



US00D549785S

(12) **United States Design Patent**
Luciano, Jr. et al.

(10) **Patent No.:** **US D549,785 S**

(45) **Date of Patent:** **** Aug. 28, 2007**

(54) **WIDE-SCREEN GAMING MACHINE**

(75) Inventors: **Robert A. Luciano, Jr.**, Las Vegas, NV
(US); **Gordon H. Myers**, Las Vegas,
NV (US)

(73) Assignee: **Bally Gaming, Inc.**, Las Vegas, NV
(US)

(**) Term: **14 Years**

(21) Appl. No.: **29/248,671**

(22) Filed: **Aug. 28, 2006**

(51) **LOC (8) Cl.** **21-03**

(52) **U.S. Cl.** **D21/370; D21/329**

(58) **Field of Classification Search** D21/36-371;
D14/307, 336, 900-902; 463/16-17, 20,
463/25, 46-47

See application file for complete search history.

(56) **References Cited**

U.S. PATENT DOCUMENTS

4,614,342 A * 9/1986 Takashima 463/42
D460,496 S * 7/2002 Cole D21/369

6,688,984 B2 * 2/2004 Cole 463/46
6,848,991 B2 * 2/2005 Kusuda 463/6
D508,692 S * 8/2005 Morisawa D14/336
6,997,810 B2 * 2/2006 Cole 463/46

* cited by examiner

Primary Examiner—Sandra L. Morris

(74) *Attorney, Agent, or Firm*—Steptoe & Johnson LLP

(57) **CLAIM**

The ornamental design for a wide-screen gaming machine,
as shown and described.

DESCRIPTION

FIG. 1 is a perspective view of a gaming machine, showing
my new design;

FIG. 2 is an enlarged top view thereof;

FIG. 3 is a front elevational view thereof;

FIG. 4 is a right side elevational view thereof; and,

FIG. 5 is a rear elevational view thereof.

Broken lines illustrate features or environmental compo-
nents that are not part of the design sought to be patented.

1 Claim, 5 Drawing Sheets

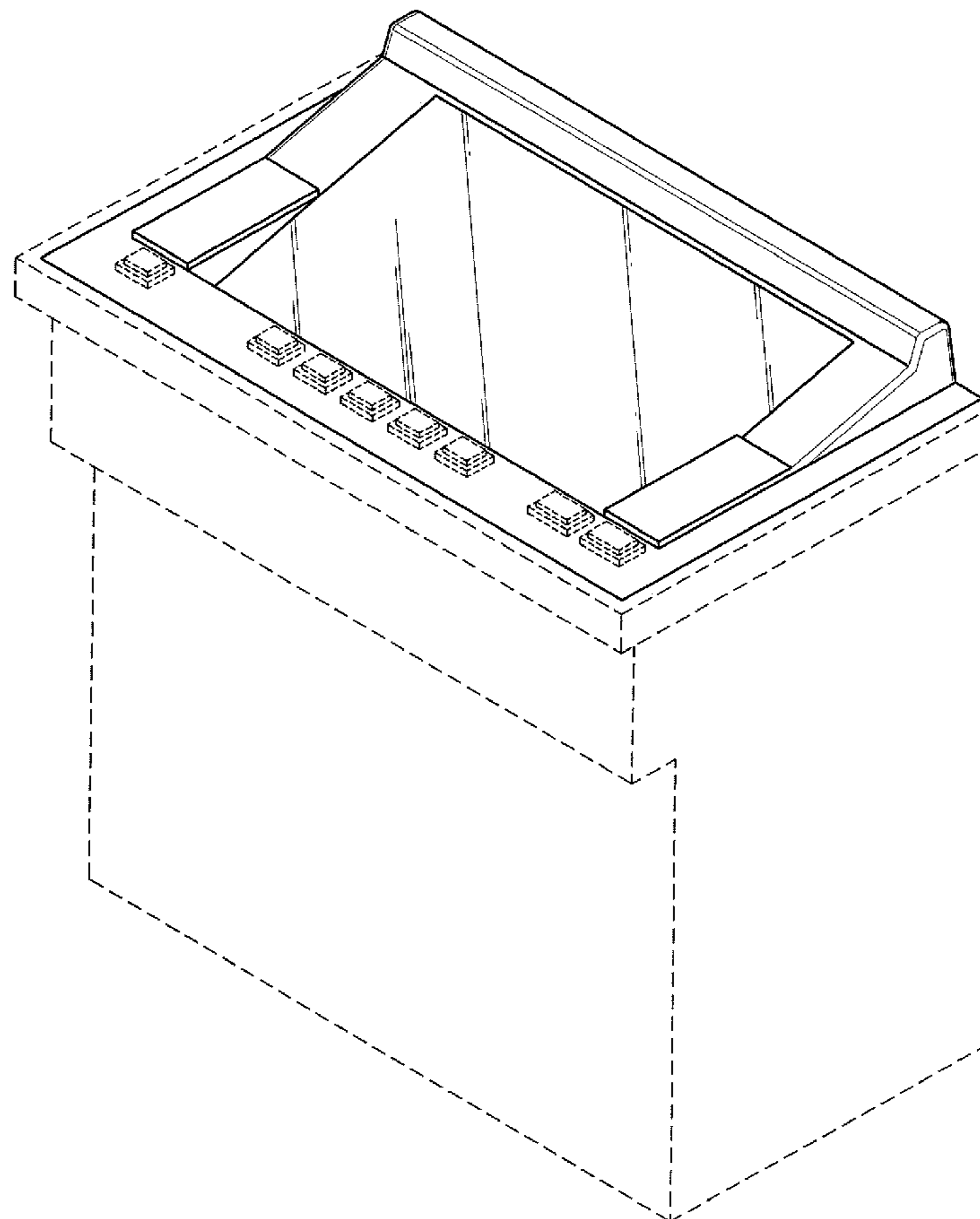
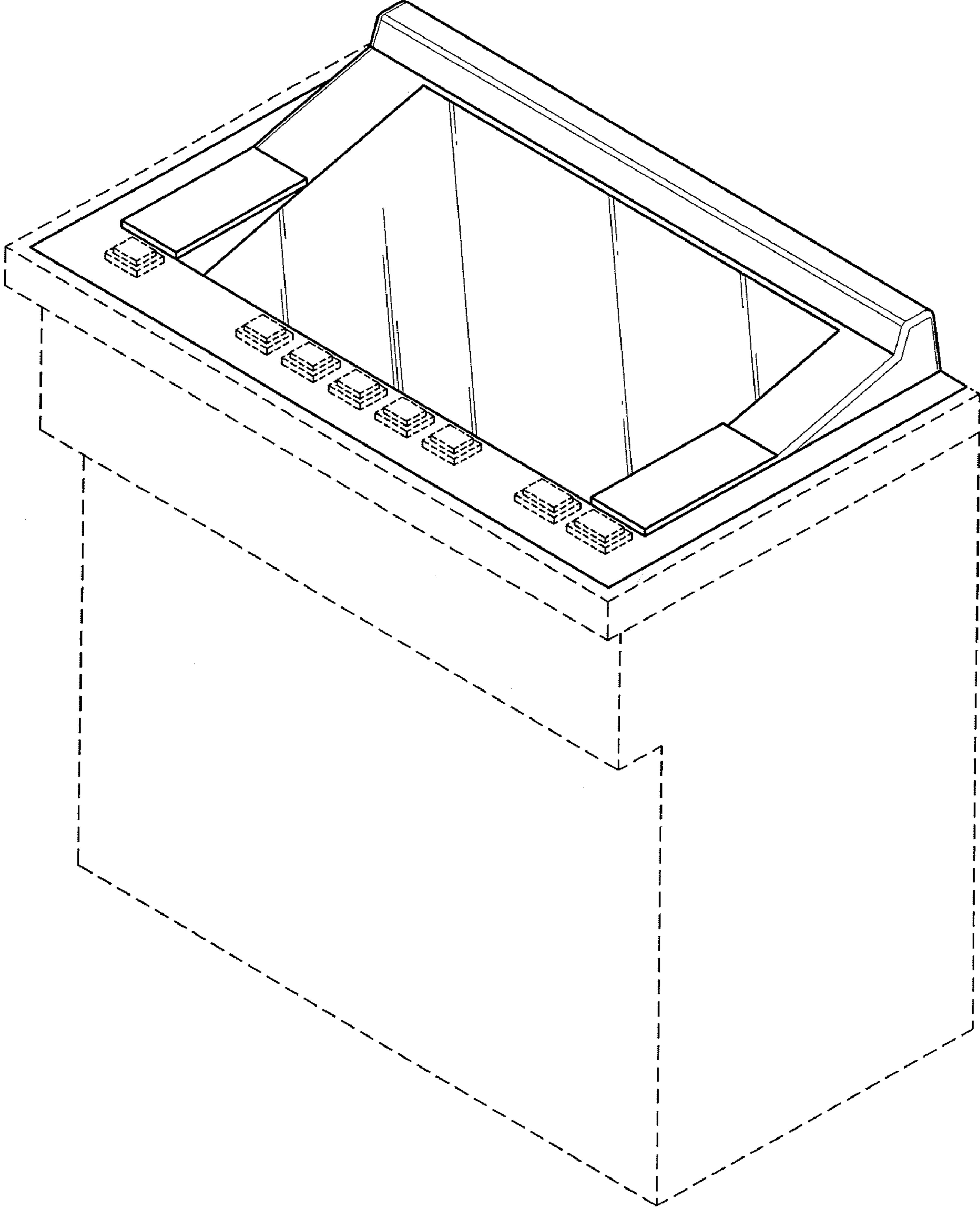


FIG. 1



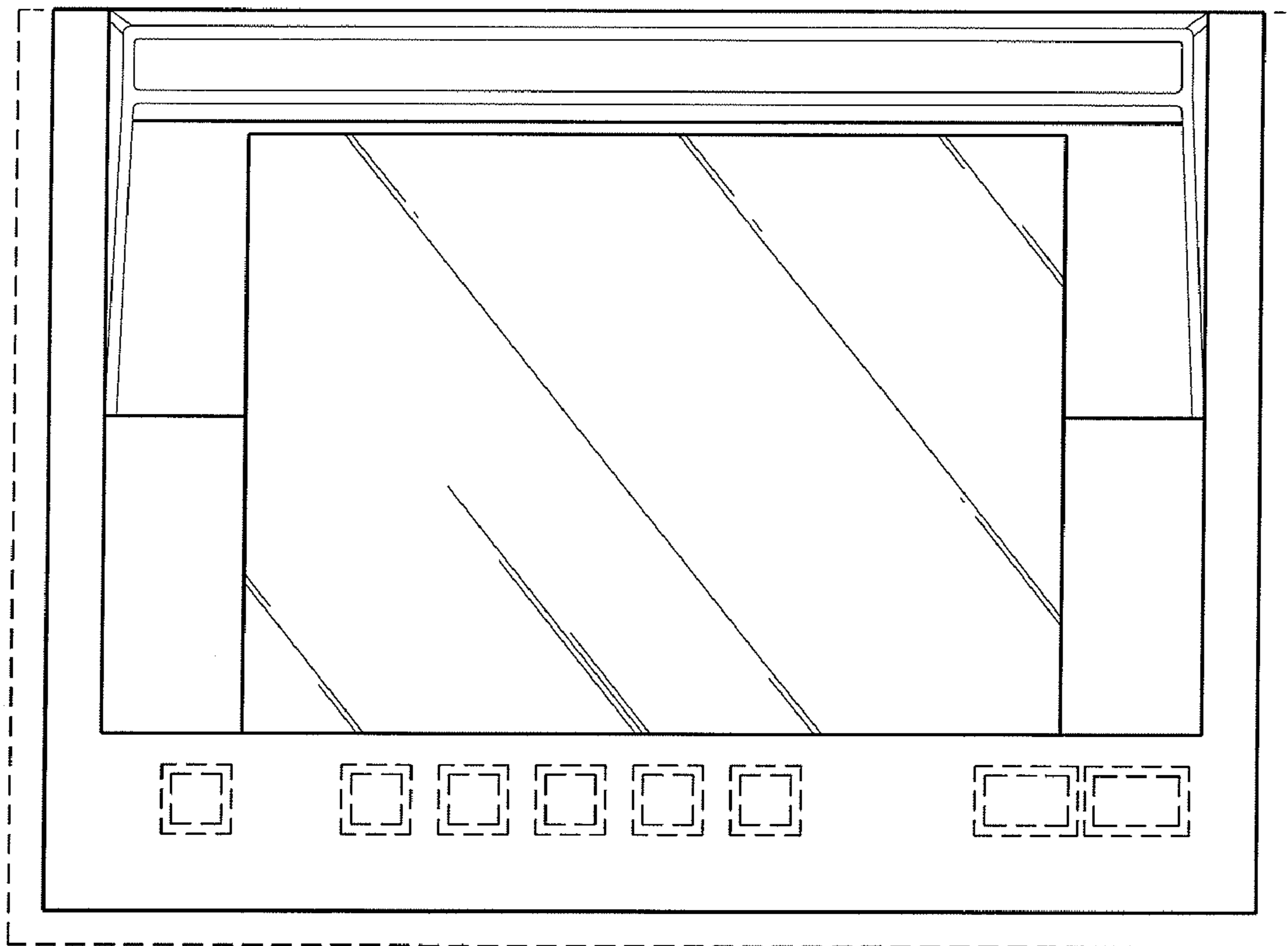


FIG. 2

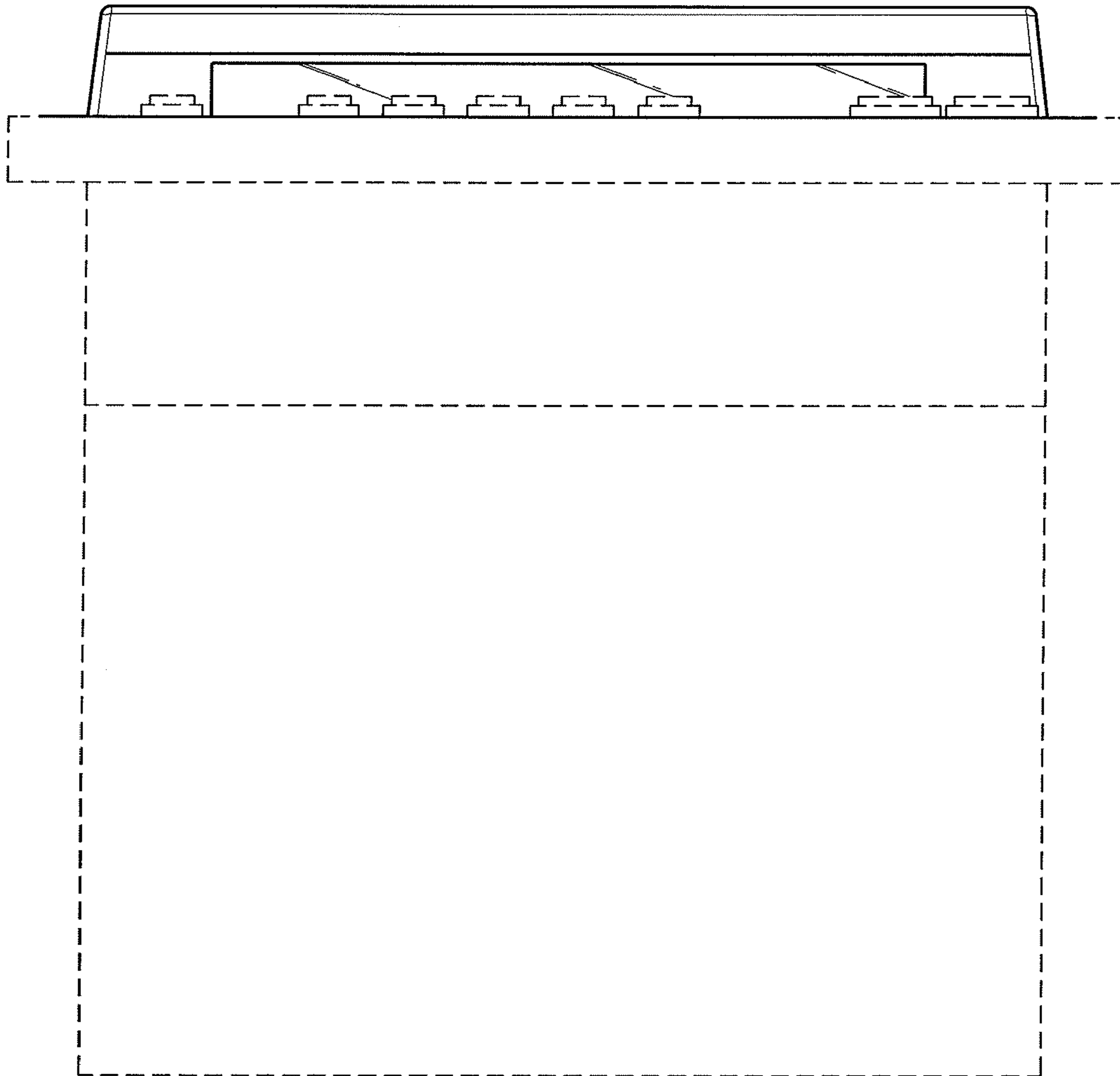


FIG. 3

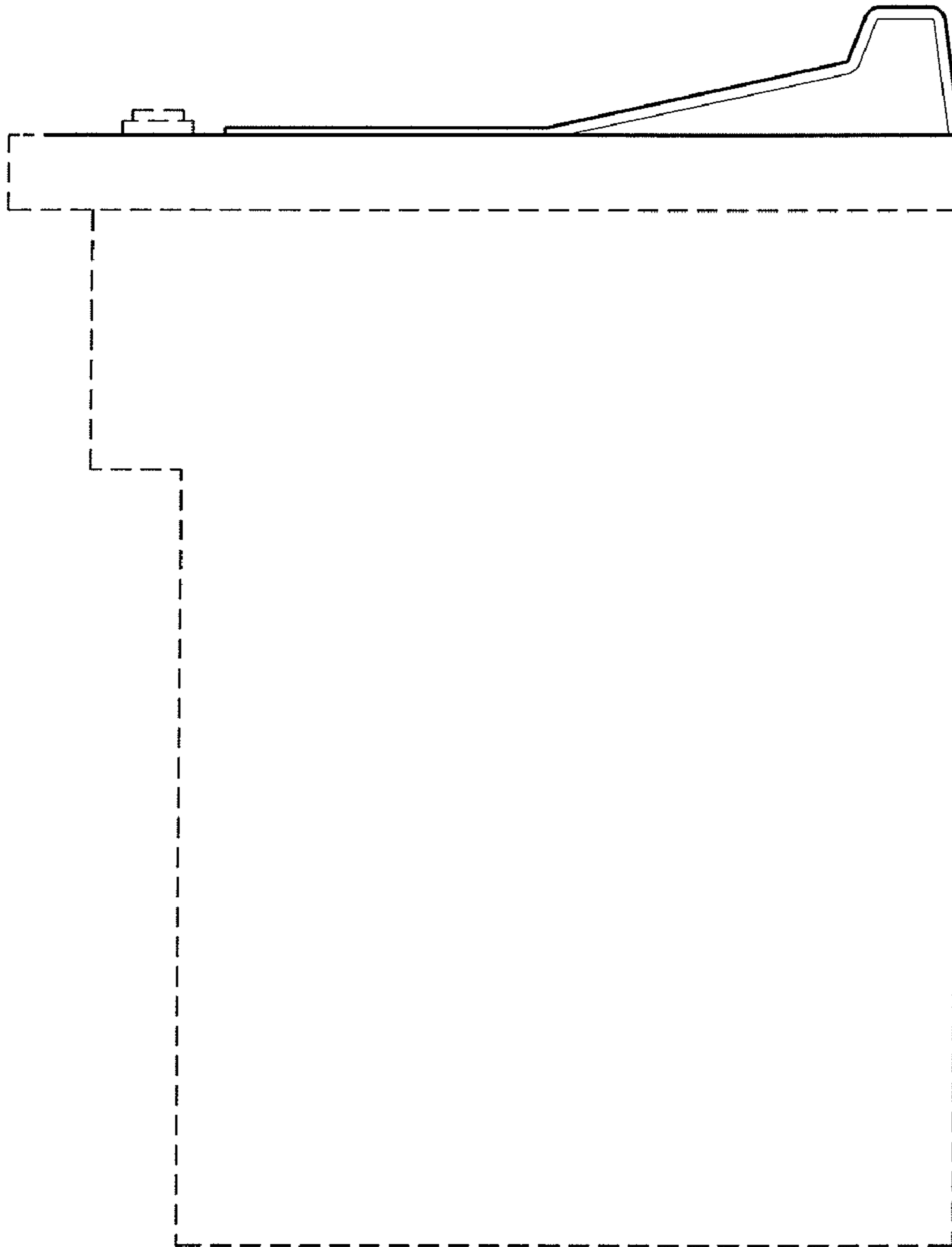


FIG. 4

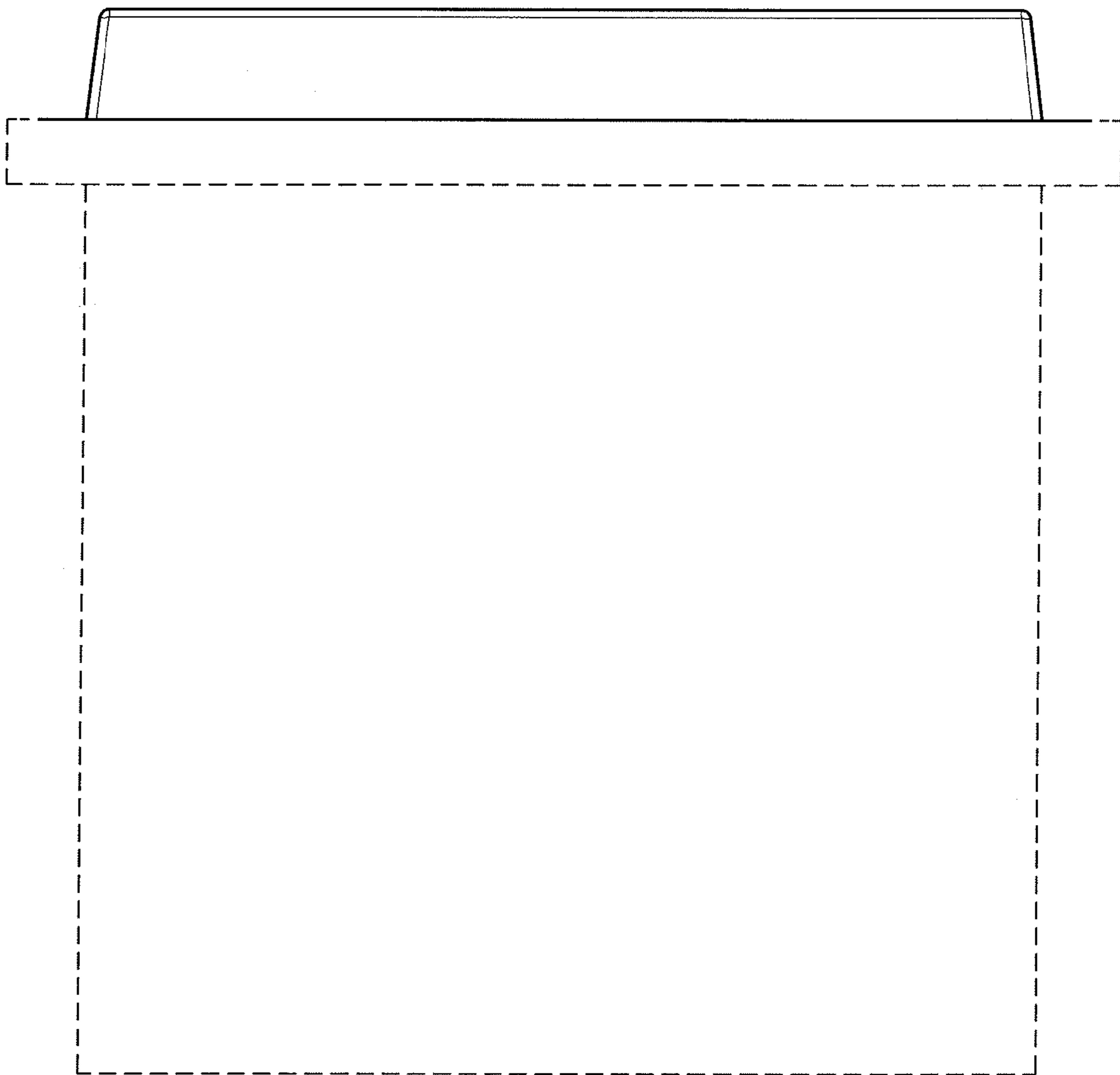


FIG. 5