

US00D549783S

(12) **United States Design Patent** (10) **Patent No.:** **US D549,783 S**
Beno (45) **Date of Patent:** **** Aug. 28, 2007**

(54) **DISPLAY BOARD**

(75) Inventor: **Steven J. Beno**, Gurnee, IL (US)

(73) Assignee: **ACCO Brands USA LLC**,
Lincolnshire, IL (US)

(**) Term: **14 Years**

(21) Appl. No.: **29/241,509**

(22) Filed: **Oct. 28, 2005**

(51) **LOC (8) Cl.** **20-03**

(52) **U.S. Cl.** **D20/10**

(58) **Field of Classification Search** D20/10,
D20/13, 17, 22, 27, 40, 42, 43, 99; 40/200,
40/202, 204, 207, 546, 564, 584, 606.9, 624,
40/642.02, 649, 657, 661, 718; 283/56, 81;
362/812; D6/300; D19/52; 434/422; D12/193;
D14/374

See application file for complete search history.

(56) **References Cited**

U.S. PATENT DOCUMENTS

227,662 A * 5/1880 Thompson 434/422
D39,640 S * 10/1908 Eustis D6/300
1,844,545 A * 2/1932 Donaldson 40/624
2,501,474 A * 3/1950 Martin 40/202
3,047,970 A * 8/1962 Bleiberg 40/661

(Continued)

OTHER PUBLICATIONS

Umbra Swipeboard (printed Apr. 7, 2006), <http://www.umbra.com/ustore/product.do?product=035702&colour=060>, p. 1.
Franken Dry Erase Board (Date Unknown), p. 1.
(Manufacturer Unknown) (Date Unknown), p. 1.
Topdeq, Nice Notice Marker Board (printed Apr. 7, 2006), http://www.topdeq.com/topdeq/product.do?catid=us_90&prodid=pp_NICE+NOTICE, p. 1.
Cristallo Office Signs (Date Unknown), p. 1.

The Board Dudes Clear Acrylic Dry Erase Board (printed Apr. 7, 2006), <http://store.yahoo.com/boarddudesdirect/clacdryerbo1.html>, pp. 1 & 2.

Primary Examiner—Robert M. Spear
Assistant Examiner—Mary Ann Calabrese

(74) *Attorney, Agent, or Firm*—Michael Best & Friedrich LLP

(57) **CLAIM**

The ornamental design for a display board, as shown and described.

DESCRIPTION

FIG. 1 is a perspective view of a display board showing my new design;

FIG. 2 is a plan view of the display board of FIG. 1;

FIG. 3 is a side elevational view of the display board of FIGS. 1 and 2, the opposite side view being the mirror image;

FIG. 4 is a right side elevational view of the display board of FIGS. 1–3, the opposite side view being the mirror image;

FIG. 5 is a bottom view of the display board of FIGS. 1–4;

FIG. 6 is a perspective view of another embodiment of a display board showing my new design;

FIG. 7 is a plan view of the display board of FIG. 6;

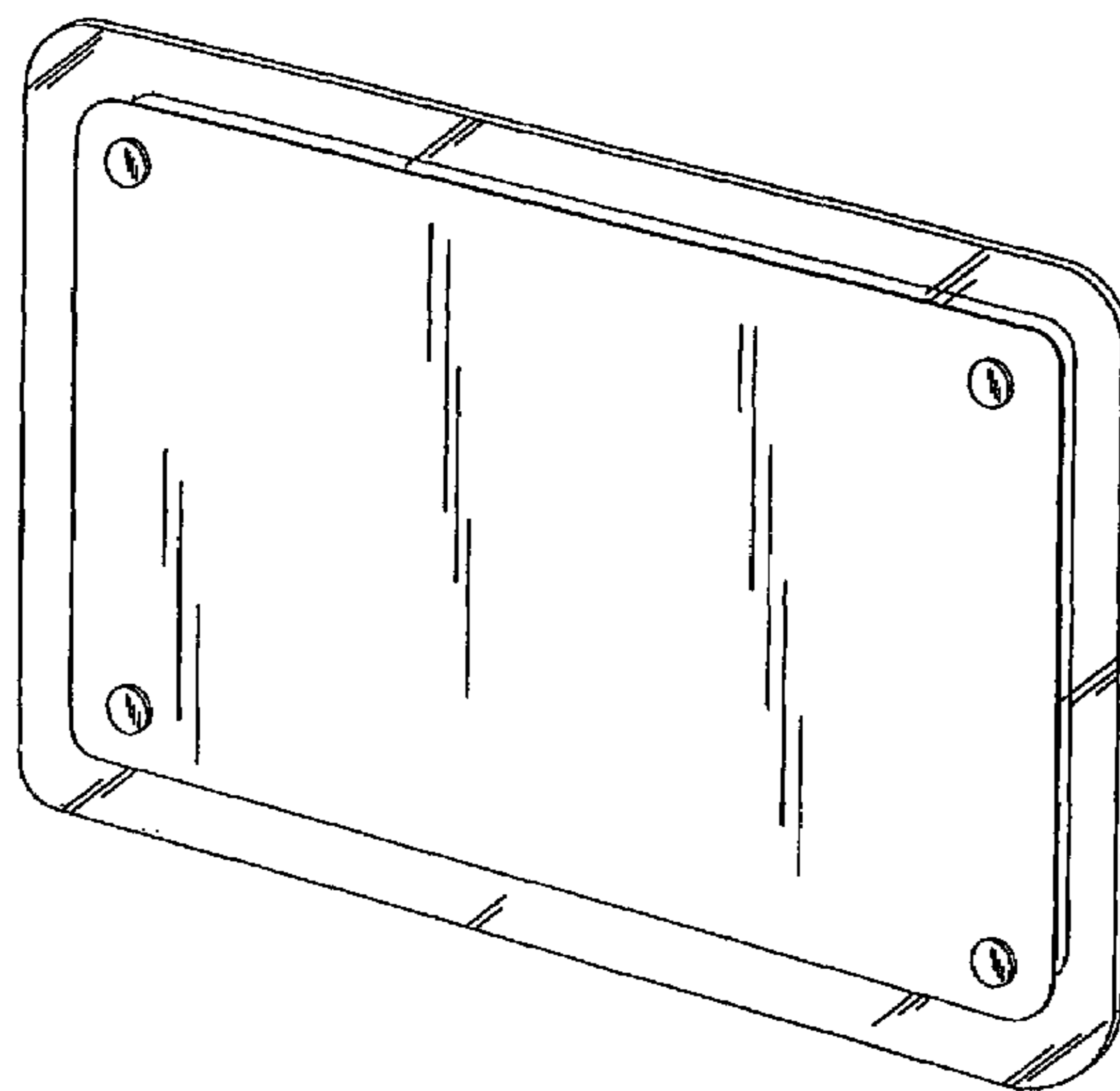
FIG. 8 is a side elevational view of the display board of FIGS. 6 and 7, the opposite side view being the mirror image;

FIG. 9 is a right side elevational view of the display board of FIGS. 6–8, the opposite side view being the mirror image; and,

FIG. 10 is a bottom view of the display board of FIGS. 6–9.

The broken lines are for illustration only and form no part of the claimed design.

1 Claim, 4 Drawing Sheets



US D549,783 S

Page 2

U.S. PATENT DOCUMENTS

4,161,834	A	*	7/1979	Hendricks, Jr.	40/606.09					
D280,745	S	*	9/1985	Cobb	D20/42					
4,648,189	A	*	3/1987	Michel	40/546					
D300,642	S	*	4/1989	Pawlik et al.	D20/10					
D354,087	S	*	1/1995	Dunlap et al.	D20/42					
D382,598	S	*	8/1997	Schroeppel	D20/42					
D393,001	S	*	3/1998	Mayo	D19/52					
D399,264	S	*	10/1998	Klink	D20/42					
D427,641	S	*	7/2000	Palmer	D20/42					
D443,655	S	*	6/2001	Chaikel et al.	D20/27					
6,263,604	B1	*	7/2001	Williams	40/718					
D489,031	S	*	4/2004	Leibman	D12/193					
D506,074	S	*	6/2005	Chen et al.	D6/300					
D519,117	S	*	4/2006	Lewis	D14/374					
2005/0132625	A1	*	6/2005	Schwester	40/564					

* cited by examiner

FIG. 1

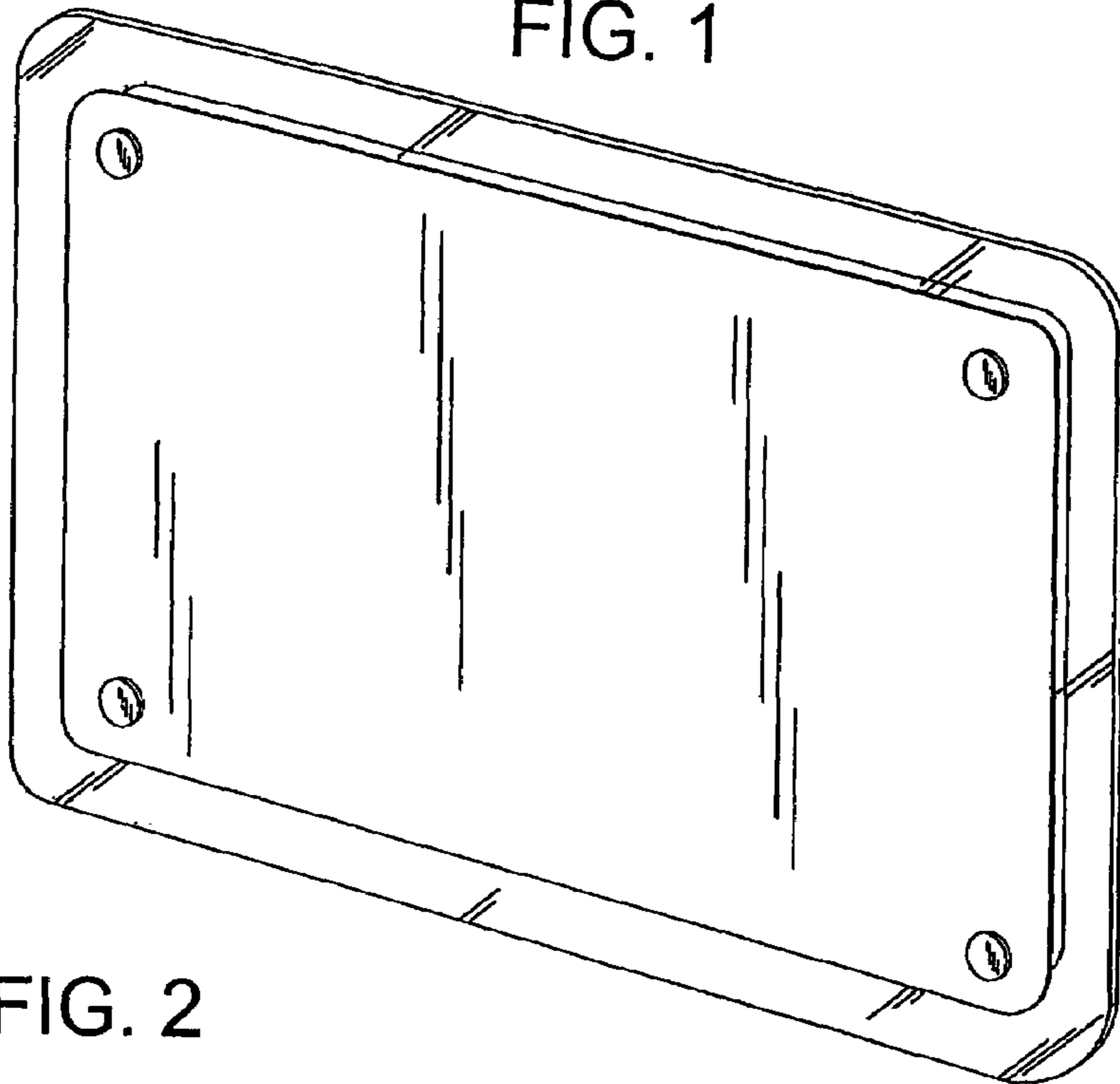


FIG. 2

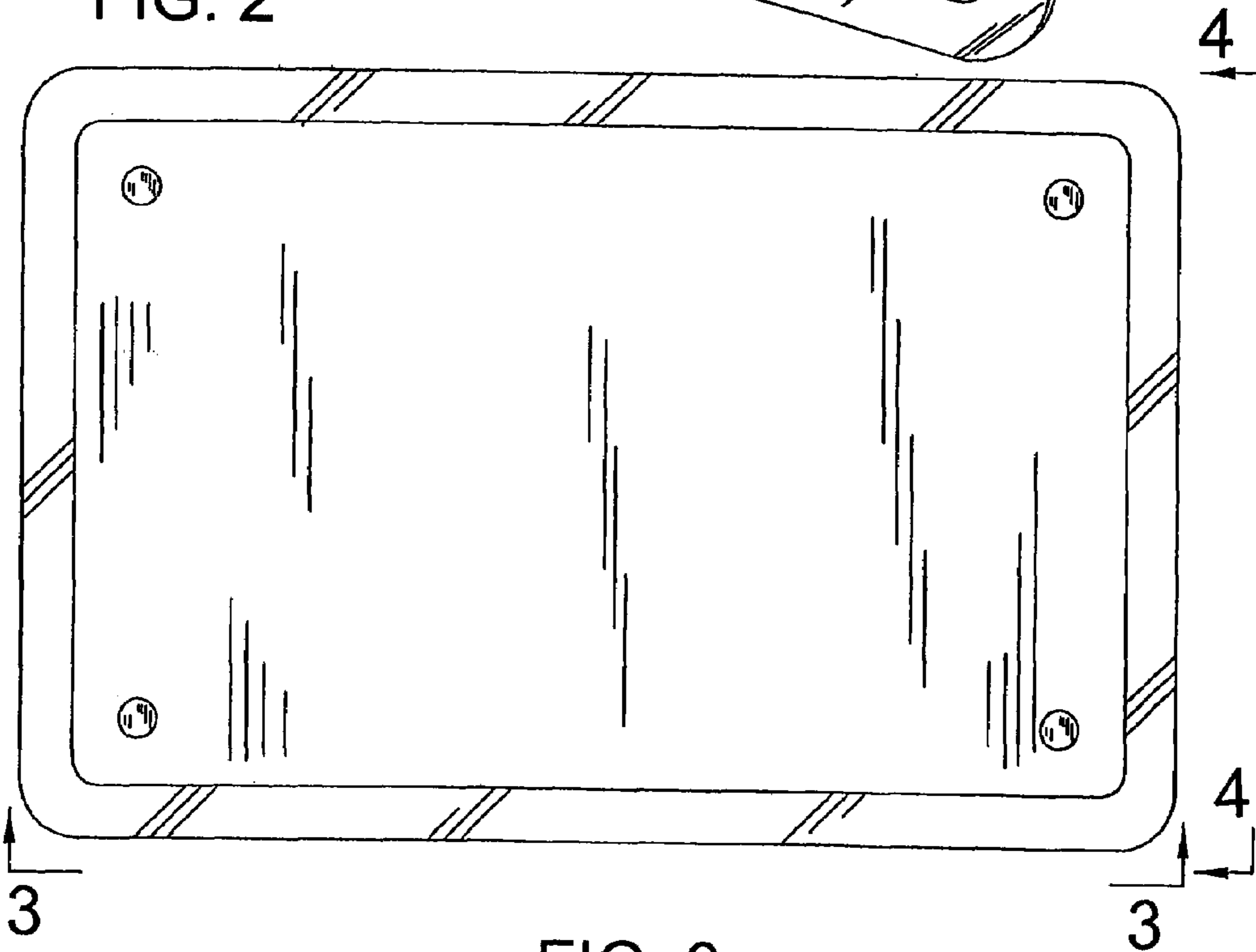


FIG. 3

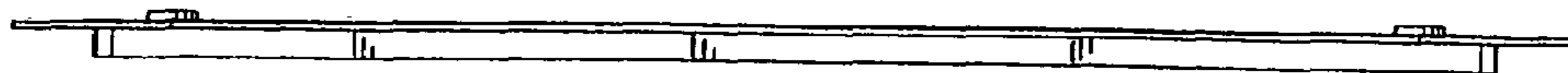


FIG. 4

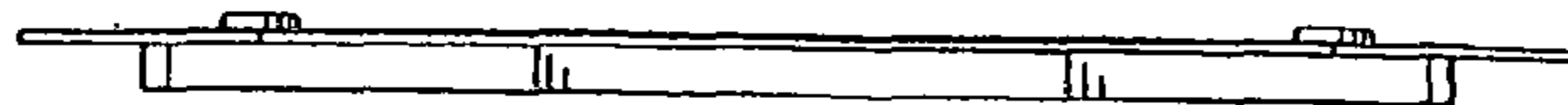


FIG. 5

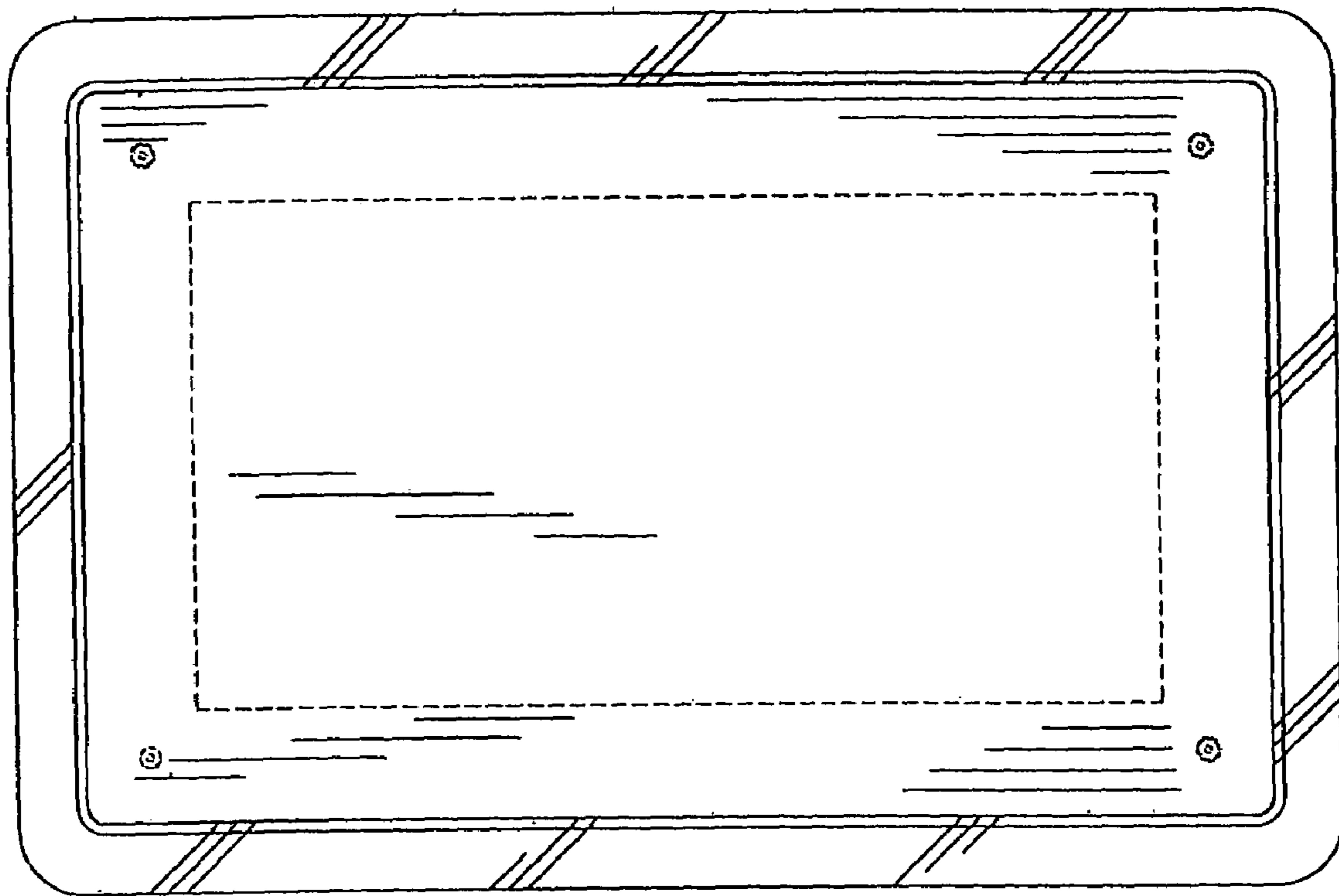


FIG. 6

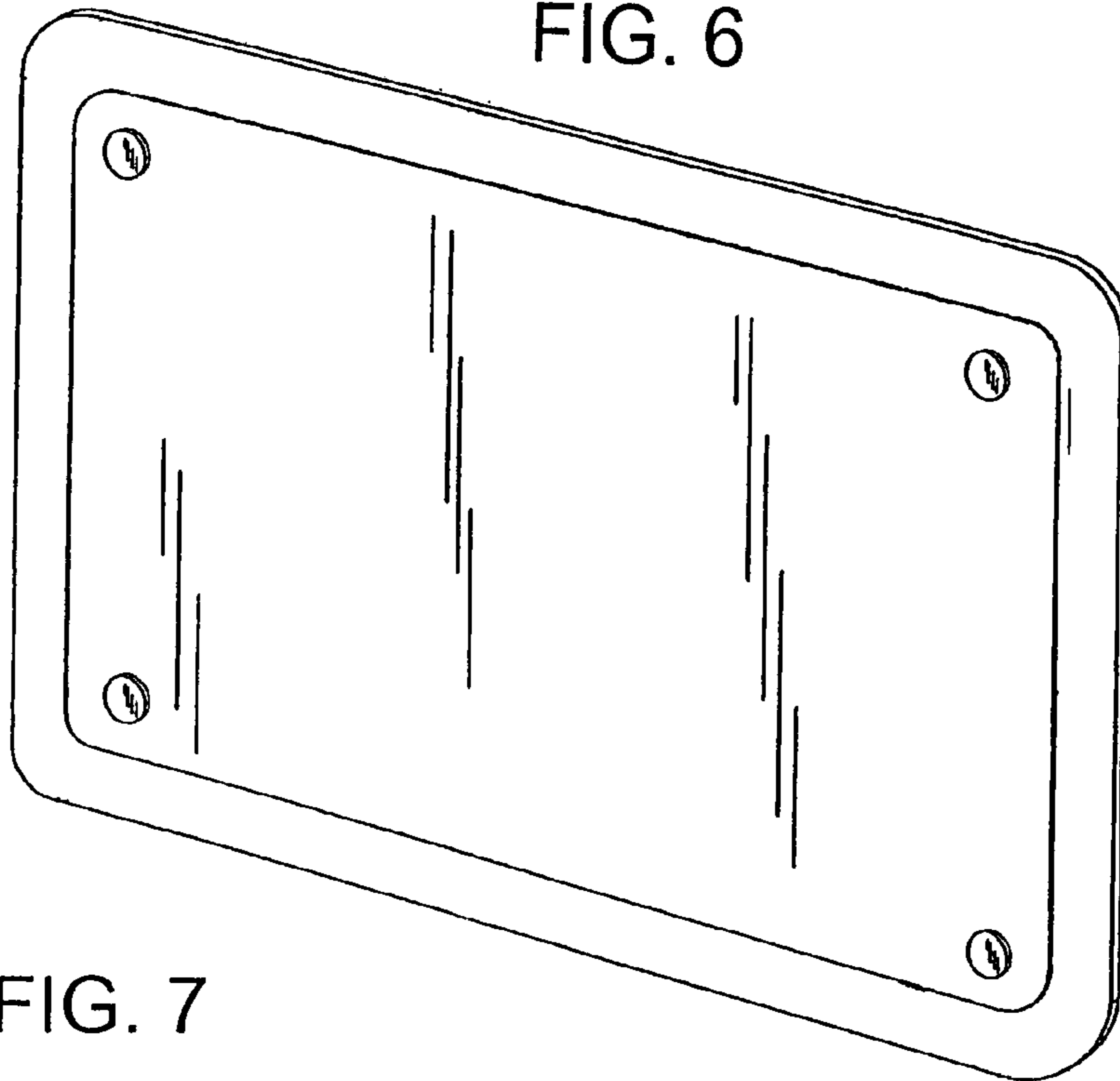
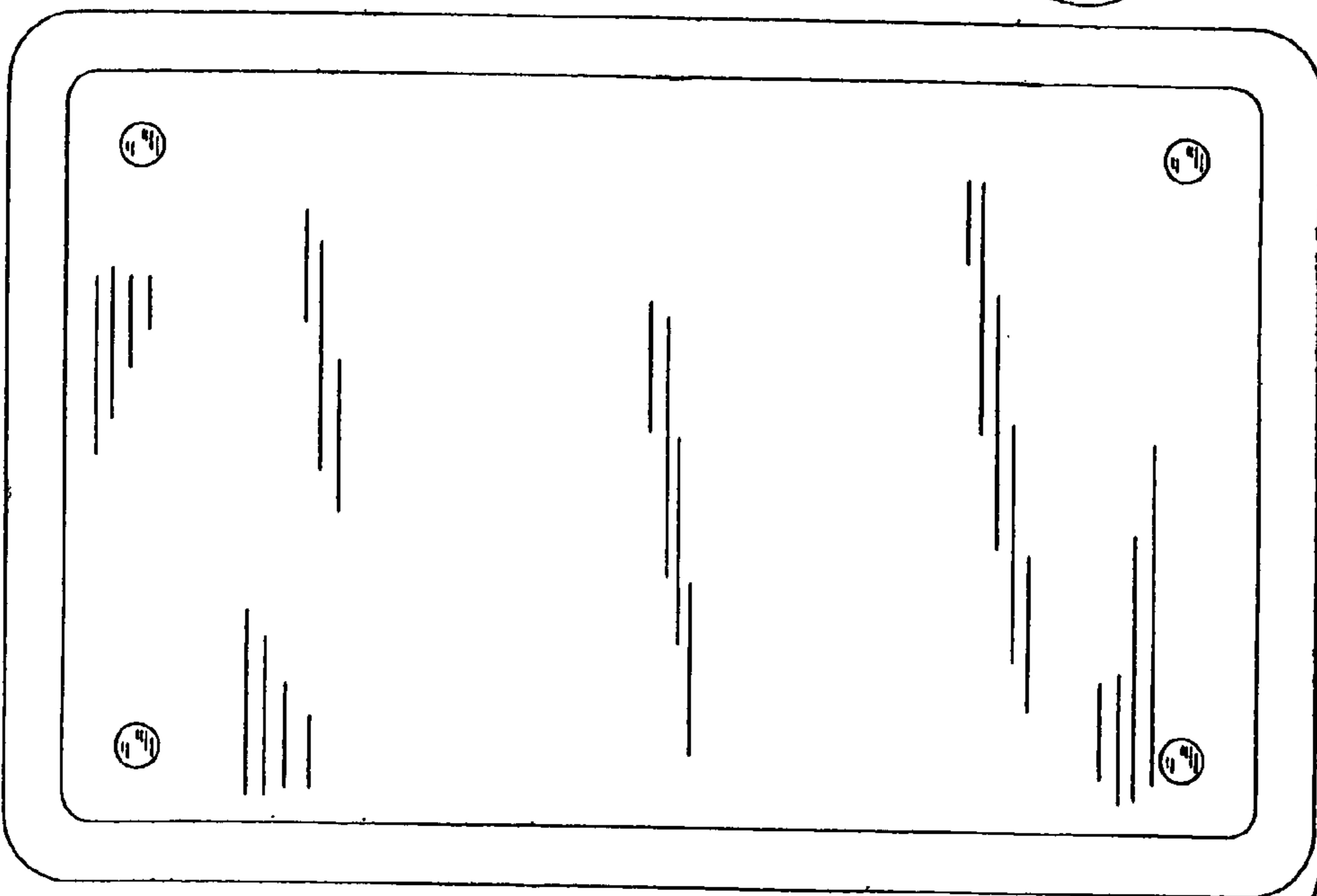


FIG. 7



8

8

9

9

FIG. 8

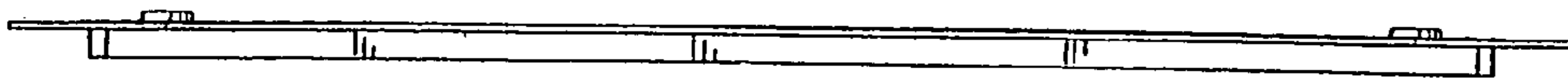


FIG. 9

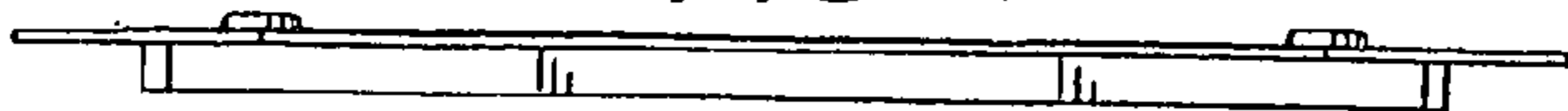


FIG. 10

