



US00D549778S

(12) **United States Design Patent** (10) **Patent No.:** **US D549,778 S**
Kent et al. (45) **Date of Patent:** **** Aug. 28, 2007**

(54) **PEN**
(75) **Inventors:** **Michael Kent**, Cumberland, RI (US);
William D. Hester, Meriden, CT (US);
David Gerard D'Angelo, Mendon, MA (US)
(73) **Assignee:** **Staples the Office Superstore LLC**, Framingham, MA (US)

5,911,534 A 6/1999 Toyama
5,988,908 A 11/1999 Kageyama et al.
5,988,909 A 11/1999 Luke, Jr. et al.
D418,163 S 12/1999 Rosen
D425,559 S 5/2000 Beneyto
6,056,462 A 5/2000 Fukai et al.
6,057,044 A 5/2000 Rennar et al.
6,062,753 A 5/2000 Hadtke et al.

(Continued)

(**) **Term:** **14 Years**

FOREIGN PATENT DOCUMENTS

(21) **Appl. No.:** **29/260,686**

EP 000637004-0001 * 2/2007

(Continued)

(22) **Filed:** **May 31, 2006**

OTHER PUBLICATIONS

(51) **LOC (8) Cl.** **19-06**

The Staples' Sonix Retractable Ballpoint Pen, as shown on www.staples.com, viewed Jun. 1, 2007 (2 pages).*

(52) **U.S. Cl.** **D19/51**

(Continued)

(58) **Field of Classification Search** D19/35-36,
D19/41-51, 54-57; 24/11 R, 11 F, 11 P;
362/118; 401/52, 99, 100, 104-109, 192,
401/195

See application file for complete search history.

Primary Examiner—Elizabeth A. Albert
Assistant Examiner—Karen E Eldridge Powers
(74) *Attorney, Agent, or Firm*—Wolf, Greenfield & Sacks, P.C.

(56) **References Cited**

(57) **CLAIM**

U.S. PATENT DOCUMENTS

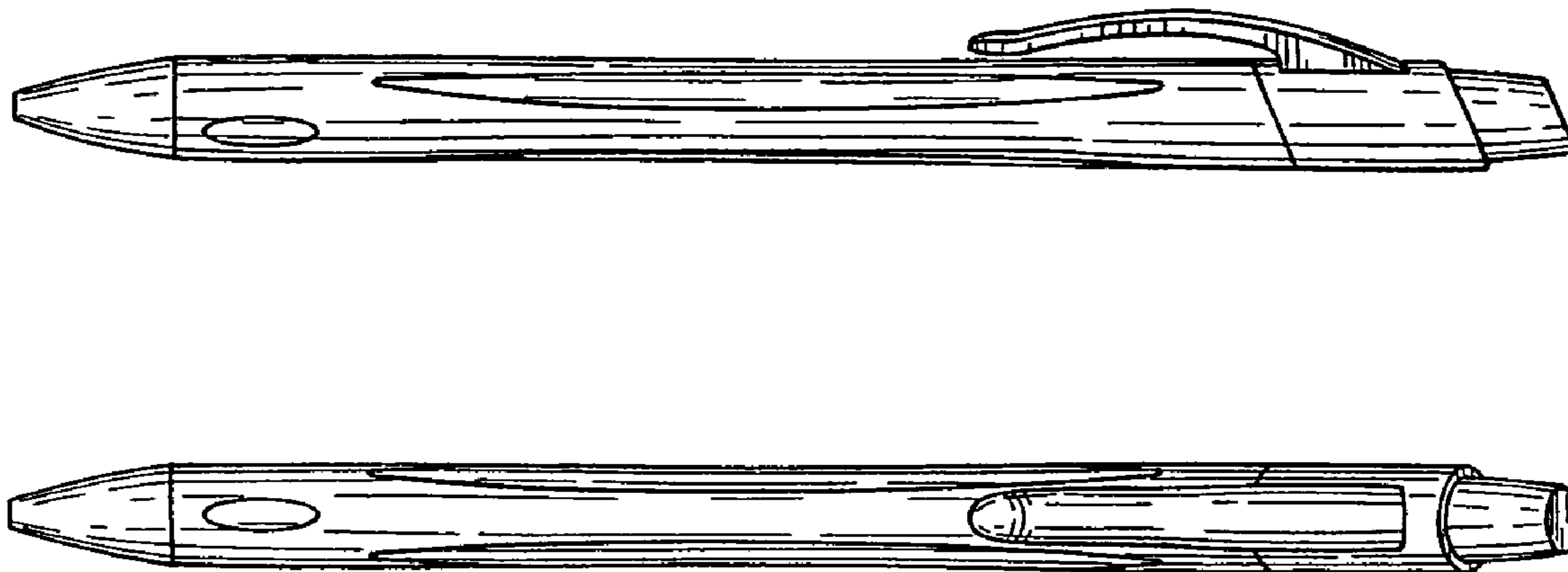
The ornamental design for a pen, as shown and described.

D120,137 S * 4/1940 Most D19/48
D177,560 S * 5/1956 Ensign et al. D19/49
D188,972 S * 10/1960 Young D19/49
4,385,025 A 5/1983 Salerno
D279,993 S * 8/1985 Oka D19/45
4,536,099 A 8/1985 Kiricoples et al.
4,904,101 A 2/1990 Petterson
4,932,800 A 6/1990 Lin et al.
5,000,599 A 3/1991 McCall et al.
D324,238 S 2/1992 Nitta
5,230,578 A 7/1993 Fuhrmann, III et al.
D359,758 S 6/1995 Inami
D388,825 S 1/1998 Kouda
D391,153 S 2/1998 Poisson et al.
5,876,134 A 3/1999 Tseng et al.

DESCRIPTION

FIG. 1 is a side, top, perspective view of the pen;
FIG. 2 is a left side view, the right side view being a mirror image thereof;
FIG. 3 is a top view;
FIG. 4 is a bottom view;
FIG. 5 is a front view; and,
FIG. 6 is a rear view.

1 Claim, 1 Drawing Sheet



US D549,778 S

Page 2

U.S. PATENT DOCUMENTS

D433,447 S 11/2000 Rosenbaum
D433,704 S 11/2000 Kouda
6,164,855 A 12/2000 Perry et al.
D436,996 S * 1/2001 Izushima D19/47
D438,566 S 3/2001 Nagel
6,203,225 B1 3/2001 Baudino et al.
D441,793 S 5/2001 Takemura
D443,896 S 6/2001 Briggl et al.
6,273,626 B1 8/2001 Yazawa
D455,174 S 4/2002 Traut et al.
6,379,065 B2 4/2002 Perry et al.
D463,822 S * 10/2002 Keda D19/48
6,488,426 B1 12/2002 Perry et al.
D475,405 S 6/2003 Cetera
D476,364 S 6/2003 Bain
D491,224 S * 6/2004 Hsieh D19/49
D491,983 S * 6/2004 Izushima D19/49
D497,388 S * 10/2004 Kit D19/36
D505,158 S 5/2005 Tessier et al.
D506,502 S 6/2005 Qiu

D508,083 S 8/2005 Cetera
D508,530 S * 8/2005 Qiu D19/51
D509,537 S 9/2005 Bianchi et al.
D509,850 S * 9/2005 Bhavnani D19/36
D513,767 S * 1/2006 Bhavnani D19/49
D534,586 S * 1/2007 Togawa D19/50
D539,346 S * 3/2007 Song D19/43
2001/0002961 A1 6/2001 Izushima
2002/0057937 A1 5/2002 Carroll et al.
2002/0192006 A1 12/2002 Vial et al.
2004/0036194 A1 2/2004 Chadwick et al.
2004/0086316 A1 5/2004 Kamamoto et al.

FOREIGN PATENT DOCUMENTS

WO WO99/48702 A1 9/1999

OTHER PUBLICATIONS

Quill Xeno Retractable Ballpoint Pens , Internet printout www.
quillcorp.com, Oct. 18, 2005.

* cited by examiner

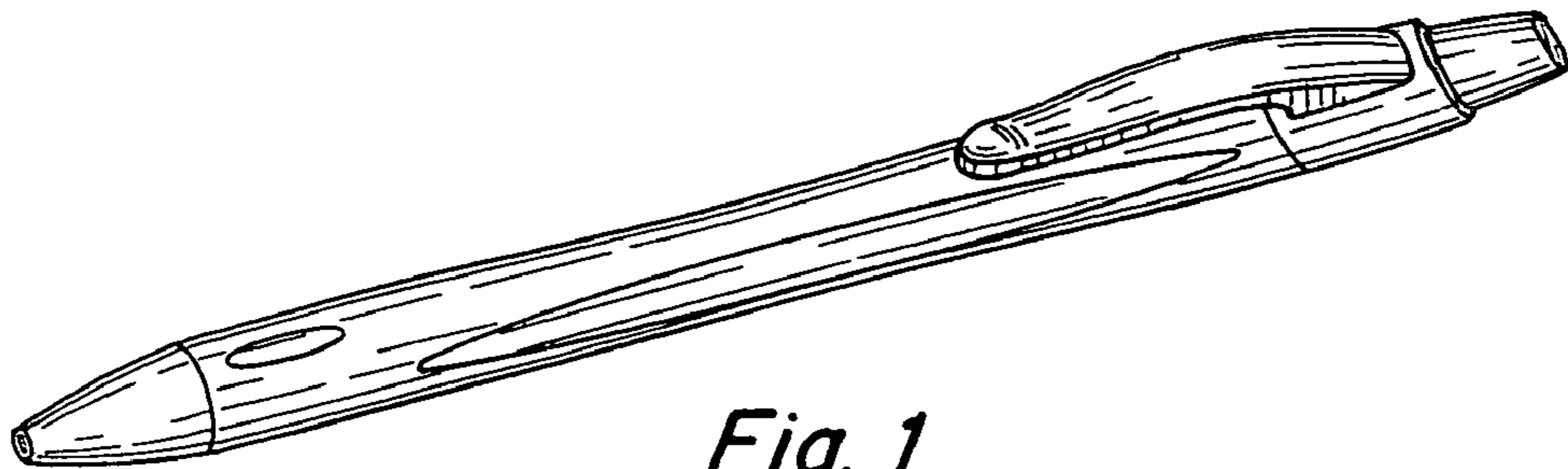


Fig. 1

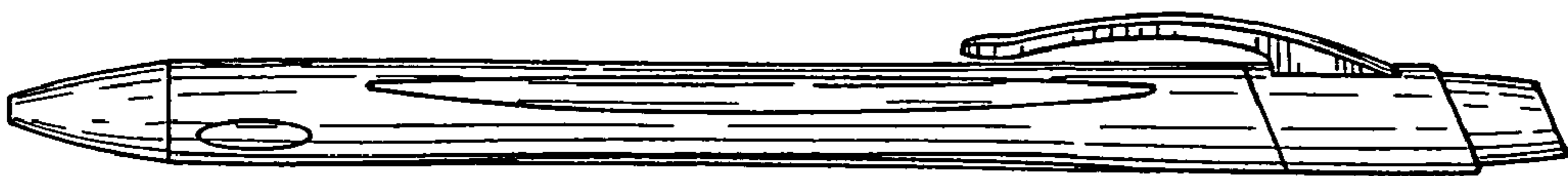


Fig. 2

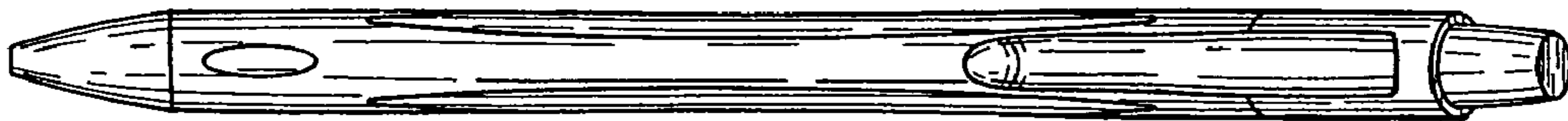


Fig. 3

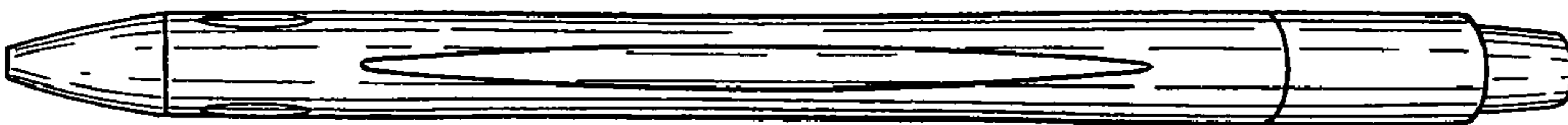


Fig. 4



Fig. 5



Fig. 6