

US00D549773S

(12) **United States Design Patent**
Sasaki et al.

(10) **Patent No.:** **US D549,773 S**

(45) **Date of Patent:** **** Aug. 28, 2007**

(54) **INK CARTRIDGE**

D516,122 S * 2/2006 Sasaki et al. D18/56
D521,063 S * 5/2006 Sasaki et al. D18/56

(75) Inventors: **Toyonori Sasaki**, Anjyo (JP);
Mitsuharu Hattori, Nagoya (JP)

* cited by examiner

(73) Assignee: **Brother Industries, Ltd.**, Aichi-Ken
(JP)

Primary Examiner—Cathy Anne MacCormac
(74) *Attorney, Agent, or Firm*—McKenna Long & Aldridge
LLP

(**) Term: **14 Years**

(57) **CLAIM**

(21) Appl. No.: **29/215,532**

We claim the ornamental design for an ink cartridge, as
shown and described.

(22) Filed: **Oct. 21, 2004**

Related U.S. Application Data

DESCRIPTION

(63) Continuation-in-part of application No. 29/174,531,
filed on Jan. 22, 2003, now abandoned.

FIG. 1 is a front elevation view of our new design;

(51) **LOC (8) Cl.** **18-02**

FIG. 2 is a top plan view thereof;

(52) **U.S. Cl.** **D18/56; 347/86**

FIG. 3 is a right side view thereof;

(58) **Field of Classification Search** D18/40,
D18/43, 56; 347/33, 49, 50, 85, 86–87; 399/110
See application file for complete search history.

FIG. 4 is a left side view thereof;

FIG. 5 is a rear elevation view thereof;

FIG. 6 is a bottom plan view thereof;

FIG. 7 is a bottom perspective view thereof;

(56) **References Cited**

FIG. 8 is a top perspective view thereof;

U.S. PATENT DOCUMENTS

FIG. 9 is a perspective view when the top cover is removed;

- D448,797 S * 10/2001 Carrese et al. D18/56
- D460,106 S * 7/2002 Yamada et al. D18/56
- D460,480 S * 7/2002 Yamada et al. D18/56
- D462,089 S * 8/2002 Trafton et al. D18/56
- D464,372 S * 10/2002 Yamada et al. D18/56
- D466,151 S * 11/2002 Shinada et al. D18/56
- D466,925 S * 12/2002 Ishizawa et al. D18/56
- D468,768 S * 1/2003 Yamada et al. D18/56
- D475,402 S * 6/2003 Nakayama et al. D18/56
- D477,020 S * 7/2003 Seino D18/56
- D489,756 S * 5/2004 Matsumoto et al. D18/56
- D489,757 S * 5/2004 Matsumoto D18/56

FIG. 10 is a top plan view of FIG. 9;

FIG. 11 is another top plan view of FIG. 9 without the press
board and film;

FIG. 12 is a perspective view of FIG. 11 without the press
board, film and sensor part when the cover is removed; and,

FIG. 13 is a top plan view of FIG. 12.

The different shading on the oval indicates that this area is
opaque and not transparent like the other areas.

1 Claim, 5 Drawing Sheets

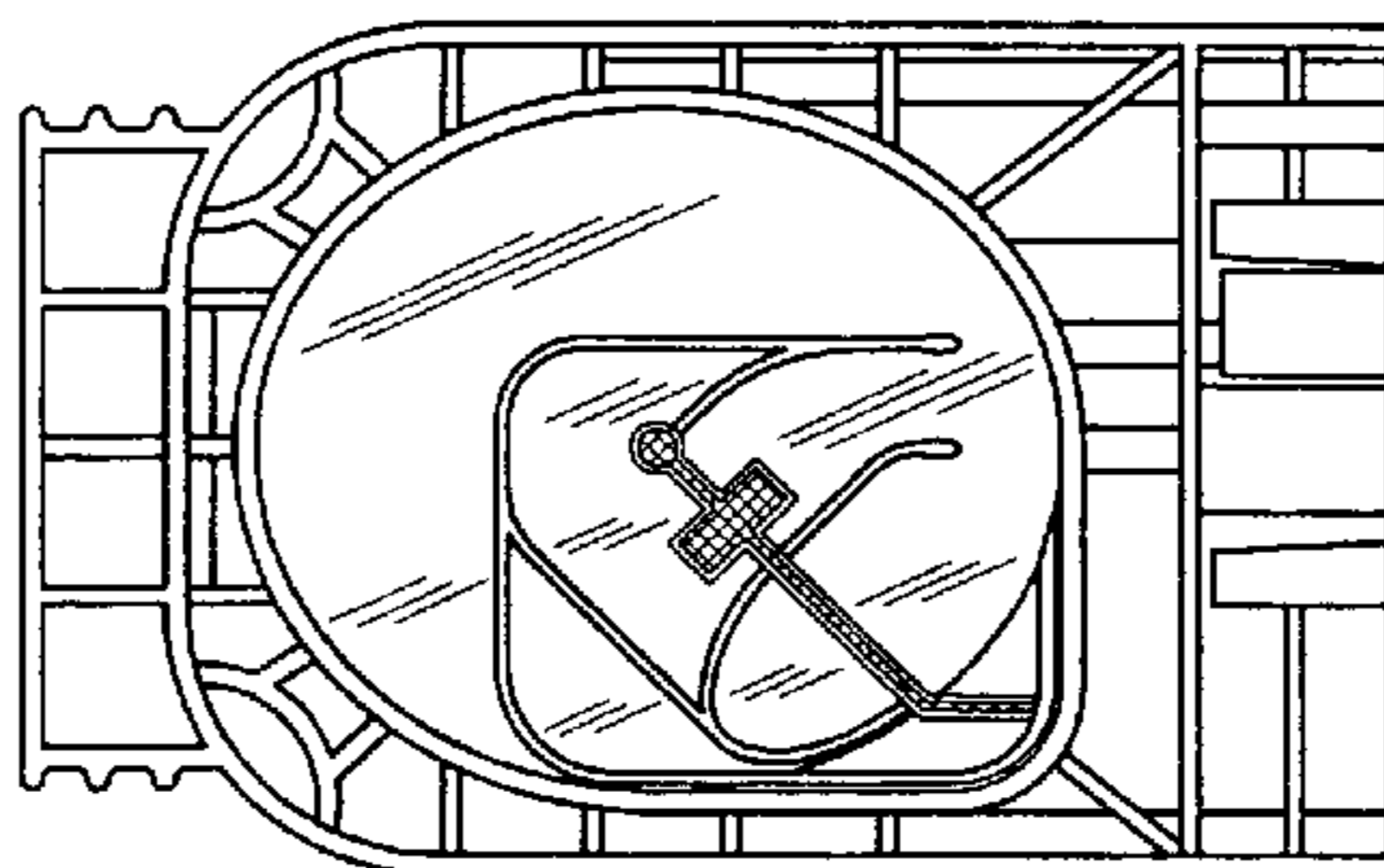
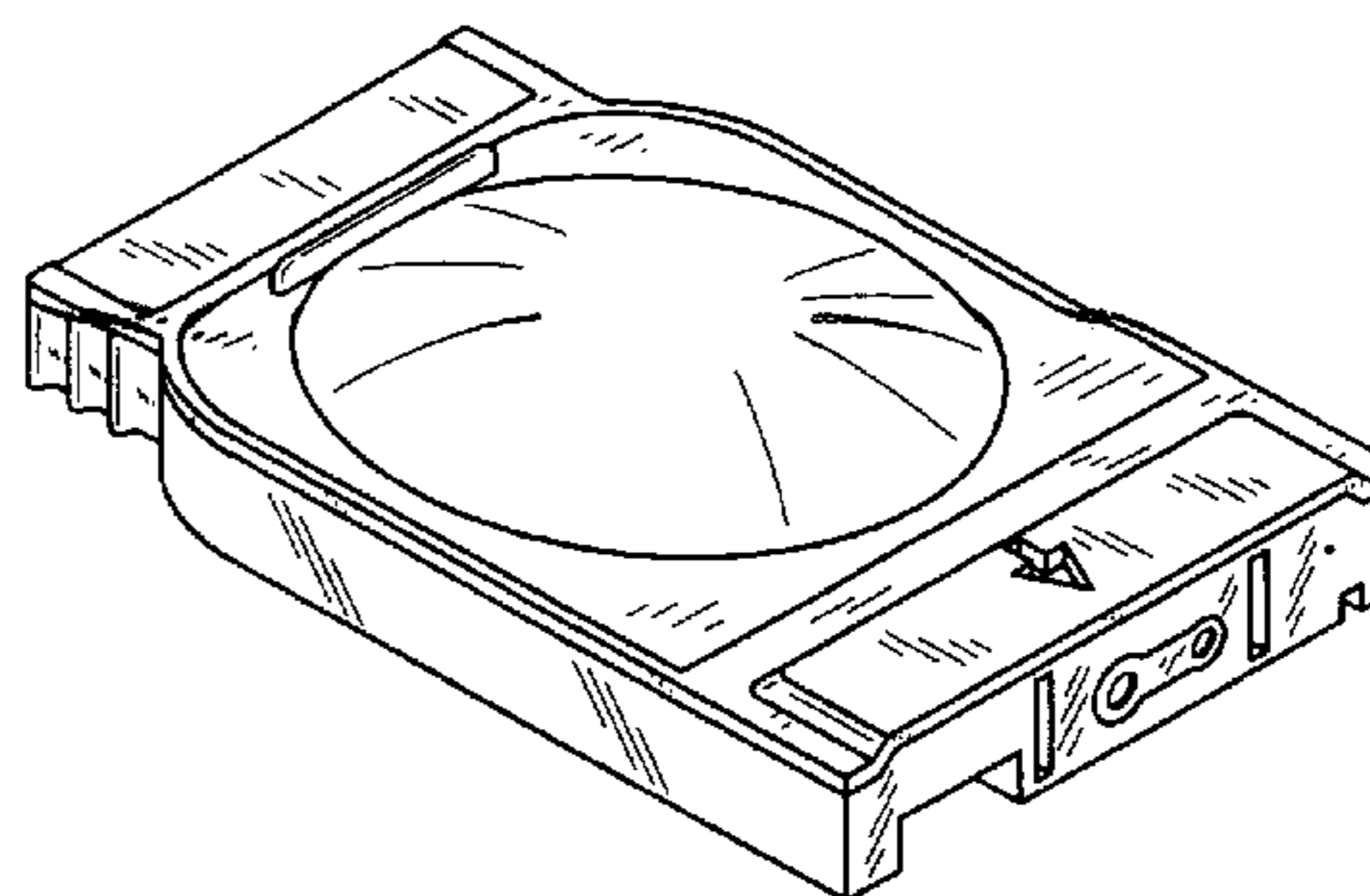
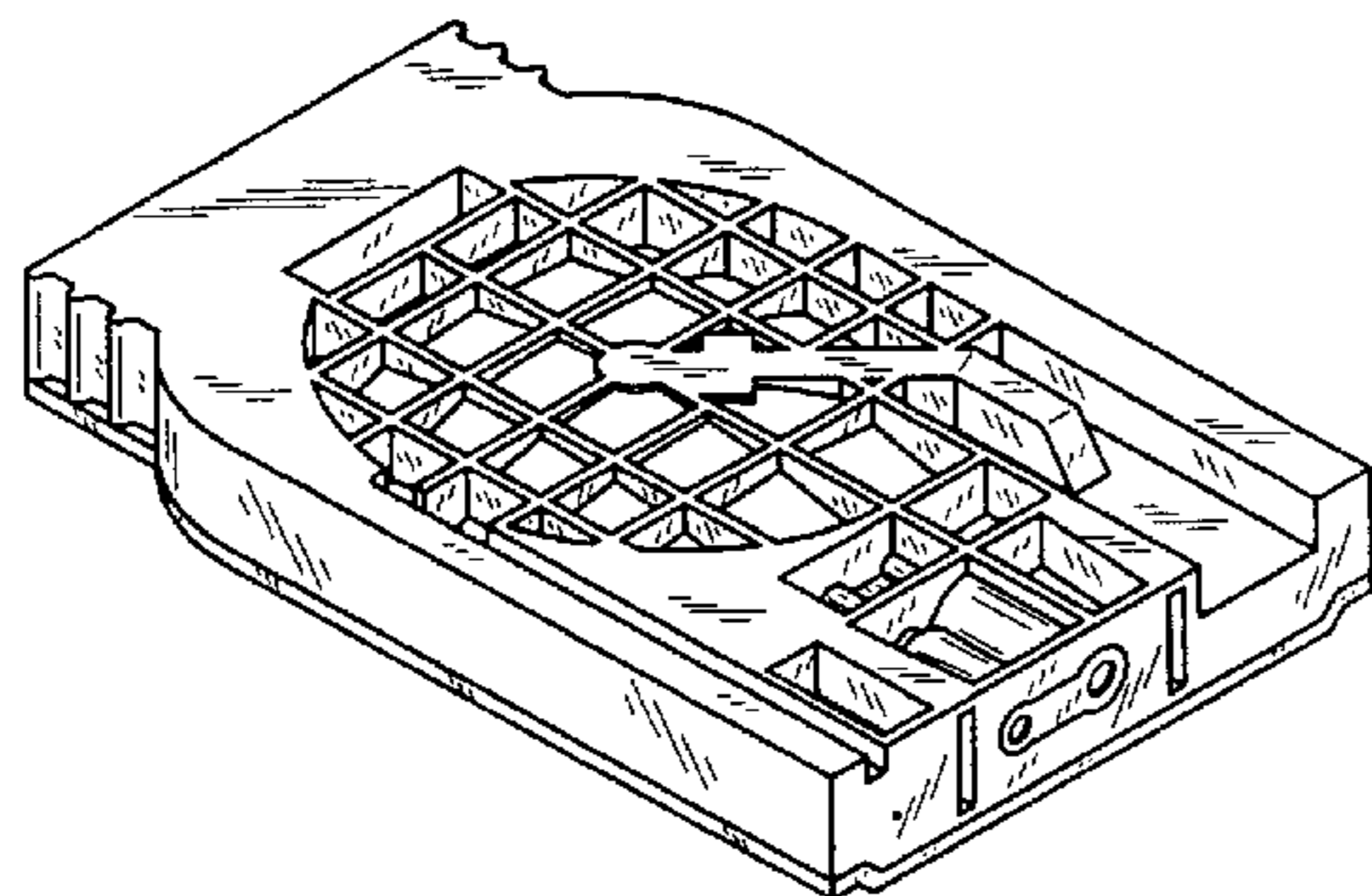


FIG. 1

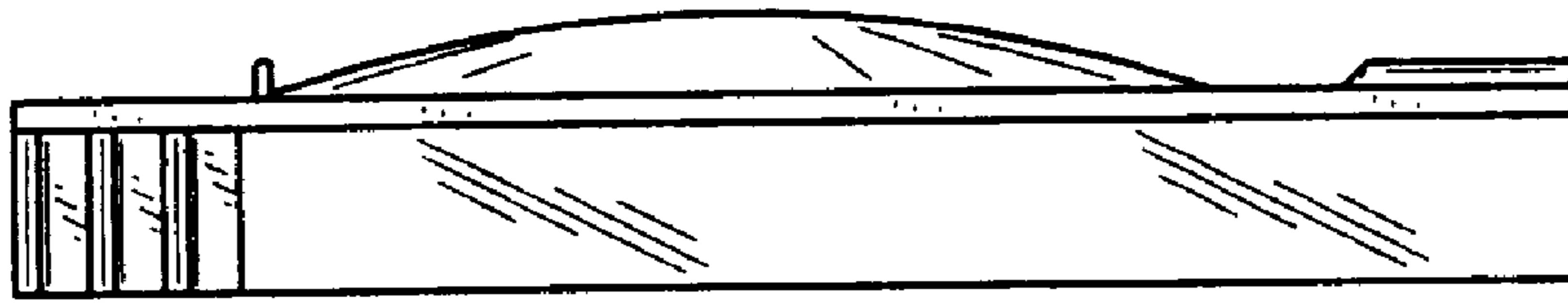


FIG. 2

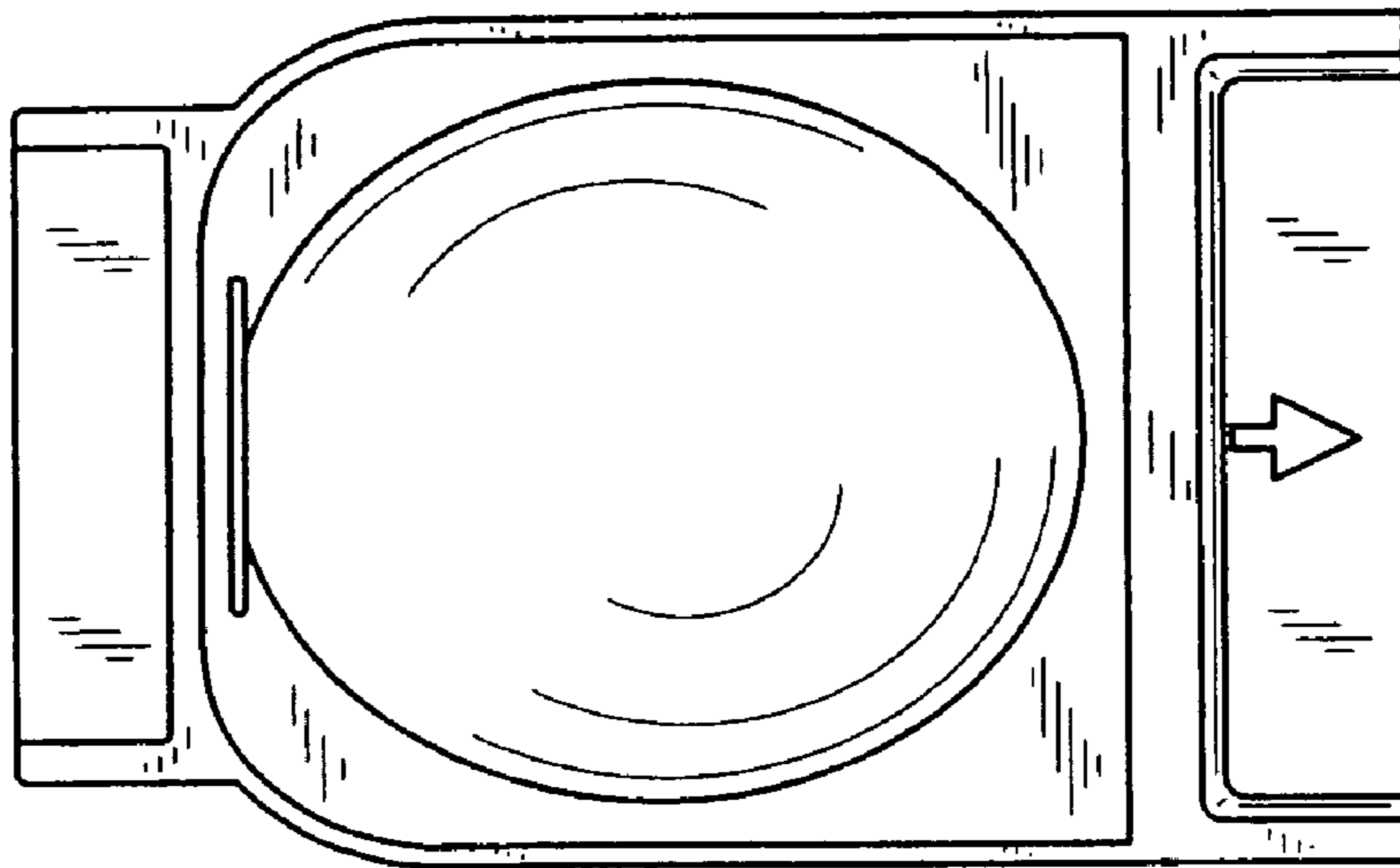


FIG. 3

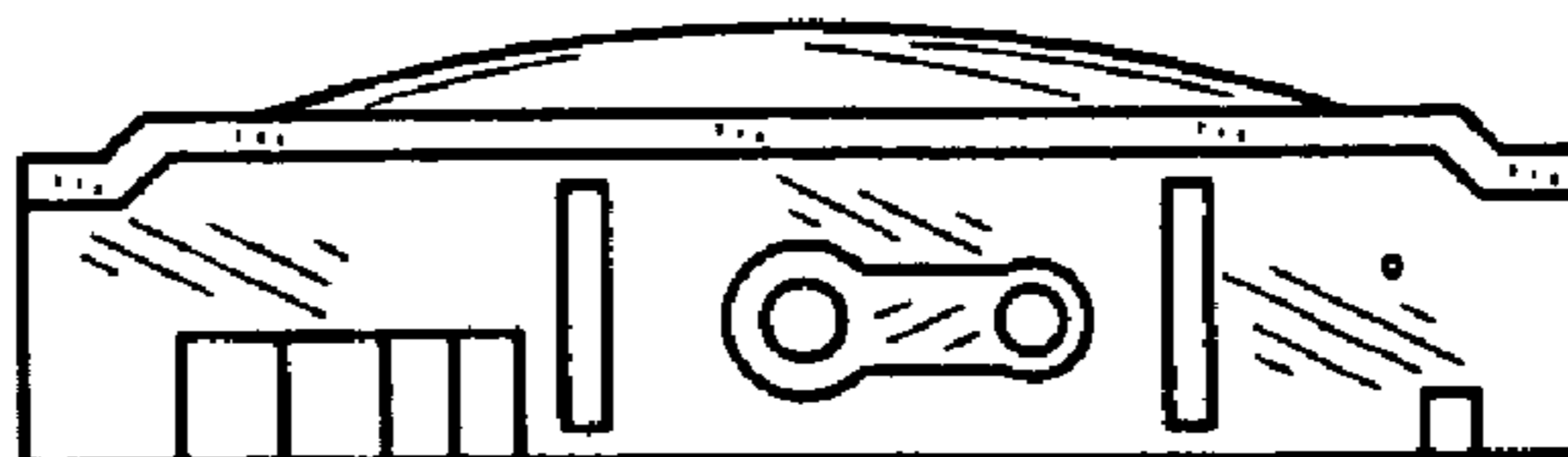


FIG. 4

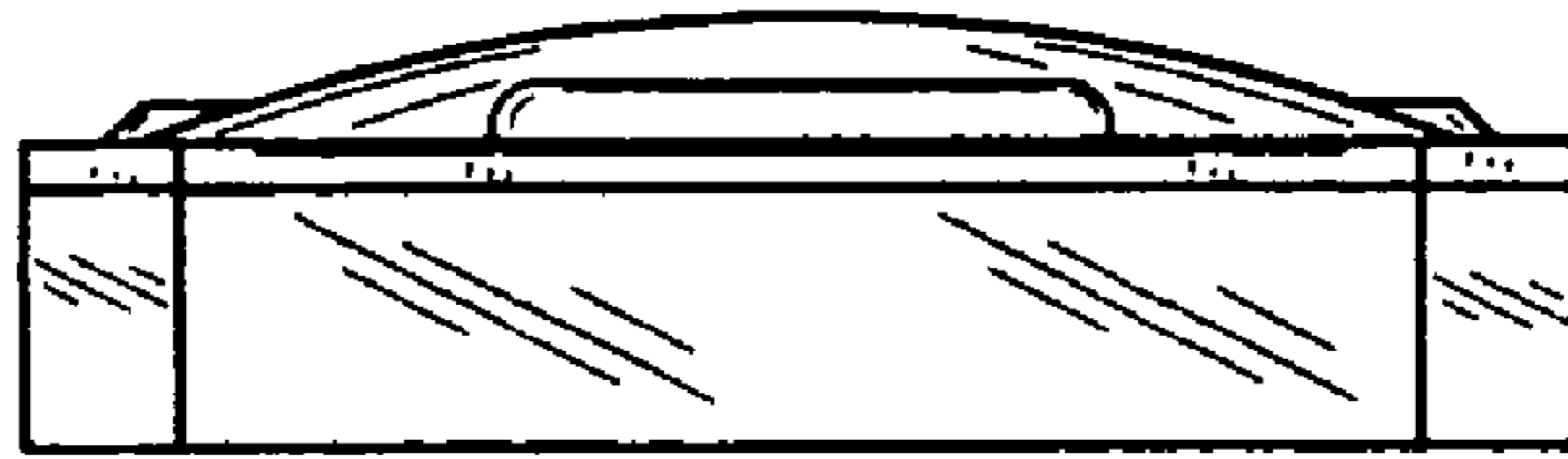


FIG. 5

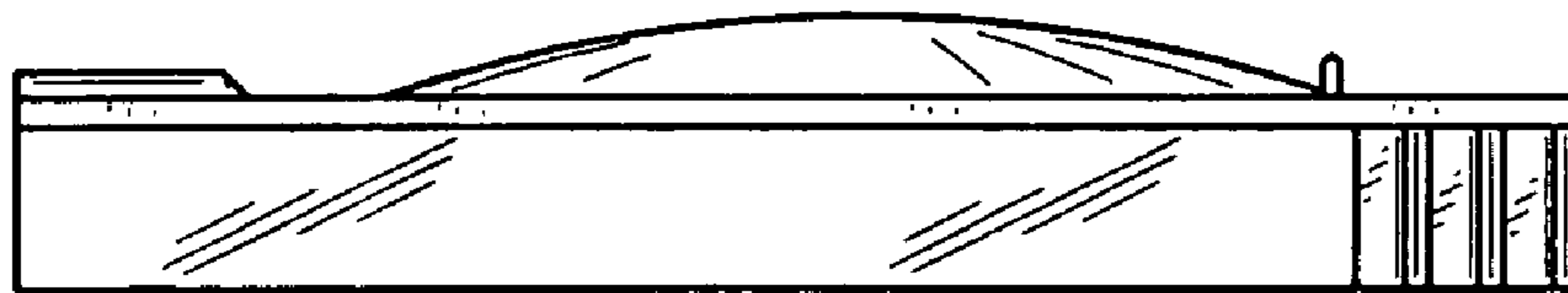


FIG. 6

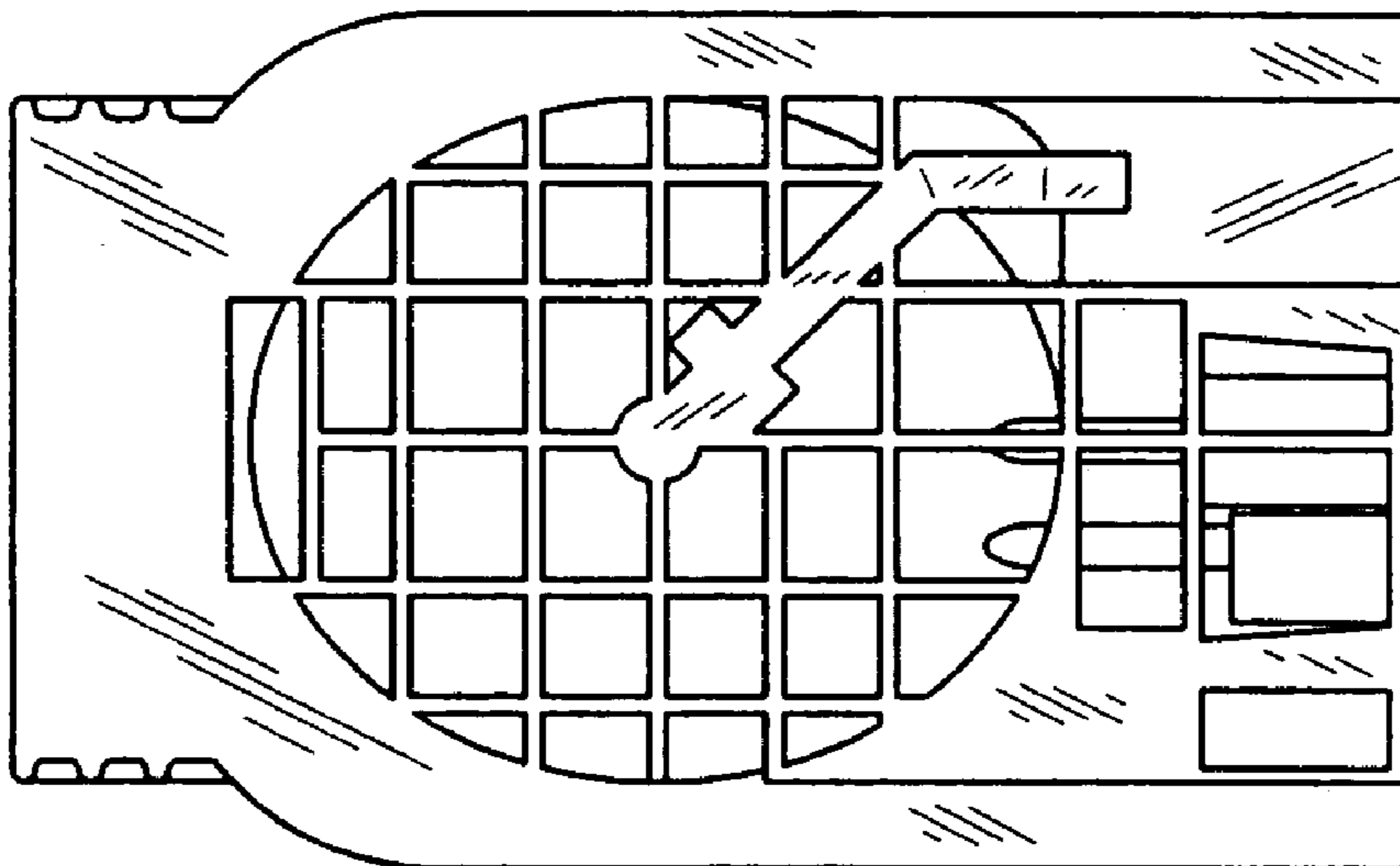


FIG. 7

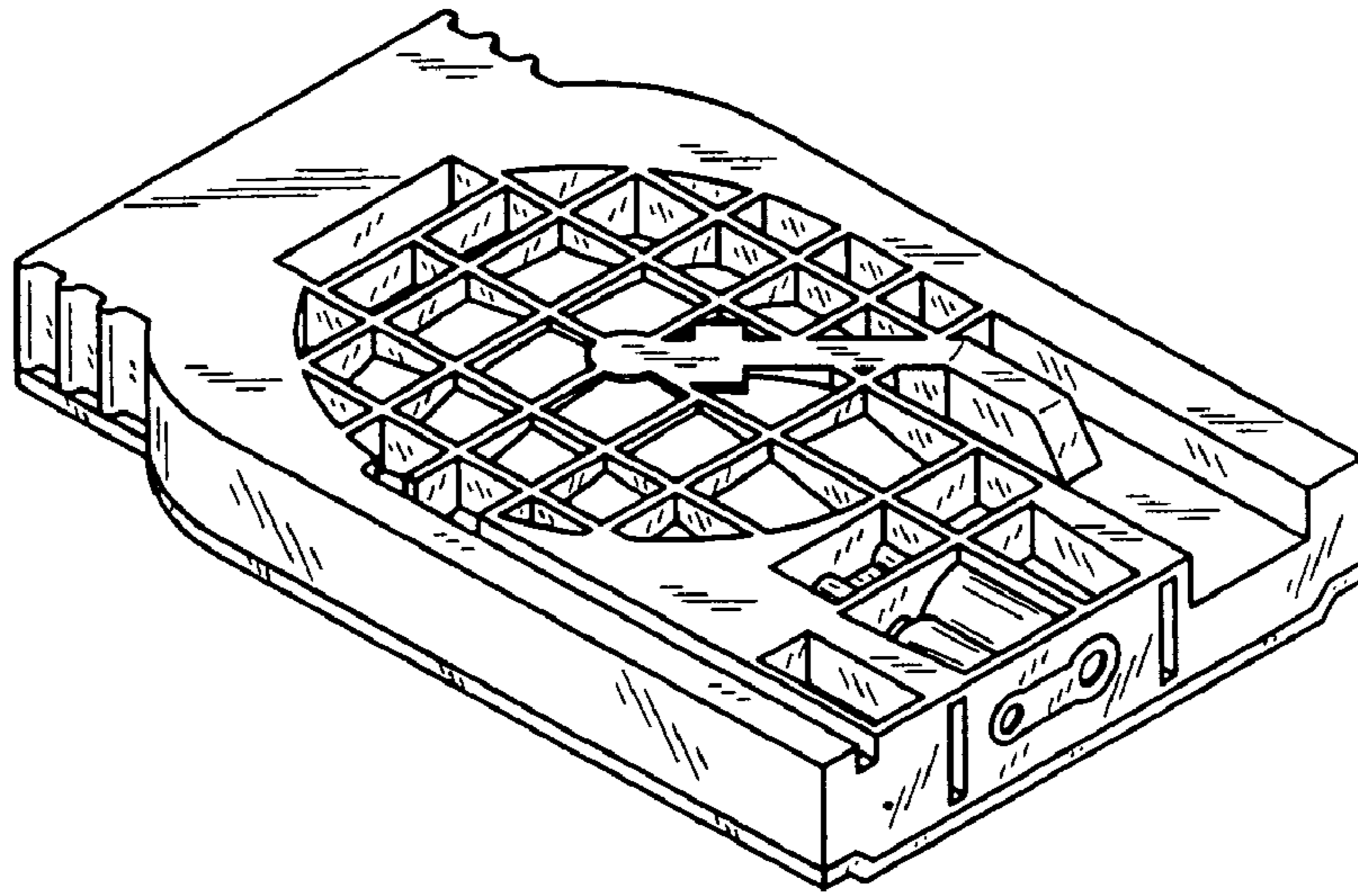


FIG. 8

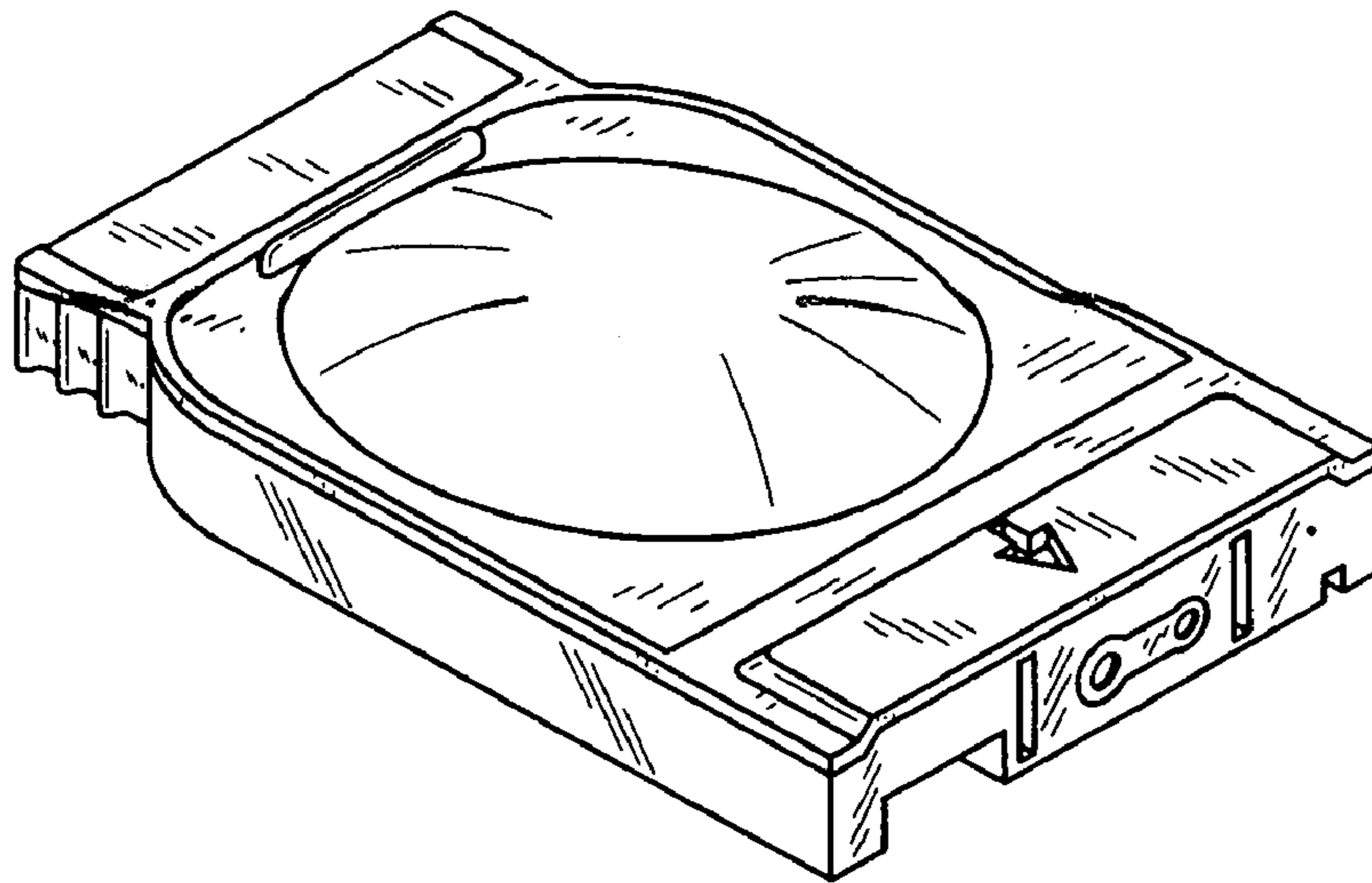


FIG. 9

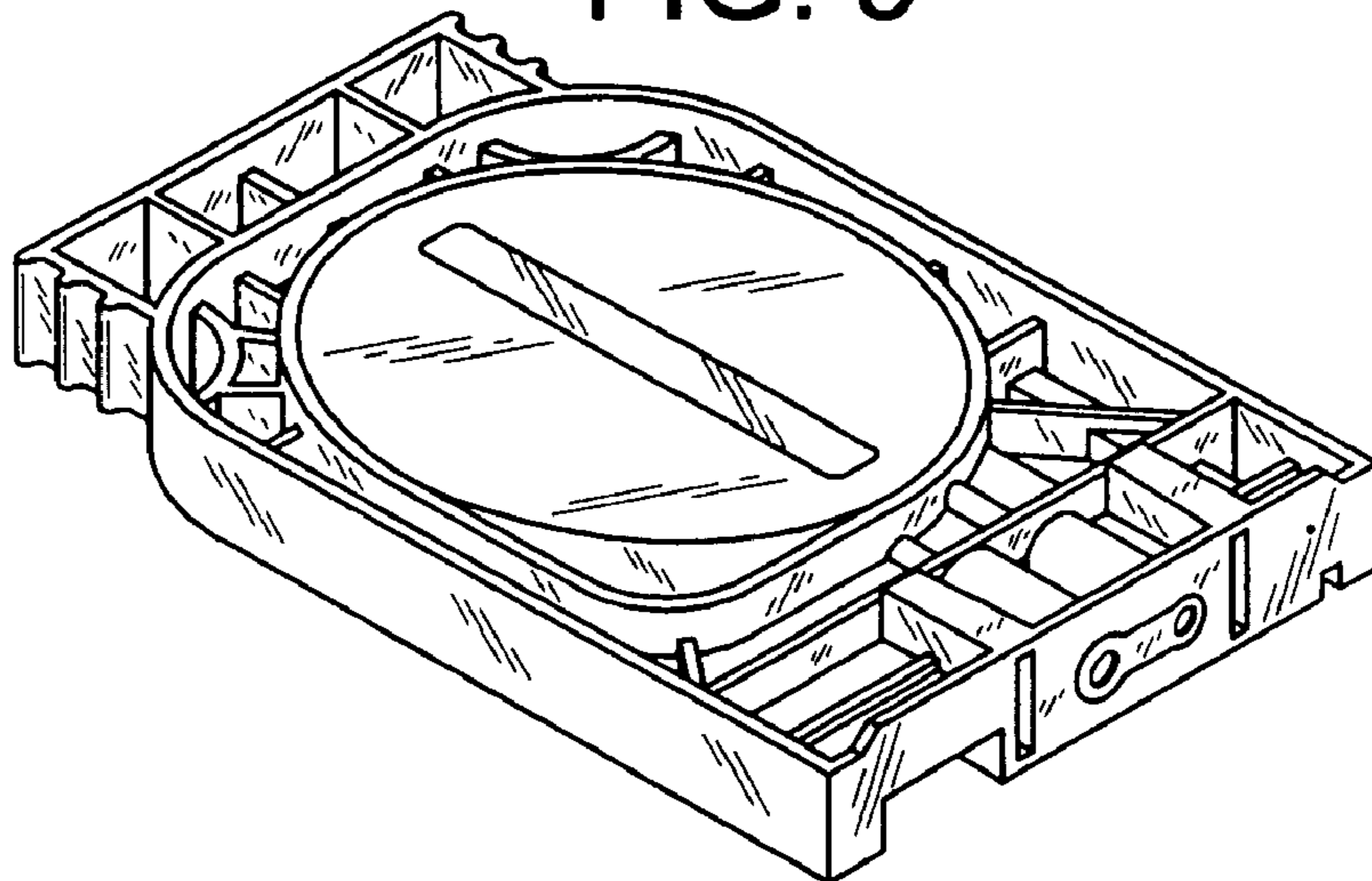


FIG. 10

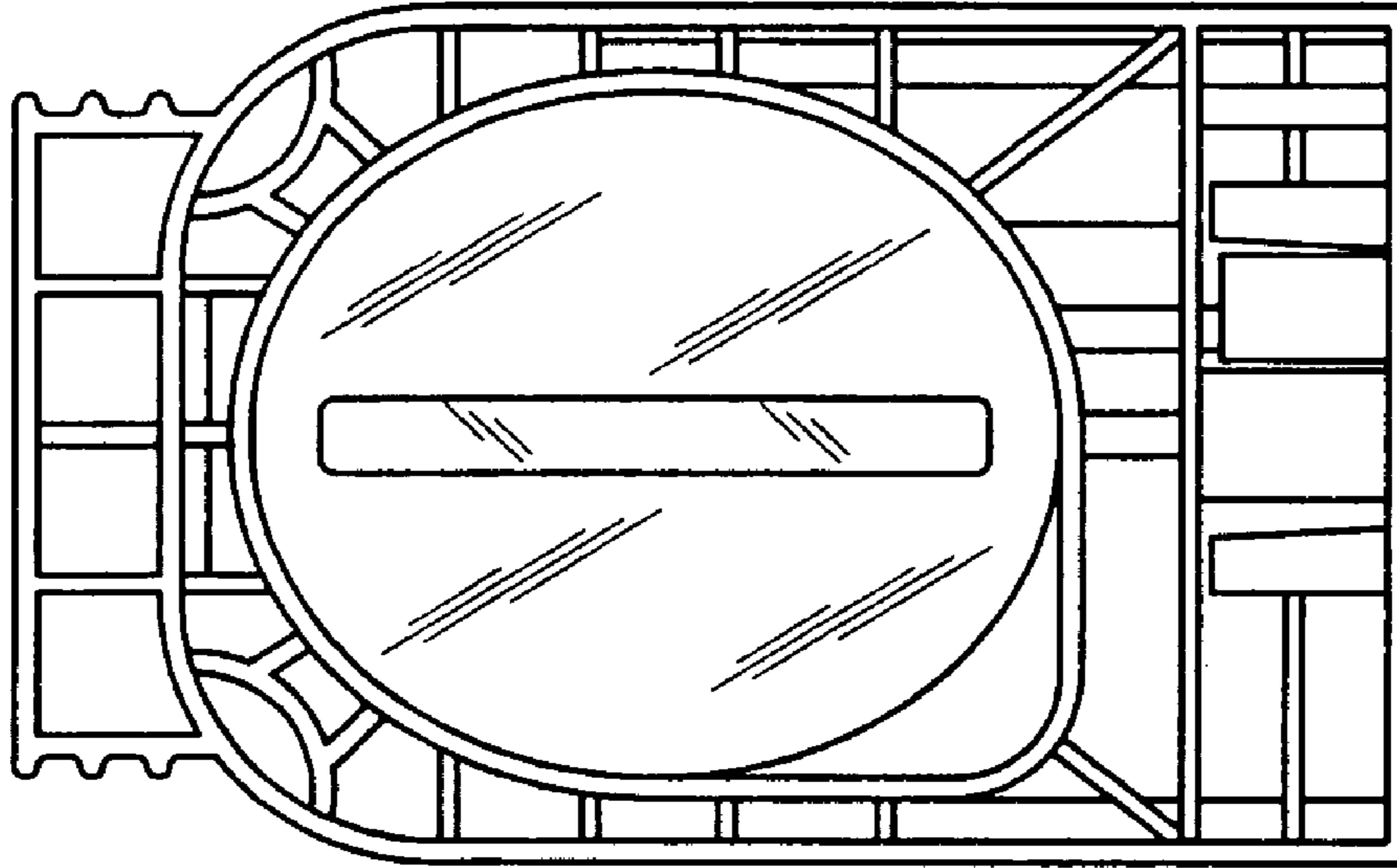


FIG. 11

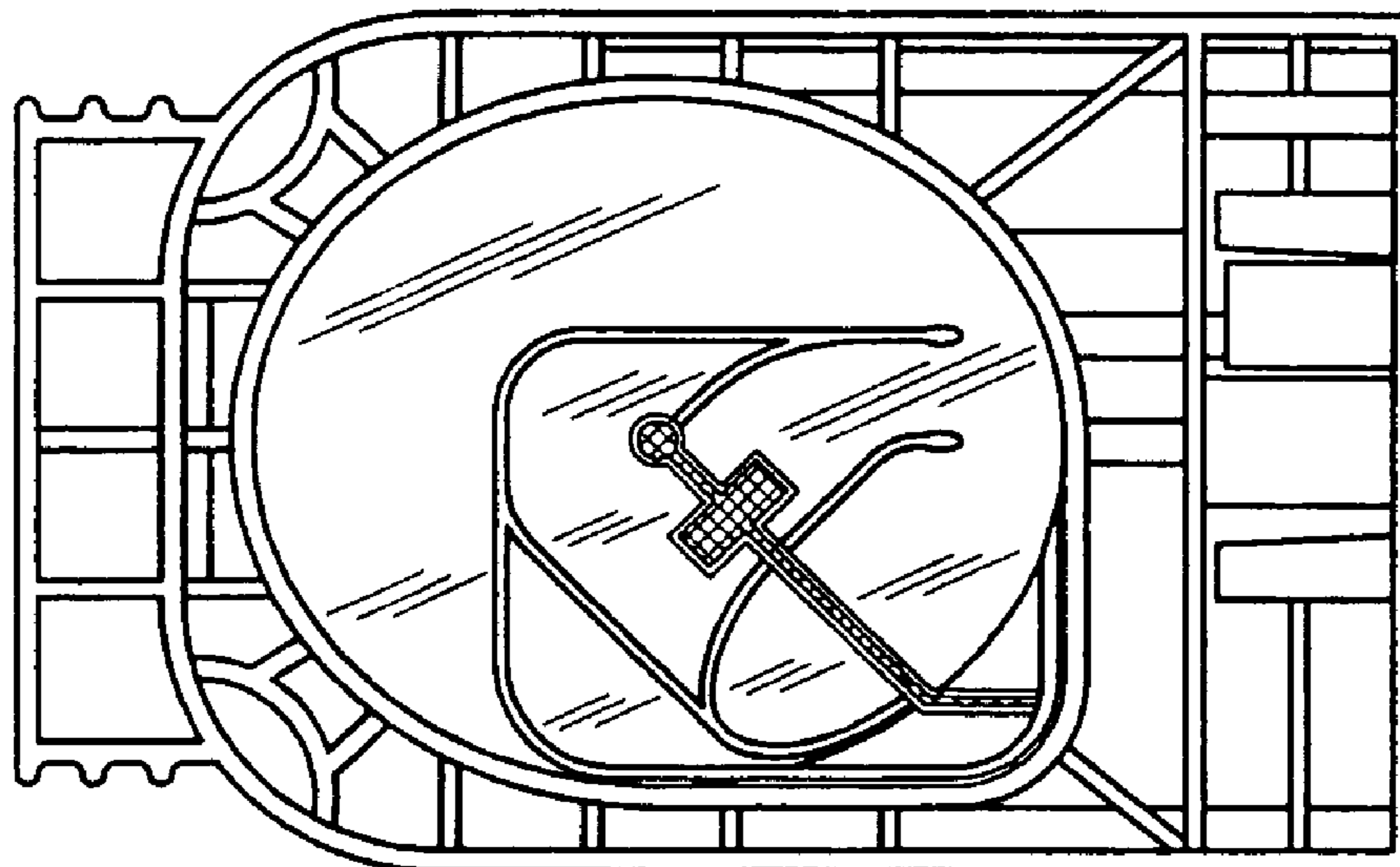


FIG. 12

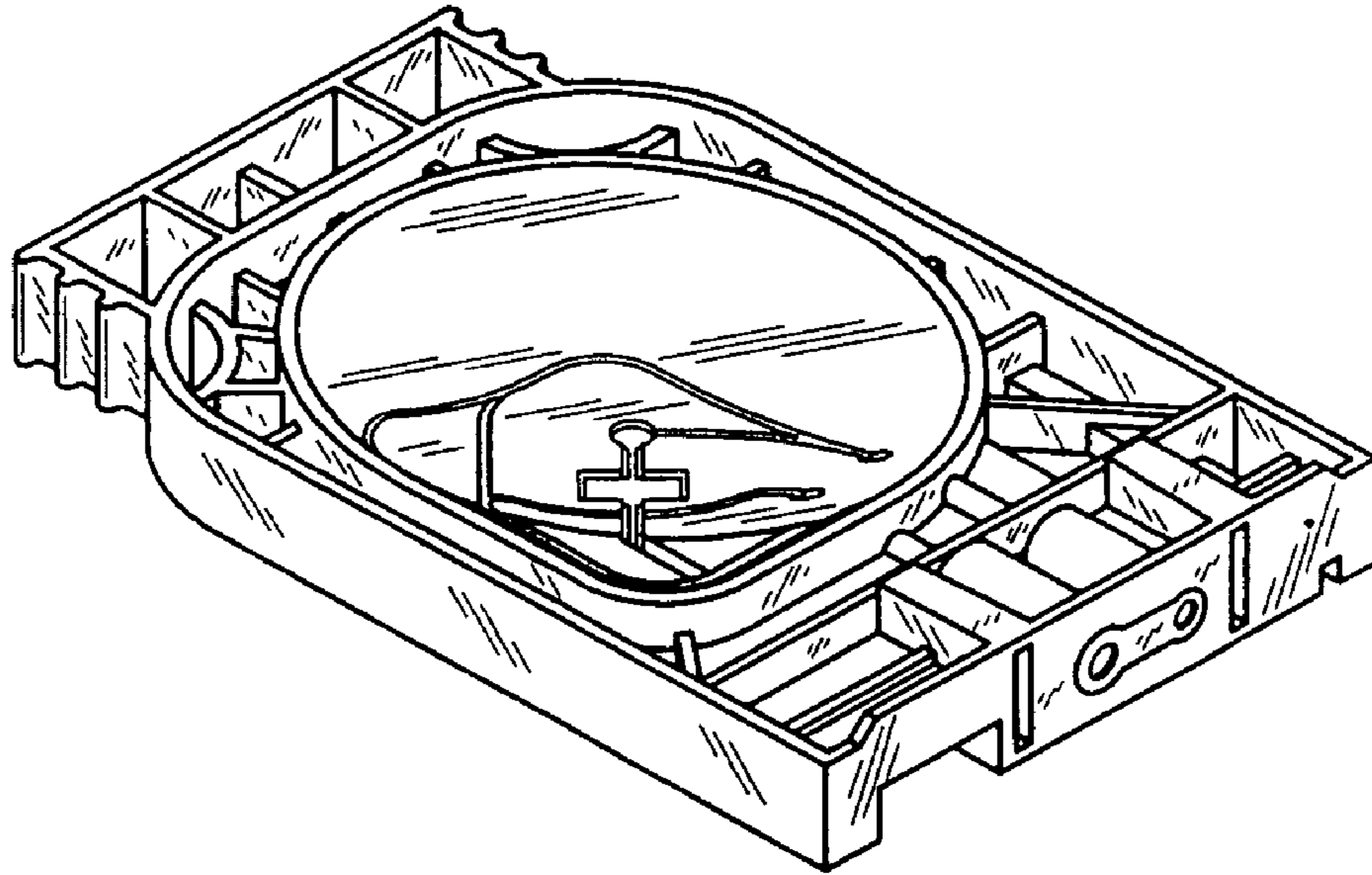
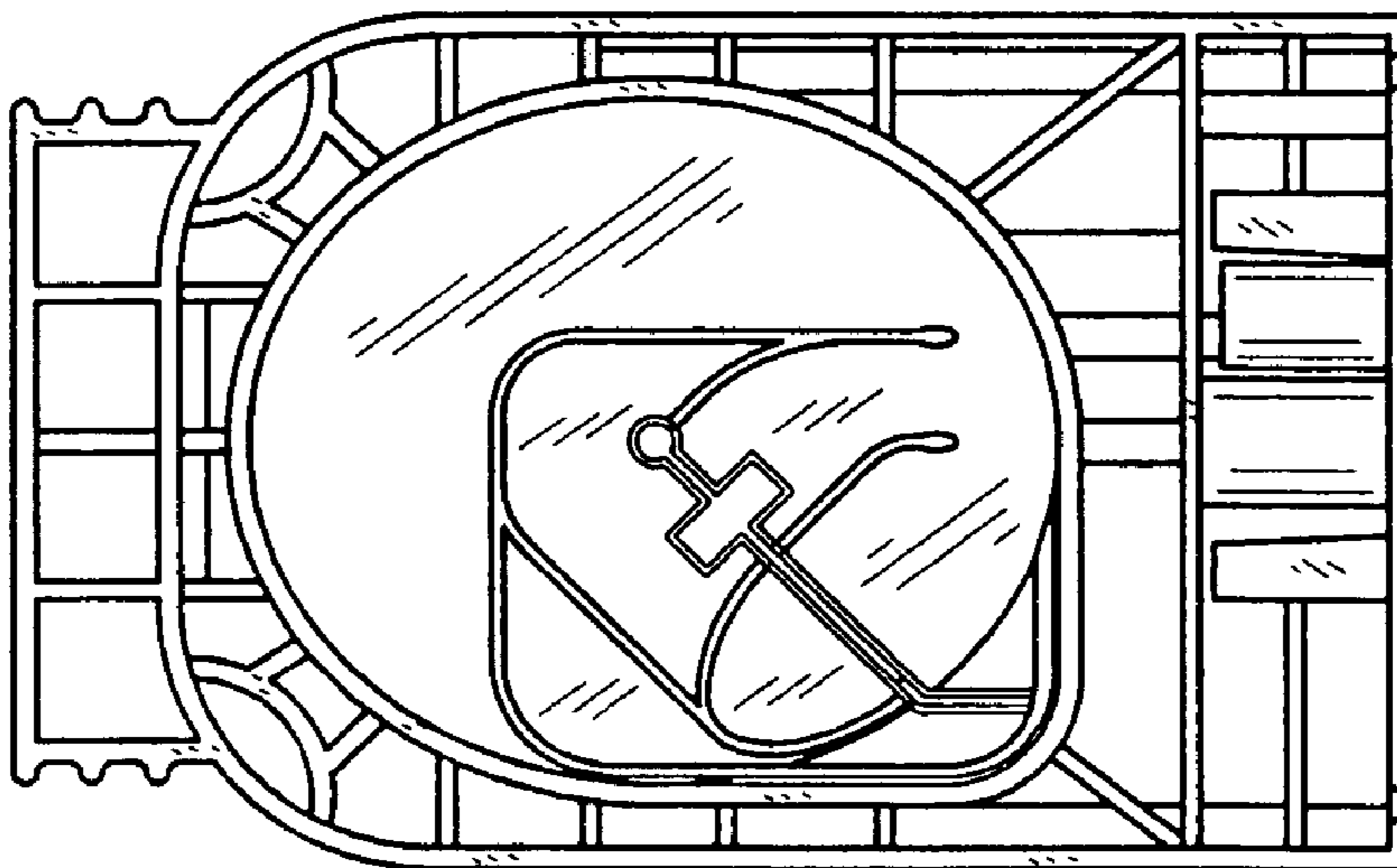


FIG. 13



UNITED STATES PATENT AND TRADEMARK OFFICE
CERTIFICATE OF CORRECTION

PATENT NO. : Des. 549,773 S
APPLICATION NO. : 29/215532
DATED : August 28, 2007
INVENTOR(S) : Toyonori Sasaki et al.

Page 1 of 1

It is certified that error appears in the above-identified patent and that said Letters Patent is hereby corrected as shown below:

On the title page, after item (73), please insert the following terminal disclaimer statement:

--Notice: This patent is subject to a terminal disclaimer.--

Signed and Sealed this

Twenty-seventh Day of May, 2008

A handwritten signature in black ink that reads "Jon W. Dudas". The signature is written in a cursive style with a large, looped initial "J".

JON W. DUDAS

Director of the United States Patent and Trademark Office

UNITED STATES PATENT AND TRADEMARK OFFICE
CERTIFICATE OF CORRECTION

PATENT NO. : Des. 549,773 S
APPLICATION NO. : 29/215532
DATED : August 28, 2007
INVENTOR(S) : Toyonori Sasaki et al.

Page 1 of 1

It is certified that error appears in the above-identified patent and that said Letters Patent is hereby corrected as shown below:

On the Title page of the Patent, after item (73), please insert the following terminal disclaimer statement:

-- [*] **Notice: This patent is subject to a terminal disclaimer.** --

Signed and Sealed this

Fifteenth Day of July, 2008

A handwritten signature in black ink that reads "Jon W. Dudas". The signature is written in a cursive style with a large, looped initial "J".

JON W. DUDAS

Director of the United States Patent and Trademark Office

UNITED STATES PATENT AND TRADEMARK OFFICE
CERTIFICATE OF CORRECTION

PATENT NO. : Des. 549,773 S
APPLICATION NO. : 29/215532
DATED : August 28, 2007
INVENTOR(S) : Toyonori Sasaki et al.

Page 1 of 1

It is certified that error appears in the above-identified patent and that said Letters Patent is hereby corrected as shown below:

On the Title Page, add the Foreign Priority Information as item 30, as follows:

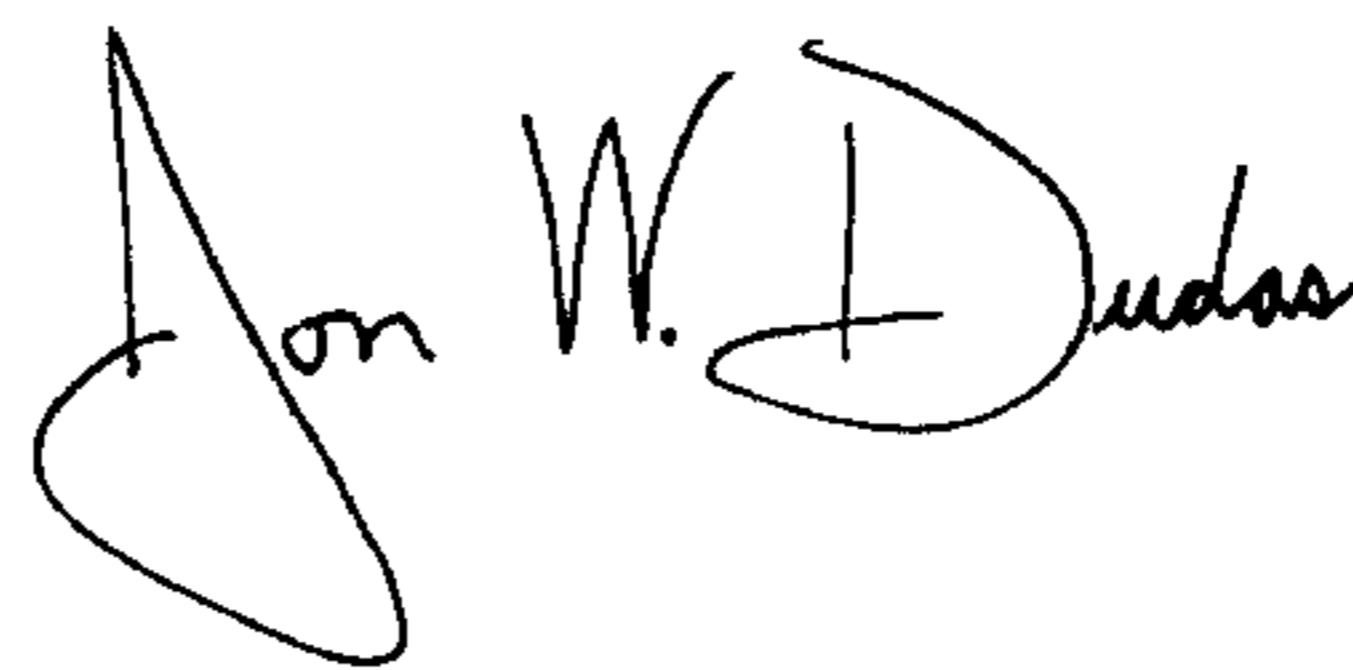
Item should read

--[30] Foreign Application Priority Data

July 23, 2002 (JP) 2002-019751--

Signed and Sealed this

Twenty-ninth Day of July, 2008



JON W. DUDAS

Director of the United States Patent and Trademark Office

UNITED STATES PATENT AND TRADEMARK OFFICE
CERTIFICATE OF CORRECTION

PATENT NO. : Des. 549,773 S
APPLICATION NO. : 29/215532
DATED : August 28, 2007
INVENTOR(S) : Toyonori Sasaki et al.

Page 1 of 1

It is certified that error appears in the above-identified patent and that said Letters Patent is hereby corrected as shown below:

This certificate vacates the Certificate of Correction issued July 15, 2008. The certificate is a duplicate of the Certificate of Correction issued May 27, 2008. All requested changes were included in the Certificate of Correction issued May 27, 2008.

Signed and Sealed this

Twenty-fifth Day of November, 2008

A handwritten signature in black ink that reads "Jon W. Dudas". The signature is written in a cursive style with a large, looped initial "J".

JON W. DUDAS

Director of the United States Patent and Trademark Office