



US00D549771S

(12) **United States Design Patent**
Egami et al.

(10) **Patent No.:** **US D549,771 S**

(45) **Date of Patent:** **** Aug. 28, 2007**

(54) **PRINTER DISPLAY**

(75) Inventors: **Keiichiro Egami**, Nagoya (JP); **Yosuke Mase**, Chita-gun (JP)

(73) Assignee: **Brother Industries, Ltd.**, Nagoya (JP)

(**) Term: **14 Years**

(21) Appl. No.: **29/259,864**

(22) Filed: **May 17, 2006**

(30) **Foreign Application Priority Data**

Nov. 29, 2005 (JP) 2005-035190

(51) **LOC (8) Cl.** **18-02**

(52) **U.S. Cl.** **D18/50**

(58) **Field of Classification Search** D18/36-39,
D18/50-54, 54.1, 55, 56; D14/420-425,
D14/462-470; D16/237, 246-248; 399/107;
400/613, 613.1-613.4, 690.1-690.4, 691-694
See application file for complete search history.

(56) **References Cited**

U.S. PATENT DOCUMENTS

D282,164 S *	1/1986	Krop	D14/464
D291,093 S *	7/1987	Wang	D18/12
D312,253 S *	11/1990	Yoshihara	D14/464
D338,196 S *	8/1993	Takeuchi	D14/462
D355,177 S *	2/1995	Sawada et al.	D14/466
D355,905 S *	2/1995	Takeuchi	D14/462
D365,555 S *	12/1995	Fukutani et al.	D14/466
D369,382 S *	4/1996	Matsunaga et al.	D18/55
D385,267 S *	10/1997	Omino	D14/470
D406,127 S *	2/1999	Ishio	D14/466

D431,251 S *	9/2000	Fujimoto	D14/463
D432,564 S *	10/2000	Miyazawa	D18/54
D450,082 S *	11/2001	Kusanagi et al.	D18/53
D468,321 S *	1/2003	Naganuma	D14/463
D486,513 S *	2/2004	Ohashi	D18/41
D498,492 S *	11/2004	Miyauchi et al.	D18/50
D517,564 S *	3/2006	Katayama et al.	D14/468
D525,292 S *	7/2006	Inoue et al.	D18/50
D534,208 S *	12/2006	Hwang et al.	D18/50
D536,371 S *	2/2007	Yamaguchi	D18/50
D537,112 S *	2/2007	Yamaguchi	D18/50
D537,479 S *	2/2007	Alfonso et al.	D18/56
D540,852 S *	4/2007	Huang et al.	D18/50

* cited by examiner

Primary Examiner—Cathy Anne MacCormac

(74) *Attorney, Agent, or Firm*—Oliff & Berridge, PLC

(57) **CLAIM**

The ornamental design for a printer display, as shown and described.

DESCRIPTION

FIG. 1 is a perspective view of a printer display;

FIG. 2 is a top view thereof;

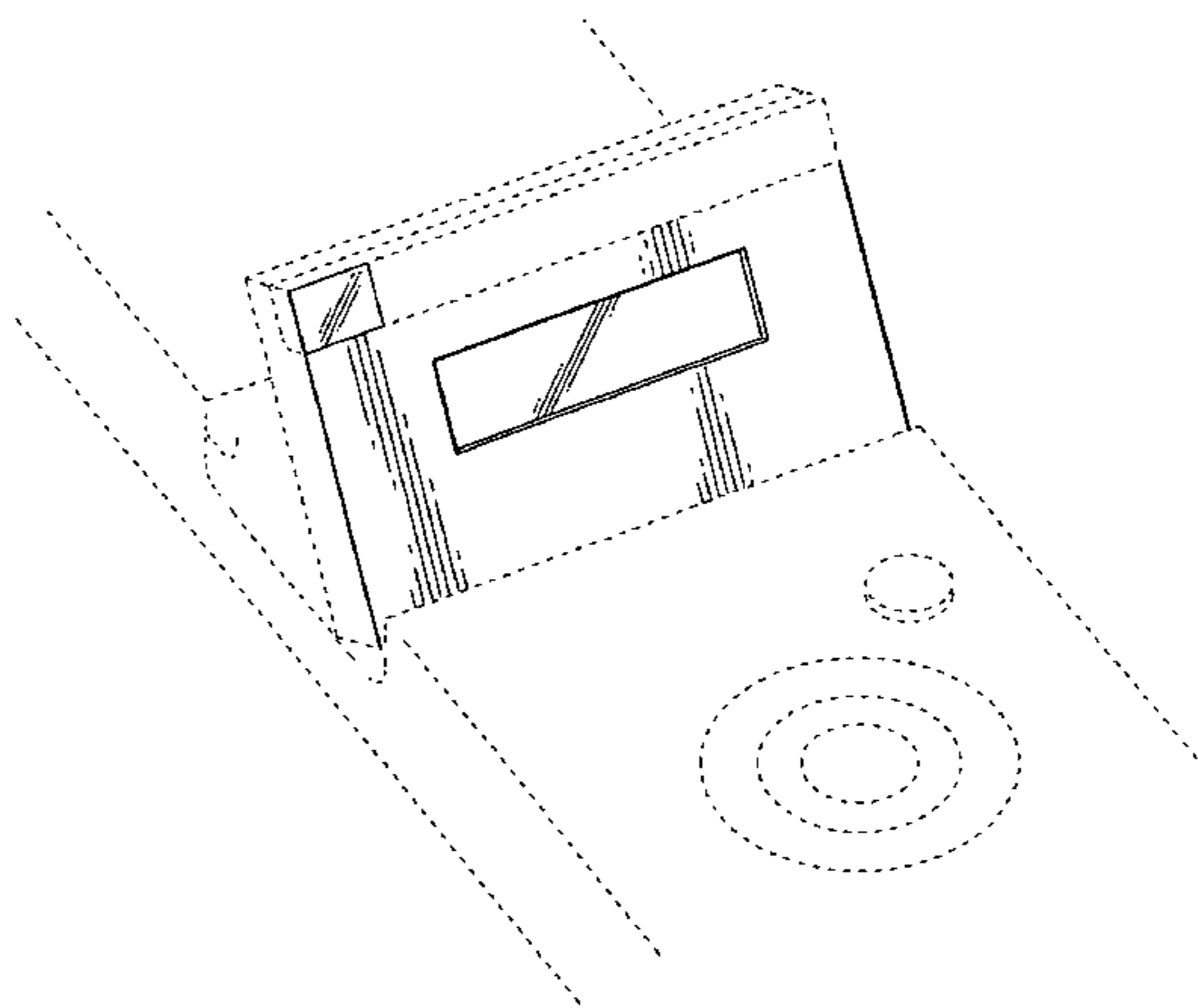
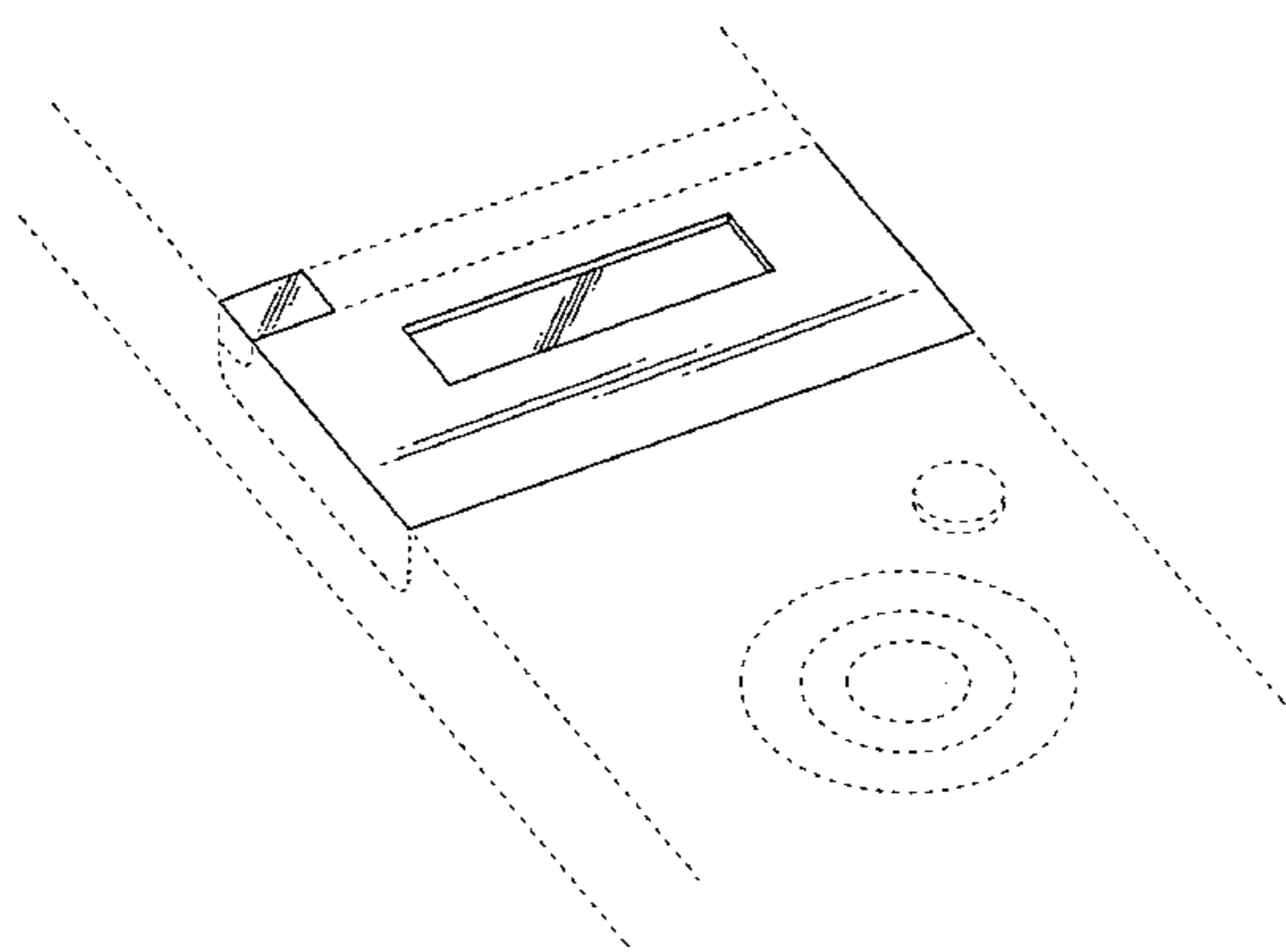
FIG. 3 is a left-side view thereof;

FIG. 4 is an enlarged perspective view thereof; and,

FIG. 5 is an enlarged perspective view thereof with the display in an upright position.

The broken lines are for illustrative purposes only and form no part of the claimed design.

1 Claim, 3 Drawing Sheets



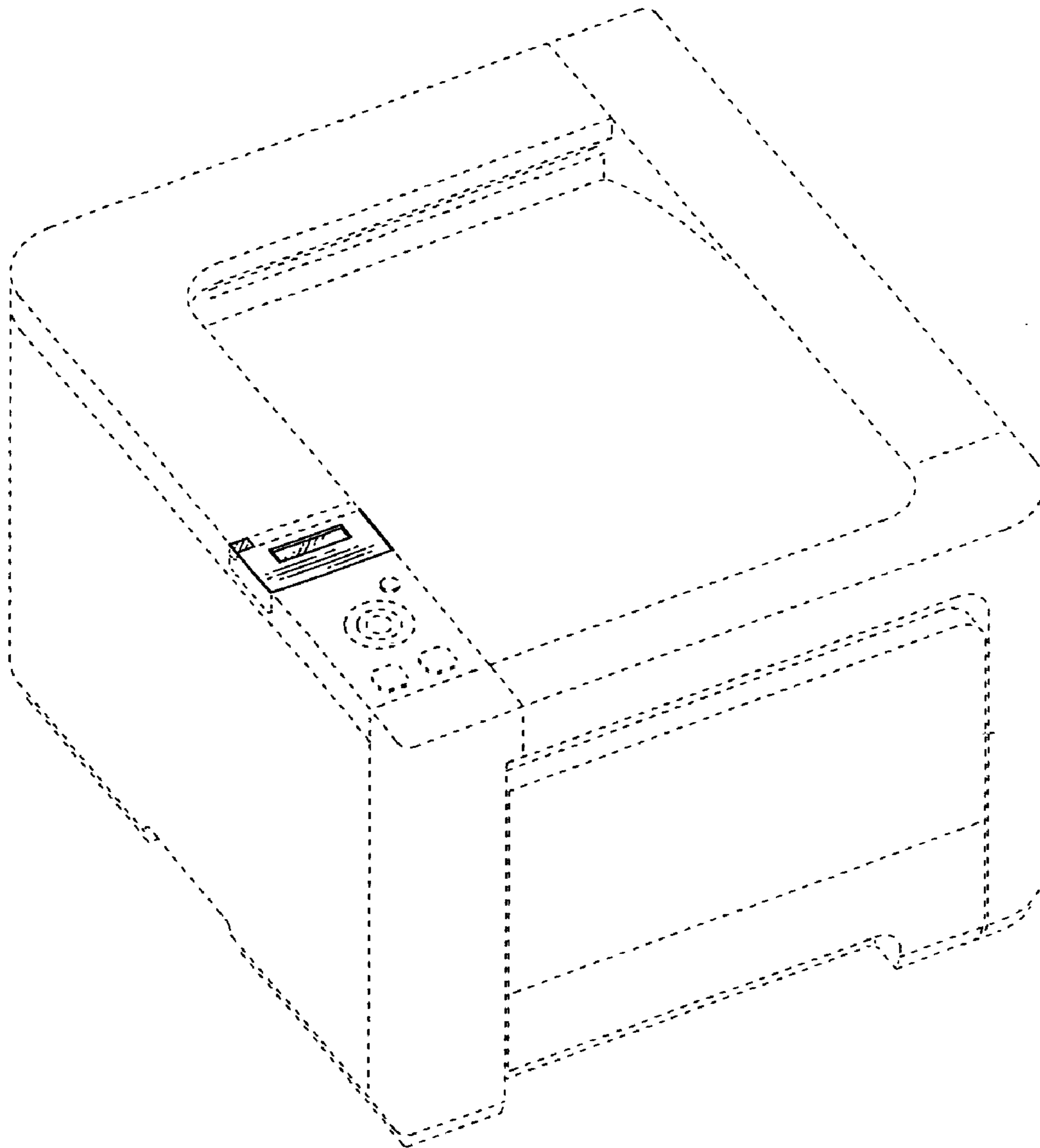


FIG. 1

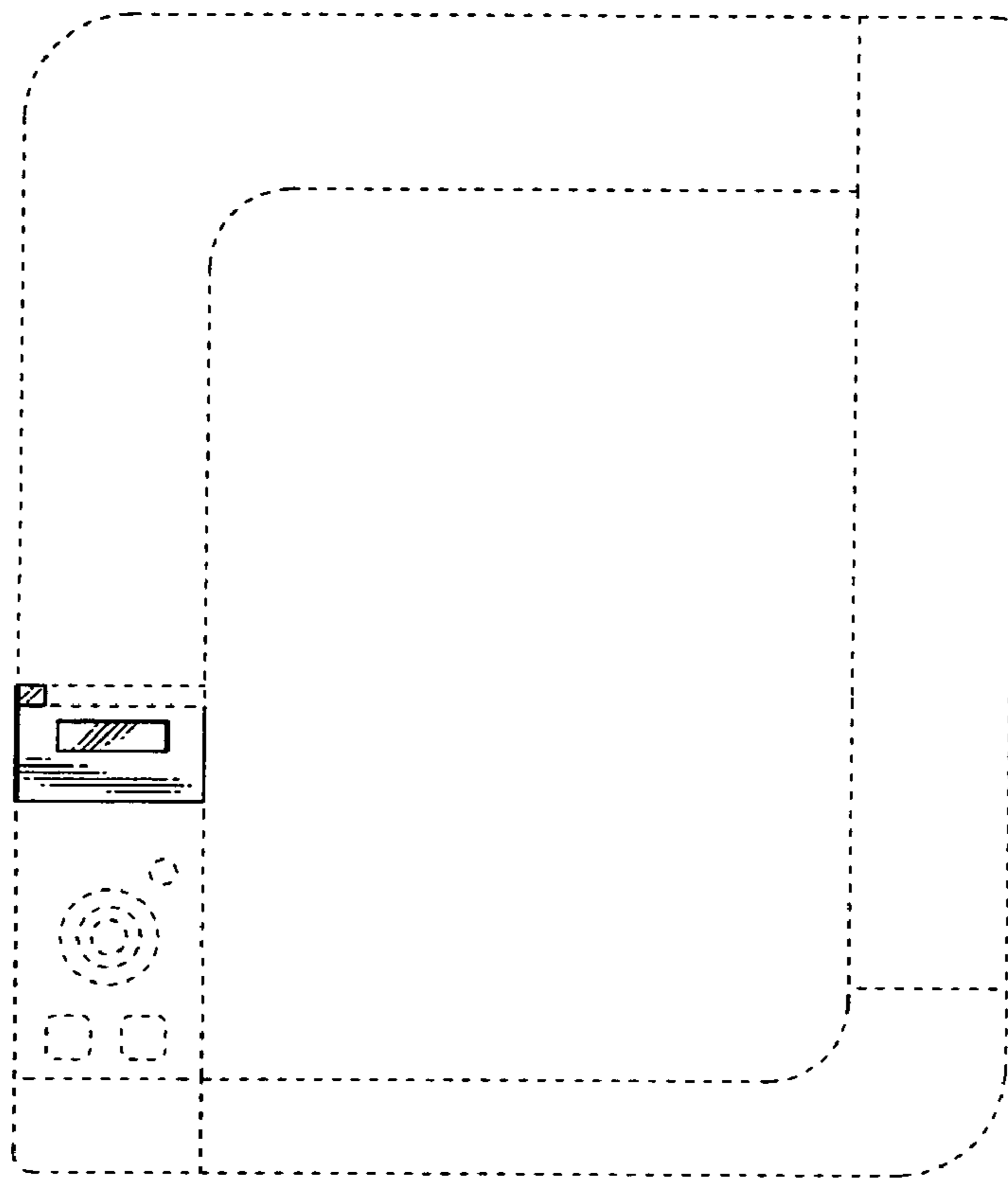


FIG. 2

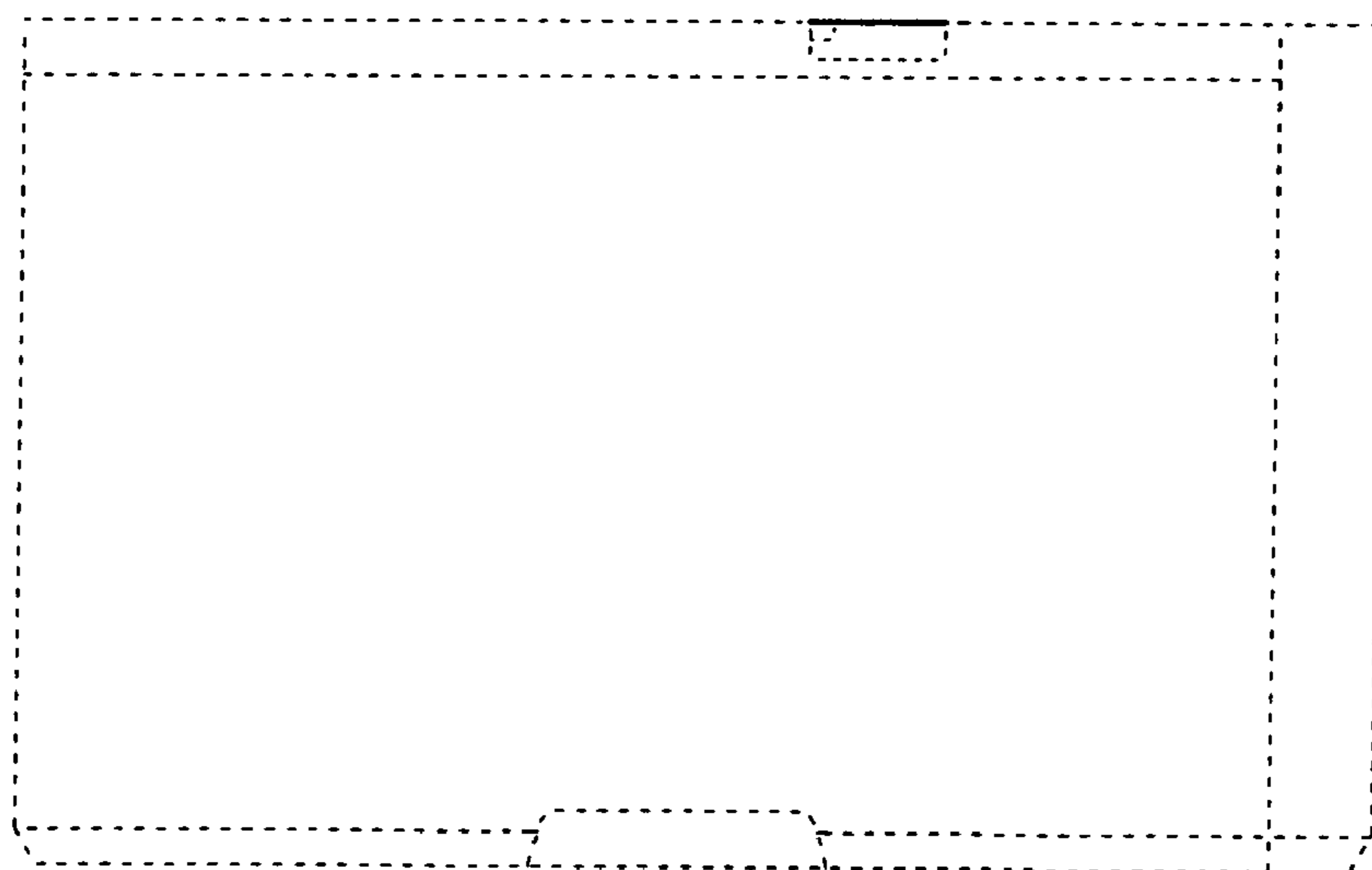


FIG. 3

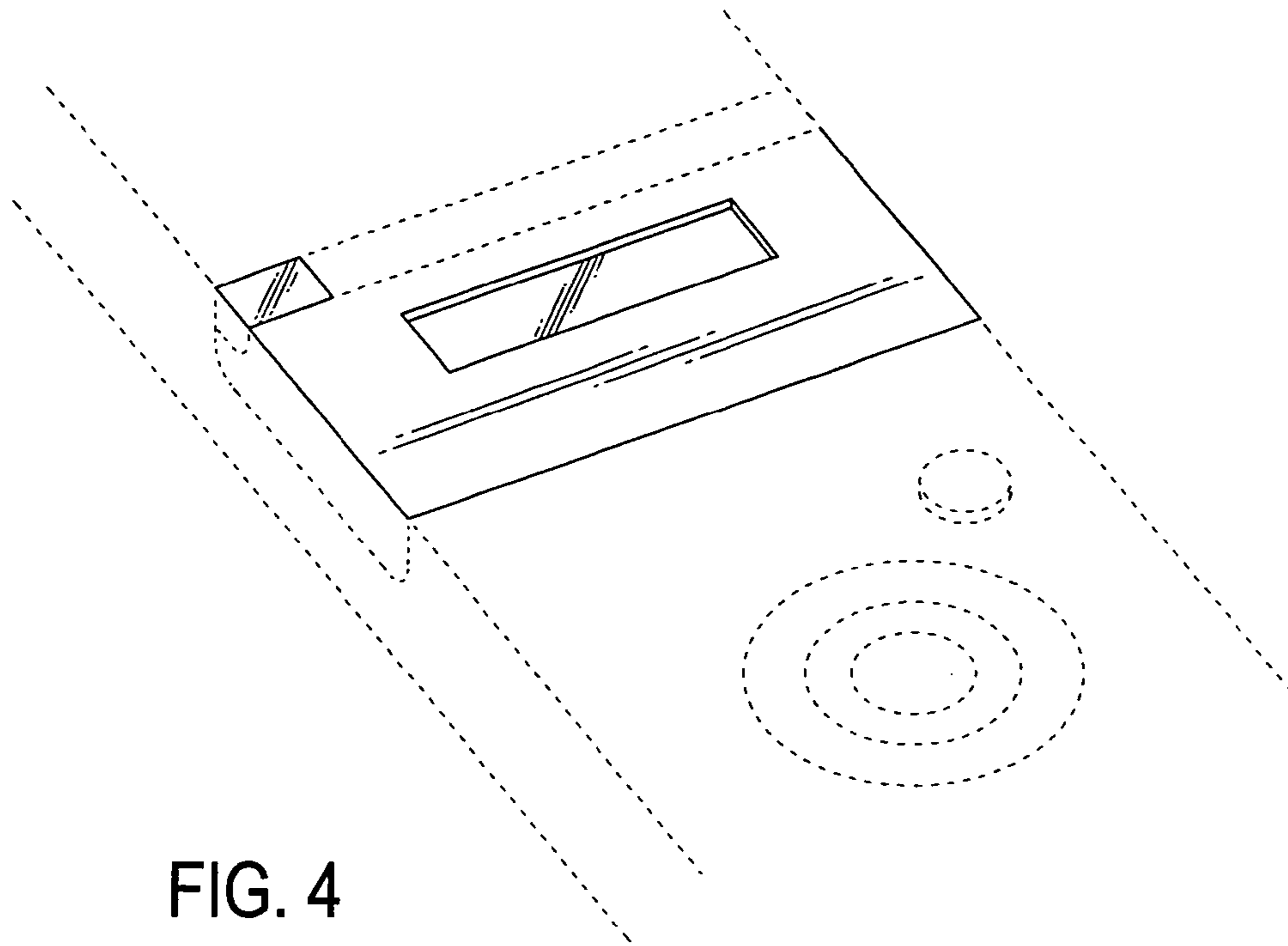


FIG. 4

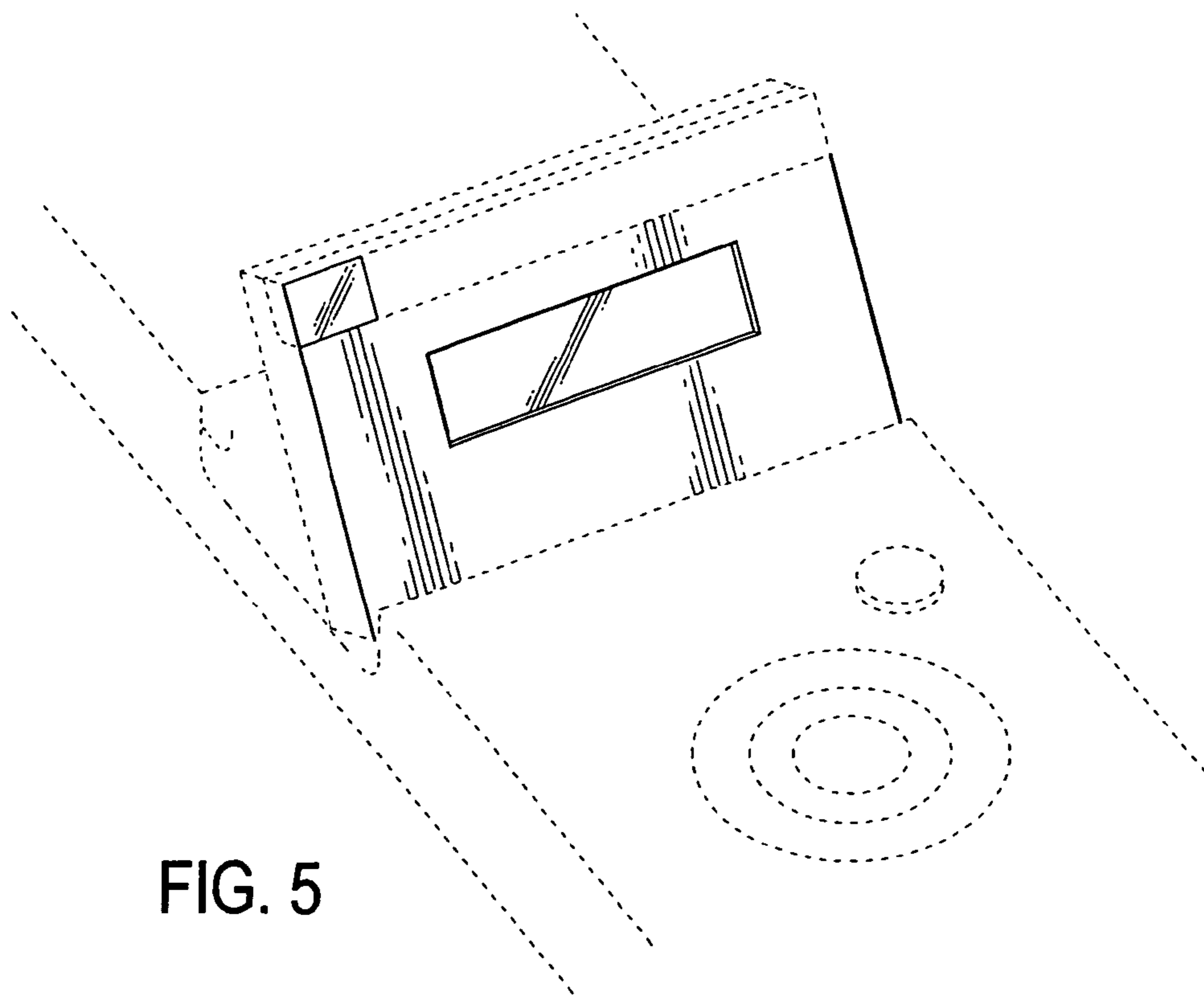


FIG. 5