

US00D549769S

(12) **United States Design Patent**
Kawamura et al.

(10) **Patent No.:** **US D549,769 S**

(45) **Date of Patent:** **** Aug. 28, 2007**

(54) **DATA PROCESSING MACHINE**

D424,101 S * 5/2000 Takeuchi D18/53

(75) Inventors: **Toshihiro Kawamura**, Kyoto (JP);
Atsushi Fukumura, Kyoto (JP);
Makoto Kawamoto, Kyoto (JP);
Yasuhiro Sakanashi, Kyoto (JP);
Kouichi Motoyoshi, Kyoto (JP)

(Continued)

FOREIGN PATENT DOCUMENTS

JP D1064657 3/2000

(Continued)

(73) Assignee: **Murata Kikai Kabushiki Kaisha**,
Kyoto (JP)

Primary Examiner—Robert M. Spear

Assistant Examiner—Garth Rademaker

(74) *Attorney, Agent, or Firm*—Hogan & Hartson LLP

(**) Term: **14 Years**

(57) **CLAIM**

(21) Appl. No.: **29/213,012**

The ornamental design for a data processing machine, as shown and described.

(22) Filed: **Sep. 10, 2004**

(30) **Foreign Application Priority Data**

DESCRIPTION

Mar. 15, 2004 (JP) 2004-007625
Mar. 15, 2004 (JP) 2004-007626
Mar. 15, 2004 (JP) 2004-007627
Mar. 15, 2004 (JP) 2004-007628
Mar. 15, 2004 (JP) 2004-007629

This article is a data processing machine used as a facsimile, a copier, a scanner, or a printer or a multifunctional machine of any combination thereof.

FIG. 1 is a perspective view of our design for a data processing machine of the present invention;

FIG. 2 is a front view thereof;

FIG. 3 is a rear view thereof;

FIG. 4 is a top plan view thereof;

FIG. 5 is a bottom plan view thereof;

FIG. 6 is a right side elevational view thereof;

FIG. 7 is a left side elevational view thereof;

FIG. 8 is a perspective view of our design for a data processing machine according to a second embodiment of the present invention;

FIG. 9 is a front view thereof;

FIG. 10 is a rear view thereof;

FIG. 11 is a top plan view thereof;

FIG. 12 is a bottom plan view thereof;

FIG. 13 is a right side elevational view thereof; and,

FIG. 14 is a left side elevational view thereof.

(51) **LOC (8) Cl.** **16-03**

(52) **U.S. Cl.** **D18/39**

(58) **Field of Classification Search** D18/36-39,
D18/45-55; 222/DIG. 1; 355/97, 99; 358/1.1;
399/1-7, 16, 75, 81, 130, 151, 310, 361,
399/365

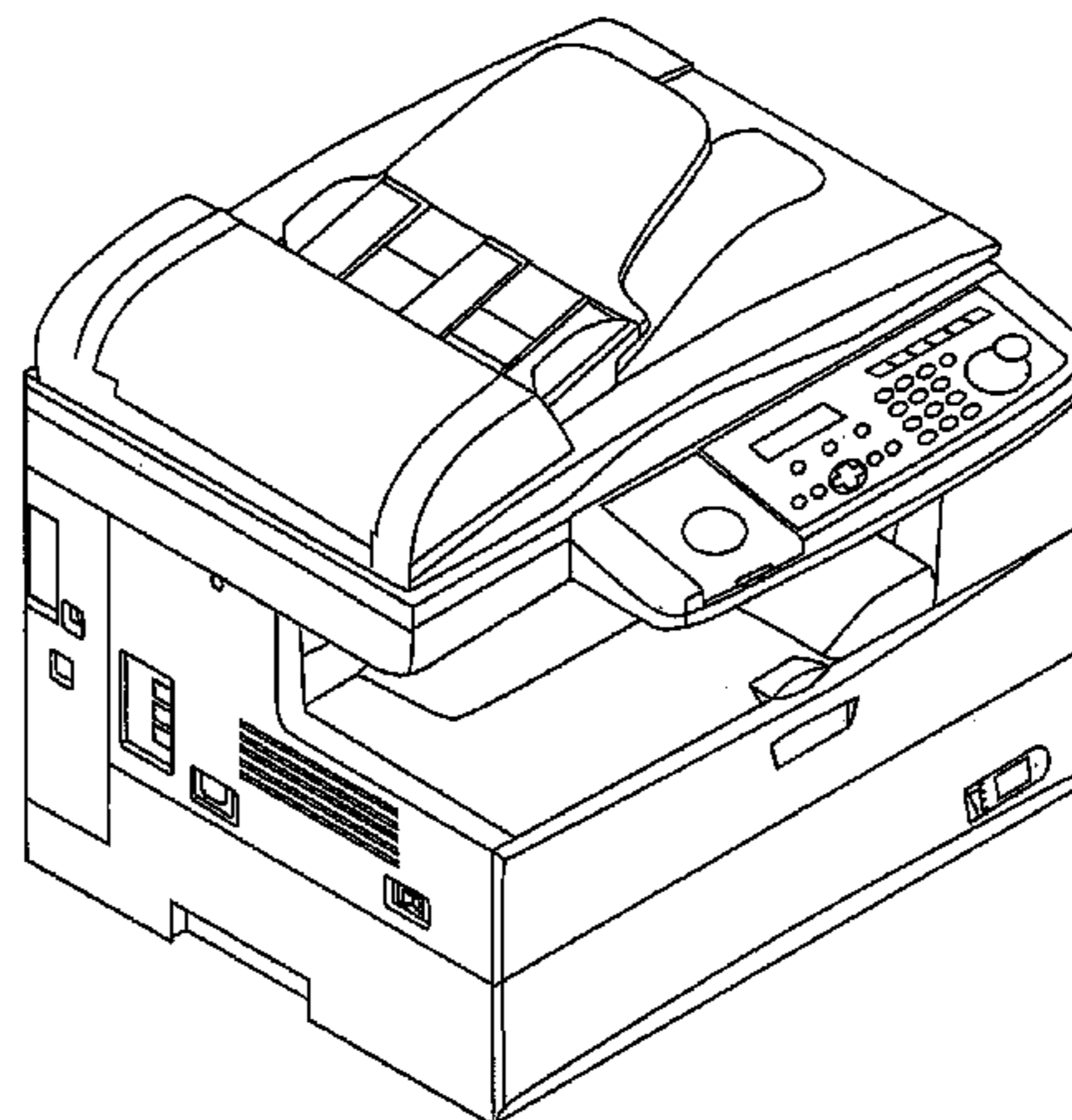
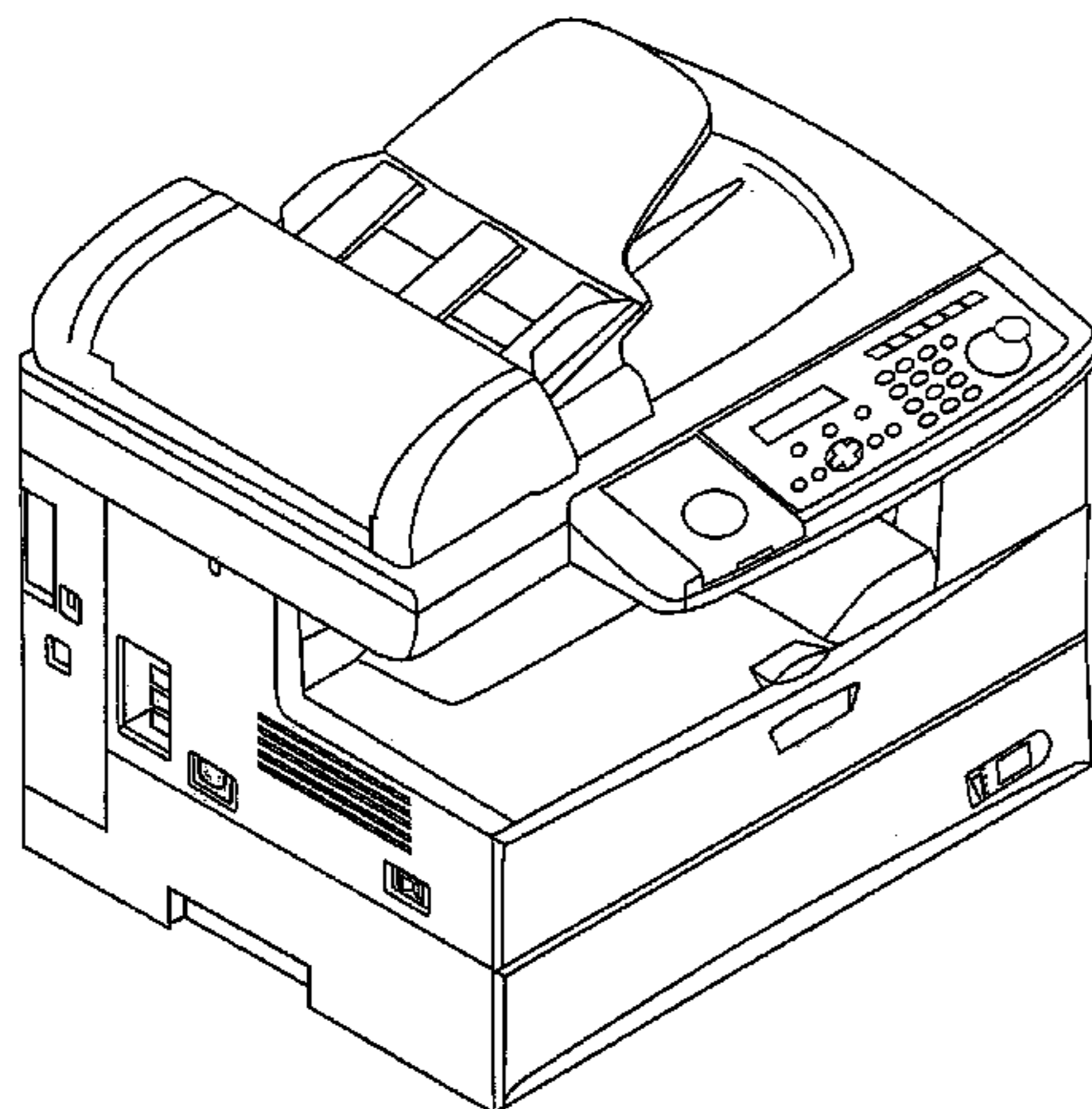
See application file for complete search history.

(56) **References Cited**

U.S. PATENT DOCUMENTS

D317,622 S * 6/1991 Isomoto et al. D18/38
D320,808 S * 10/1991 Ishida D18/37
D328,609 S * 8/1992 Isida D18/36
D338,031 S * 8/1993 Katada et al. D18/36
D374,454 S 10/1996 Naruki et al.
D380,006 S * 6/1997 Takahashi et al. D18/39
5,881,333 A * 3/1999 Takahashi et al. 399/2
D408,443 S * 4/1999 Sasaki D18/36
D410,675 S * 6/1999 Ohashi D18/36
D415,787 S * 10/1999 Clark et al. D18/36

1 Claim, 14 Drawing Sheets



US D549,769 S

Page 2

U.S. PATENT DOCUMENTS			JP	D1080075-1	7/2000	
D425,929	S *	5/2000 Imai	D18/36	JP	D1093357	12/2000
D433,439	S *	11/2000 Yoshida et al.	D18/36	JP	D1094127	12/2000
D451,124	S *	11/2001 Isomoto	D18/39	JP	D1099881	2/2001
D459,752	S	7/2002 Shiozaki		JP	D1120834	9/2001
D473,587	S *	4/2003 Agata et al.	D18/39	JP	D1134624	2/2002
D502,210	S *	2/2005 Katori et al.	D18/39	JP	D1134625	2/2002
D521,544	S *	5/2006 Saito	D18/39	JP	D1137127	3/2002
7,046,955	B2	5/2006 Hatanaka et al.		JP	D1149603	8/2002
D525,291	S *	7/2006 Fukumura et al.	D18/49	JP	D1153194	9/2002
D526,678	S *	8/2006 Inoue et al.	D18/49	JP	D1153207	9/2002
7,092,646	B2 *	8/2006 Schroath et al.	399/21	JP	D1153694	9/2002
7,149,011	B2	12/2006 Kawamura et al.		JP	D1153721	9/2002
2003/0219273	A1 *	11/2003 Fujita et al.	399/81	JP	D1166763	3/2003
2004/0264999	A1	12/2004 Marumoto		JP	D1192394	12/2003
2005/0069336	A1 *	3/2005 Kotani	399/81	JP	D1200324	3/2004
2005/0254869	A1	11/2005 Yamada et al.		JP	D1200502	3/2004
				JP	D1201650	4/2004
				JP	D1201653	4/2004
FOREIGN PATENT DOCUMENTS						
JP	D1079578	7/2000				
JP	D1080075	7/2000				

* cited by examiner

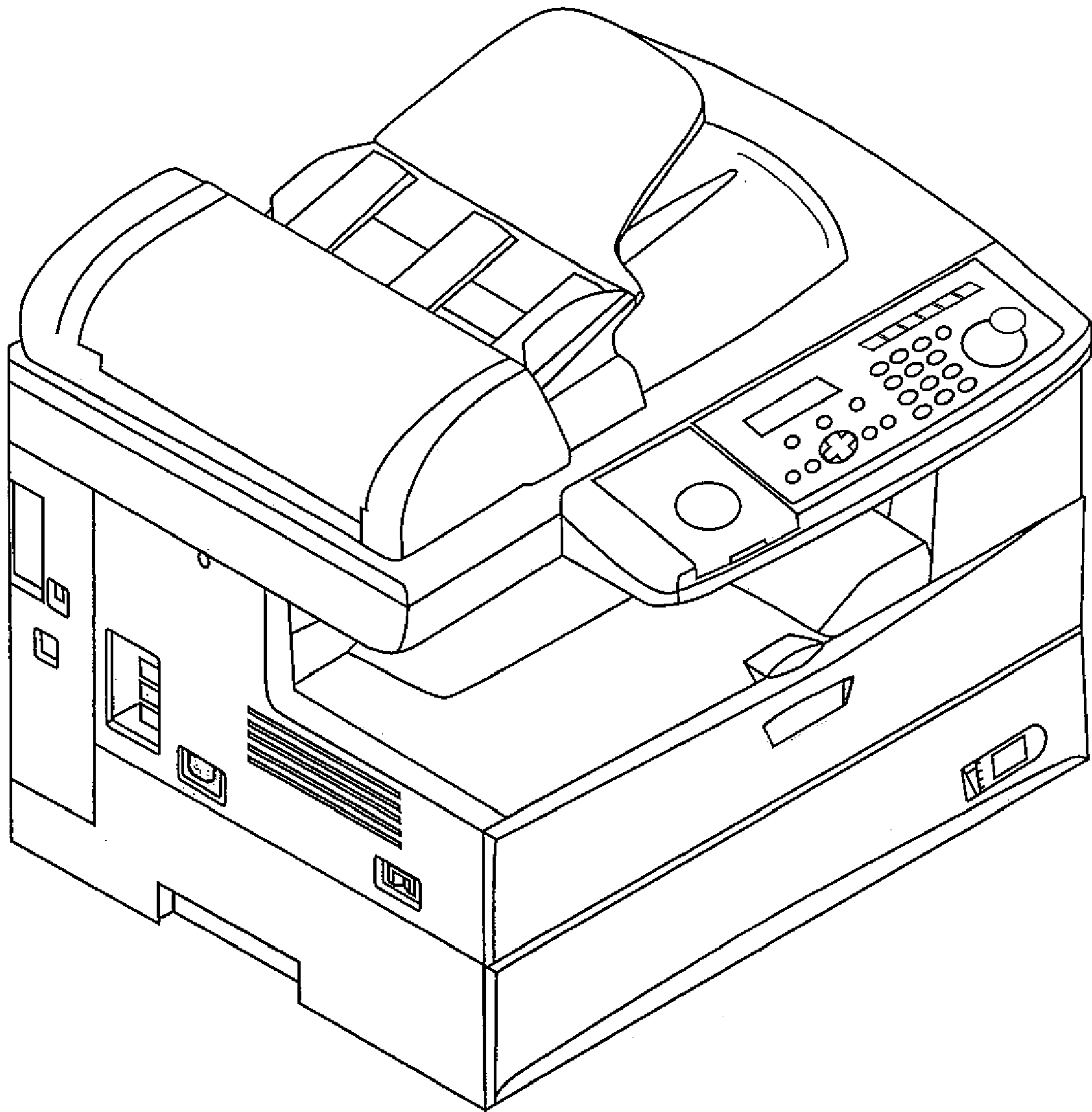


FIG. 1

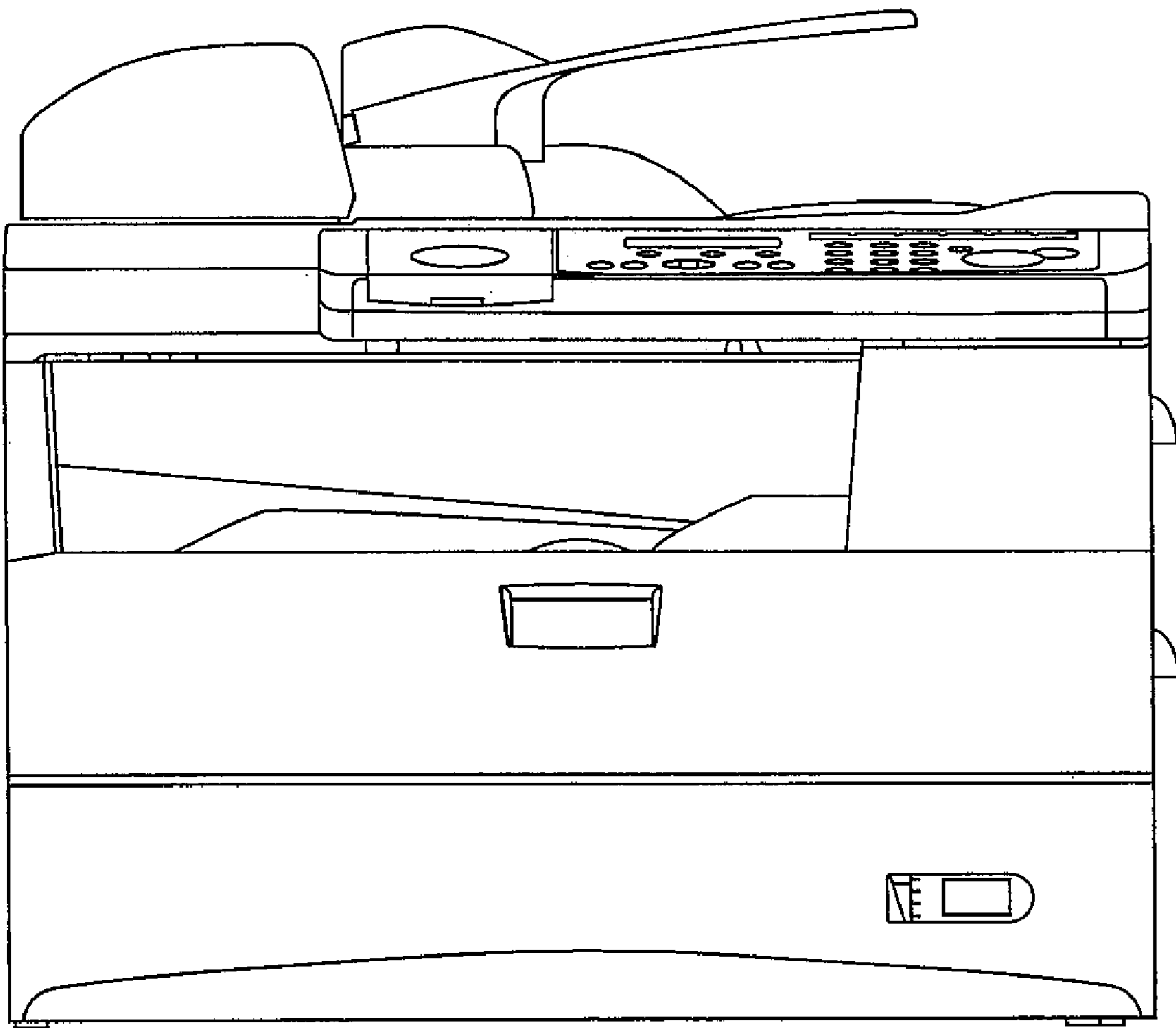


FIG. 2

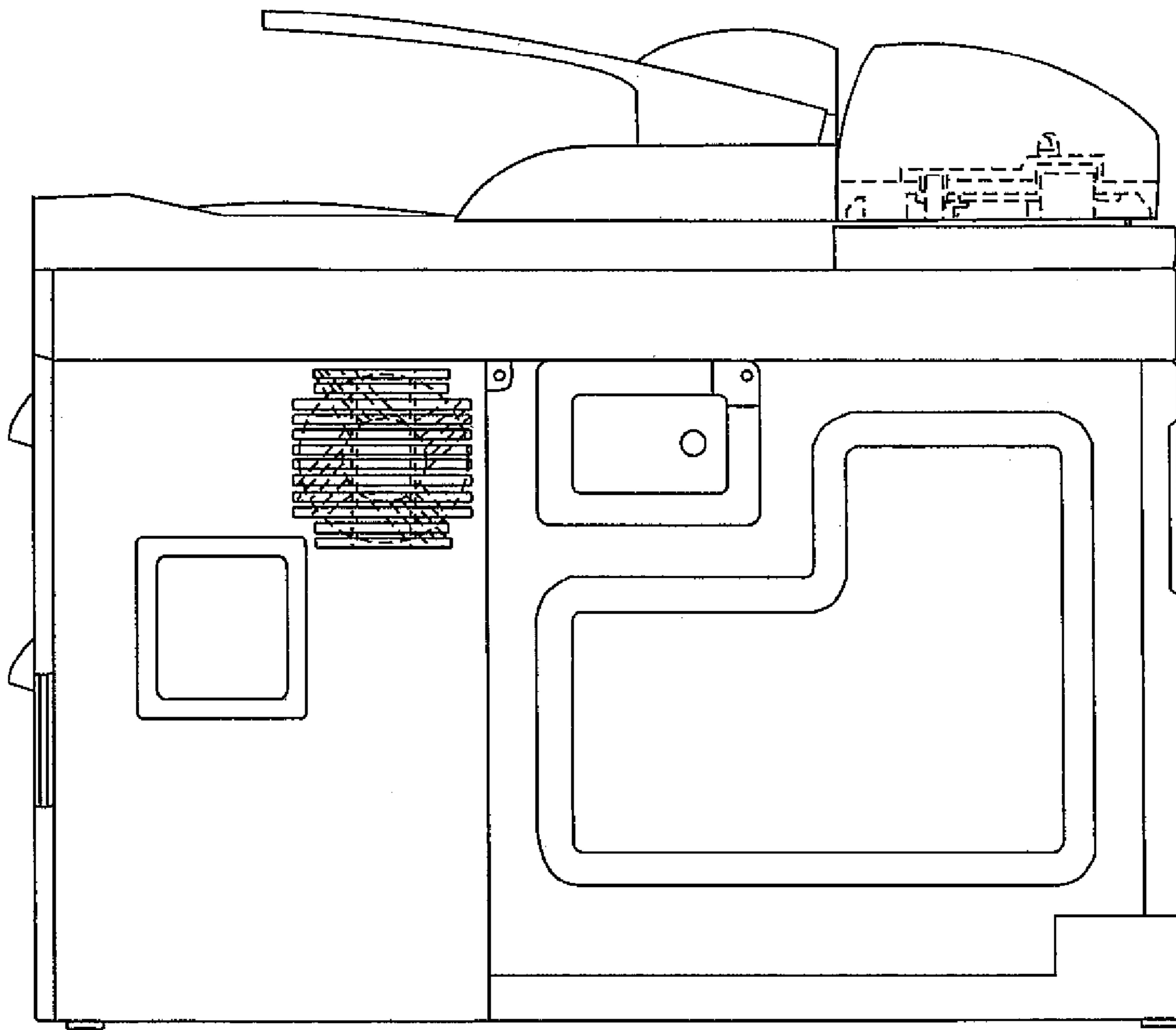


FIG. 3

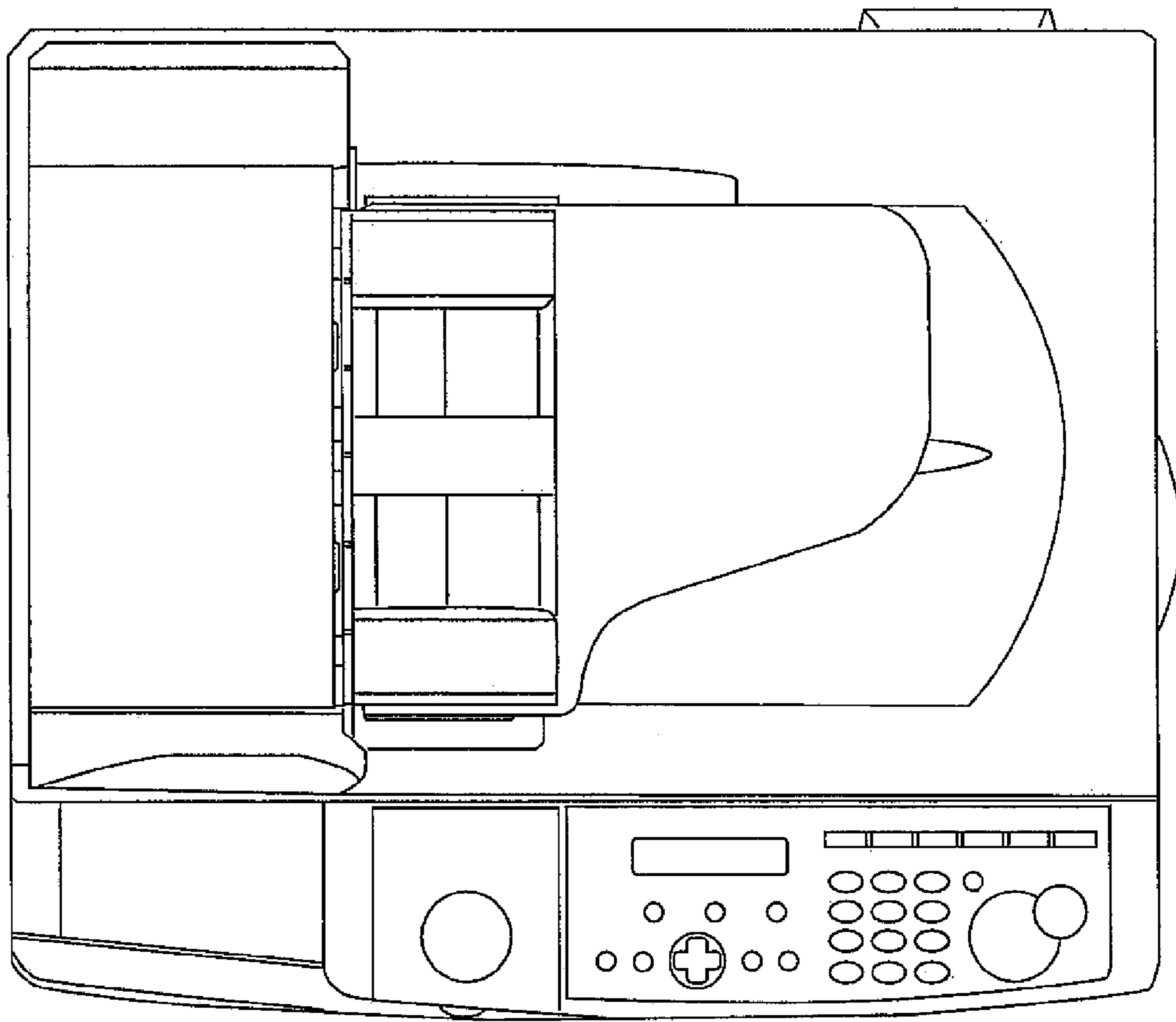


FIG. 4

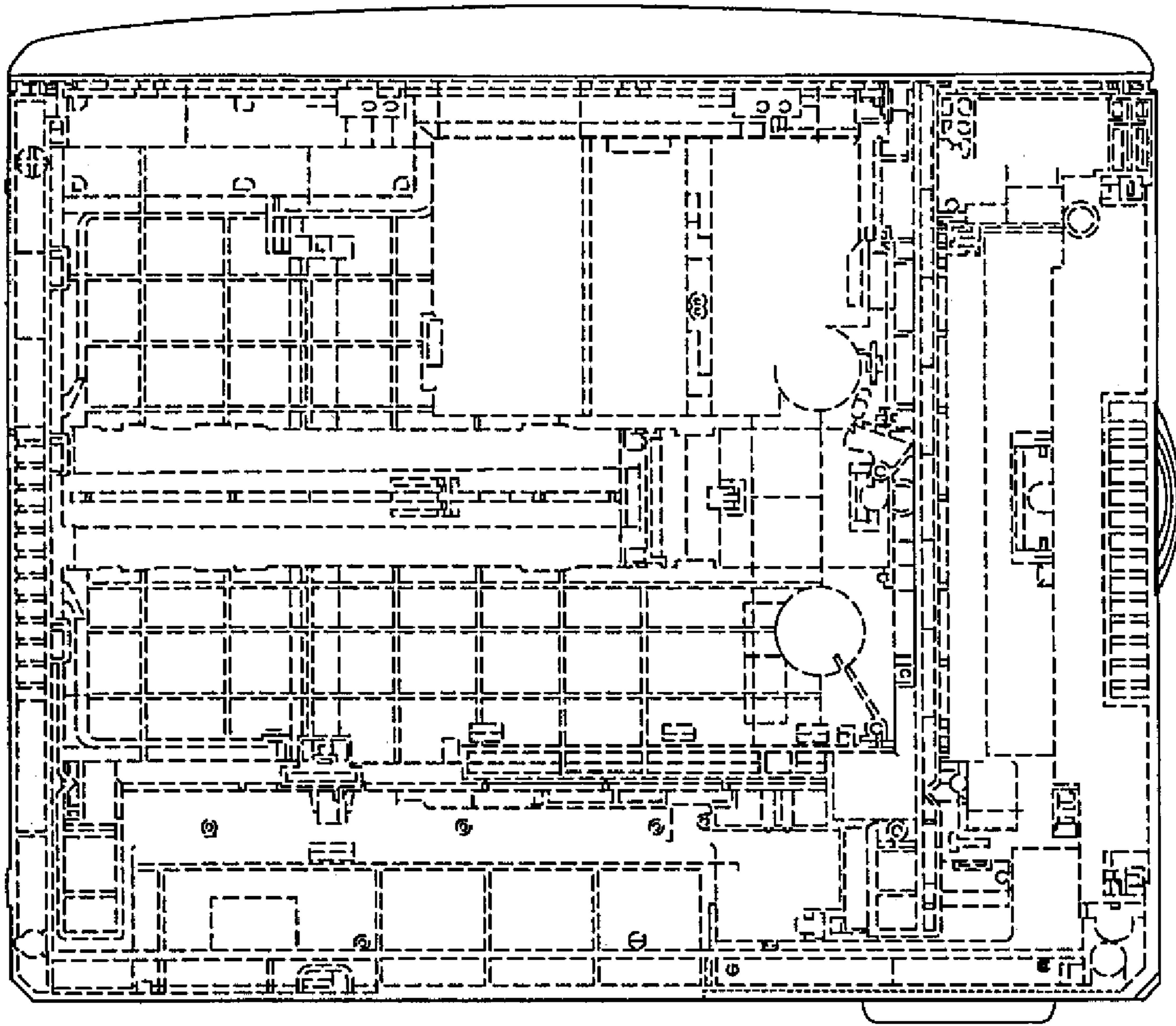


FIG. 5

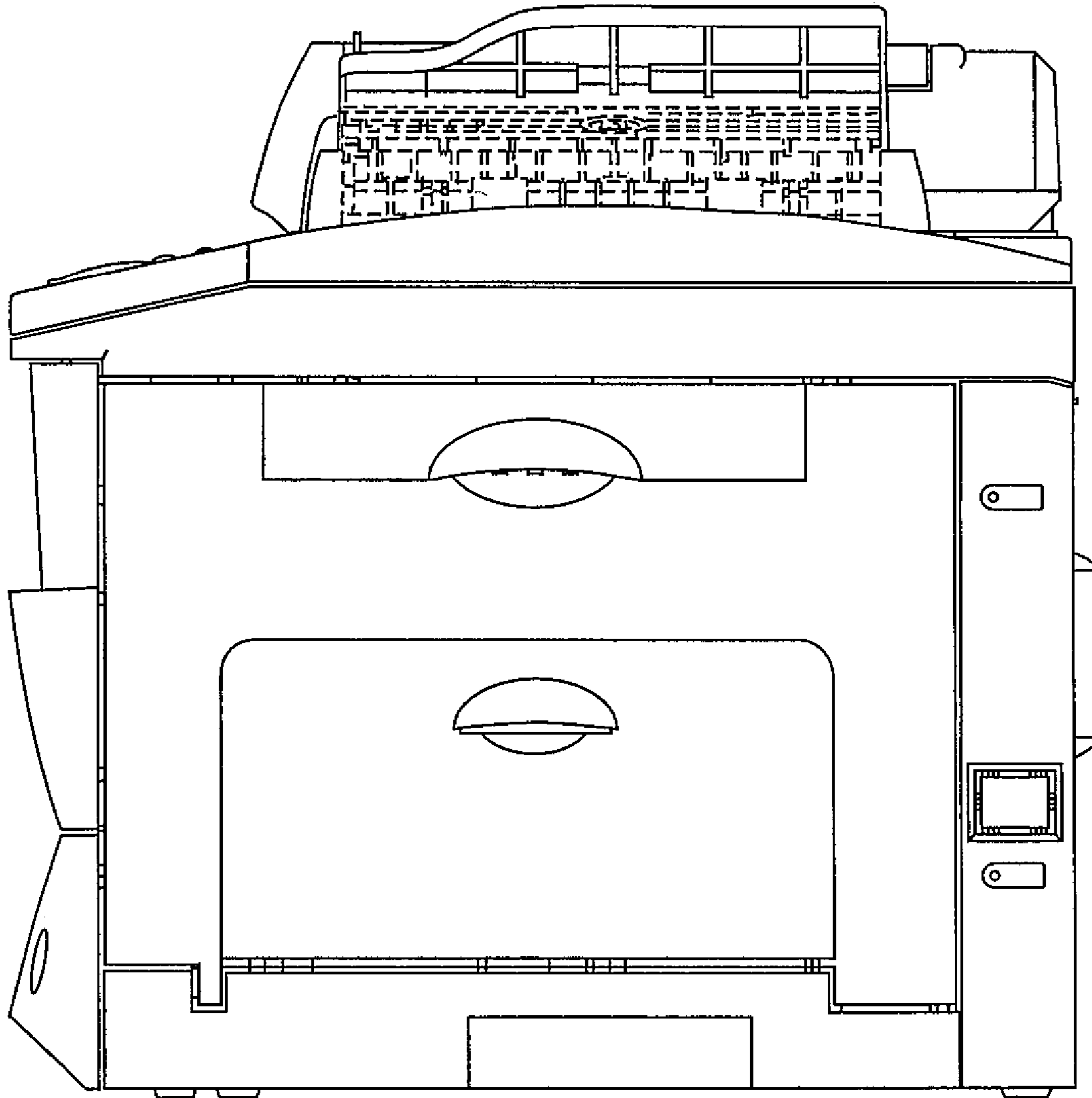


FIG. 6

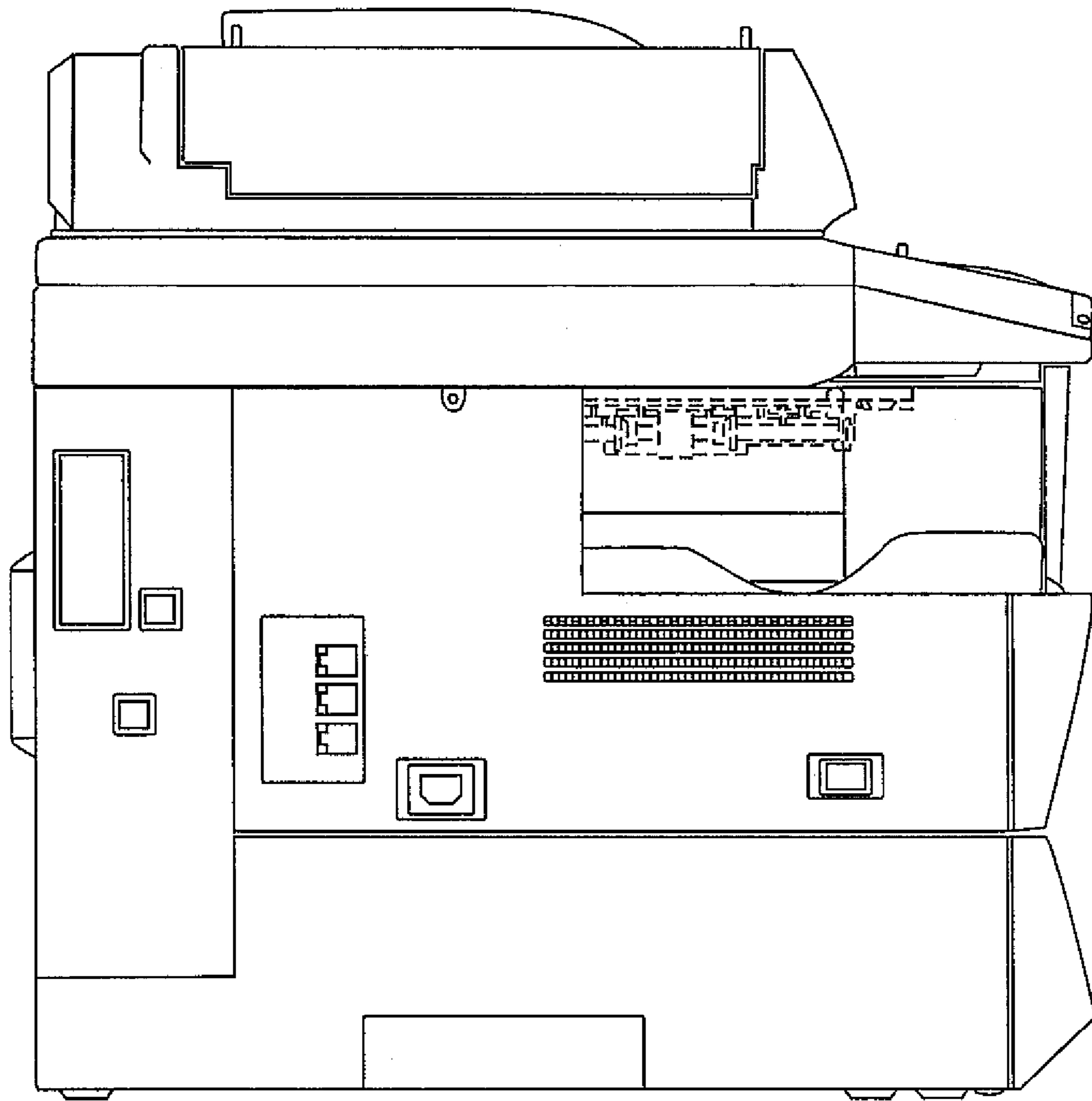


FIG. 7

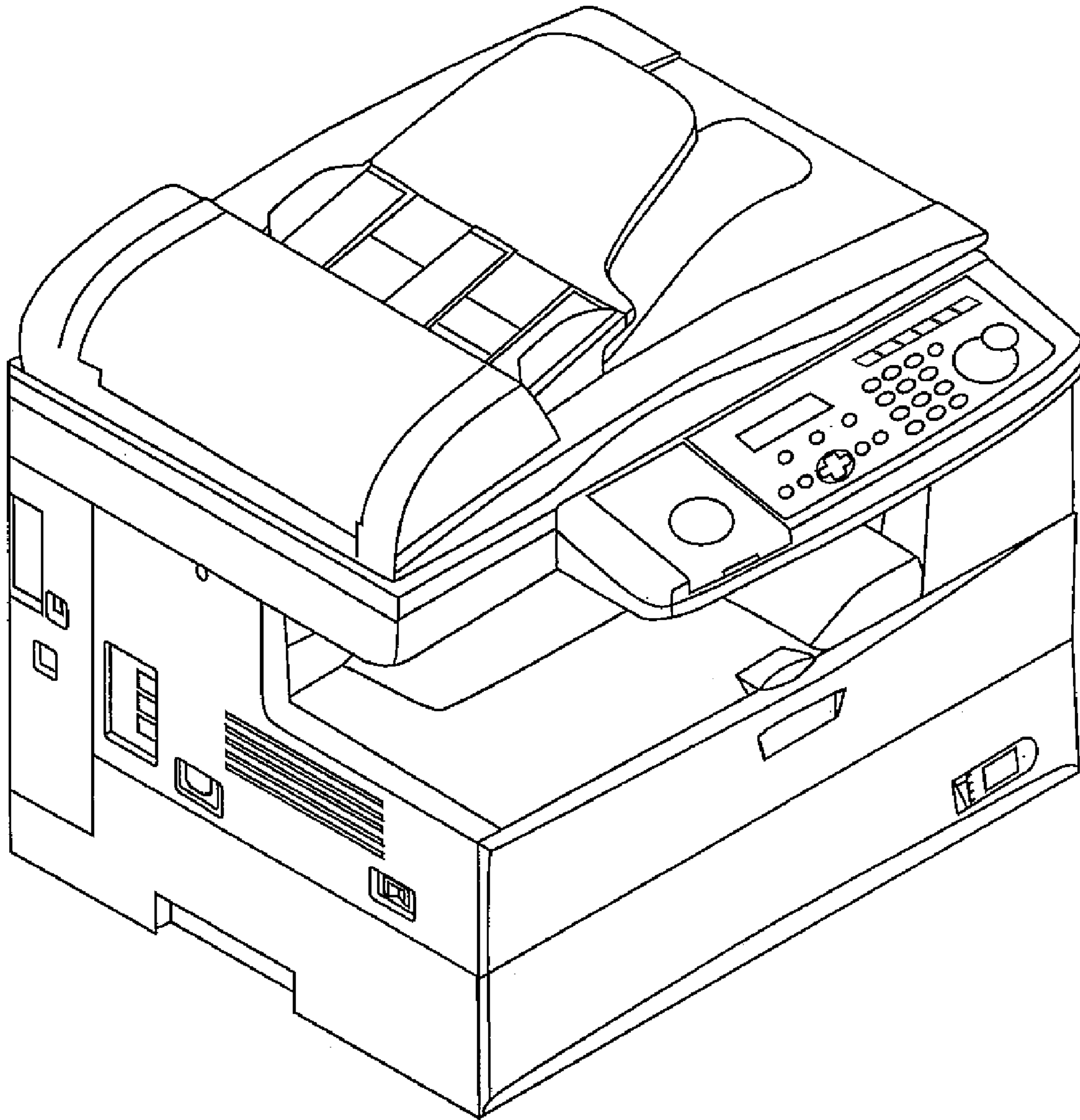


FIG. 8

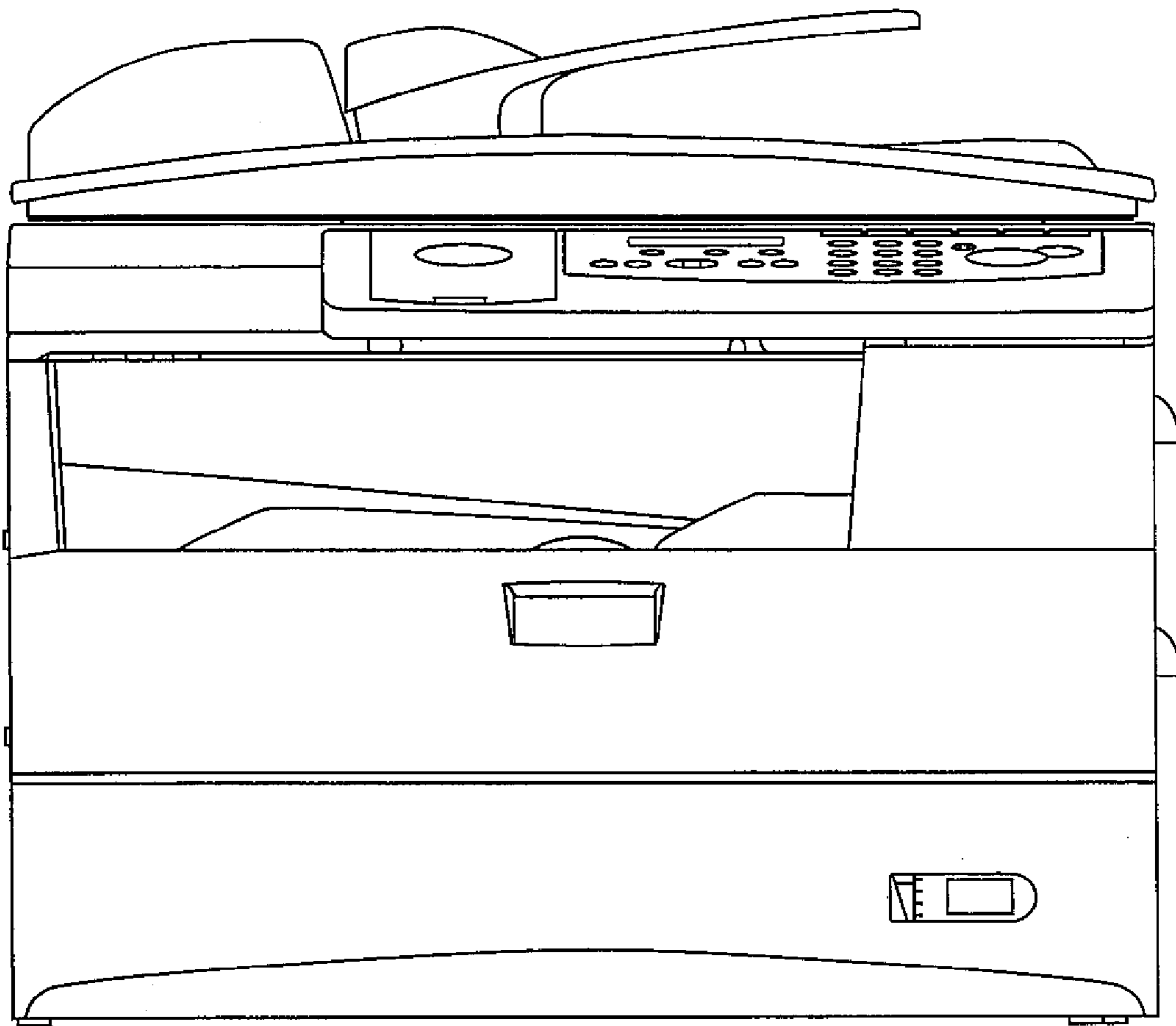


FIG. 9

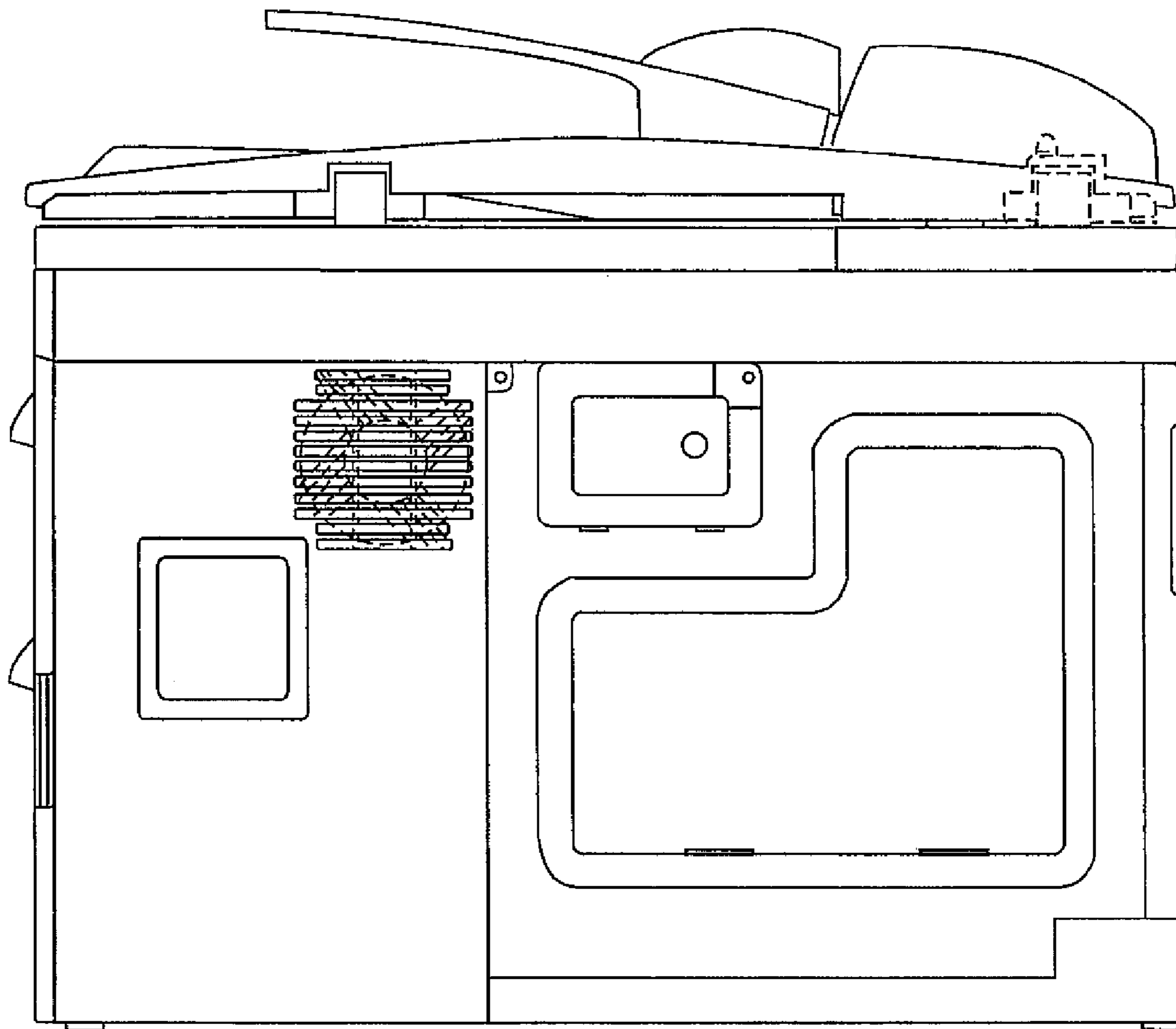


FIG. 10

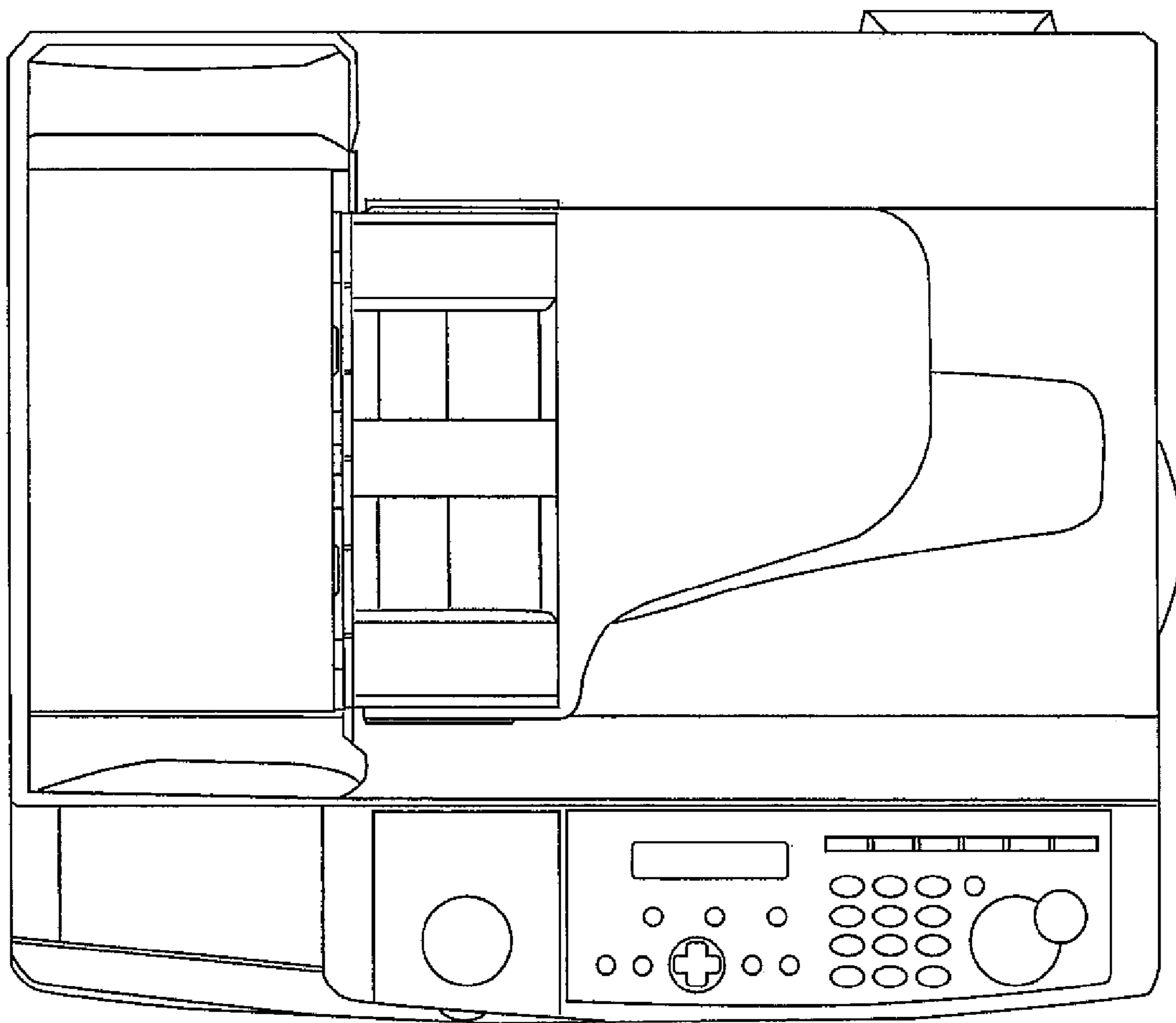


FIG. 11

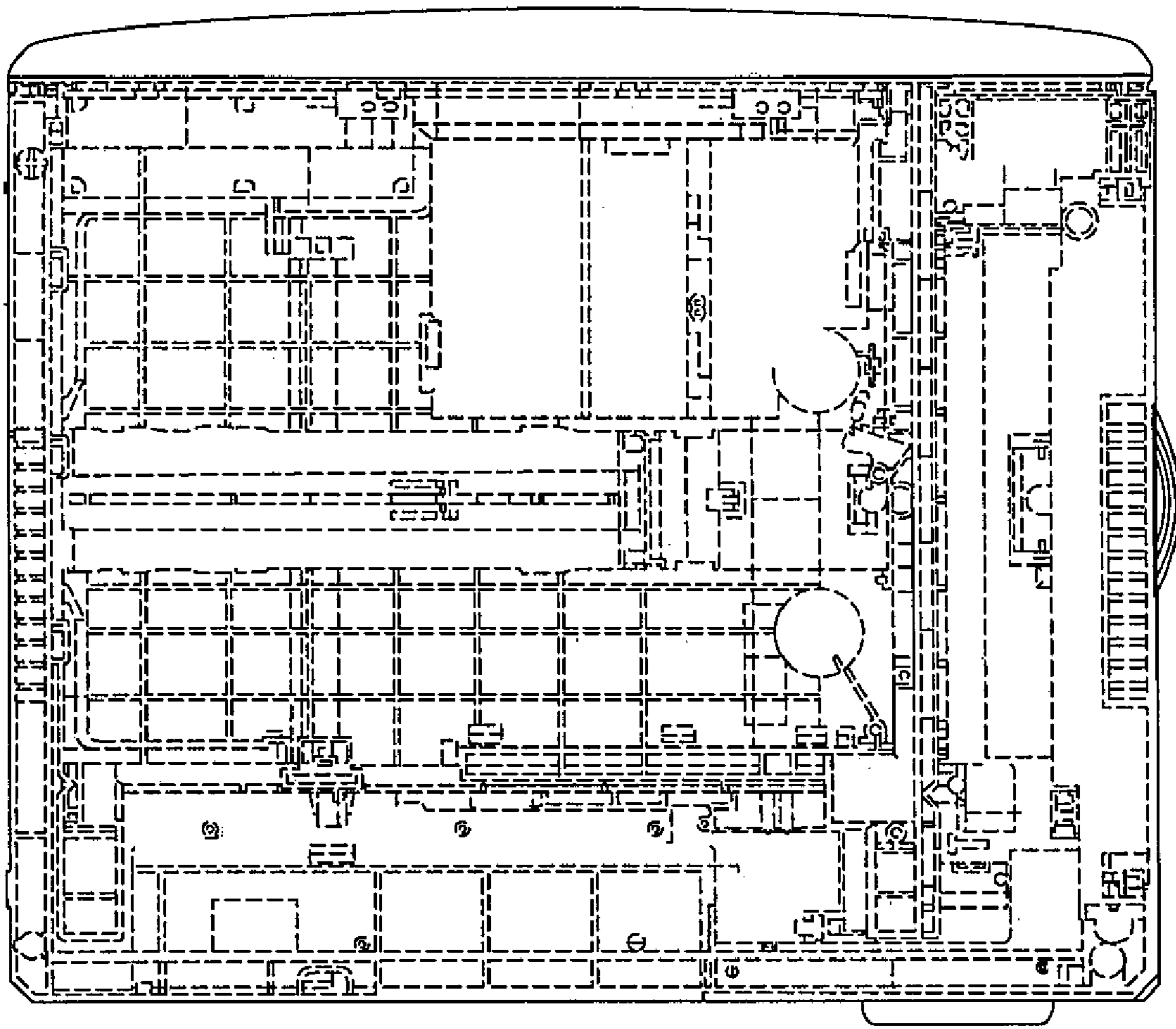


FIG. 12

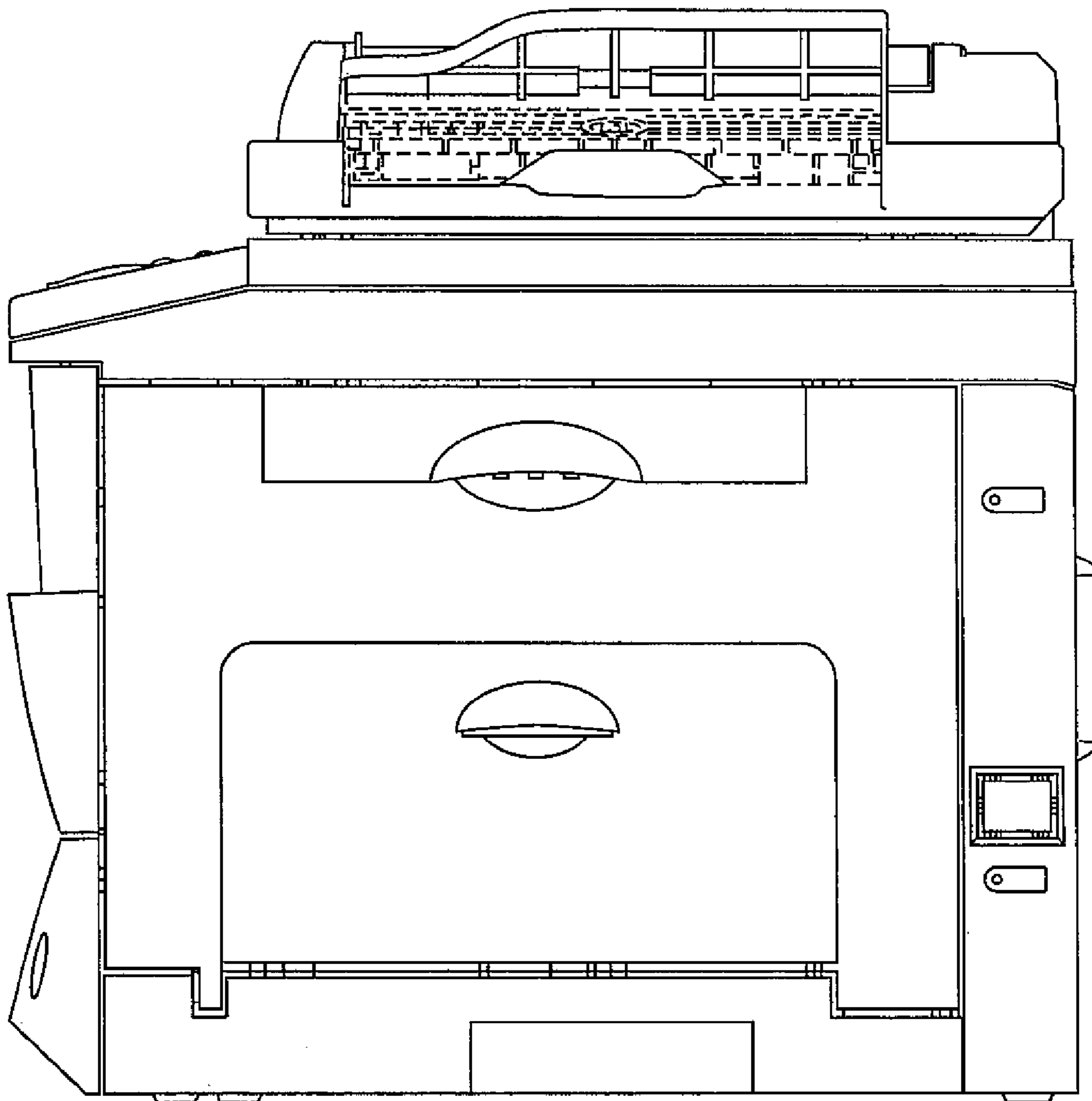


FIG. 13

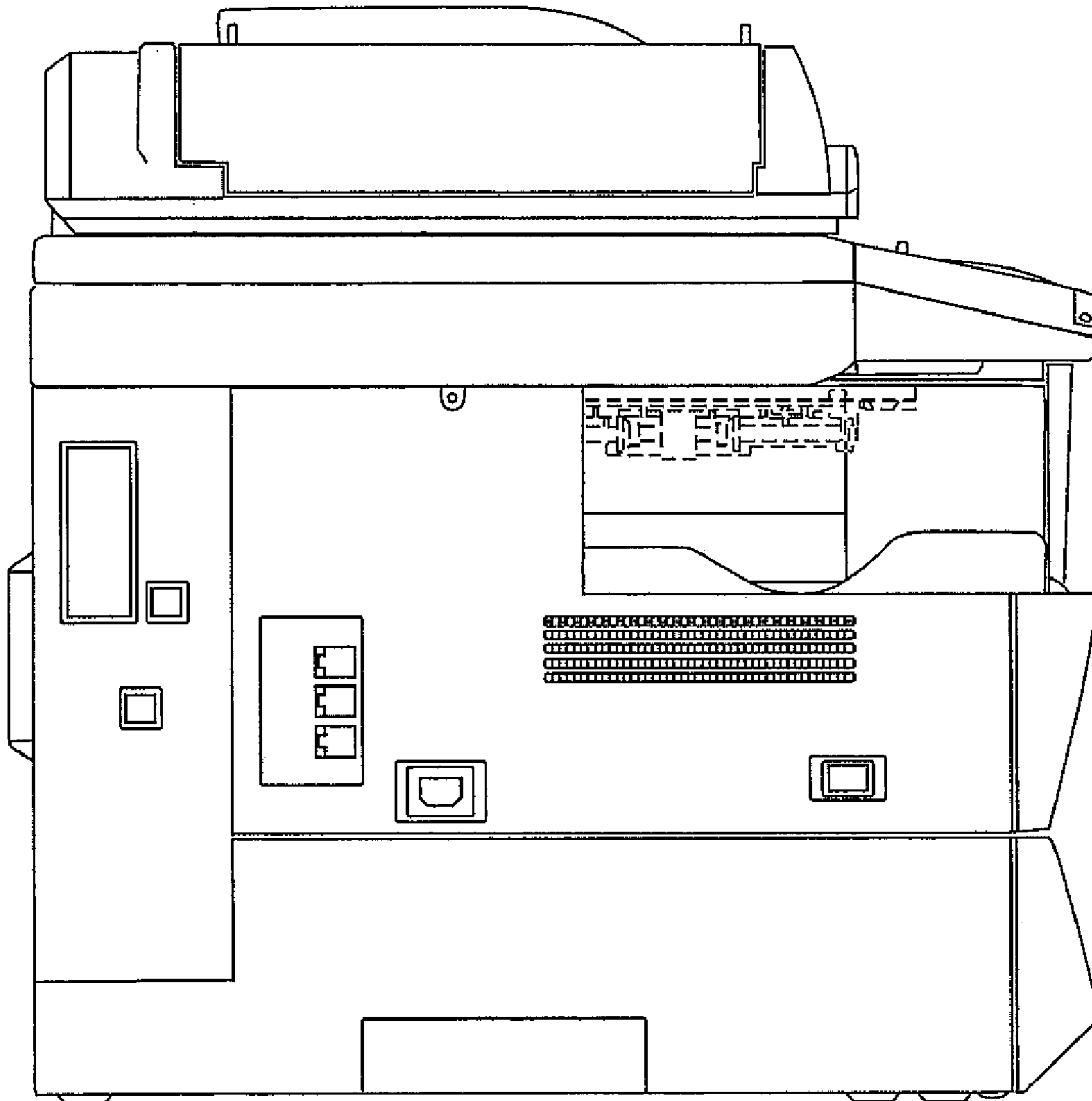


FIG. 14