



US00D549768S

(12) **United States Design Patent**  
**Panebianco et al.**

(10) **Patent No.:** **US D549,768 S**

(45) **Date of Patent:** **\*\* Aug. 28, 2007**

(54) **PRINTER**

(75) Inventors: **Gregory Paul Panebianco**, E.  
Greenwich, RI (US); **Richard James  
Preliasco**, North Kingstown, RI (US)

(73) Assignee: **ZIH Corp.**, Hamilton (BM)

(\*\*) Term: **14 Years**

(21) Appl. No.: **29/249,300**

(22) Filed: **Sep. 29, 2006**

(51) **LOC (8) Cl.** ..... **18-02**

(52) **U.S. Cl.** ..... **D18/14**

(58) **Field of Classification Search** ..... D18/50,  
D18/52, 53, 54, 56, 14, 18, 19; D14/399,  
D14/463, 464; D13/164, 168; 400/613,  
400/613.1–613.4, 691–694; 101/93.4, 269;  
355/78

See application file for complete search history.

(56) **References Cited**

**U.S. PATENT DOCUMENTS**

D329,871 S	*	9/1992	Umino et al.	.....	D18/56
D379,195 S	*	5/1997	Stanton	.....	D18/50
D386,515 S	*	11/1997	Sommerville et al.	....	D18/54.1
D422,631 S	*	4/2000	Toriyama et al.	.....	D18/50
D430,199 S	*	8/2000	Petteruti et al.	.....	D18/50
D527,043 S	*	8/2006	Borne et al.	.....	D18/50
D532,039 S	*	11/2006	Beck et al.	.....	D18/50
D536,370 S	*	2/2007	Smolenski et al.	.....	D18/50

\* cited by examiner

*Primary Examiner*—Charles A. Rademaker

(74) *Attorney, Agent, or Firm*—Alston & Bird LLP

(57) **CLAIM**

The ornamental design for a printer, as shown and described.

**DESCRIPTION**

FIG. 1 is a perspective view of a printer showing our new design;

FIG. 2 is a top plan view of thereof;

FIG. 3 is a bottom plan view thereof;

FIG. 4 is a right side elevation thereof;

FIG. 5 is a left side elevation thereof;

FIG. 6 is a front elevation view thereof;

FIG. 7 is a rear elevation view thereof;

FIG. 8 is another perspective view thereof showing the cover in an open position;

FIG. 9 is a right side elevation view thereof;

FIG. 10 is a perspective view of a modified embodiment of the design shown in FIGS. 1 through 9;

FIG. 11 is a top plan view of thereof;

FIG. 12 is a bottom plan view thereof;

FIG. 13 is a right side elevation thereof;

FIG. 14 is a left side elevation thereof;

FIG. 15 is a front elevation thereof;

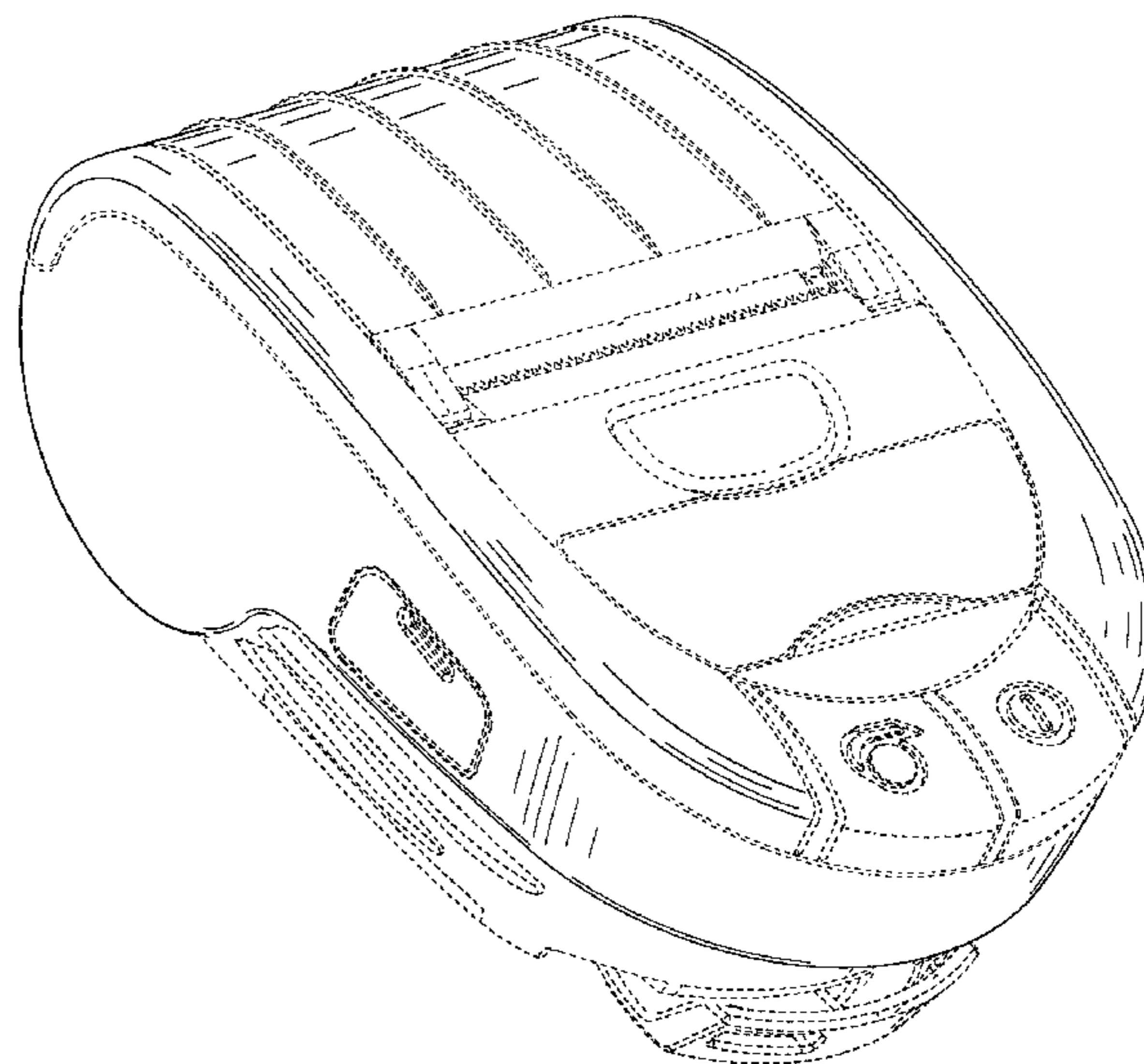
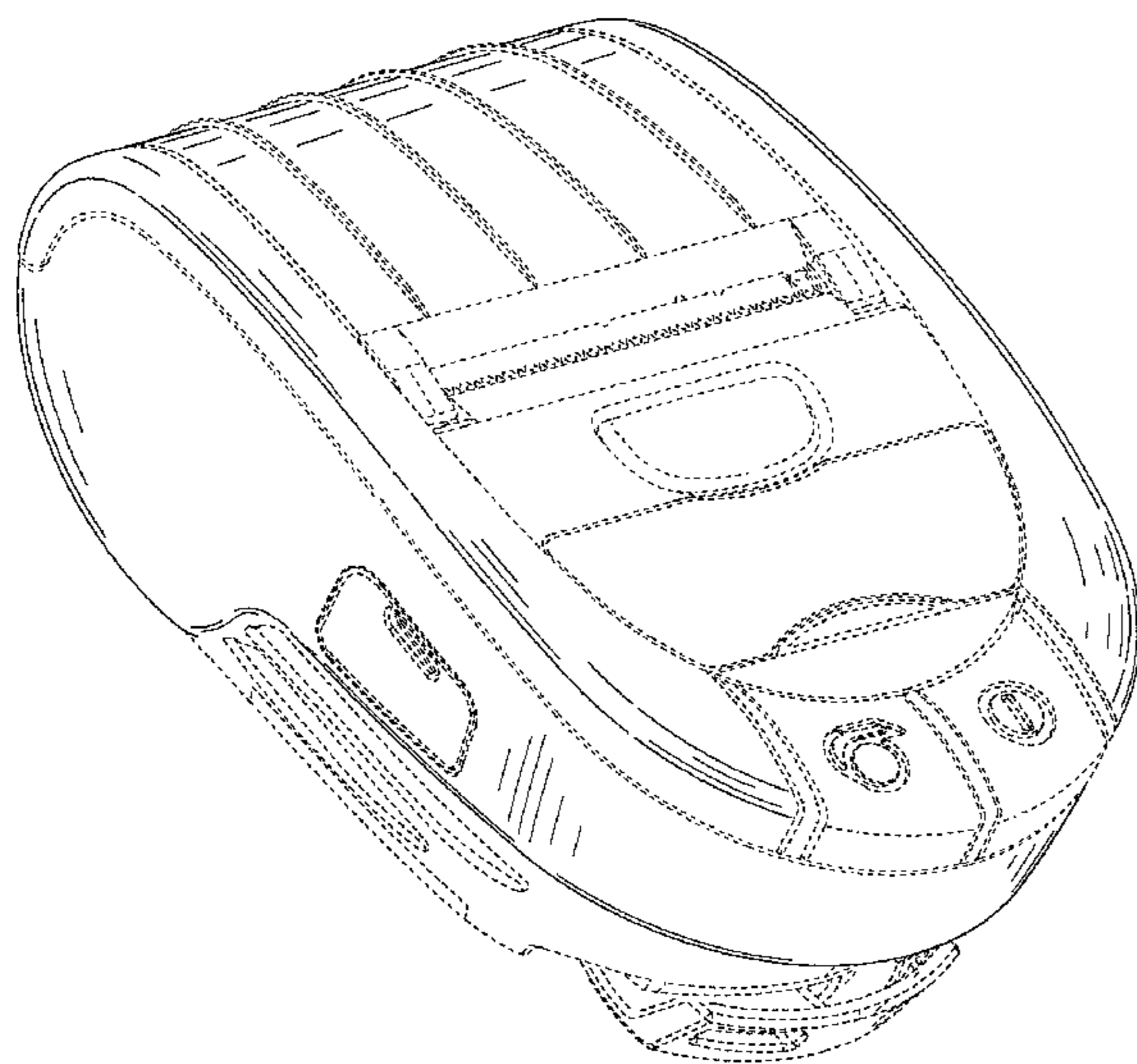
FIG. 16 is a rear elevation thereof;

FIG. 17 is another perspective view thereof showing the cover in an open position; and,

FIG. 18 is a right side elevation view thereof.

The broken lines shown herein are for illustrative purposes only and form no part of the claimed design.

**1 Claim, 18 Drawing Sheets**



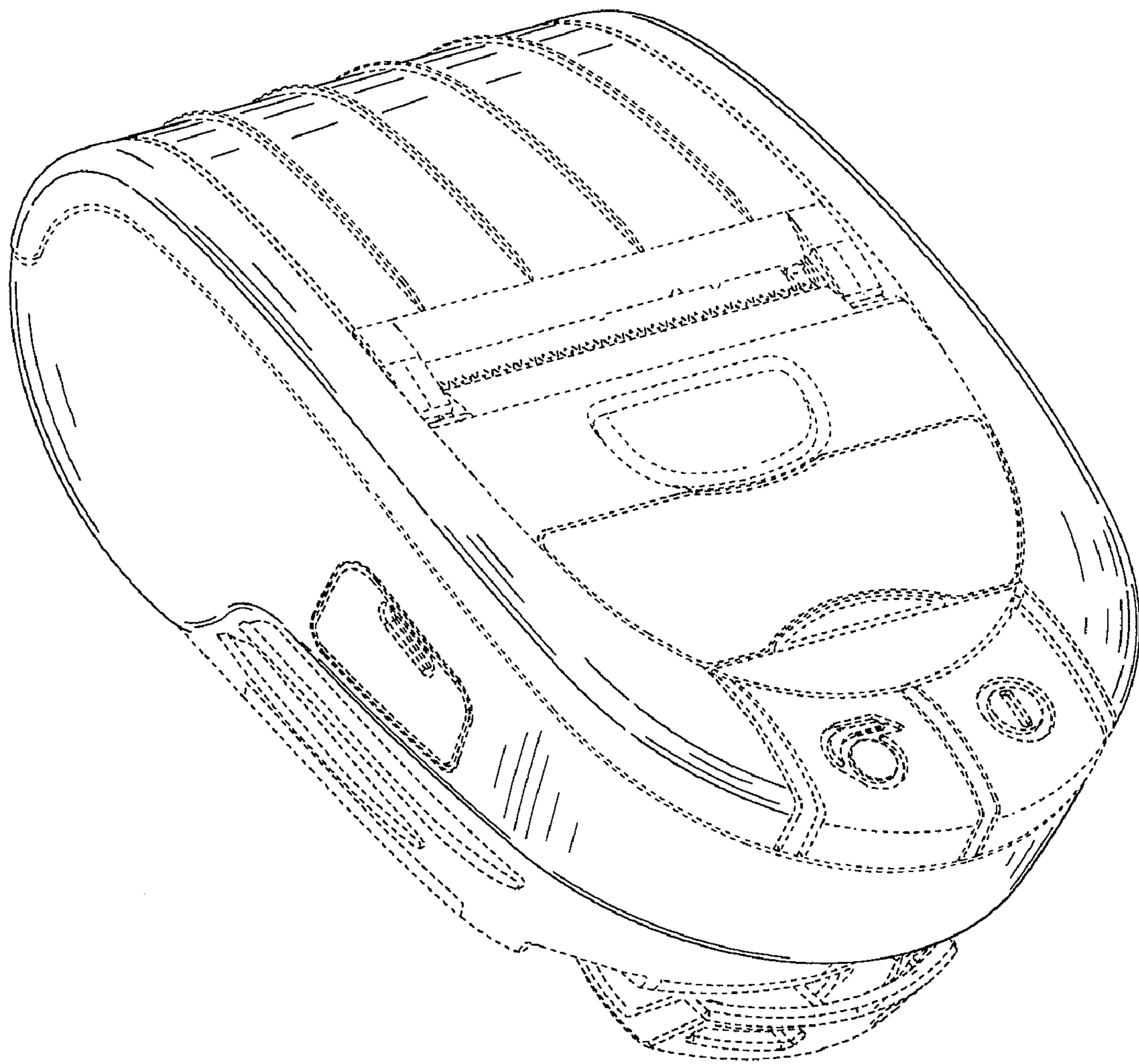


FIG. 1

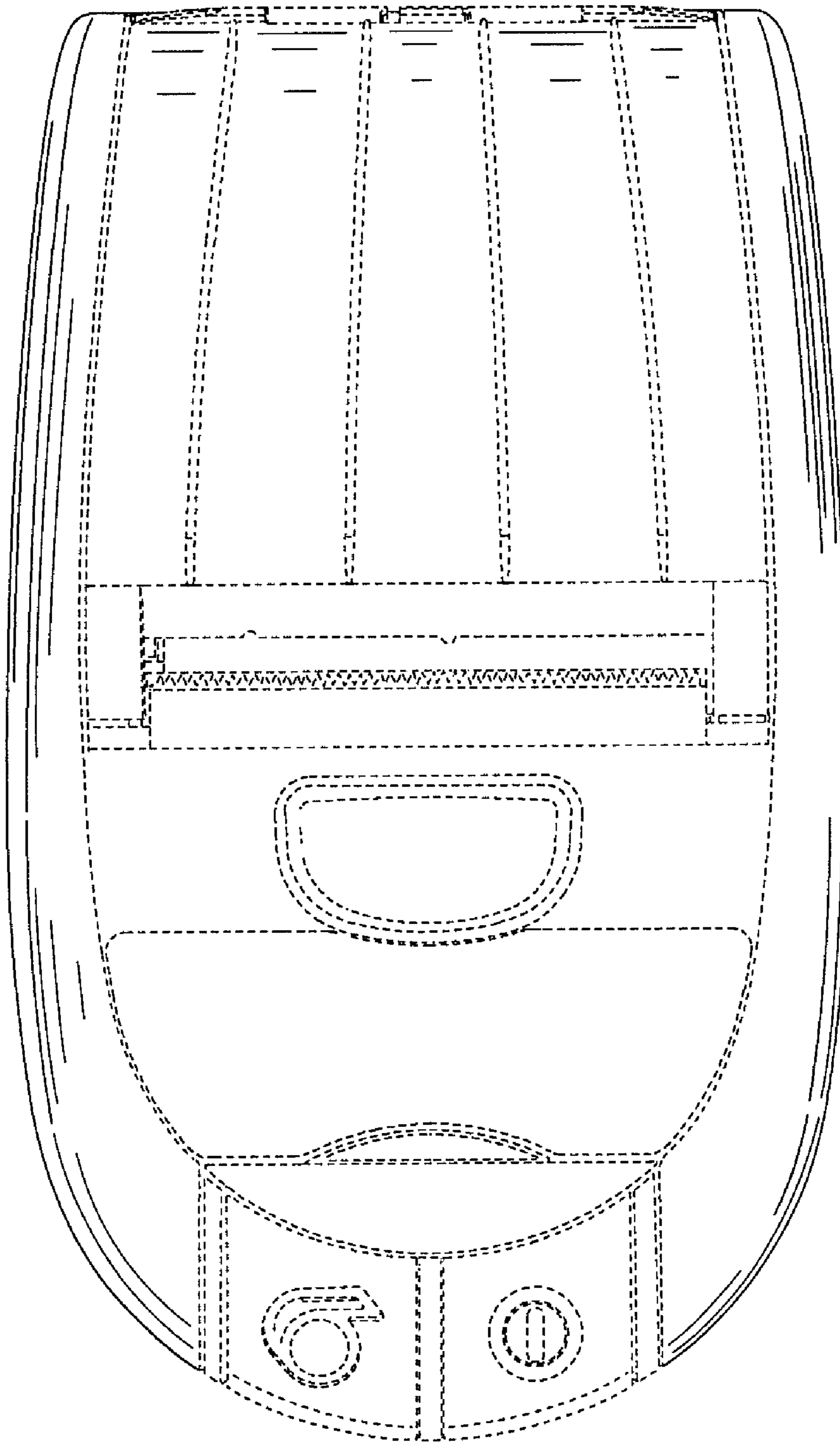


FIG. 2

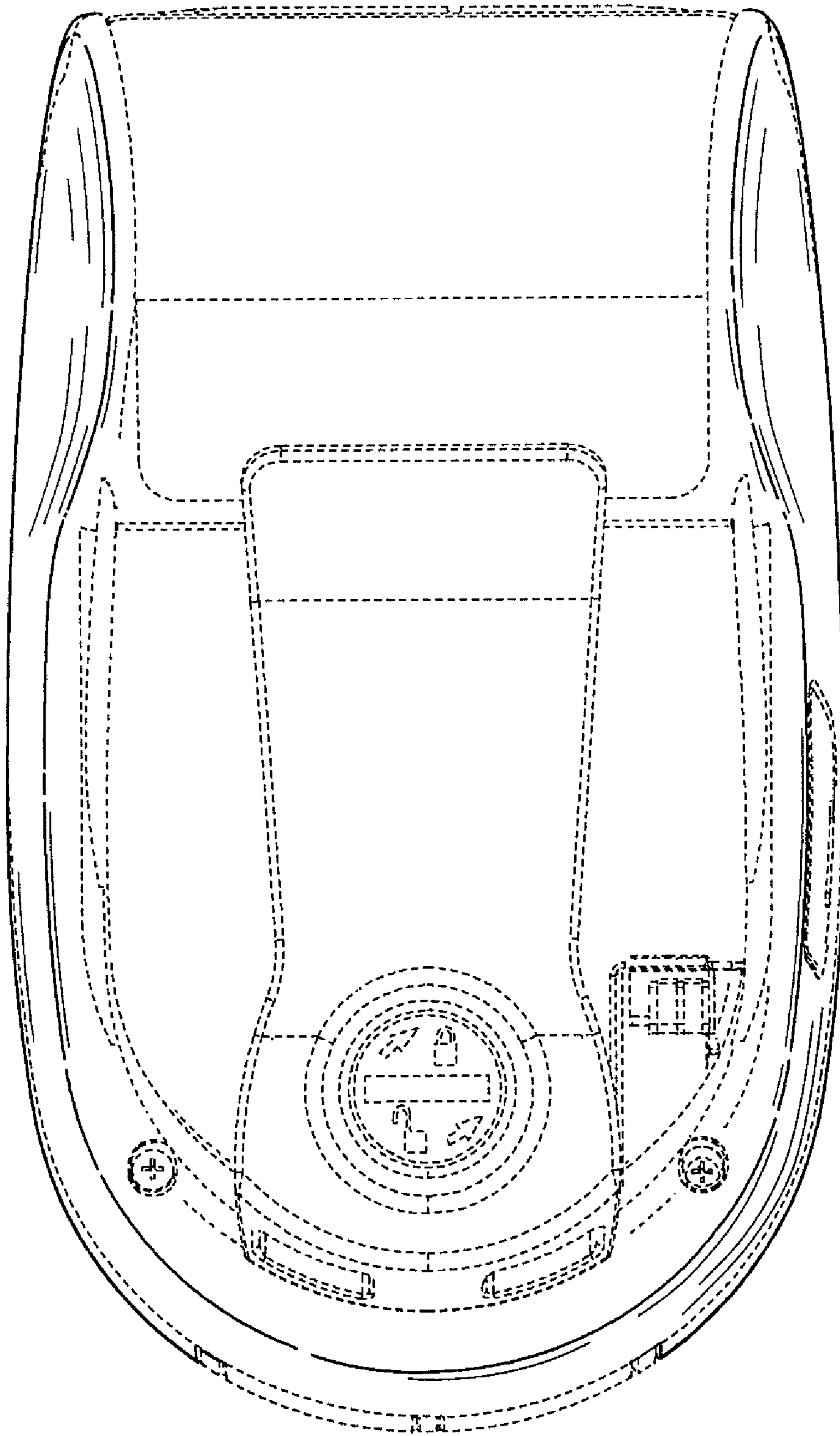


FIG. 3

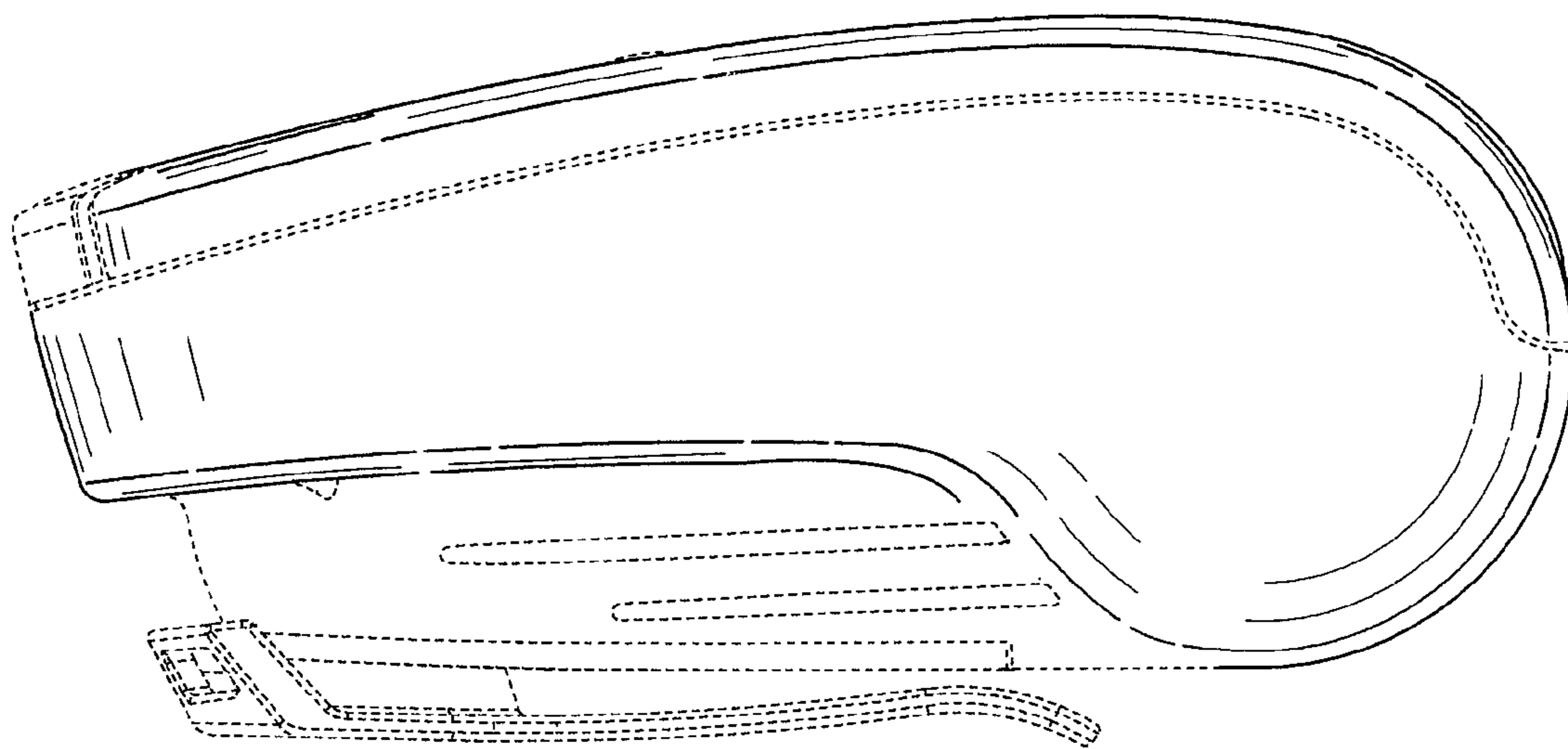


FIG. 4

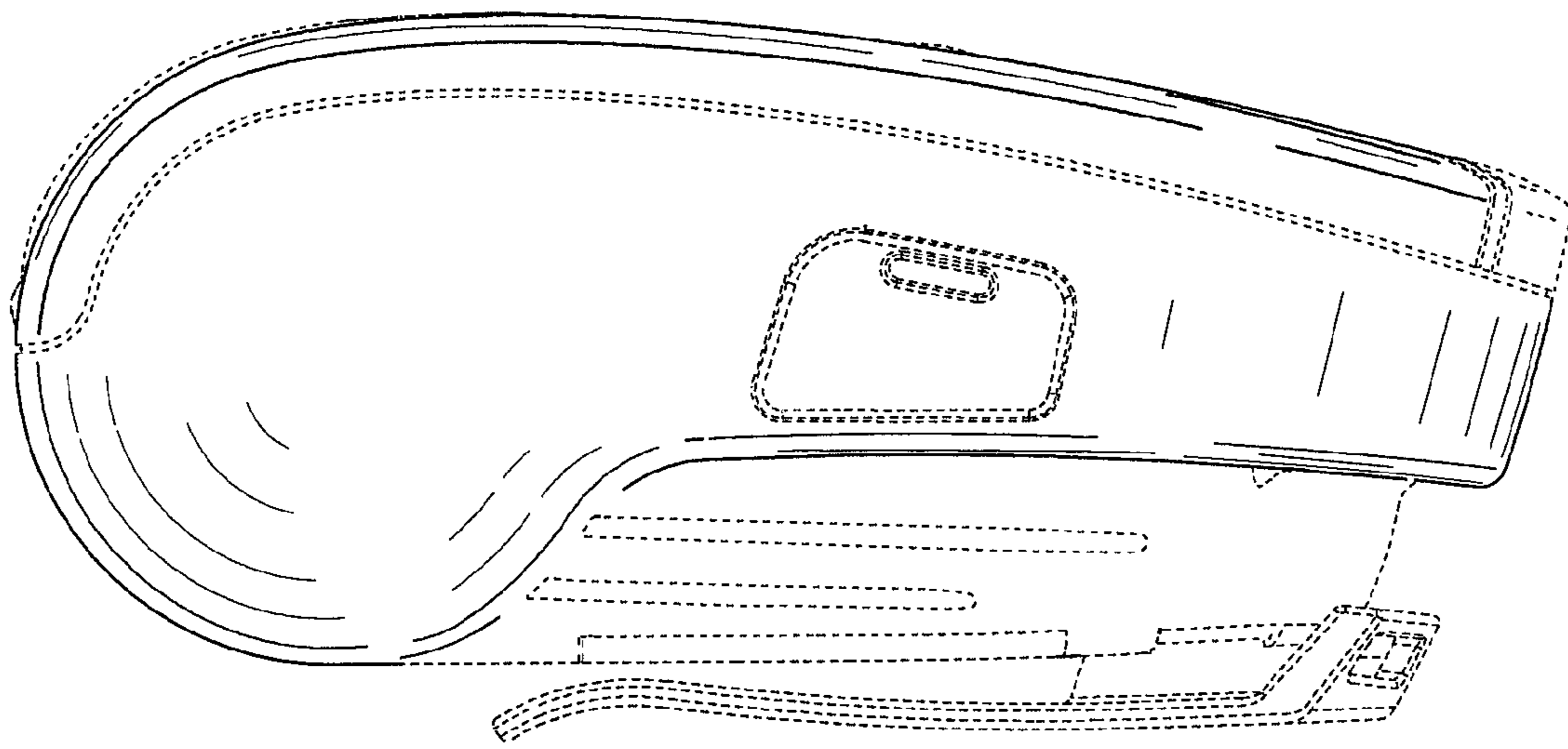
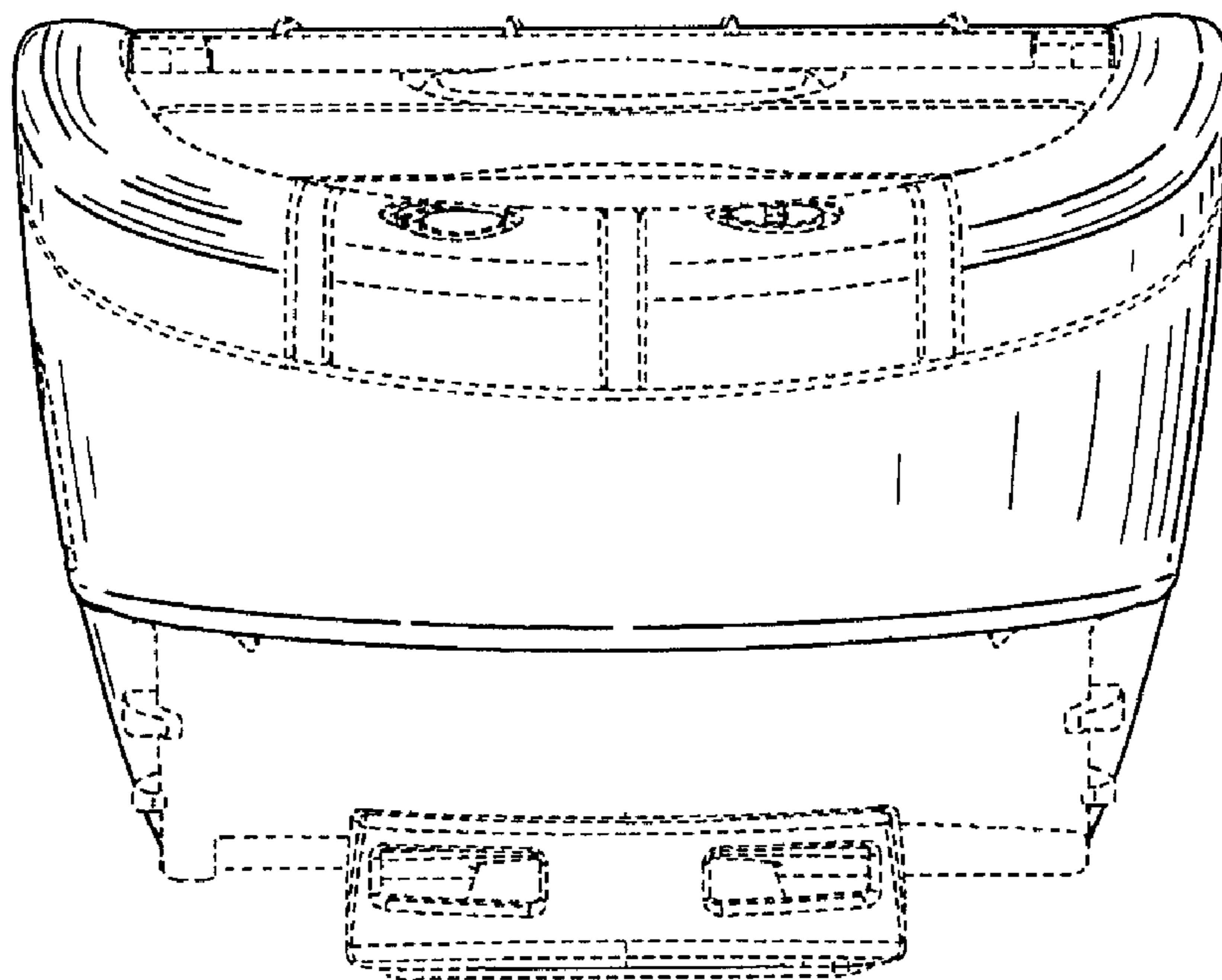
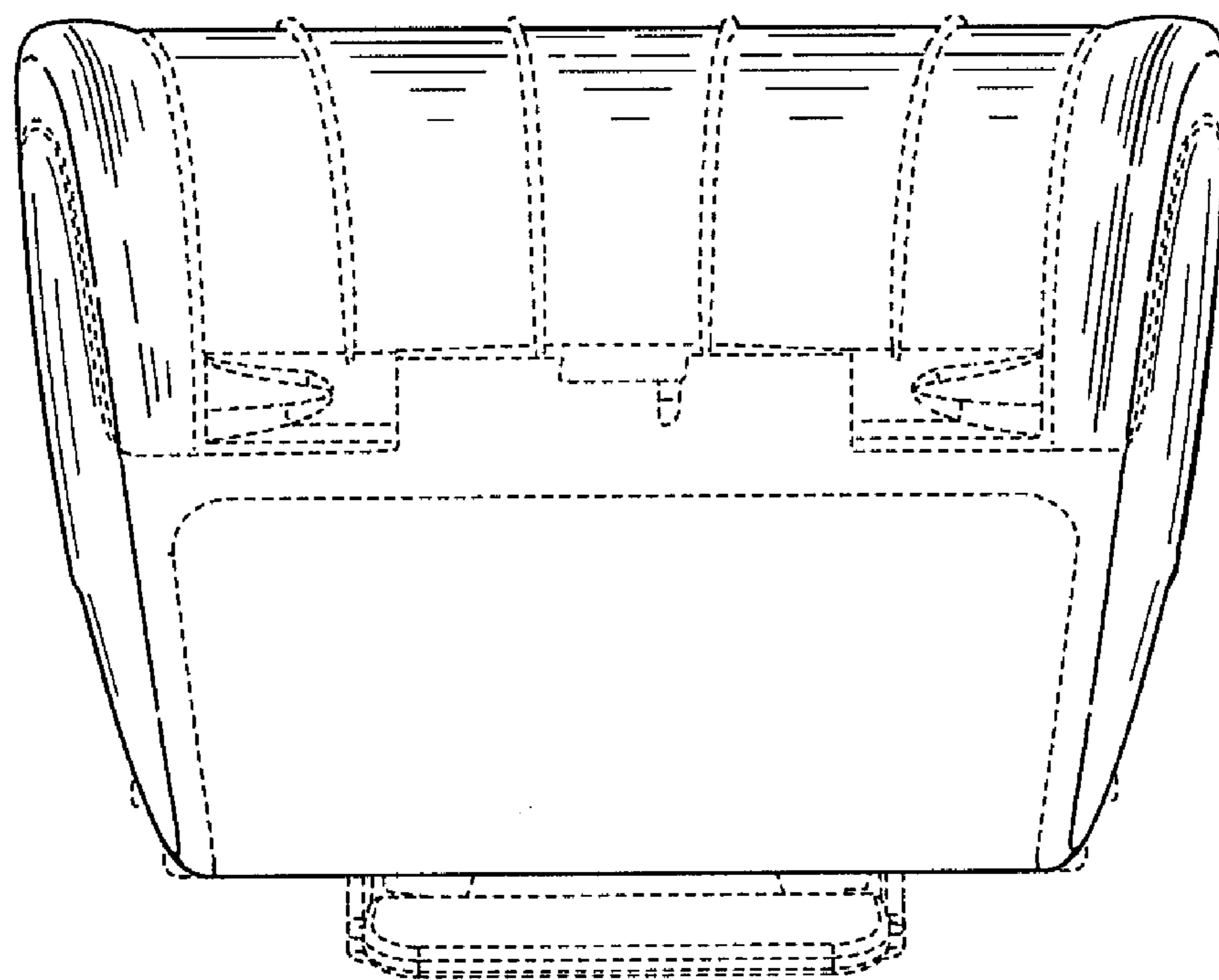


FIG. 5



**FIG. 6**



**FIG. 7**



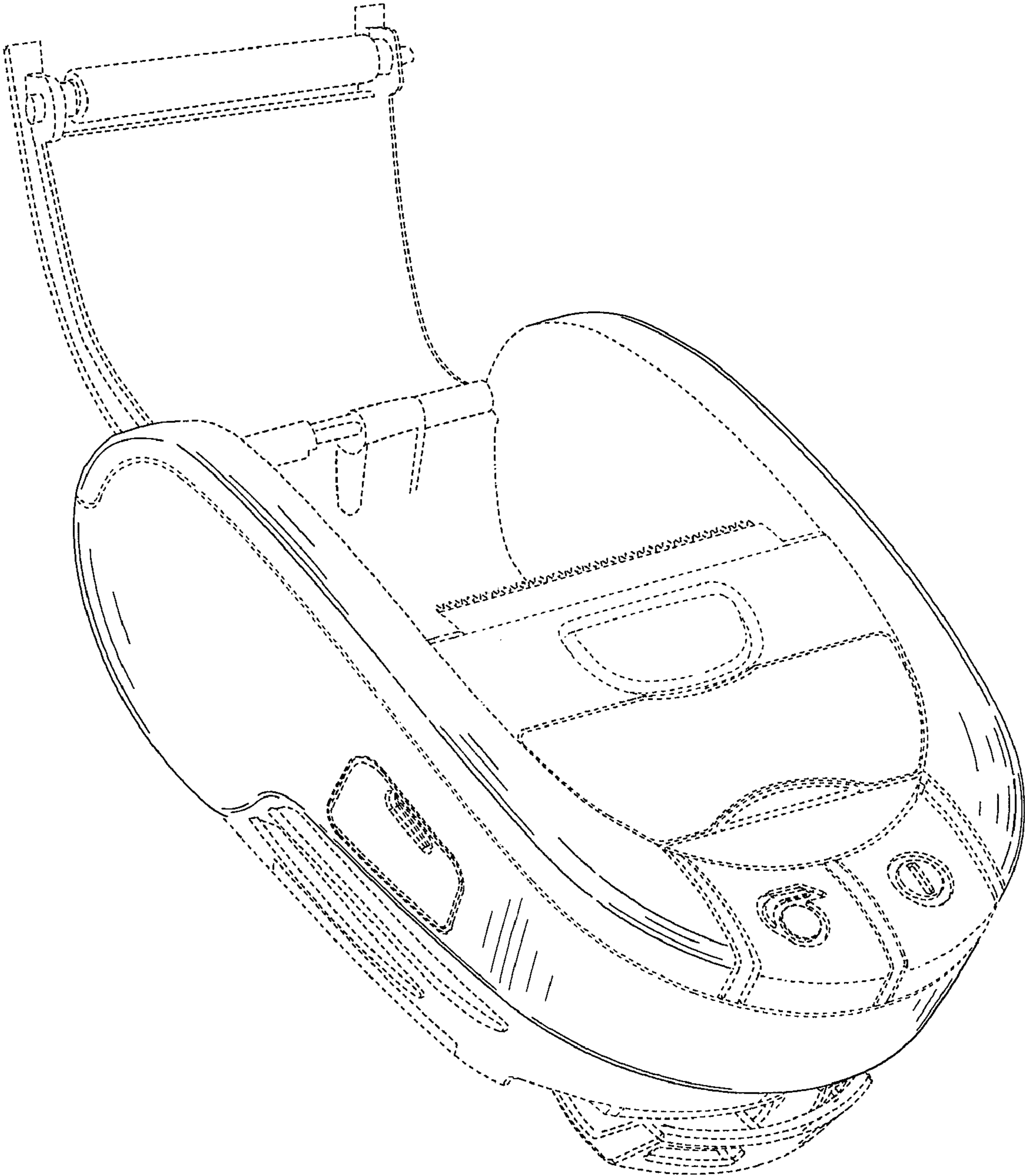


FIG. 8

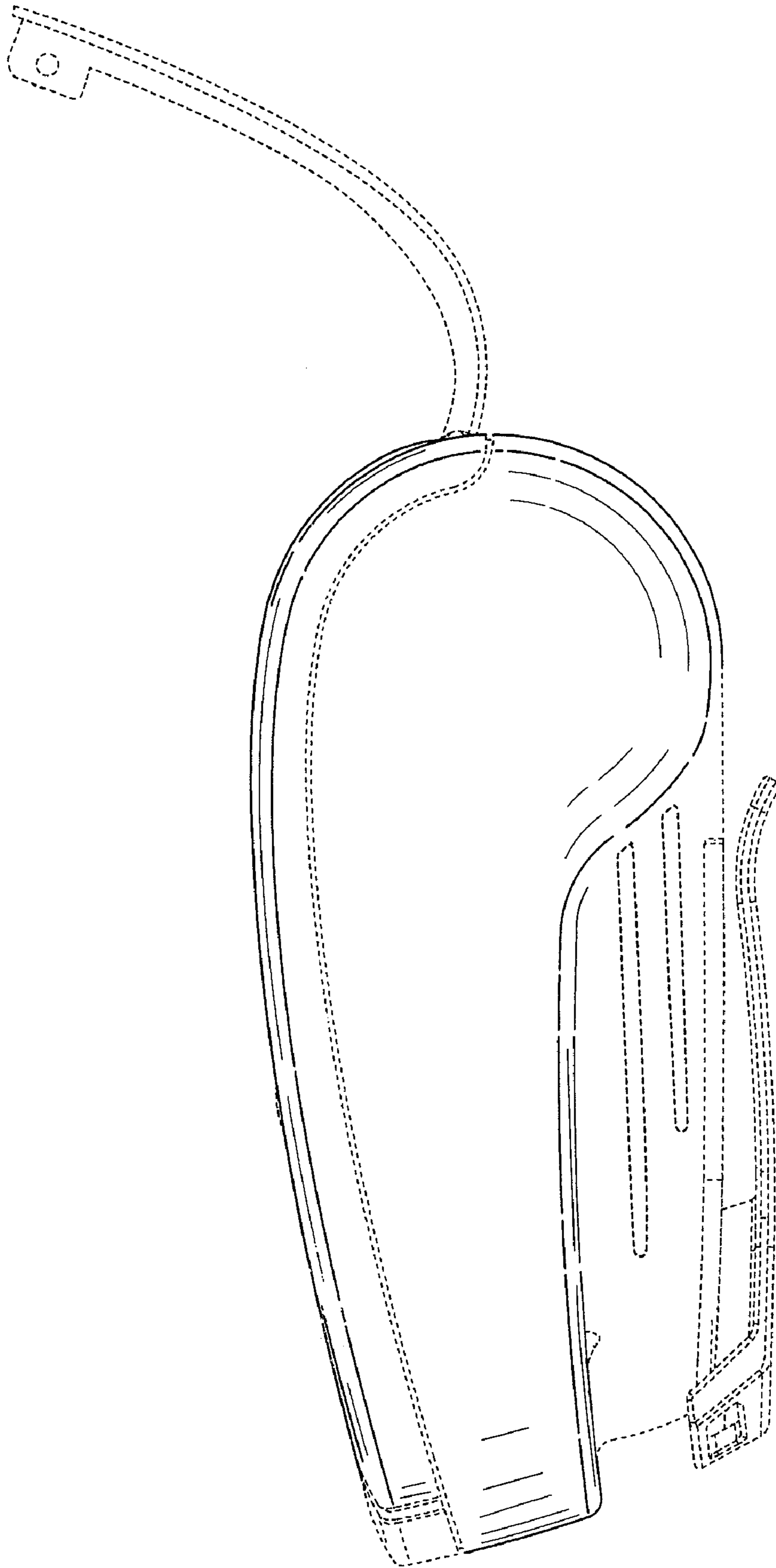
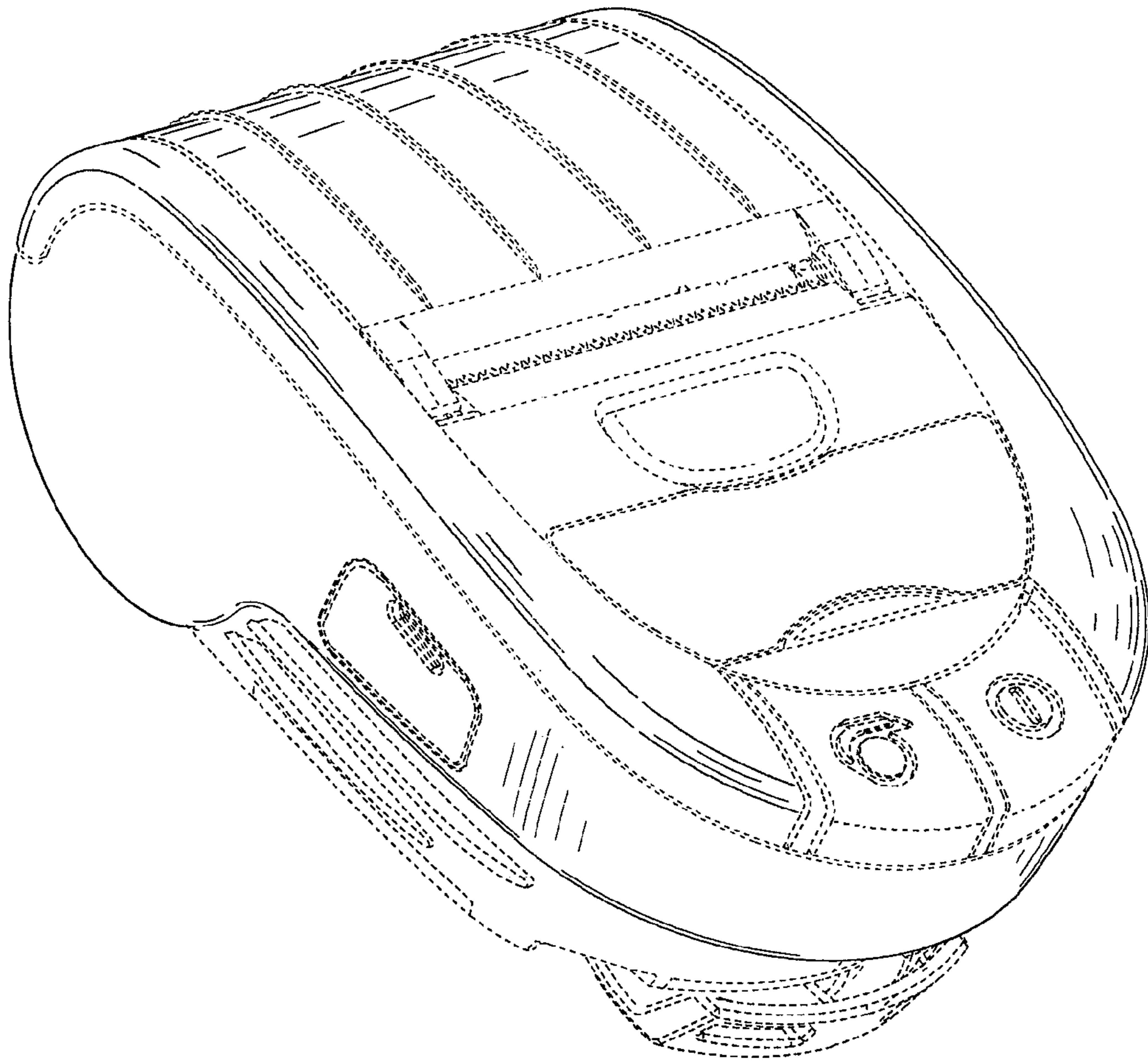
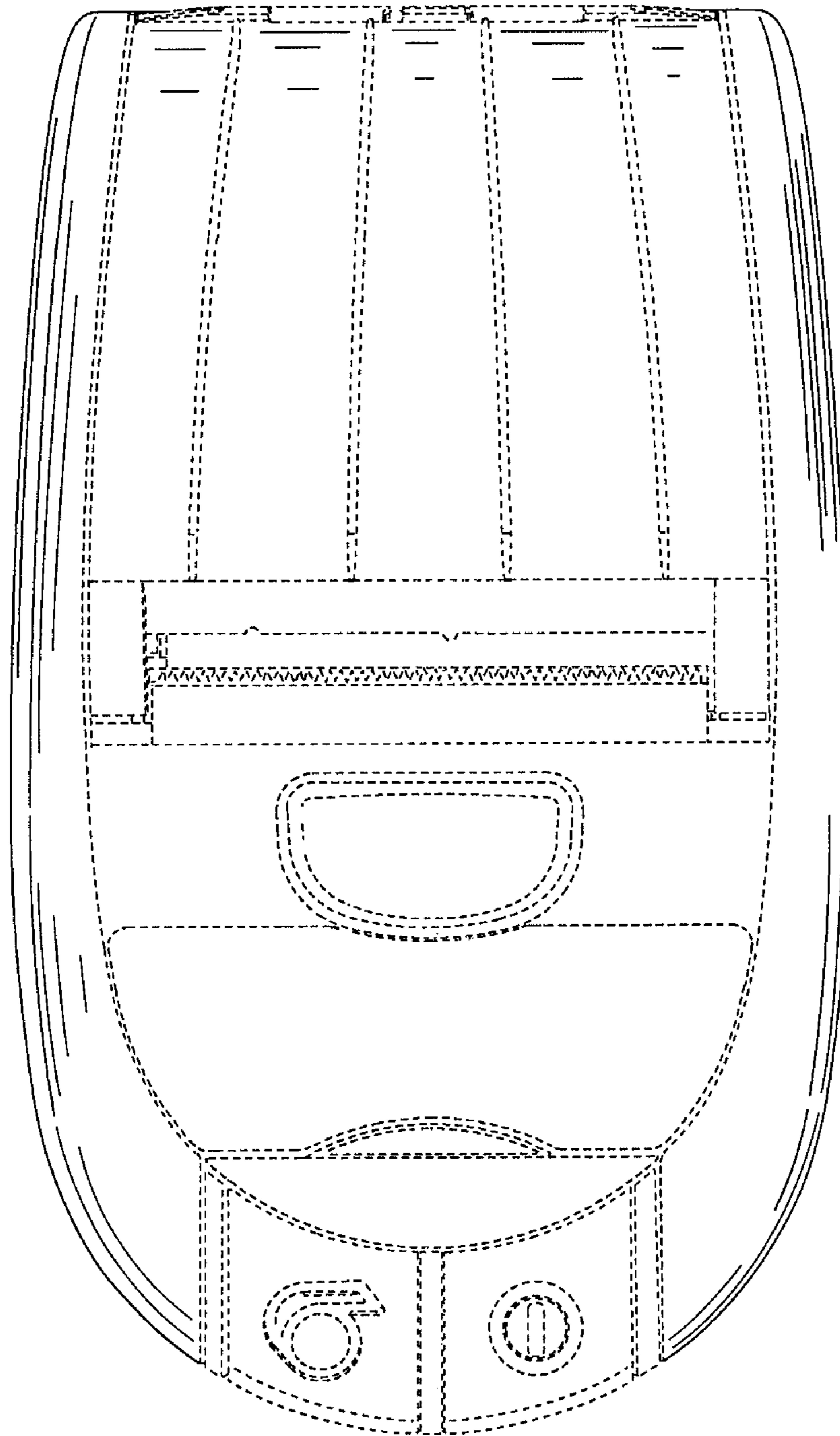


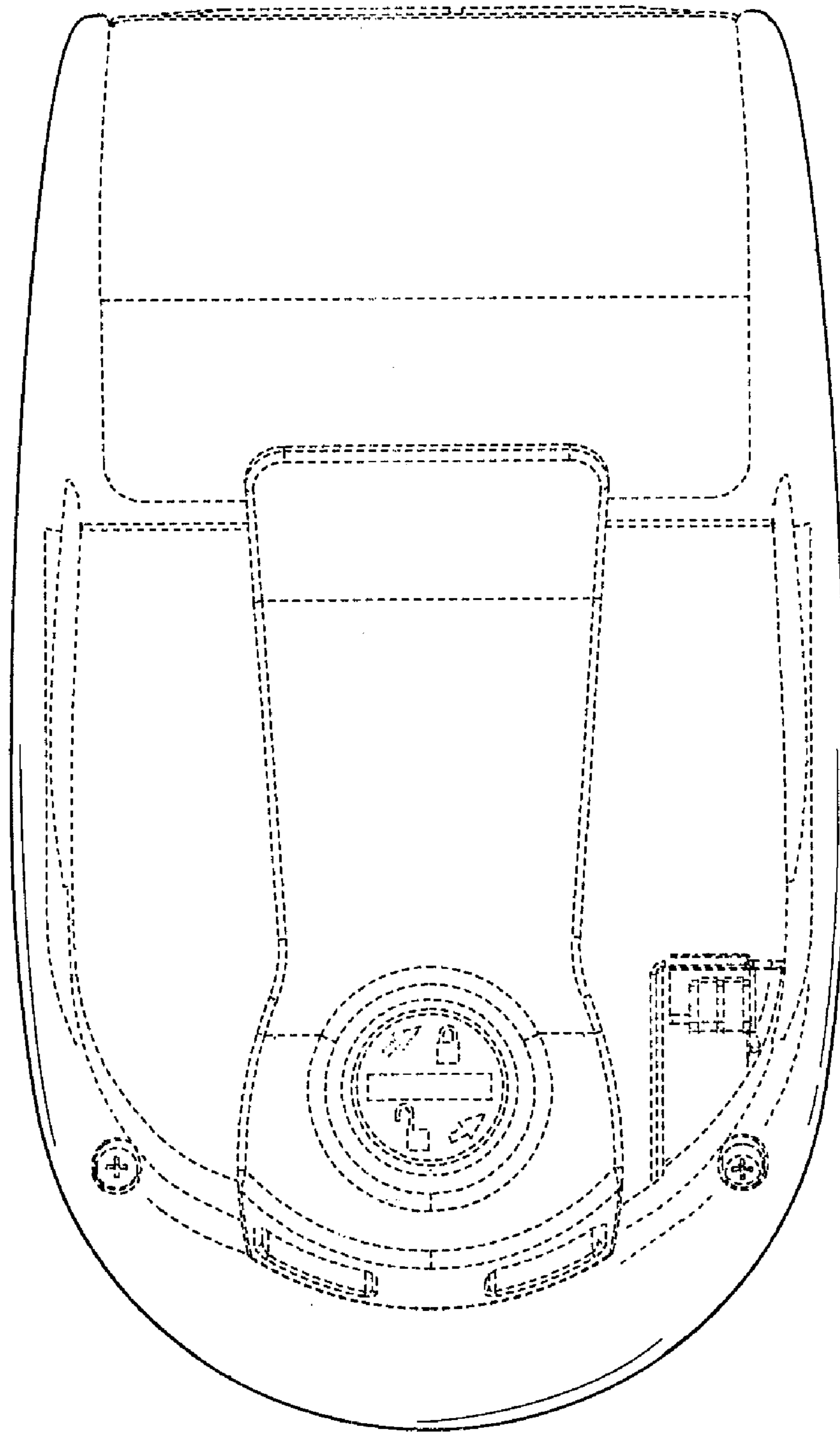
FIG. 9



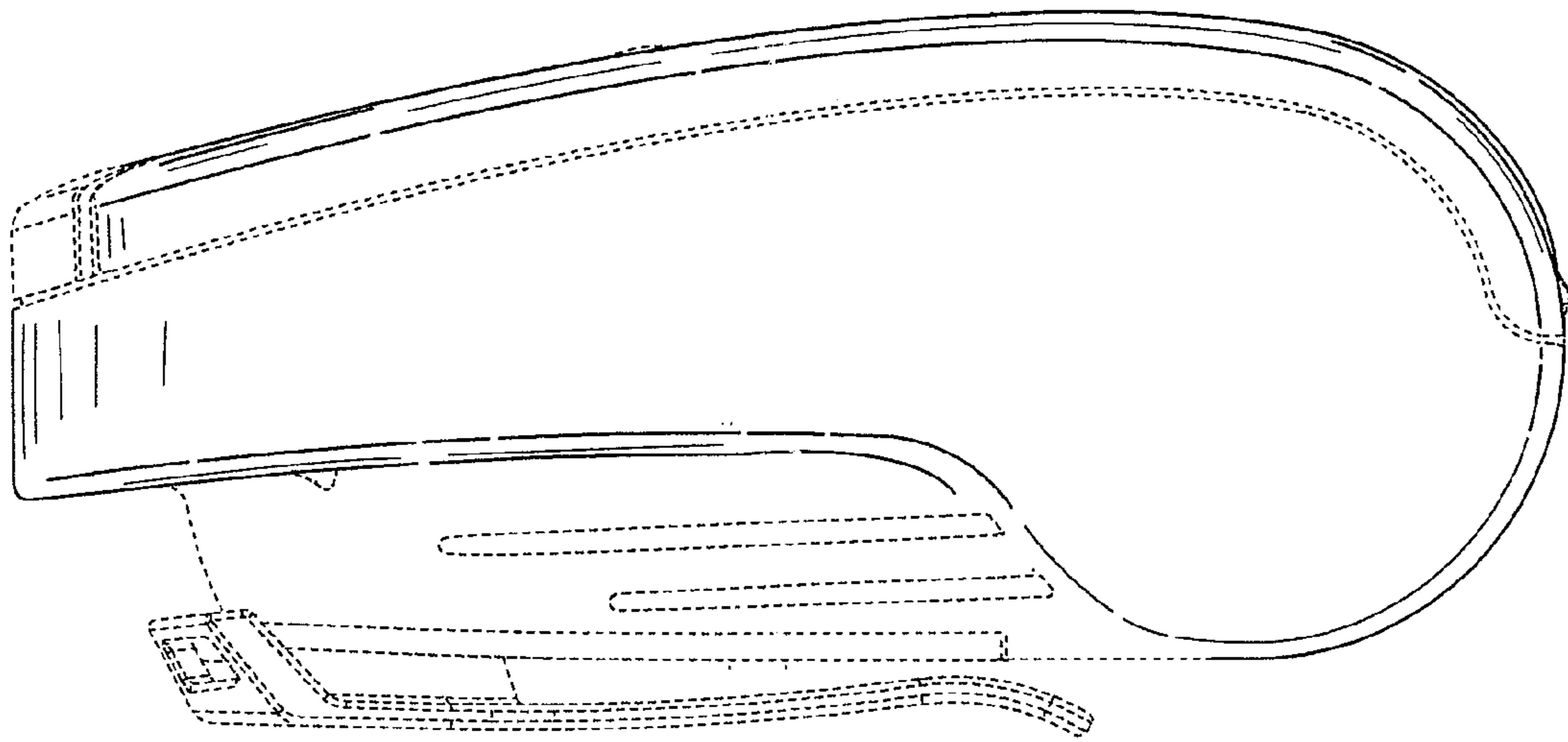
**FIG. 10**



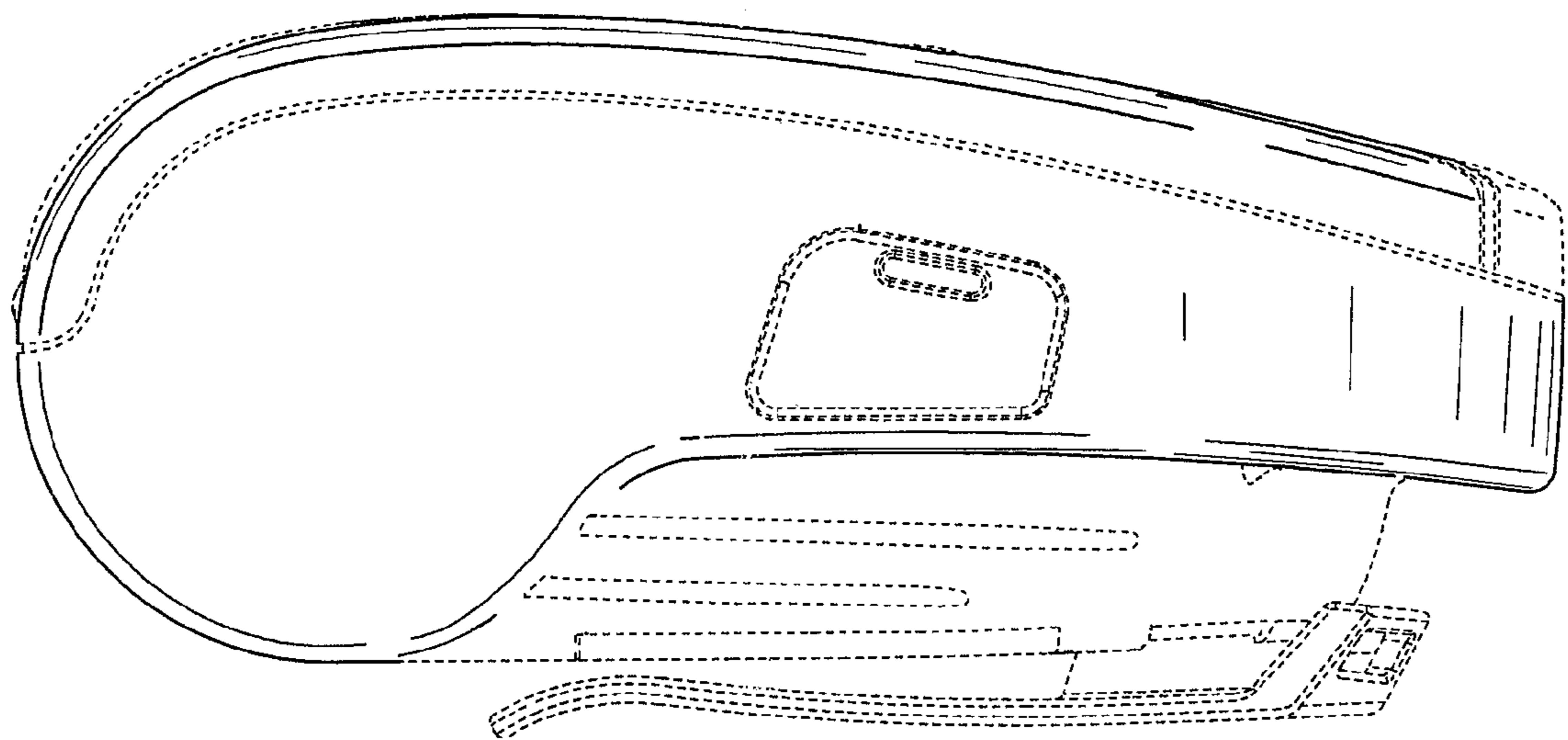
**FIG. 11**



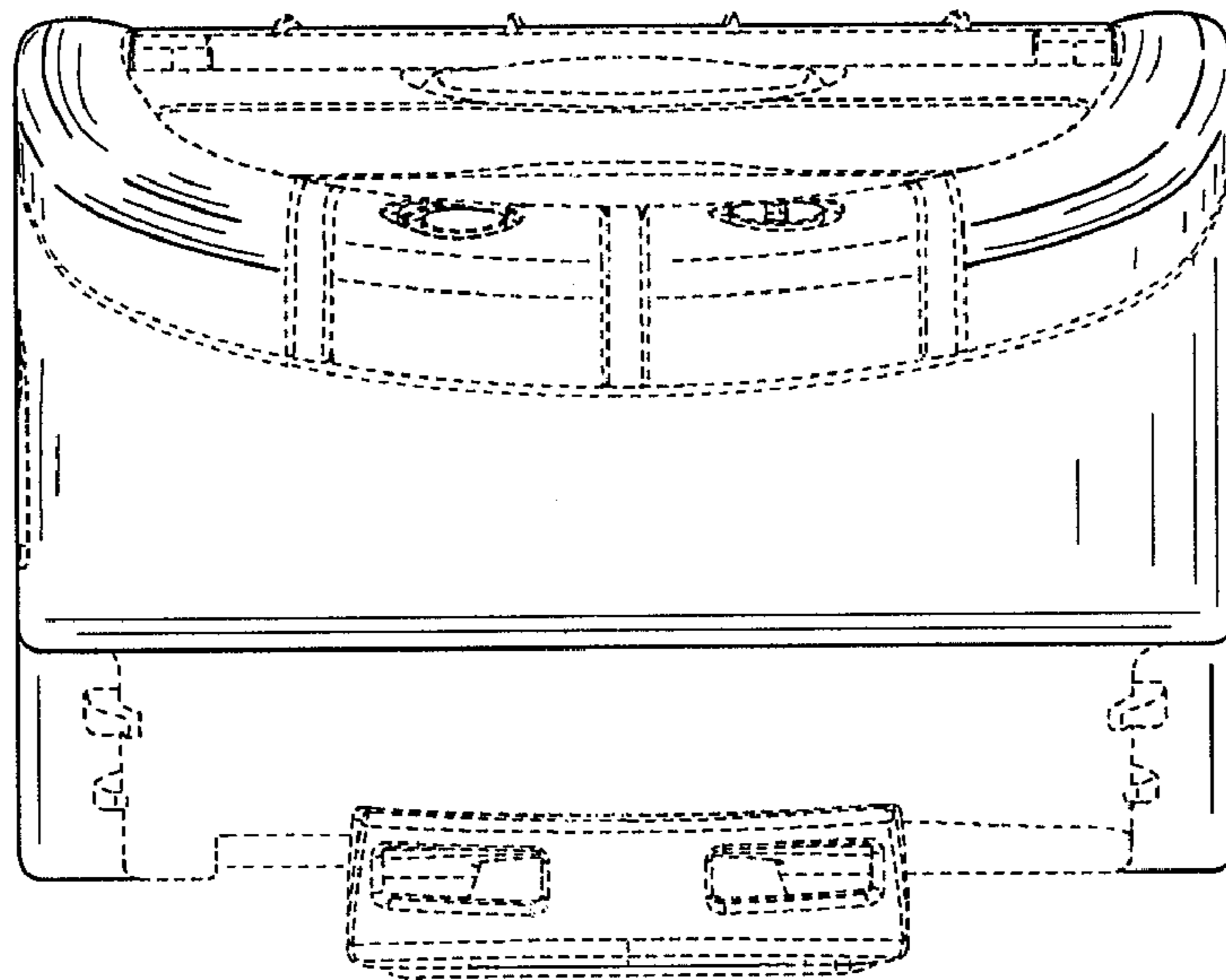
**FIG. 12**



**FIG. 13**

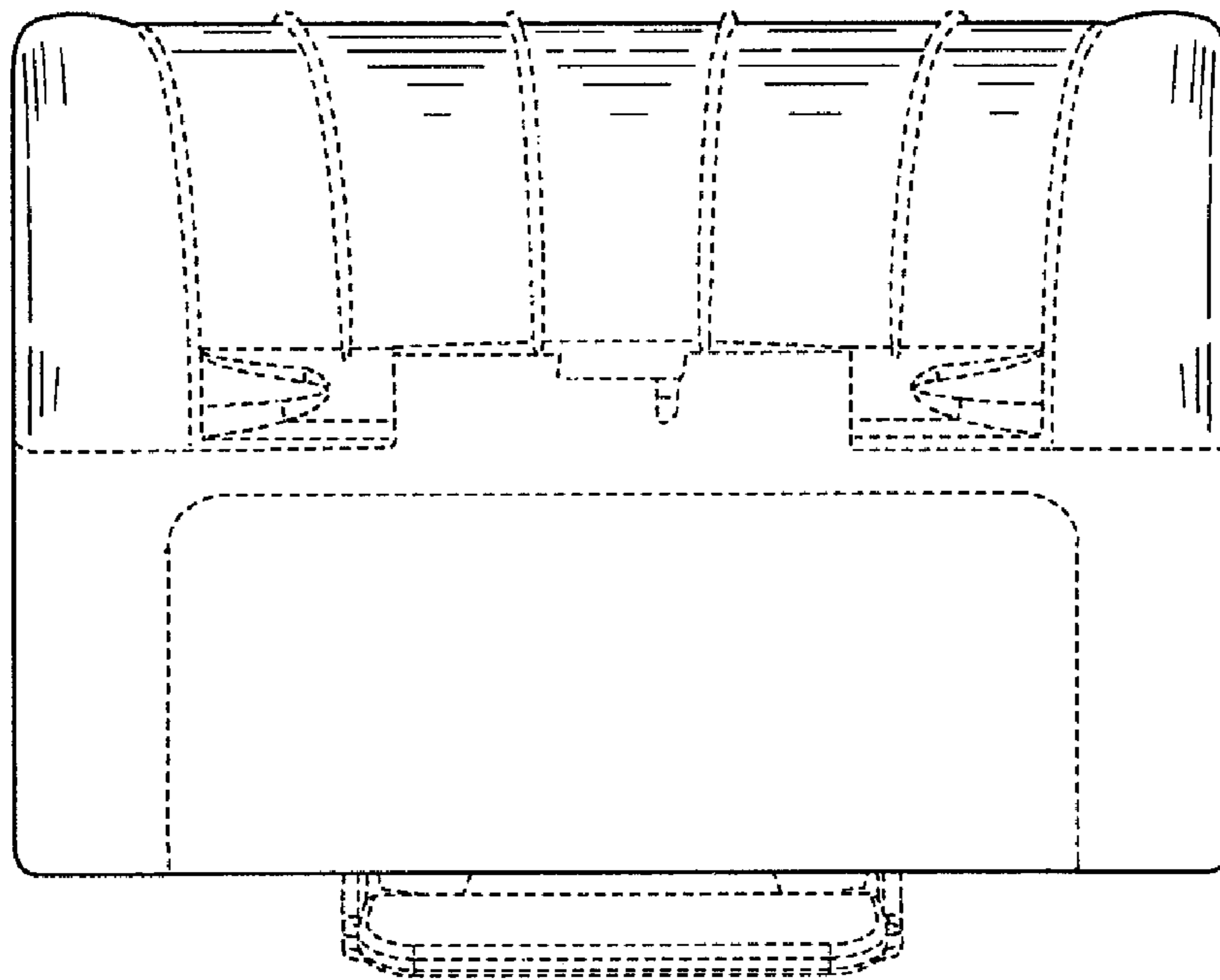


**FIG. 14**

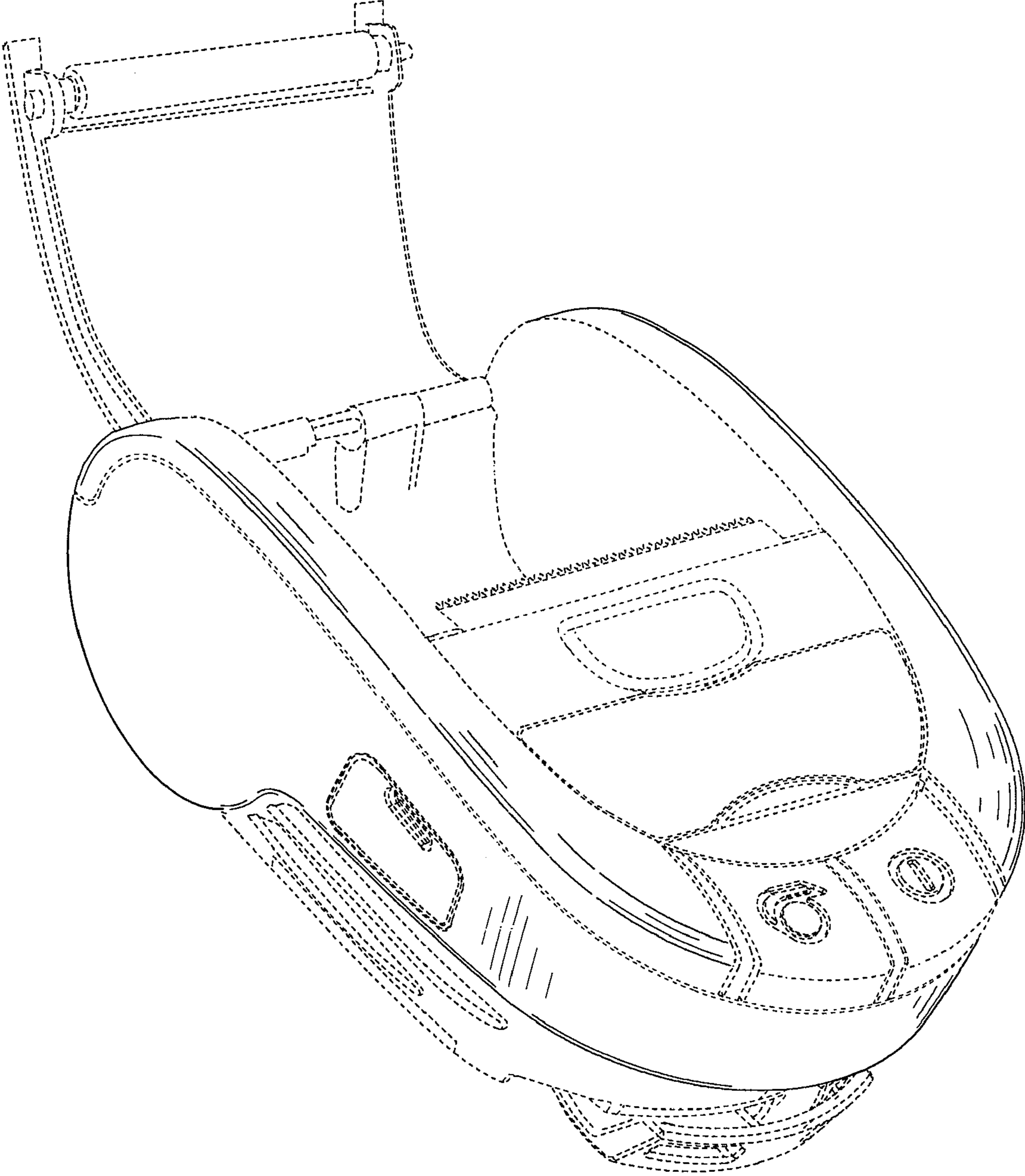


**FIG. 15**

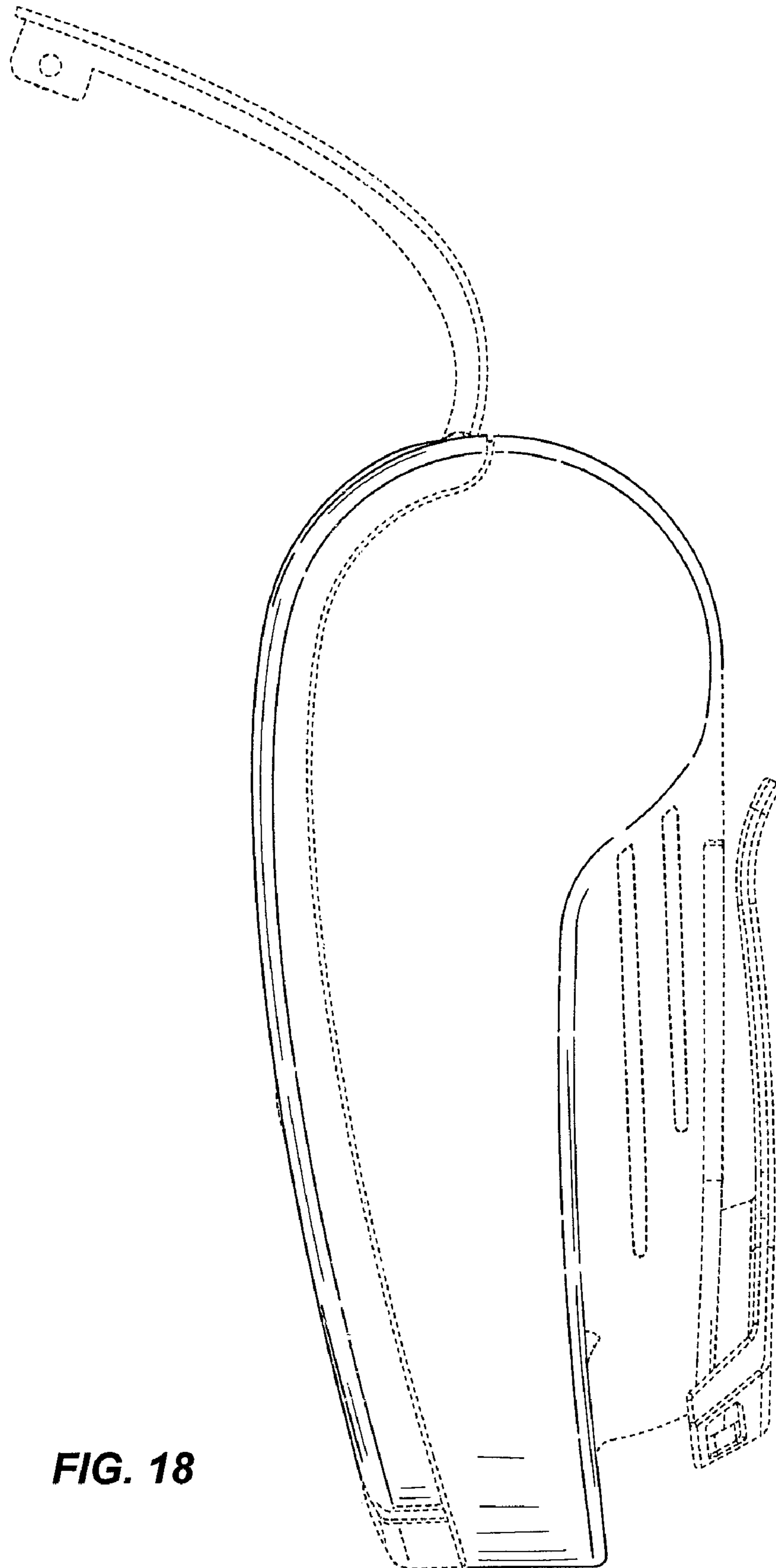




**FIG. 16**



**FIG. 17**



**FIG. 18**