



US00D549766S

(12) **United States Design Patent**
Greenberg

(10) **Patent No.: US D549,766 S**

(45) **Date of Patent: ** Aug. 28, 2007**

(54) **COMBINED STRINGED INSTRUMENT AND KEYBOARD**

(76) Inventor: **Daniel Greenberg**, 4 Royal Cir.,
Lexington, MA (US) 02420

(**) Term: **14 Years**

(21) Appl. No.: **29/239,739**

(22) Filed: **Oct. 4, 2005**

(51) **LOC (8) Cl.** **17-01**

(52) **U.S. Cl.** **D17/2**

(58) **Field of Classification Search** D17/1,
D17/2, 7, 9, 18; 84/13, 423 R, 172-174,
84/176, 327, 178-180, 376 A, 719, 720,
84/744, 745

See application file for complete search history.

(56) **References Cited**

U.S. PATENT DOCUMENTS

3,541,912 A *	11/1970	Radke	84/715
D255,803 S *	7/1980	Leal	D17/2
D256,366 S *	8/1980	Dworsky	D17/1
D278,154 S *	3/1985	Baker	D17/9
D310,090 S	8/1990	Stone et al.	
5,596,157 A *	1/1997	Williams	84/170
5,691,490 A	11/1997	Williams	
6,111,179 A *	8/2000	Miller	84/442
6,274,800 B1	8/2001	Gardner	
6,740,800 B1 *	5/2004	Cunningham	84/423 R
D523,465 S *	6/2006	Williams	D17/14

* cited by examiner

Primary Examiner—Ian Simmons

Assistant Examiner—R. Johnson

(74) *Attorney, Agent, or Firm*—Wolf, Greenfield & Sacks,
P.C.

(57) **CLAIM**

The ornamental design for a combined stringed instrument and keyboard, as shown and described.

DESCRIPTION

FIG. 1 is a rear perspective view of a first embodiment of a combined stringed instrument and keyboard showing my new design; the keyboard being of any suitable length;

FIG. 2 is a front elevational view thereof;

FIG. 3 is a left side elevational view thereof, showing the keys of the keyboard raised slightly above the plane of the rear surface of the stringed instrument;

FIG. 4 is a right side elevational view thereof;

FIG. 5 is a top plan view thereof;

FIG. 6 is a bottom plan view thereof;

FIG. 7 is a rear elevational view of the combined string instrument and keyboard of the FIG. 2, showing a longitudinal axis of the keyboard offset at an angle relative to the longitudinal axis of the stringed instrument;

FIG. 8 is a rear perspective view of a second embodiment of a combined stringed instrument and keyboard; the keyboard being of any suitable length

FIG. 9 is a left side elevational view thereof;

FIG. 10 is a right side elevational view thereof;

FIG. 11 is a top plan view thereof.

FIG. 12 is a bottom plan view thereof;

FIG. 13 is another perspective view thereof, the keyboard being of any suitable length;

FIG. 14 is another perspective view thereof, the keyboard being of any suitable length;

FIG. 15 is another perspective view thereof, the keyboard being of any suitable length;

FIG. 16 is another perspective view thereof, the keyboard being of any suitable length;

FIG. 17 is another perspective view thereof, the keyboard being of any suitable length;

FIG. 18 is another perspective view thereof, the keyboard being of any suitable length; and,

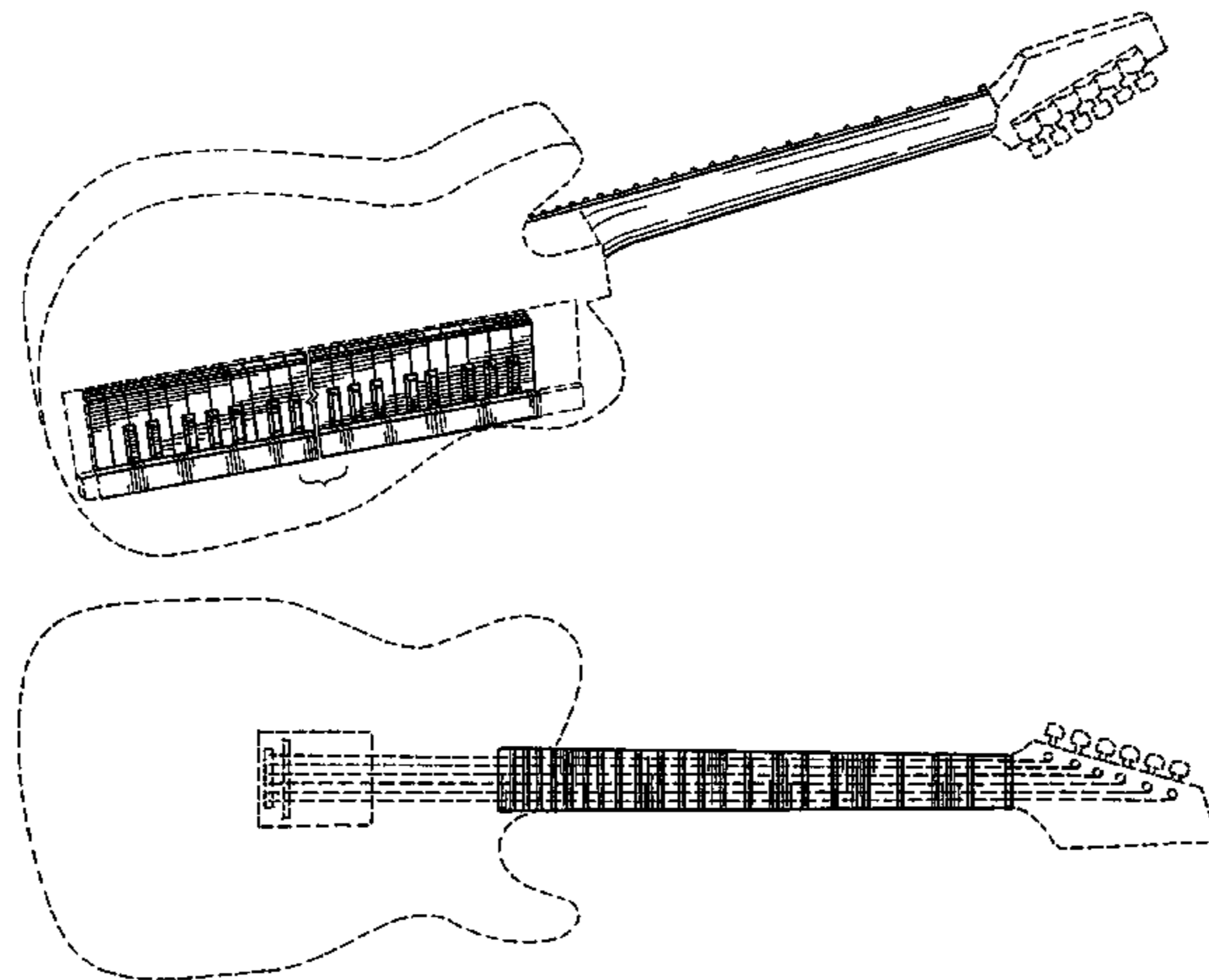
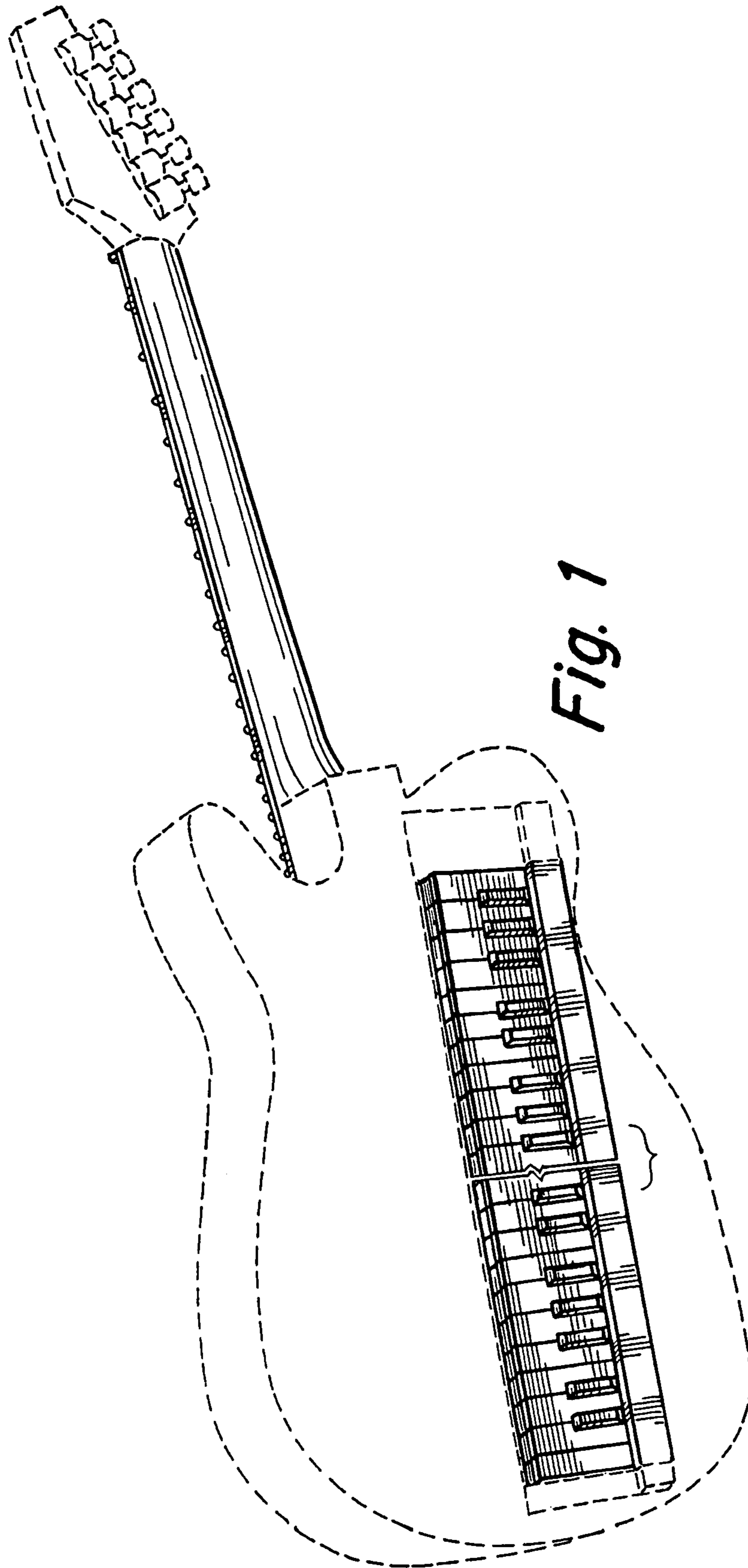


FIG. 19 is a rear elevational view of FIG. 7, showing a longitudinal axis of the keyboard parallel to the longitudinal axis of the stringed instrument.

The broken lines are for illustrative purposes only and form no part of the claimed design.

1 Claim, 15 Drawing Sheets



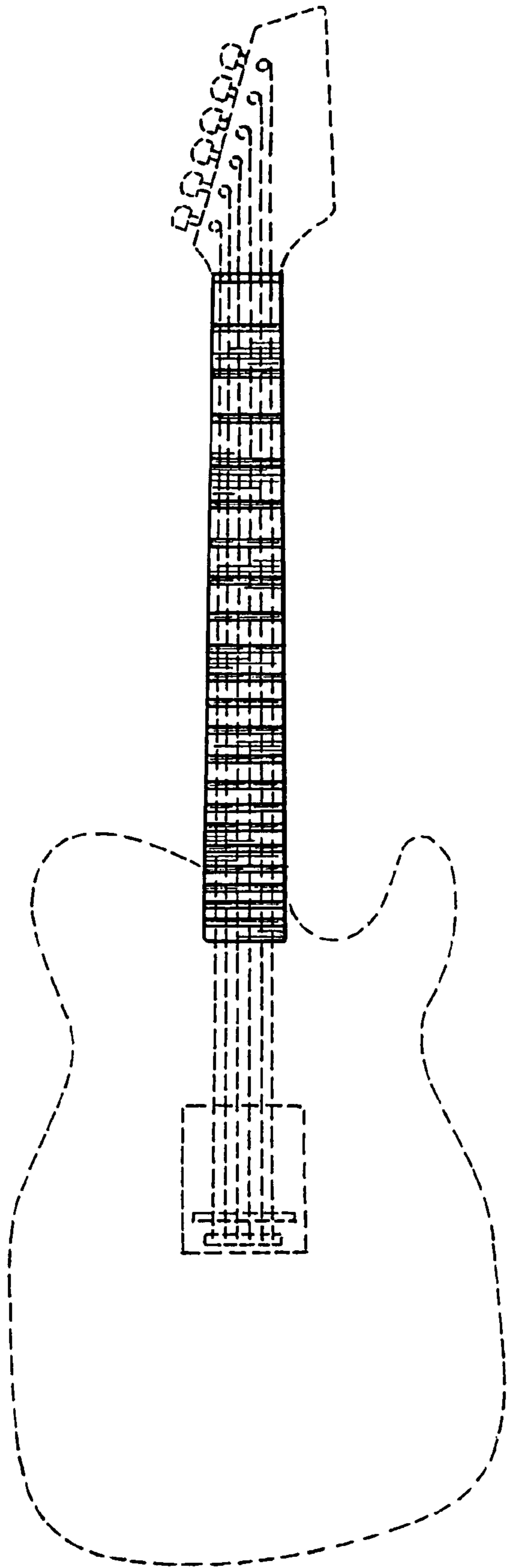


Fig. 2

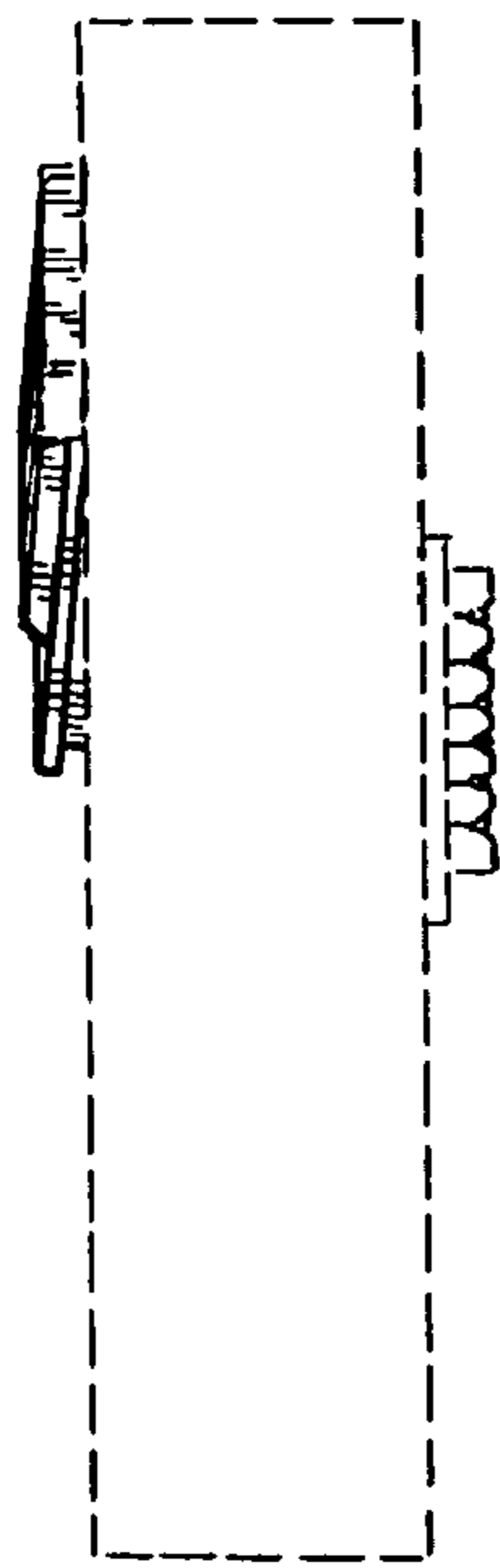


Fig. 3

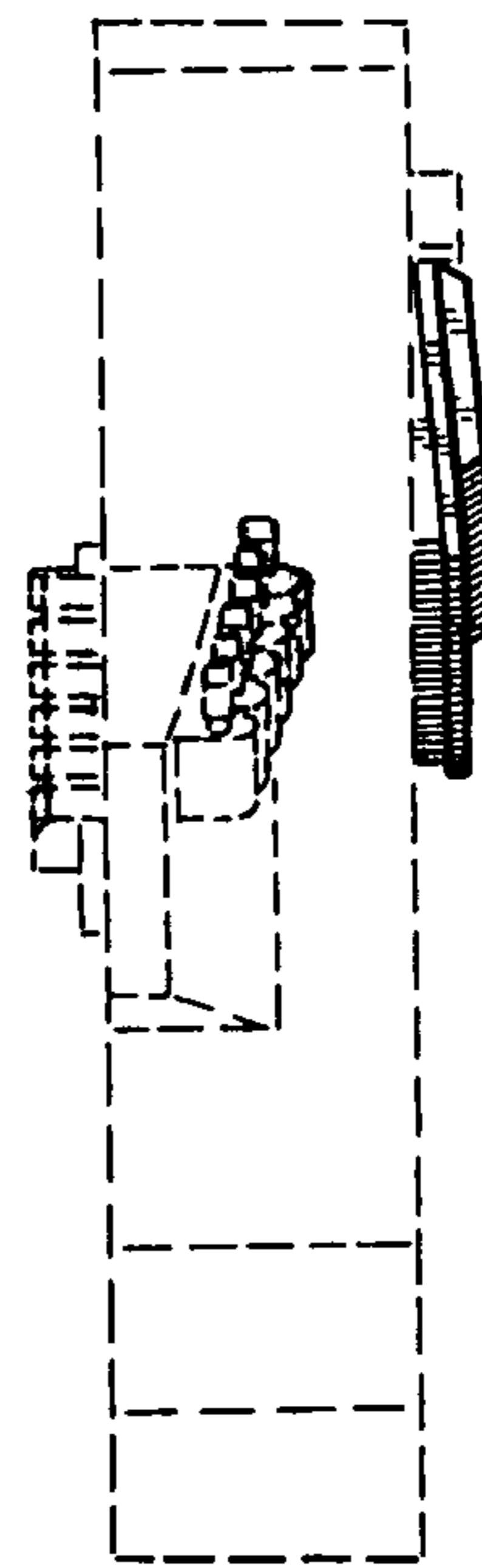


Fig. 4

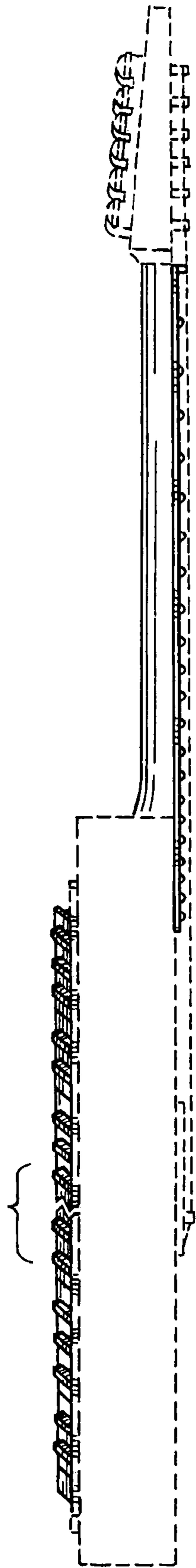


Fig. 5

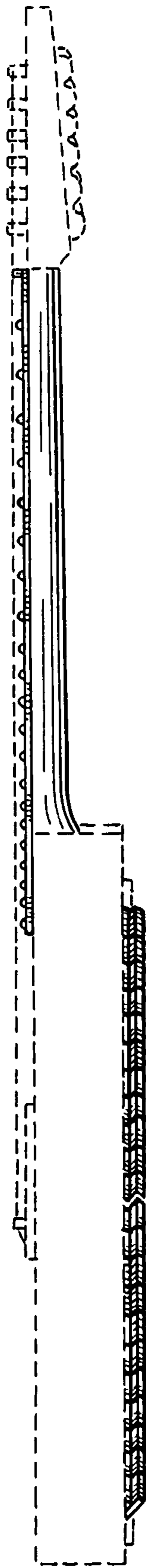


Fig. 6

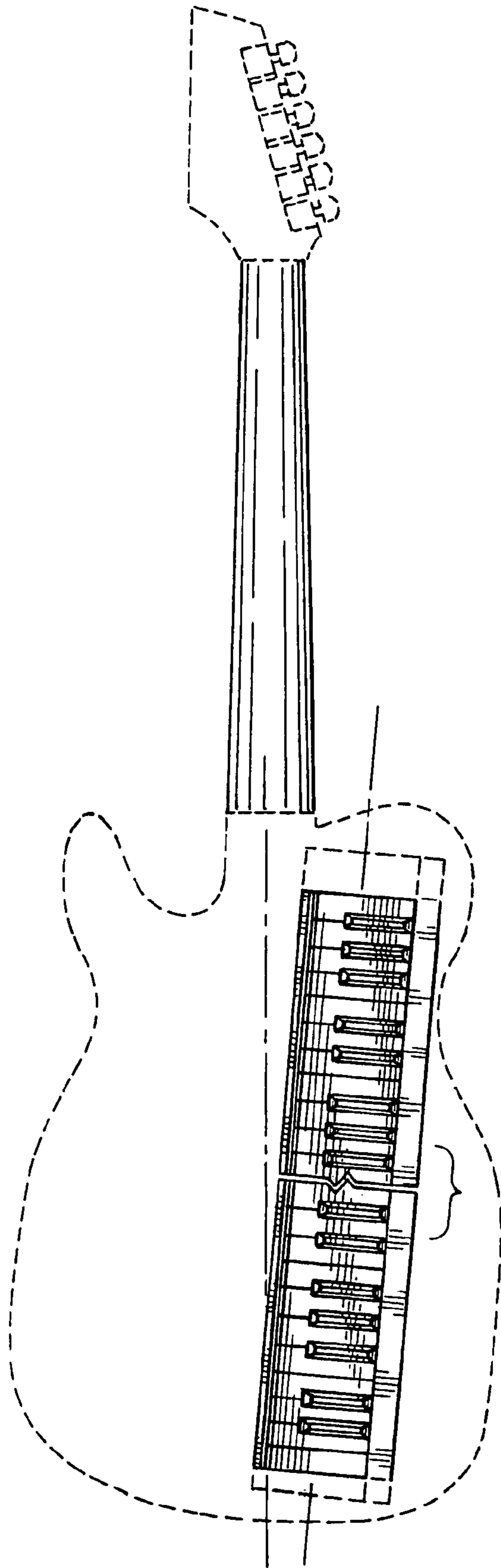


Fig. 7

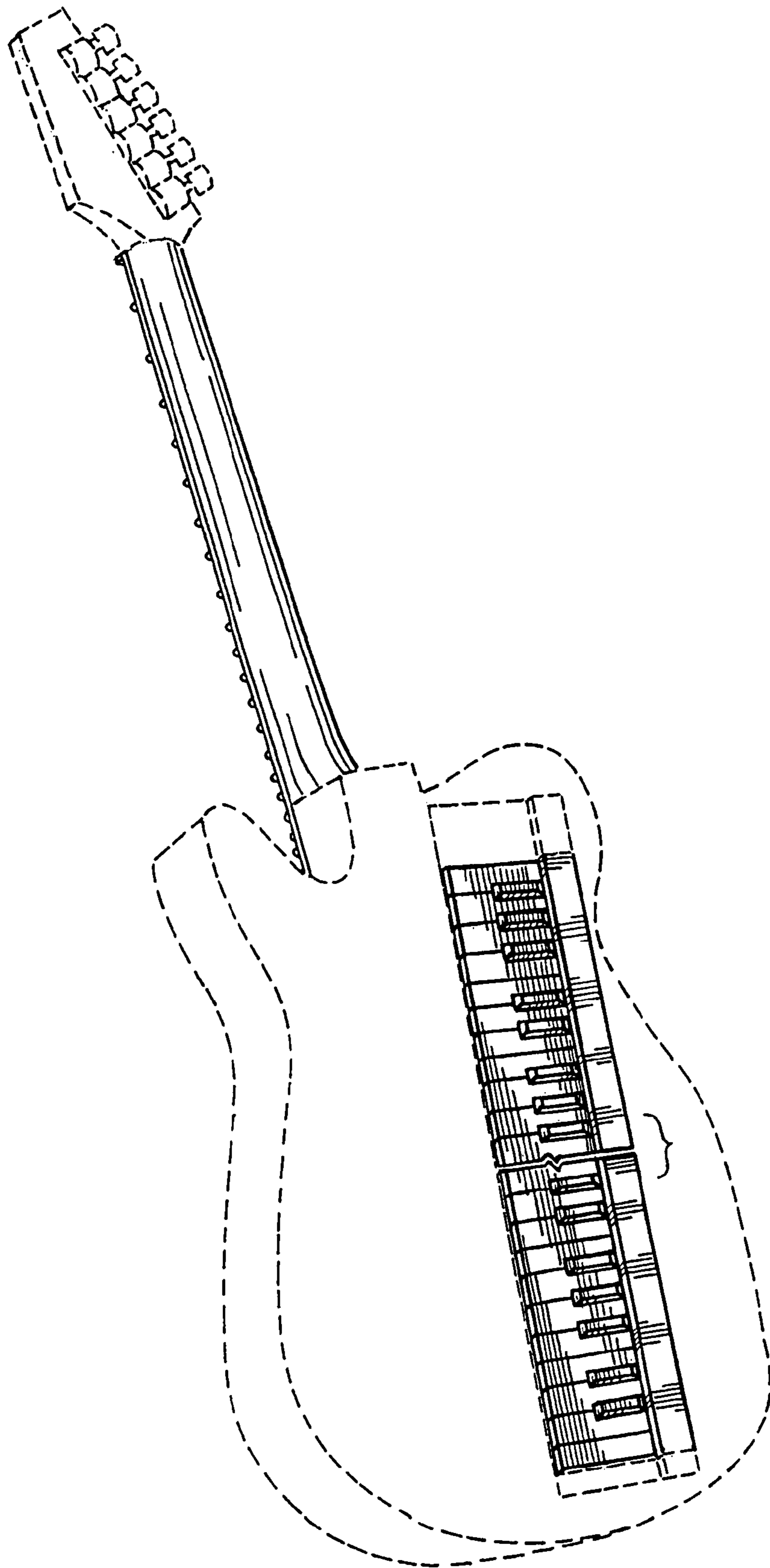


Fig. 8

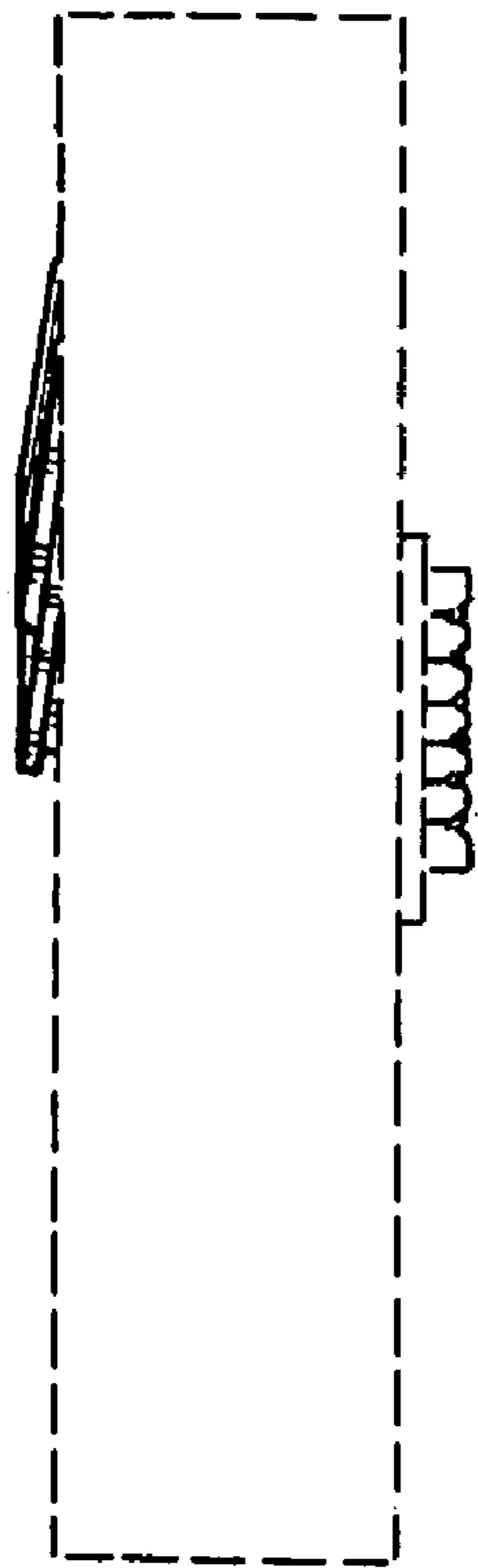


Fig. 9

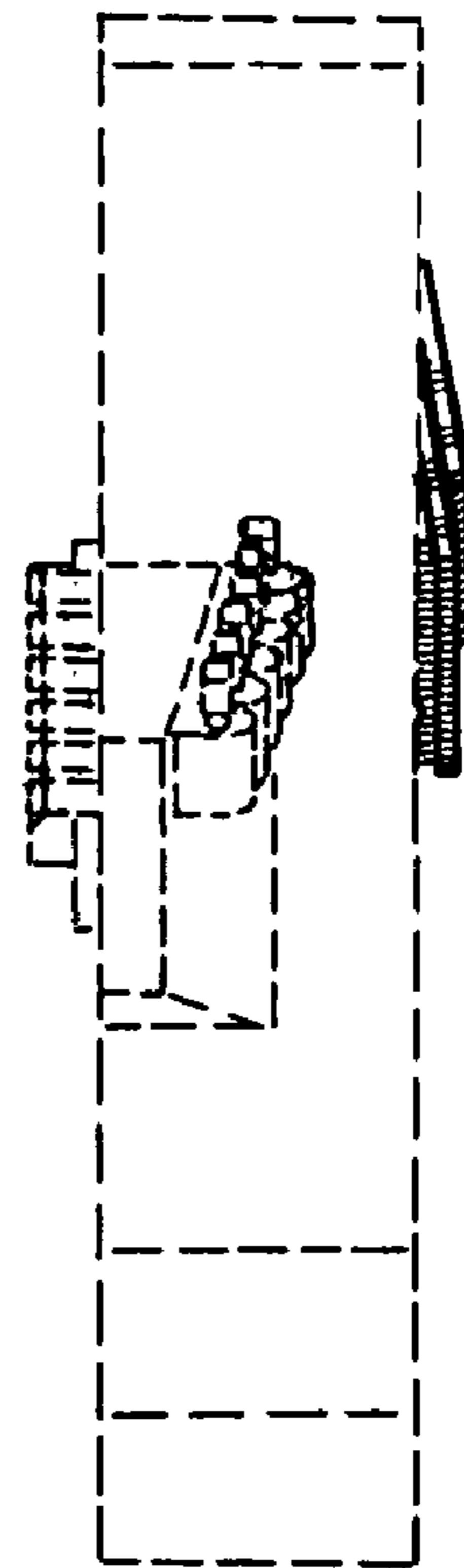


Fig. 10

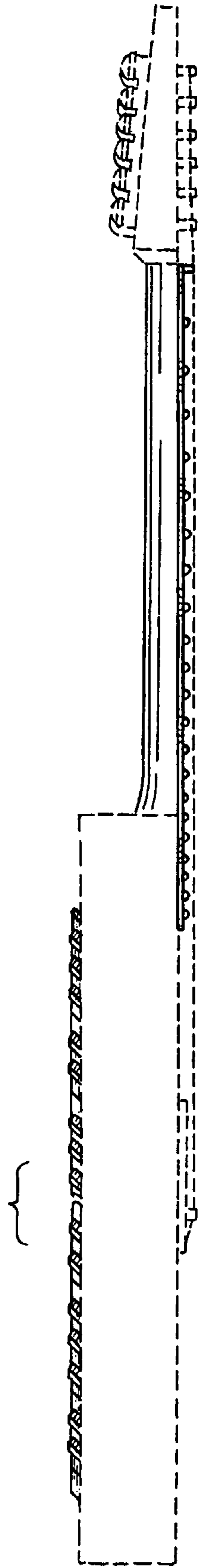


Fig. 11

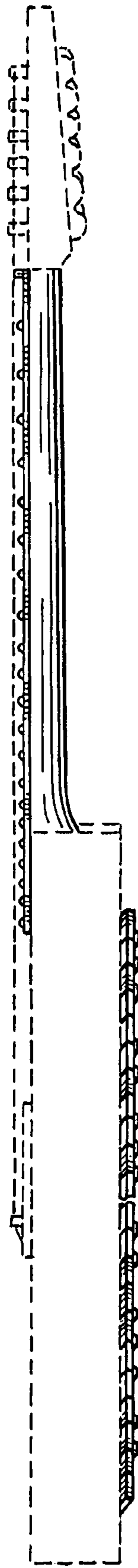


Fig. 12

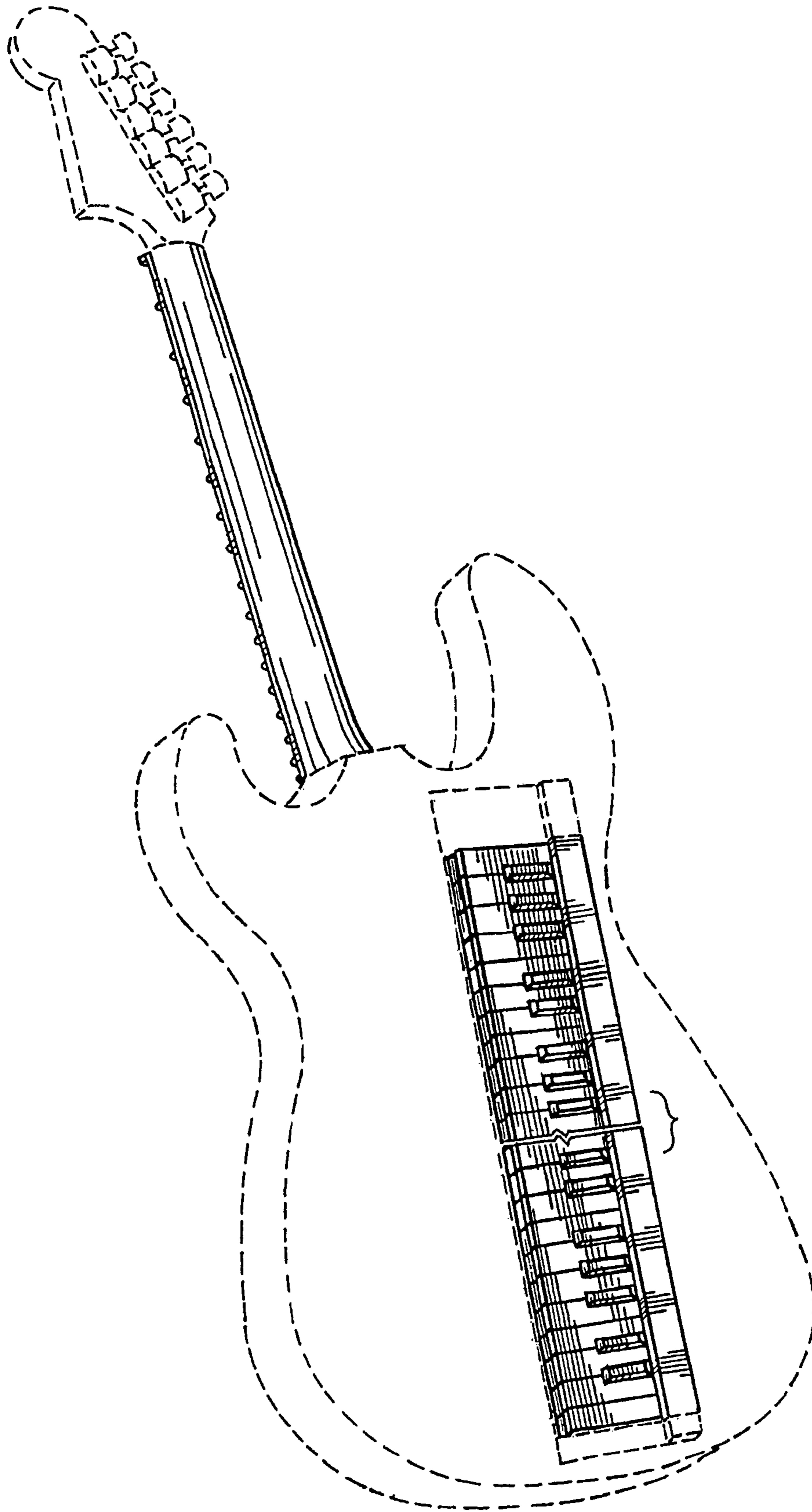


Fig. 13

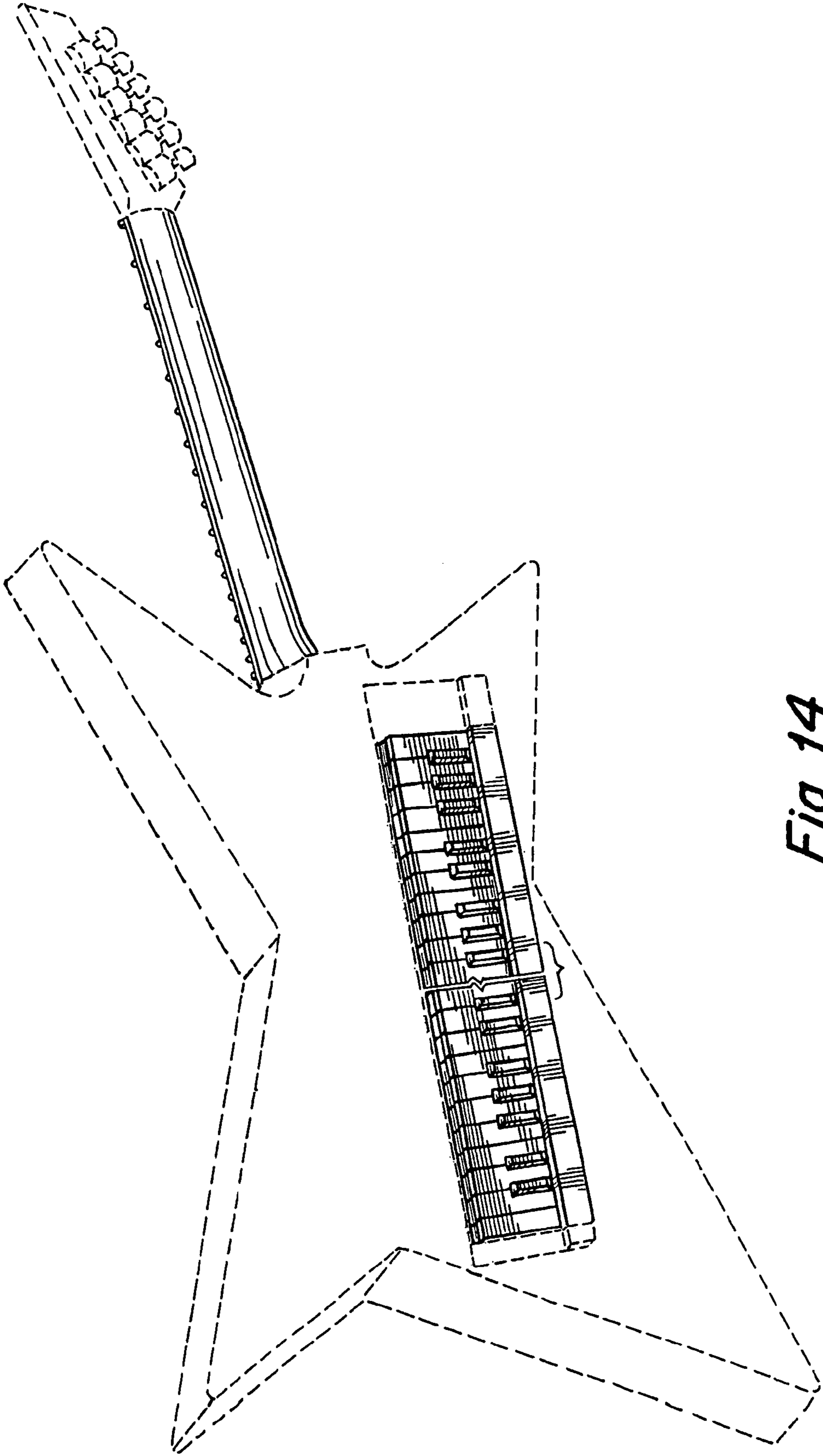


Fig. 14

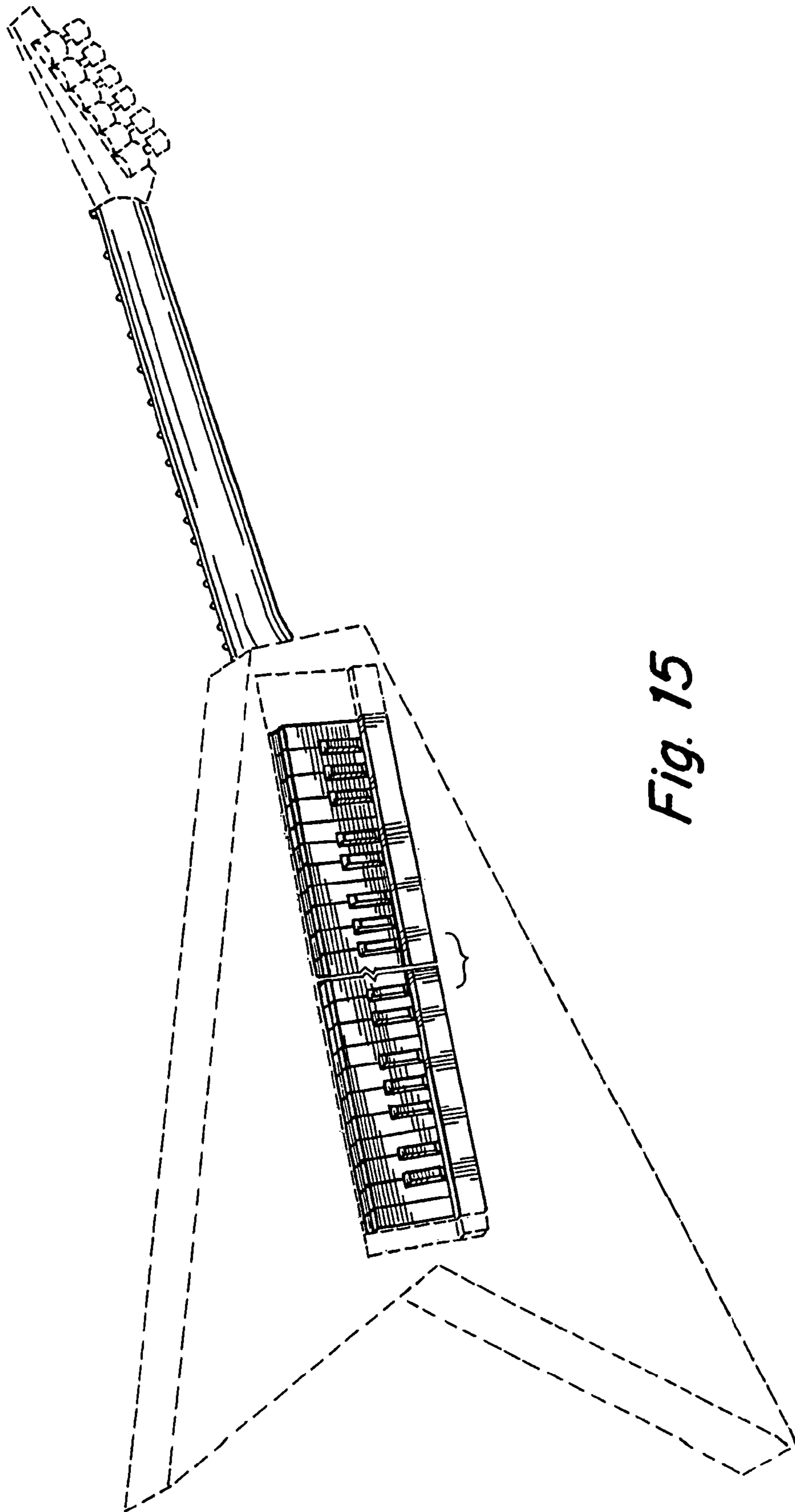


Fig. 15

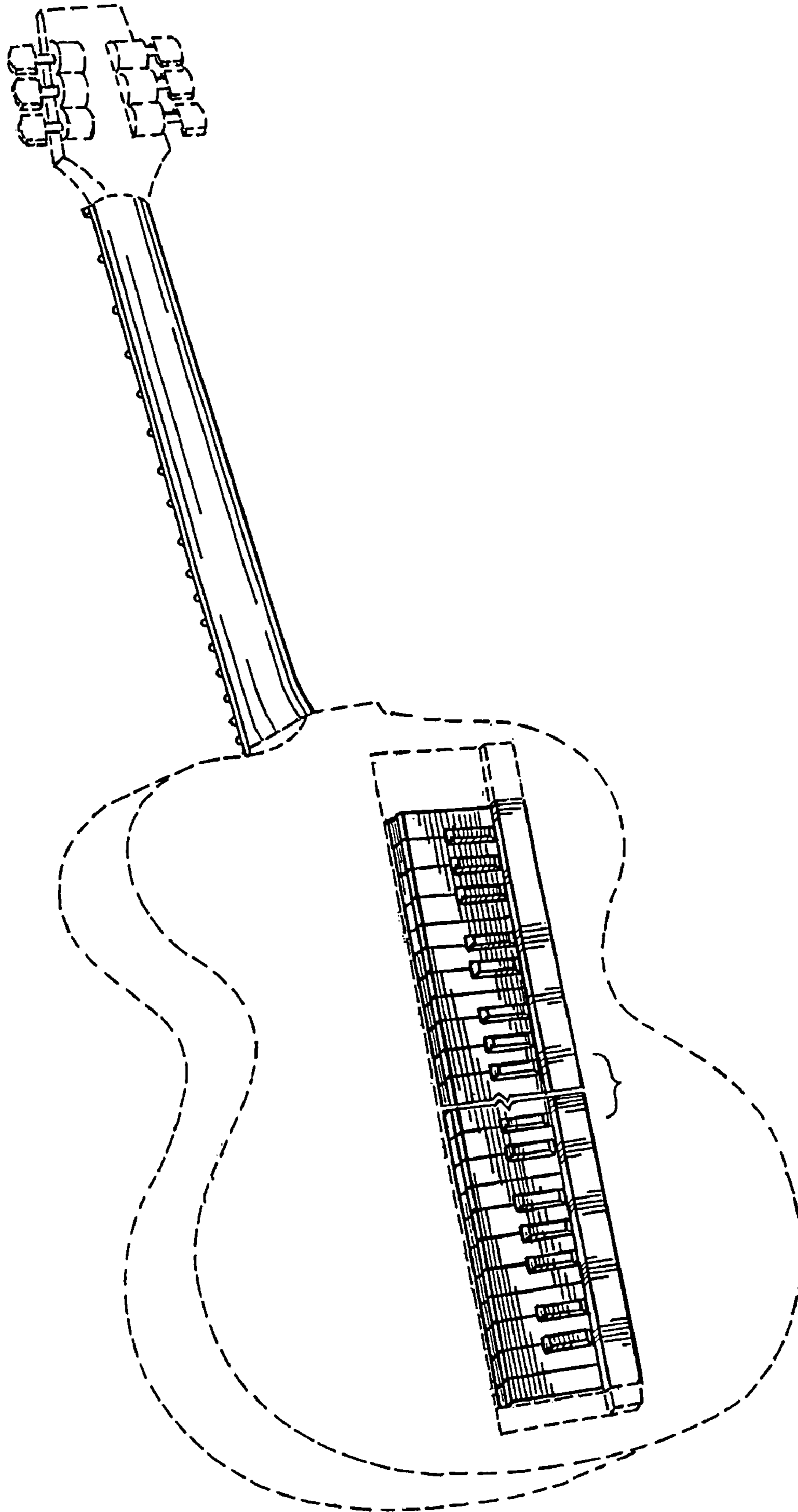


Fig. 16

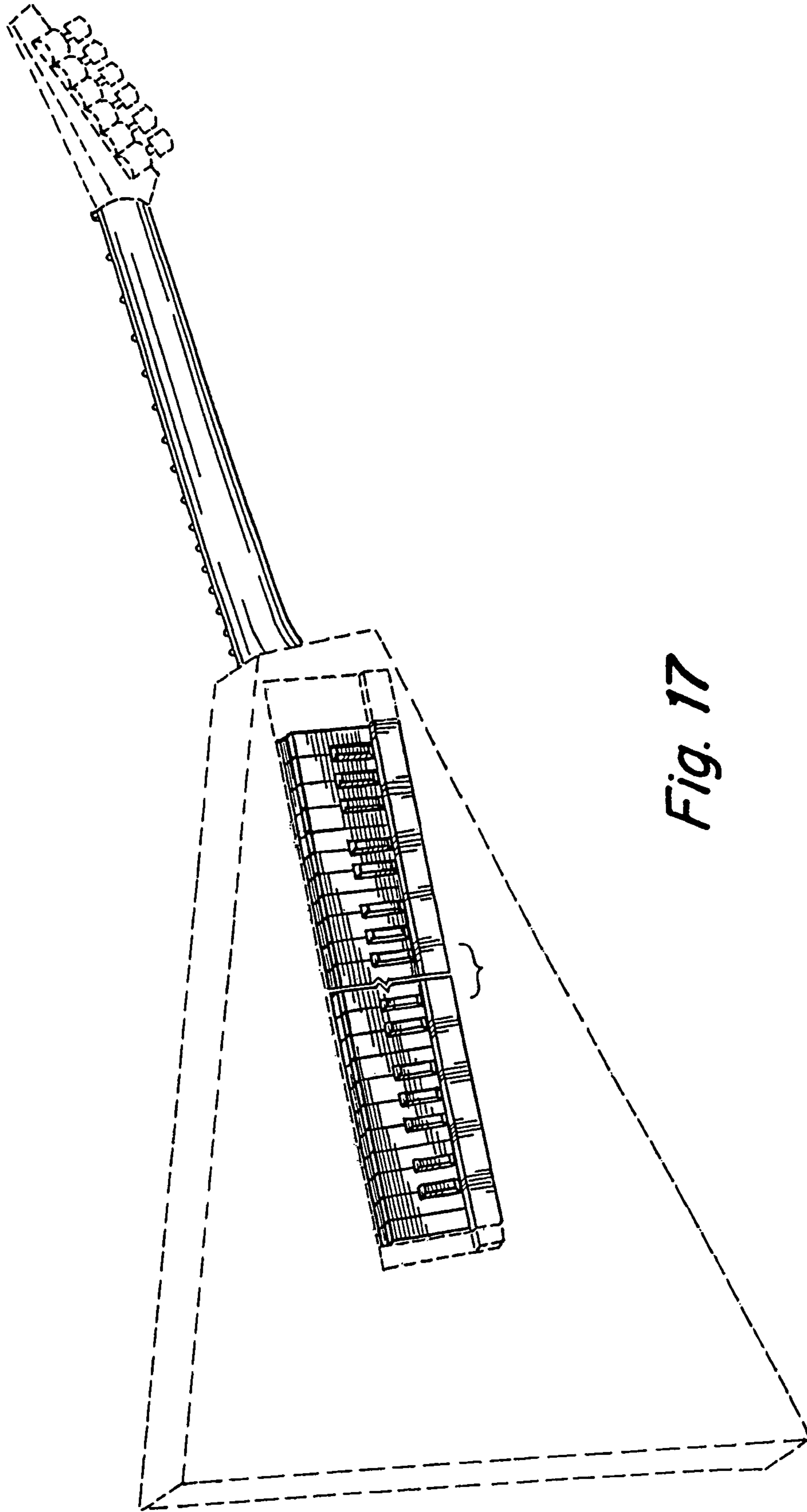


Fig. 17

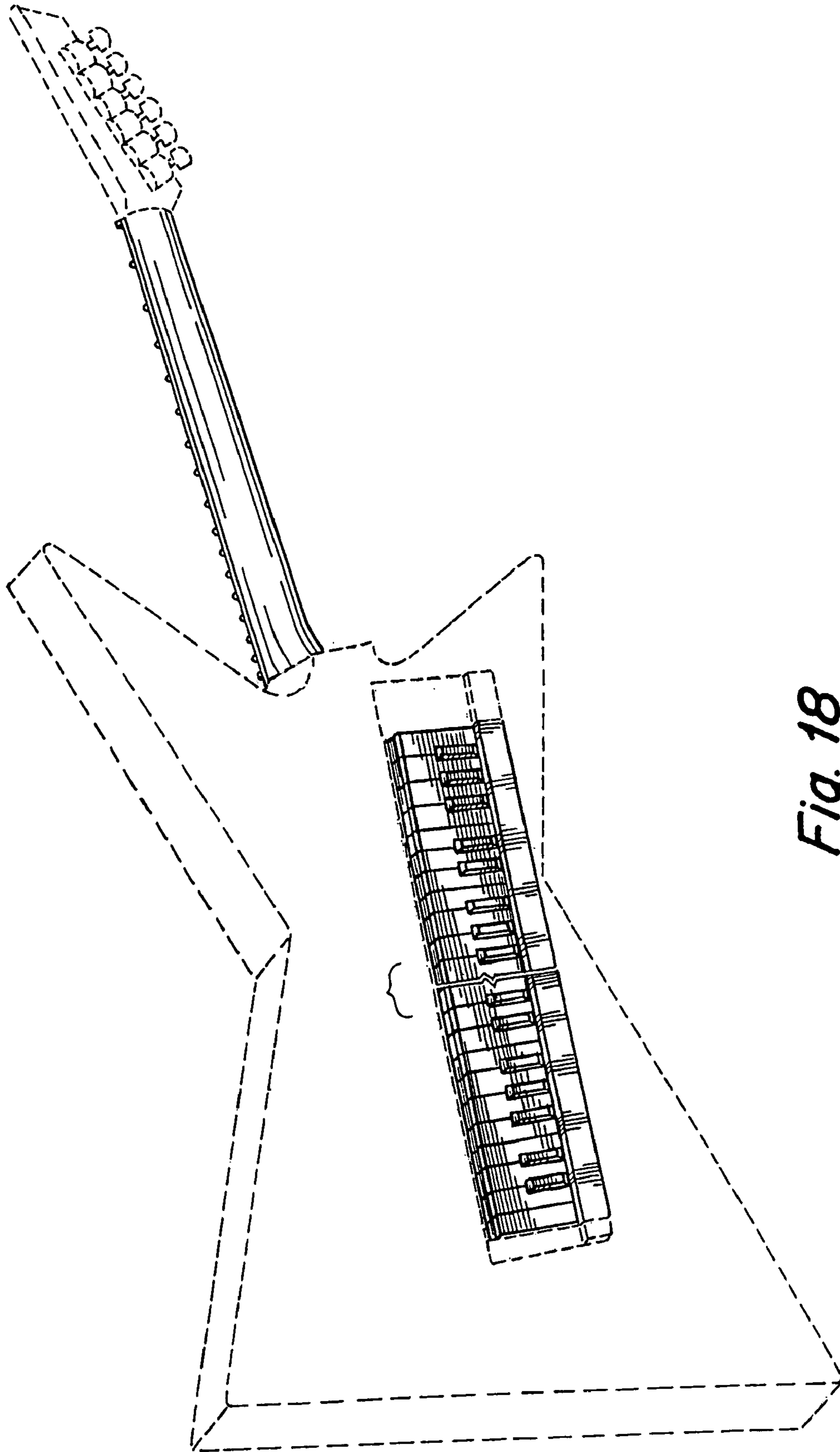


Fig. 18

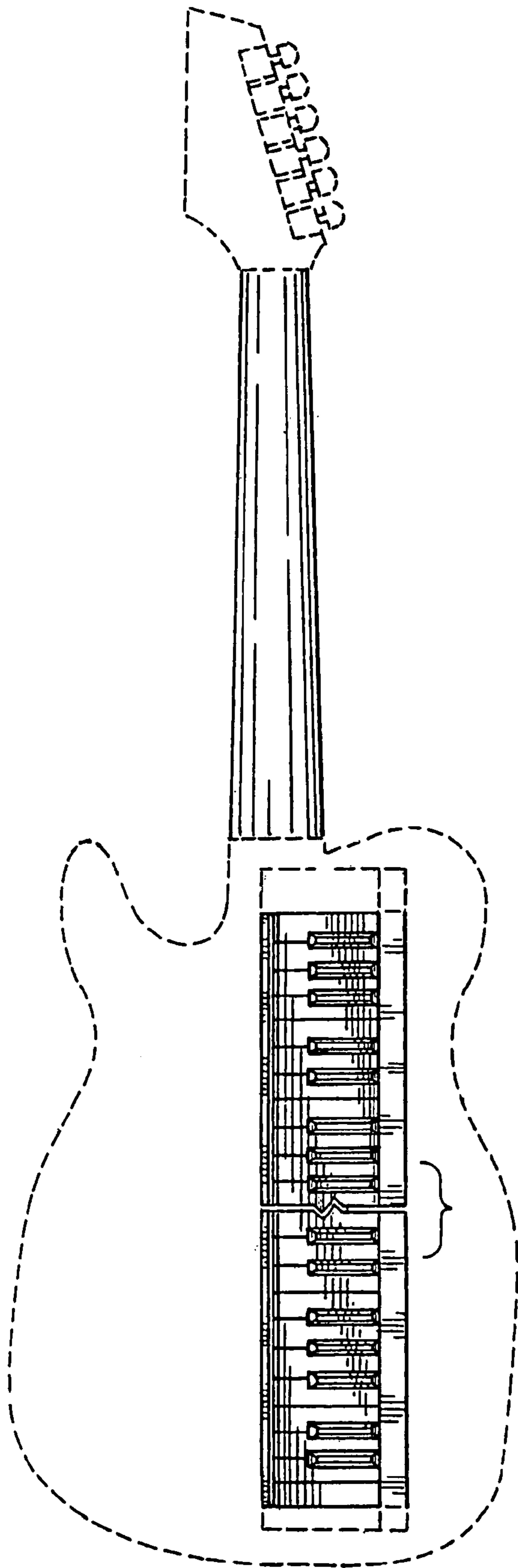


Fig. 19