

US00D549765S

(12) **United States Design Patent**
Duffie

(10) **Patent No.:** **US D549,765 S**

(45) **Date of Patent:** **** Aug. 28, 2007**

(54) **FLEXIBLE EYEGLASS SIDE SHIELD**

(76) **Inventor:** **Ken Duffie**, 121 Highland St.,
Middleboro, MA (US) 02346

(**) **Term:** **14 Years**

(21) **Appl. No.:** **29/245,126**

(22) **Filed:** **Dec. 19, 2005**

5,781,271 A	7/1998	Wheeler	
5,798,815 A *	8/1998	Hirschman et al.	351/44
D407,737 S *	4/1999	Hewitt	D16/327
6,270,216 B1 *	8/2001	DiChiara	351/44
6,393,609 B1	5/2002	Simmons, Sr.	
6,644,803 B1 *	11/2003	Jung	351/44
6,715,873 B2 *	4/2004	Nahmias	351/44
D493,813 S *	8/2004	Simmons, Sr.	D16/337
6,910,767 B2 *	6/2005	Froissard	351/44
6,984,036 B1 *	1/2006	Smith	351/44
2006/0017880 A1 *	1/2006	Smith	351/44

Related U.S. Application Data

(63) Continuation-in-part of application No. 10/751,848,
filed on Jan. 6, 2004, now Pat. No. 6,988,798.

(51) **LOC (8) Cl.** **16-06**

(52) **U.S. Cl.** **D16/337**

(58) **Field of Classification Search** D16/101,
D16/300-330, 332-338, 341, 342; D21/190;
D24/110.2; 351/41, 44, 47, 51, 61-63, 83,
351/86, 90, 103-111, 114, 117, 119, 121-124,
351/128, 130-132, 136-139, 153, 158; 2/12,
2/13, 426-432, 434-437, 441, 447-449,
2/453

See application file for complete search history.

(56) **References Cited**

U.S. PATENT DOCUMENTS

5,113,529 A	5/1992	Carr	
5,264,875 A *	11/1993	Cooper	351/44
D345,567 S *	3/1994	Deckard et al.	D16/337
5,366,269 A	11/1994	Beauvais	
5,402,189 A	3/1995	Gill	
5,548,351 A *	8/1996	Hirschman et al.	351/44
D374,451 S *	10/1996	Gurwin	D16/327
5,748,278 A	5/1998	Simmons, Sr.	

* cited by examiner

Primary Examiner—T. Chase Nelson

Assistant Examiner—Barbara Blanton Lohr

(74) *Attorney, Agent, or Firm*—John P. McGonagle

(57) **CLAIM**

The ornamental design for a flexible eyeglass side shield, as shown and described.

DESCRIPTION

FIG. 1 is a perspective view of a flexible eyeglass side shield showing my new design, wherein a partial view of an eyeglass frame is shown in broken lines for illustrative purposes only and form no part of the claimed design;

FIG. 2 is a front view thereof;

FIG. 3 is a top view thereof;

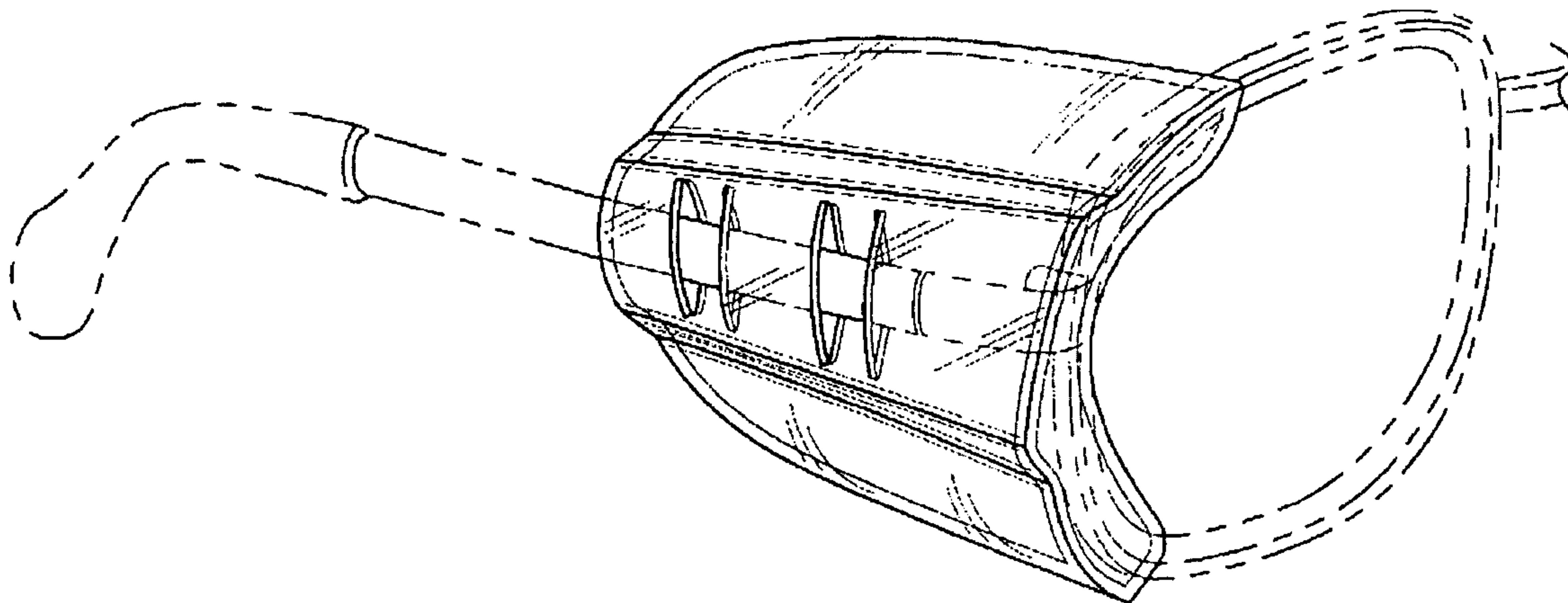
FIG. 4 is a right side view thereof;

FIG. 5 is a bottom view thereof;

FIG. 6 is a rear view thereof; and,

FIG. 7 is a left side view thereof.

1 Claim, 2 Drawing Sheets



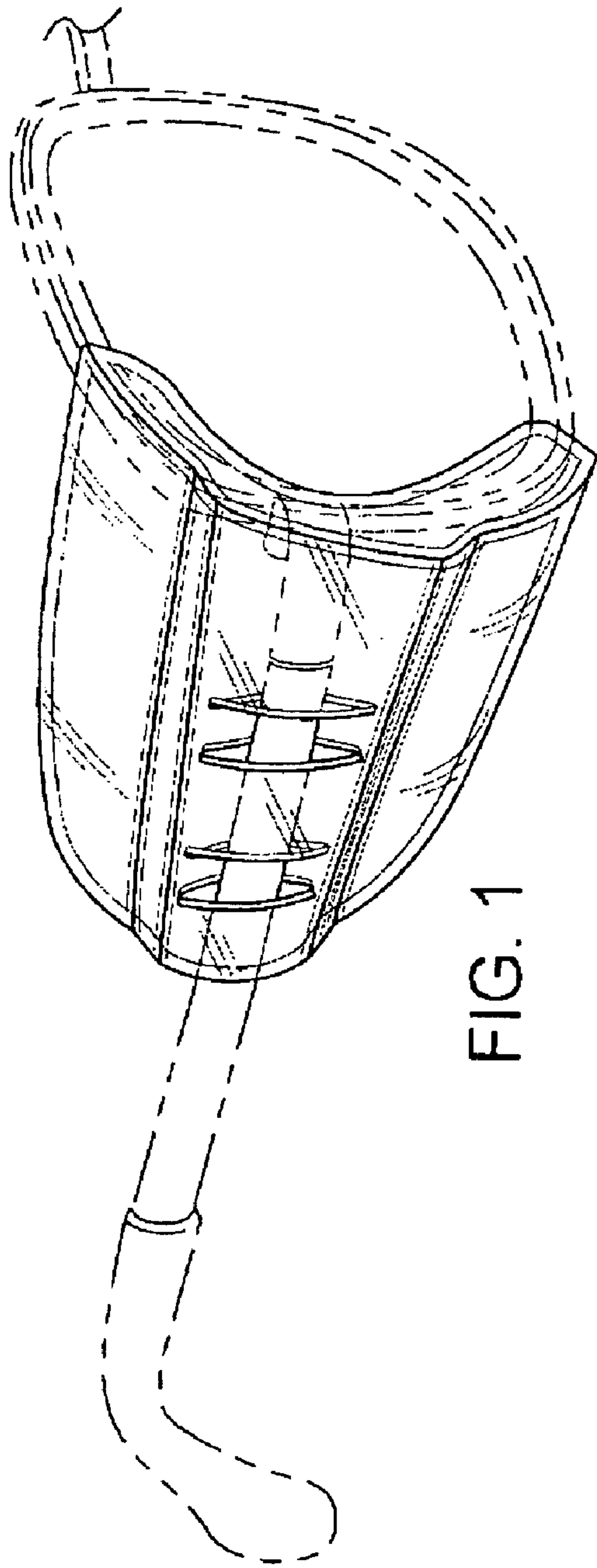


FIG. 1

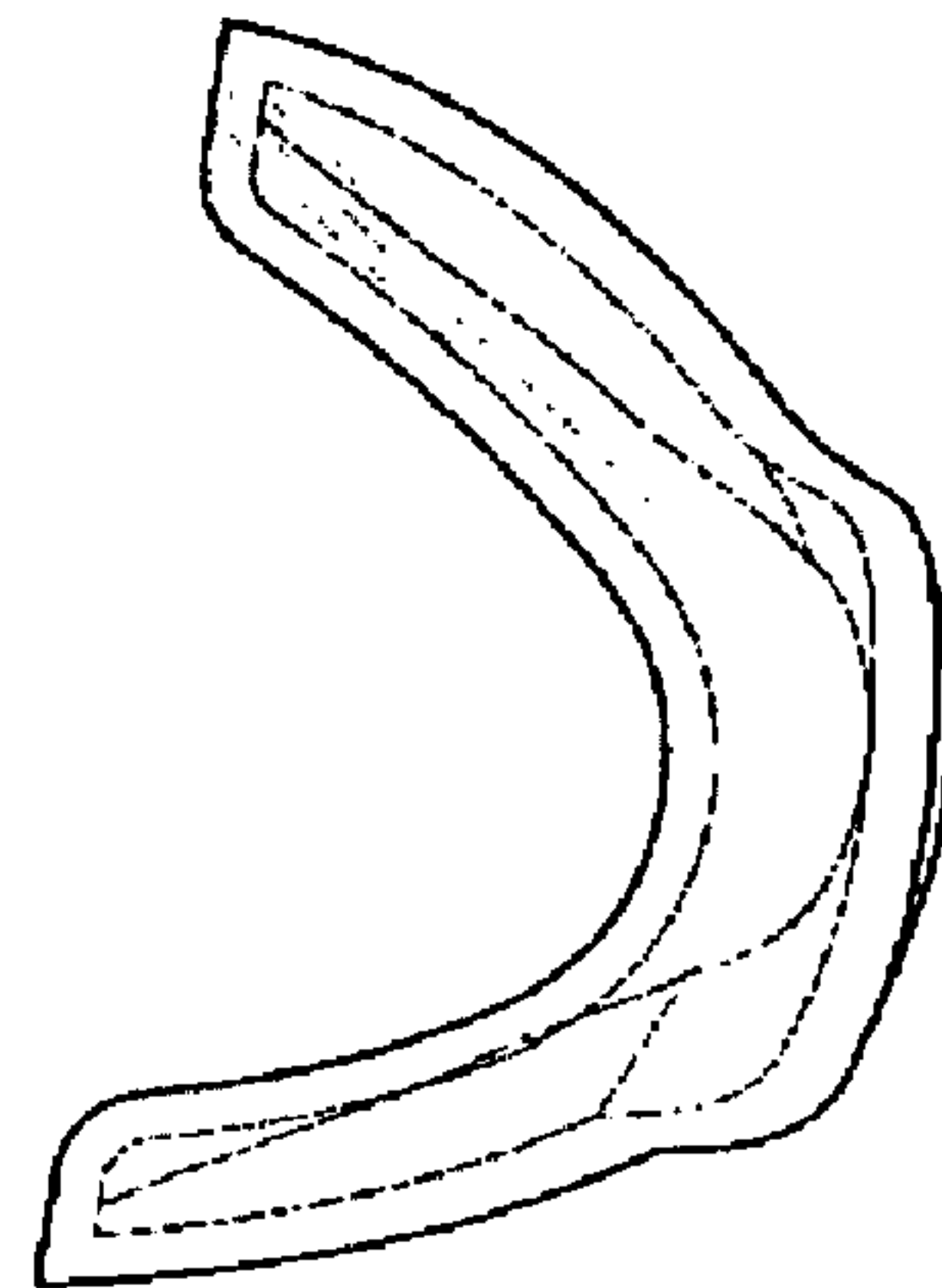


FIG. 2

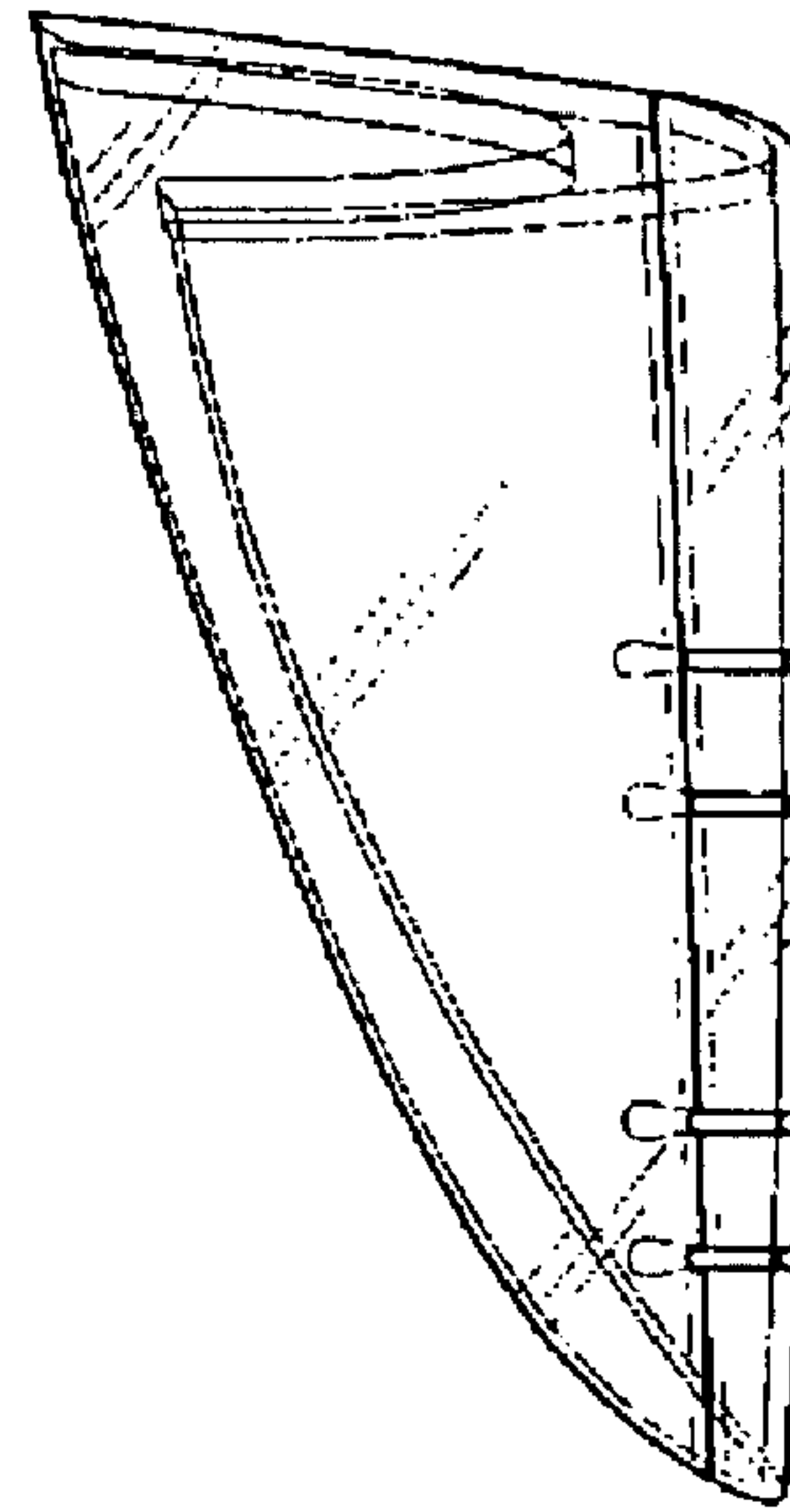


FIG. 3

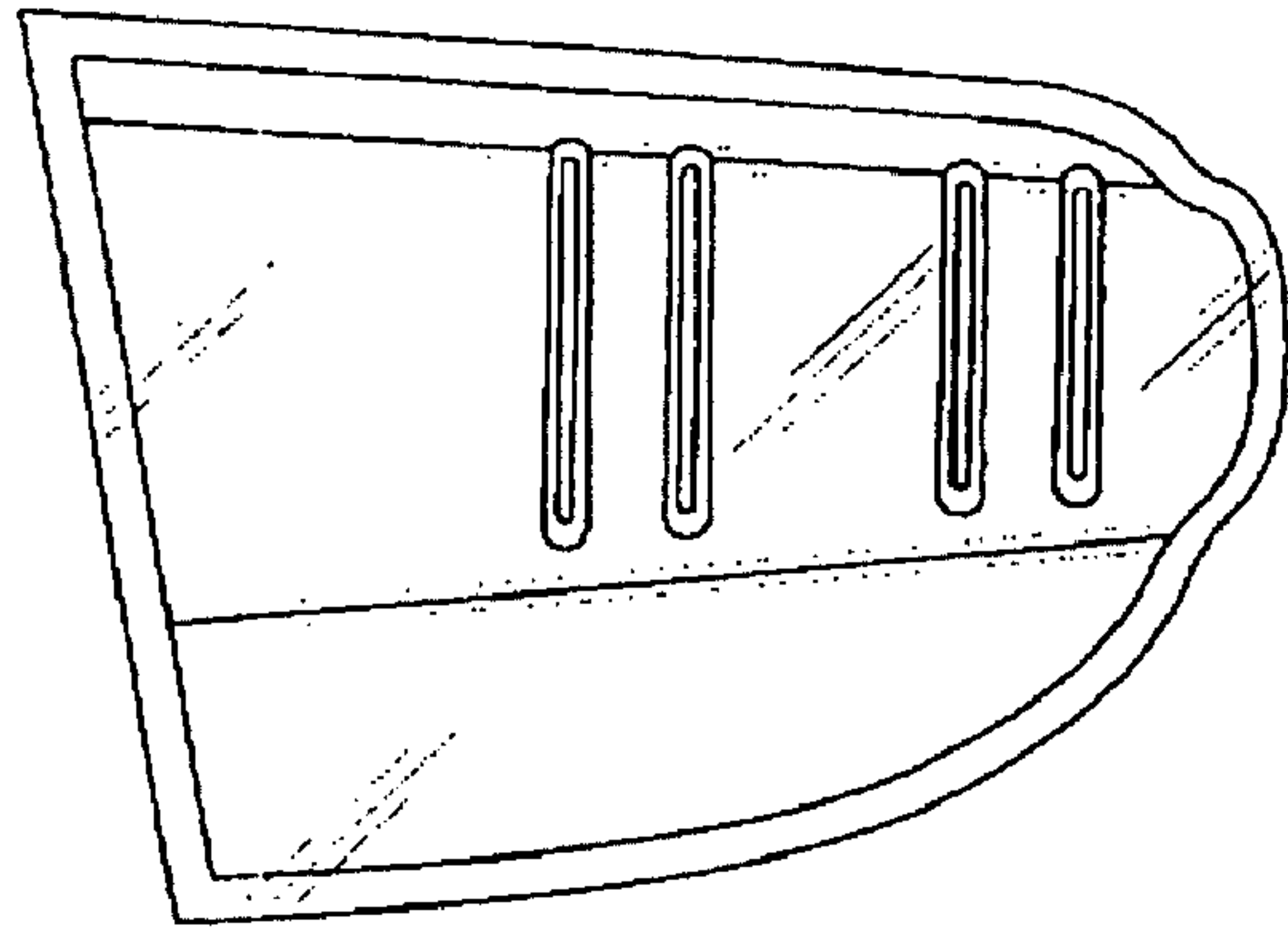


FIG. 4

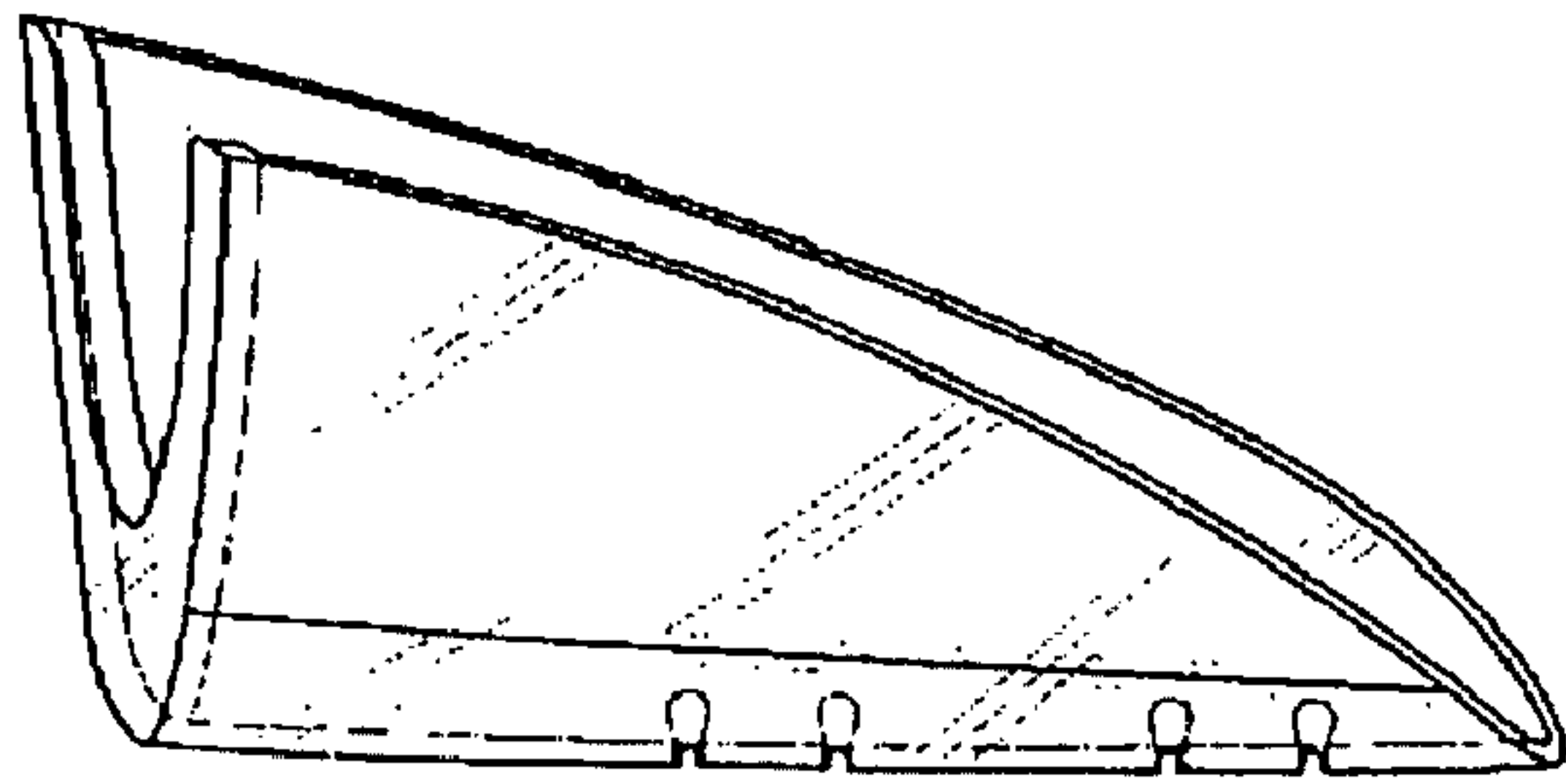


FIG. 5

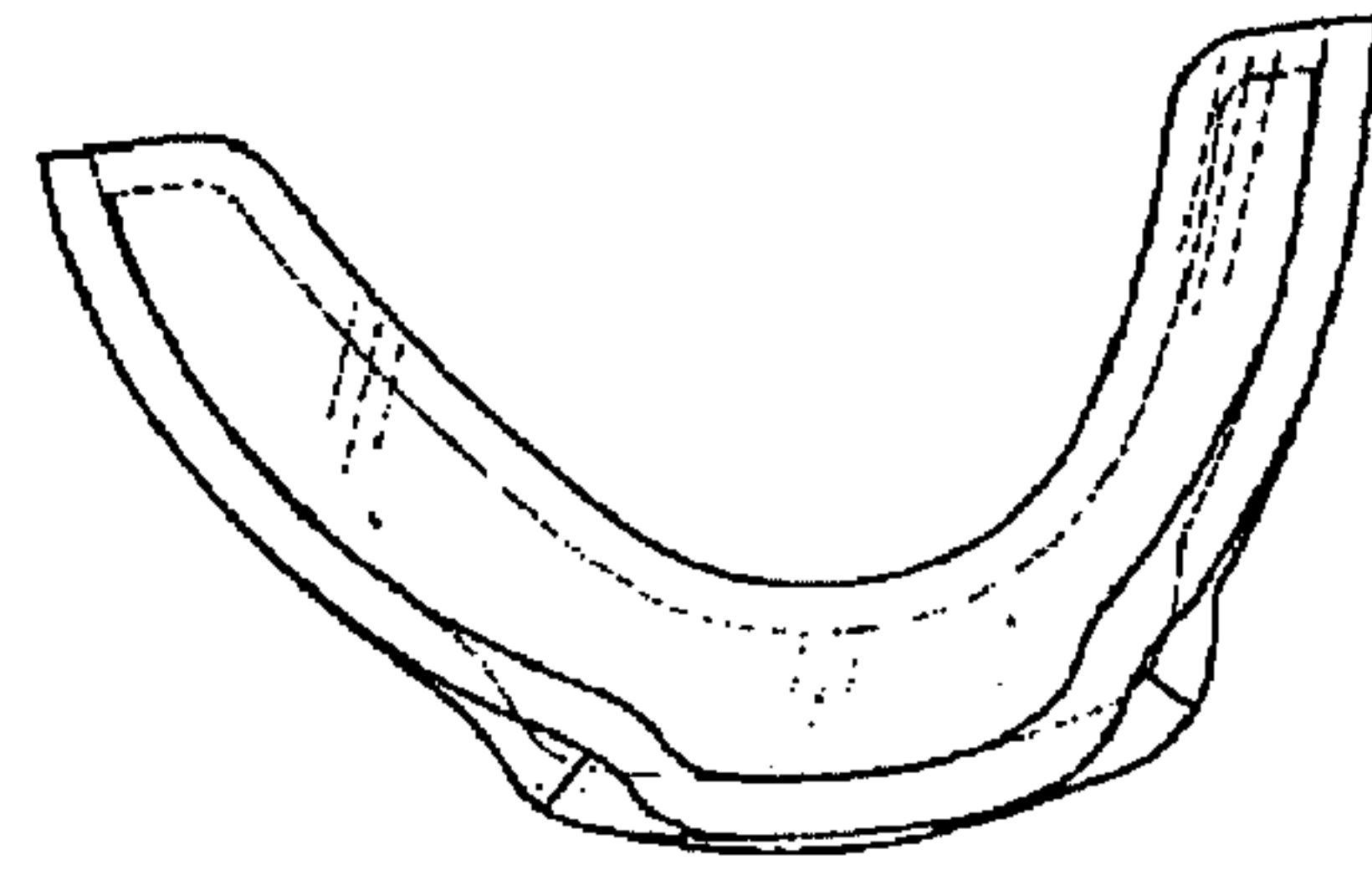


FIG. 6

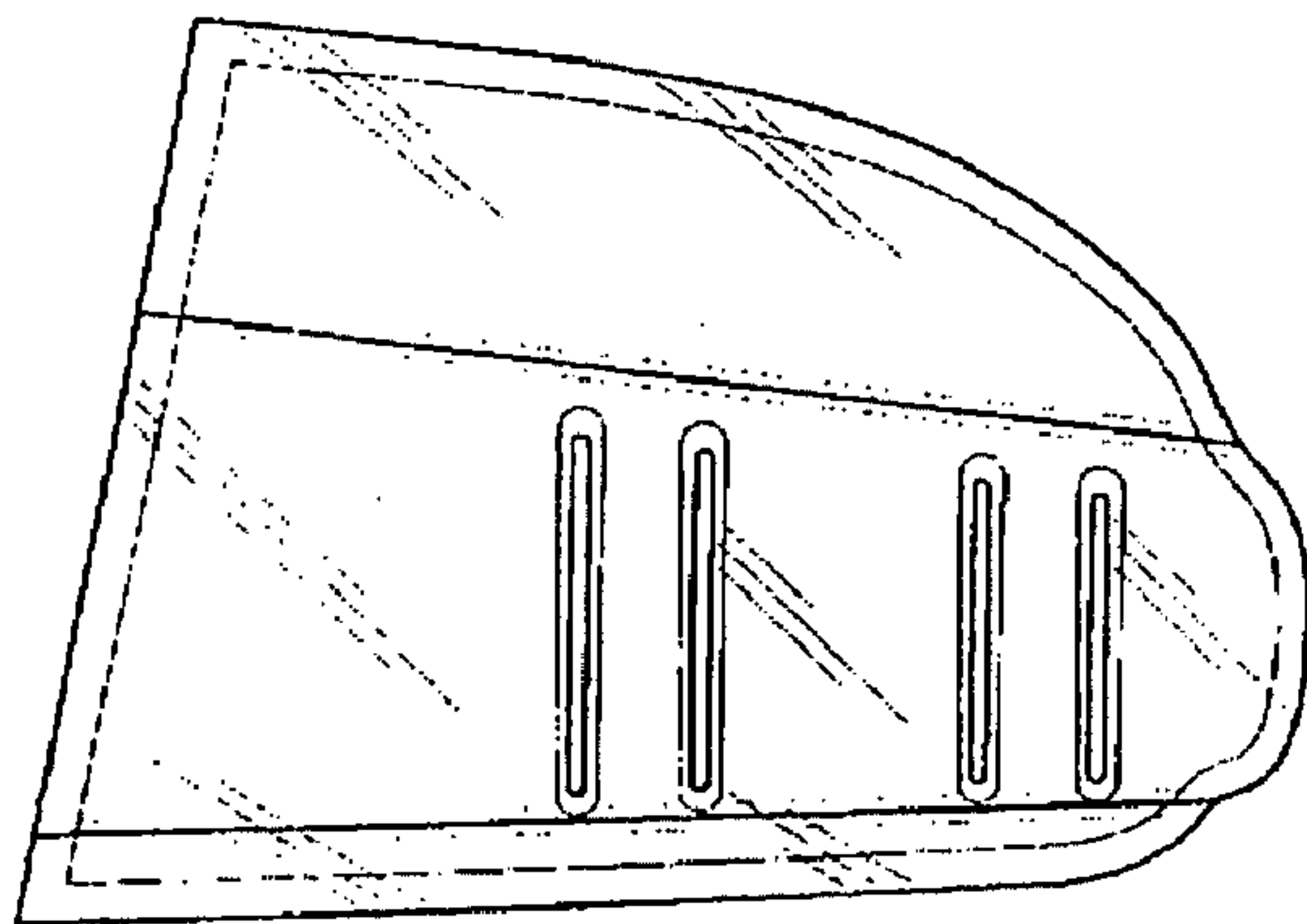


FIG. 7