



US00D549757S

(12) **United States Design Patent**
Reinius et al.

(10) **Patent No.: US D549,757 S**

(45) **Date of Patent: ** Aug. 28, 2007**

(54) **CDC HOUSING**

(75) Inventors: **Pärerik Reinius**, Enskede Gård (SE);
Olle Bobjer, Spånga (SE); **Peter Ejvinsson**, Stockholm (SE); **Marcus Gabrielsson**, Stockholm (SE); **Anna Carell**, Stockholm (SE)

(73) Assignee: **VCE Holding Sweden AB**, Eskilstuna (SE)

(**) Term: **14 Years**

(21) Appl. No.: **29/271,762**

(22) Filed: **Jan. 26, 2007**

Related U.S. Application Data

(62) Division of application No. 29/227,138, filed on Apr. 7, 2005, now Pat. No. Des. 544,510.

(30) **Foreign Application Priority Data**

Oct. 7, 2004 (EM) 000236559-0001
Oct. 7, 2004 (EM) 000236559-0002

(51) **LOC (8) Cl.** **16-99**

(52) **U.S. Cl.** **D16/130**

(58) **Field of Classification Search** D16/130-131, D16/134, 136, 227, 235, 243, 245; D14/341, D14/374; 359/363, 366, 369, 419, 505, 599, 359/613; 353/39; 248/187.1, 298.1
See application file for complete search history.

(56) **References Cited**

U.S. PATENT DOCUMENTS

2,401,224 A * 5/1946 Burton 359/505

D198,142 S * 5/1964 Armbruster D16/131
3,468,597 A * 9/1969 Jones 359/363
D217,740 S * 6/1970 Simonall D16/235
D254,311 S * 2/1980 Morgan et al. D16/131
D294,036 S * 2/1988 Yamada D16/131
D352,049 S * 11/1994 Burr et al. D16/130
D446,233 S * 8/2001 Naito D16/136
6,364,259 B1 * 4/2002 Boudard 248/187.1
D503,420 S * 3/2005 Salvatori et al. D16/235
D517,581 S * 3/2006 Apotheloz et al. D16/131
7,035,011 B2 * 4/2006 Wolf 359/599

* cited by examiner

Primary Examiner—Paula A. Greene

(74) *Attorney, Agent, or Firm*—Albihns AB

(57) **CLAIM**

The ornamental design for a CDC housing, as shown and described.

DESCRIPTION

FIG. 1 is an upper left side perspective view of a CDC housing according to our new design;

FIG. 2 is a top view thereof;

FIG. 3 is a front view thereof;

FIG. 4 is a rear view thereof;

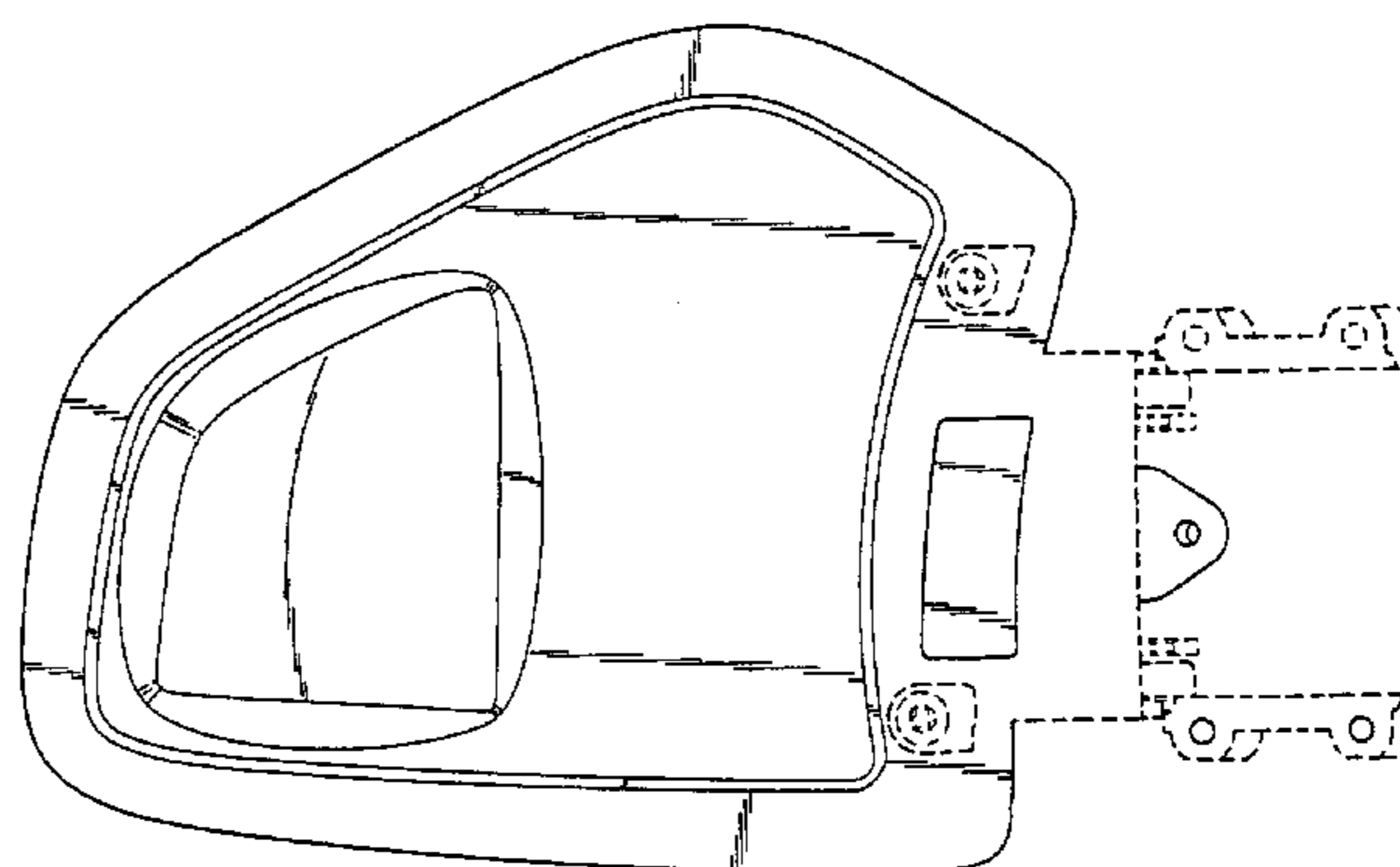
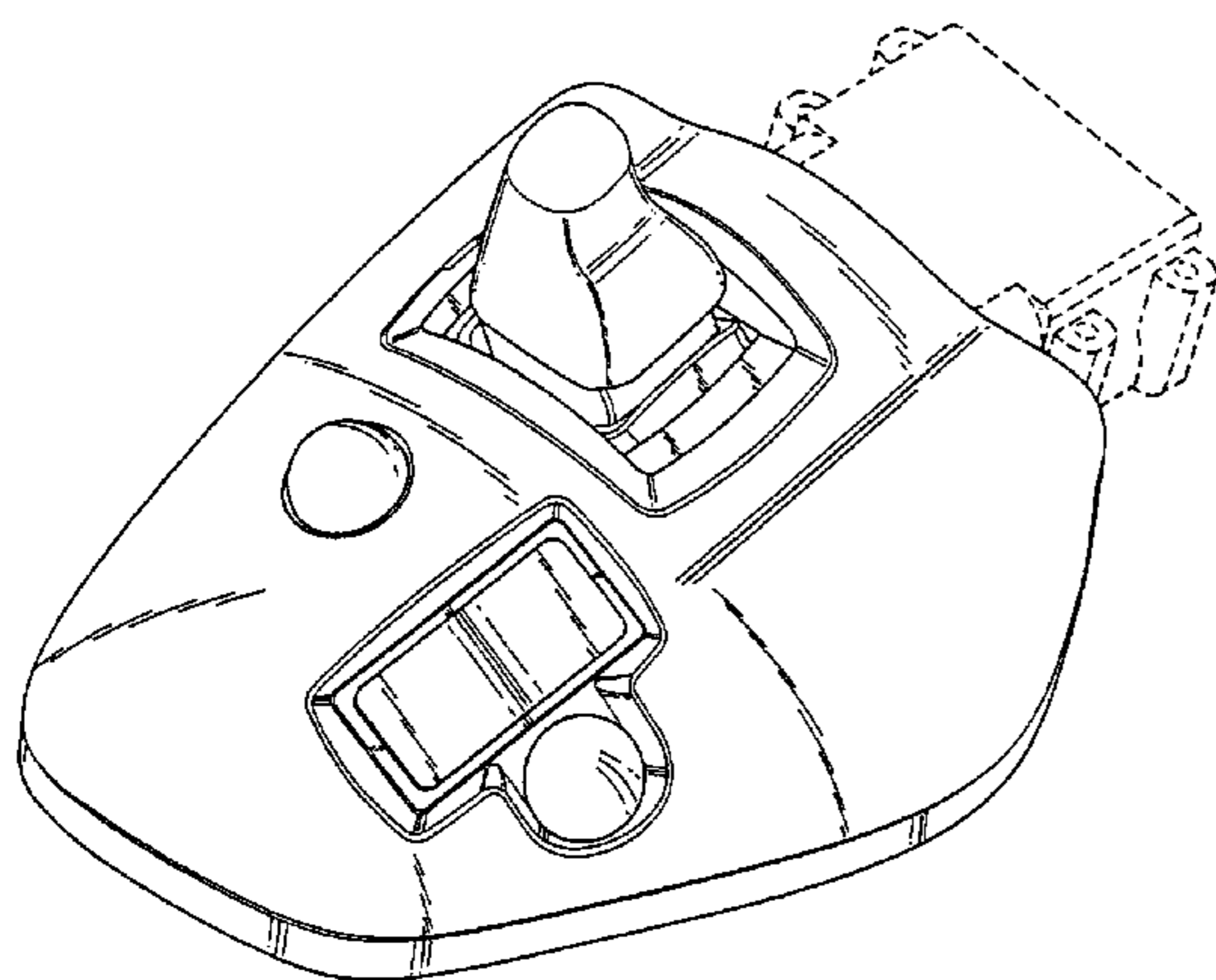
FIG. 5 is a right side view thereof;

FIG. 6 is a left side view thereof; and,

FIG. 7 is a bottom plan view thereof.

The broken lines are included for the purpose of illustration and form no part of the claimed design.

1 Claim, 4 Drawing Sheets



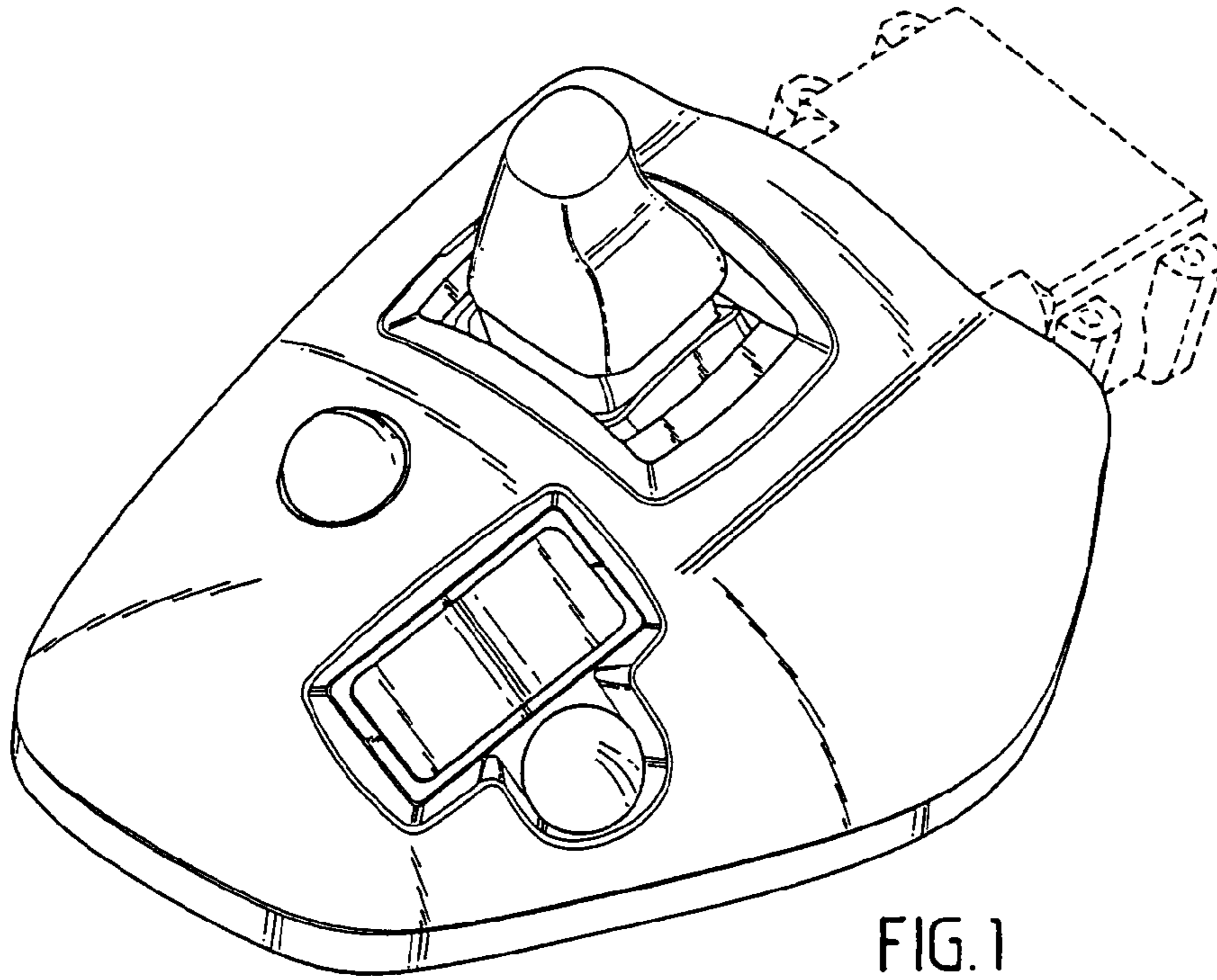


FIG. 1

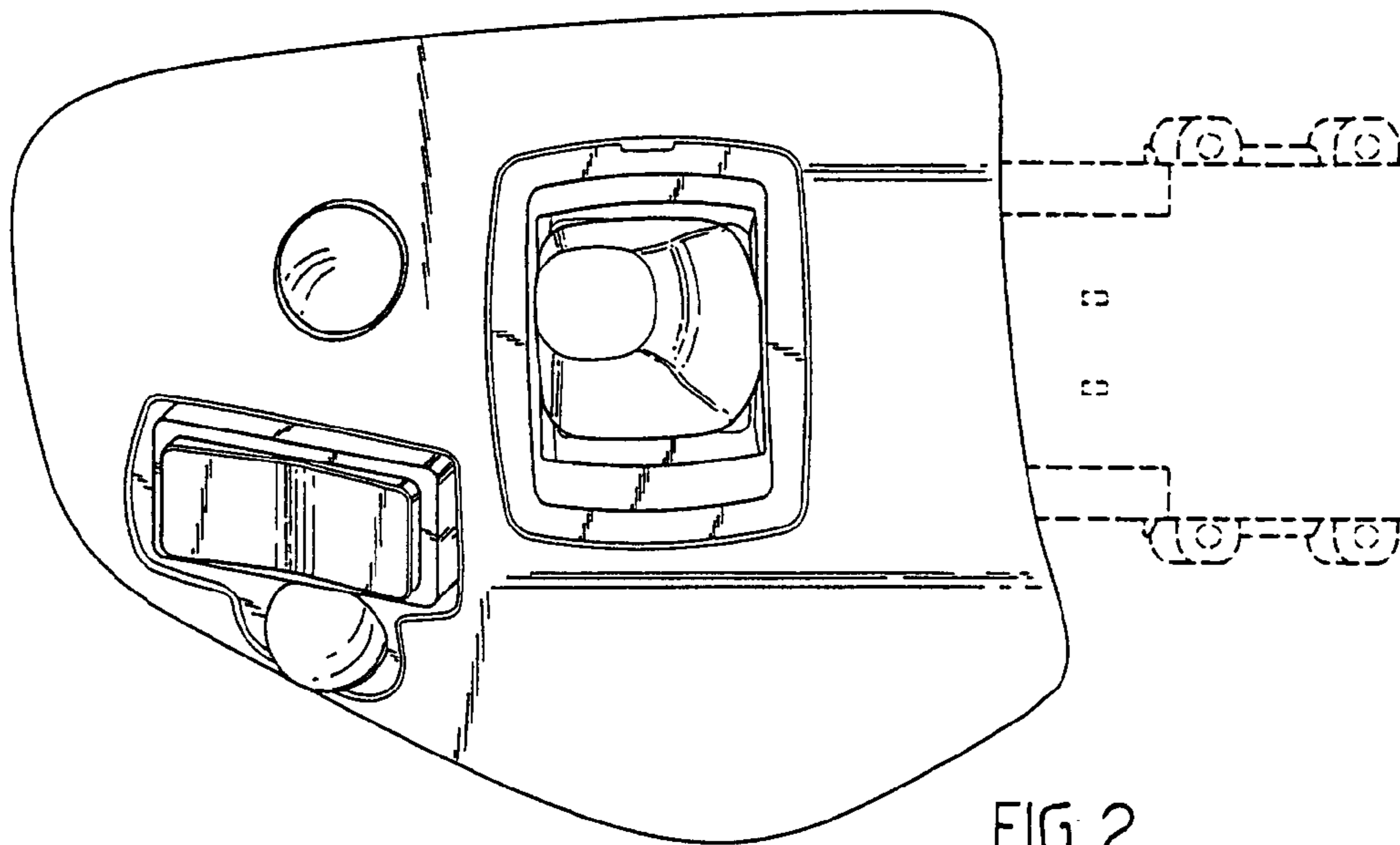


FIG. 2

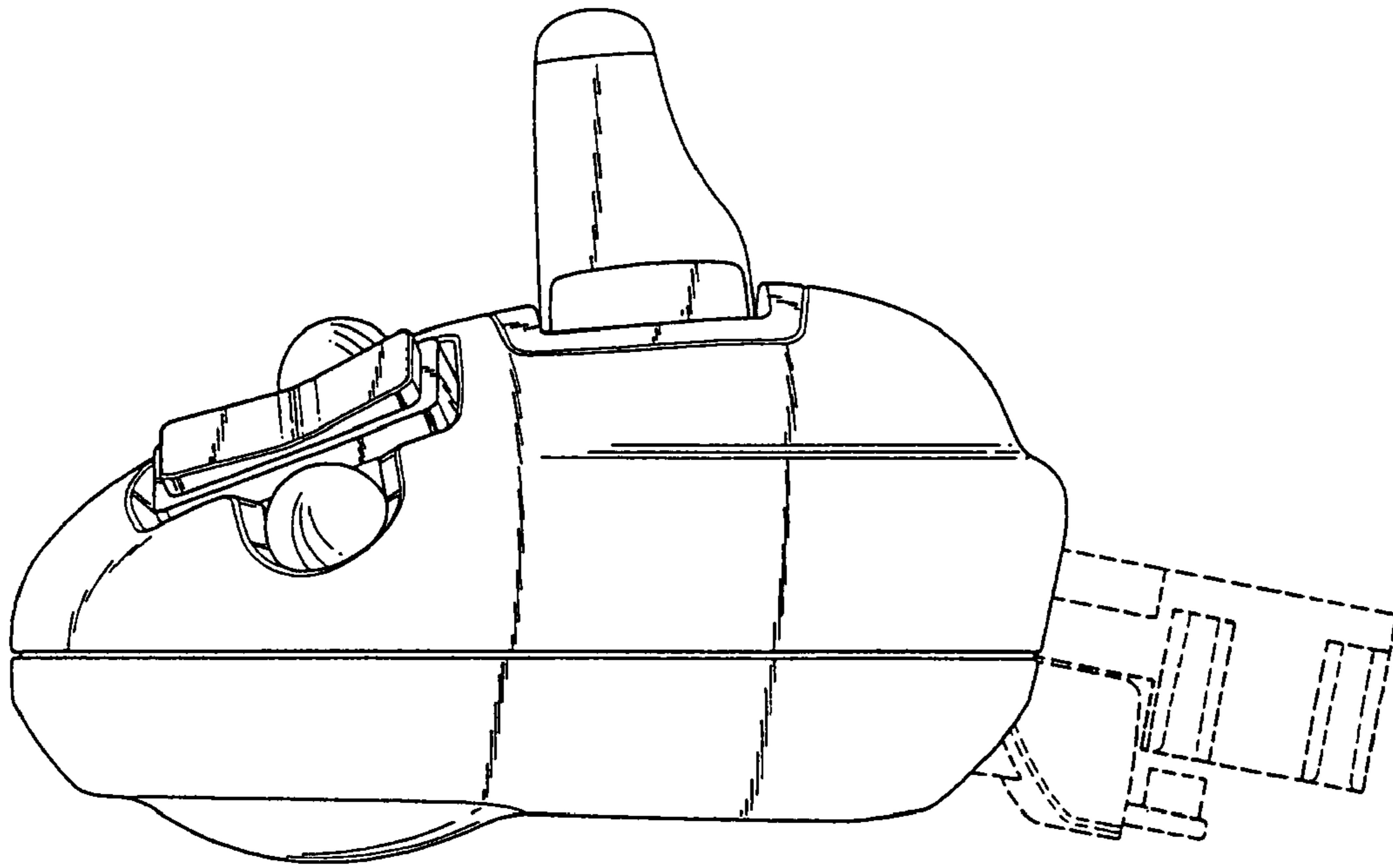


FIG. 3

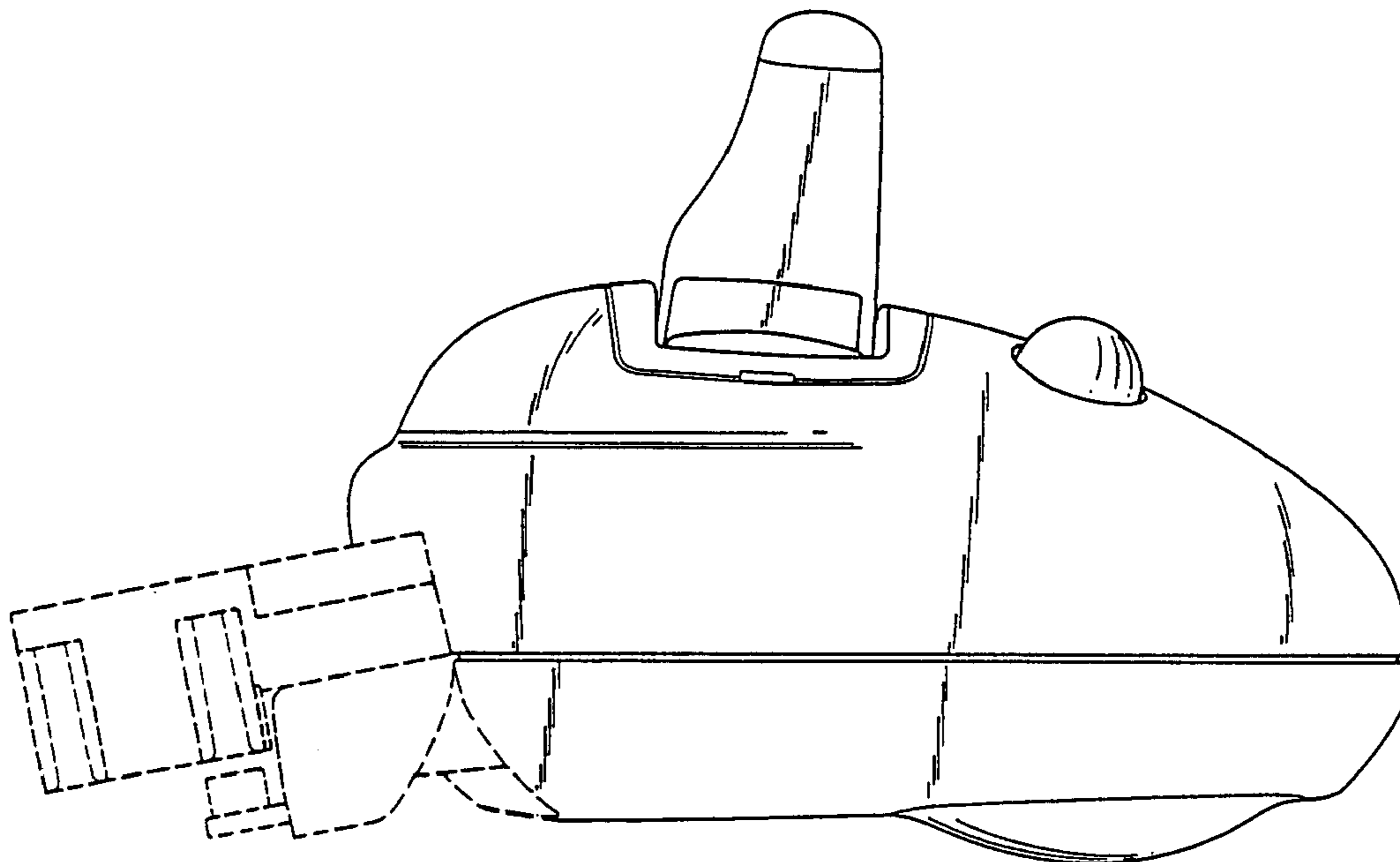


FIG. 4

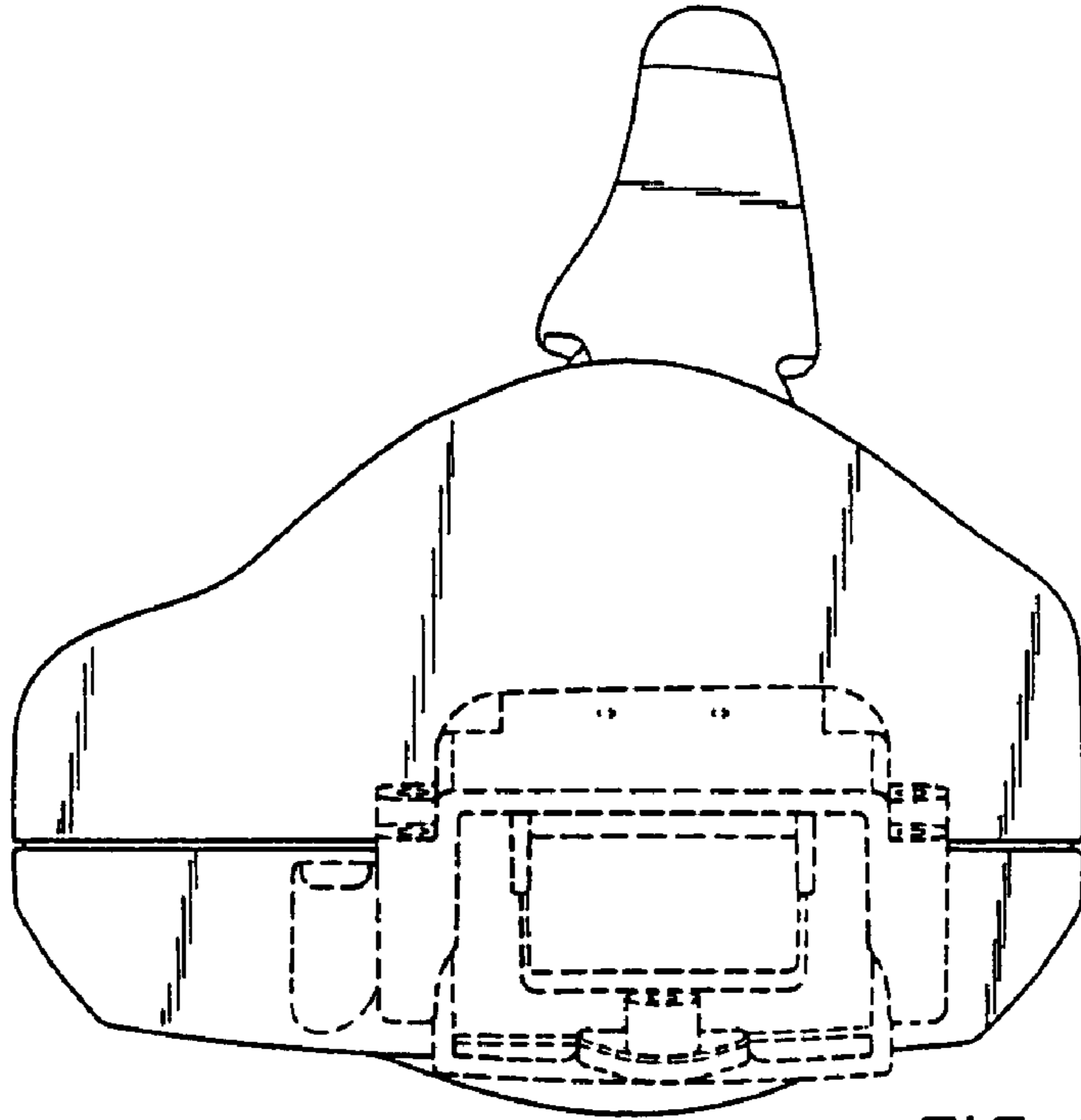


FIG. 5

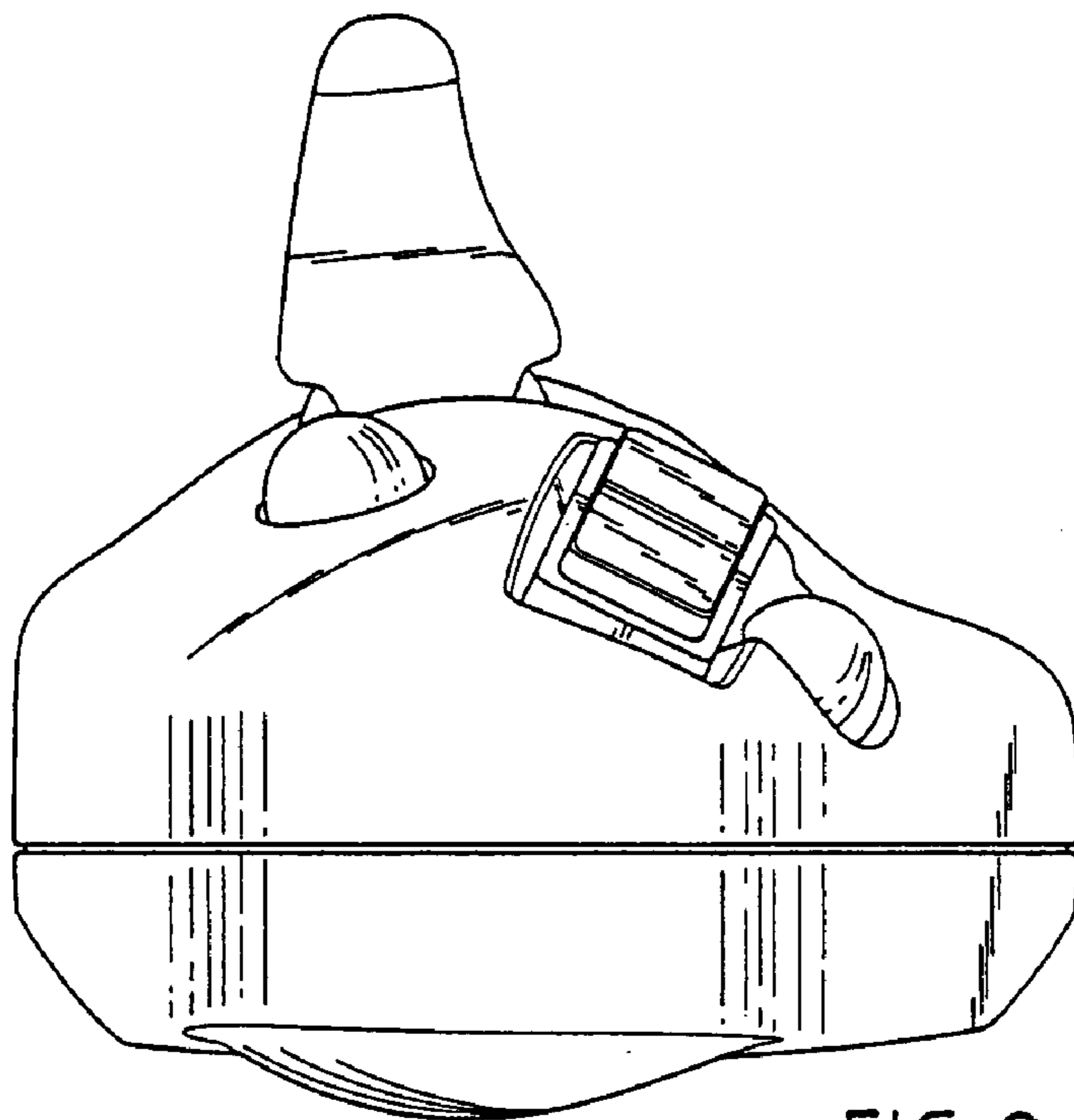


FIG. 6

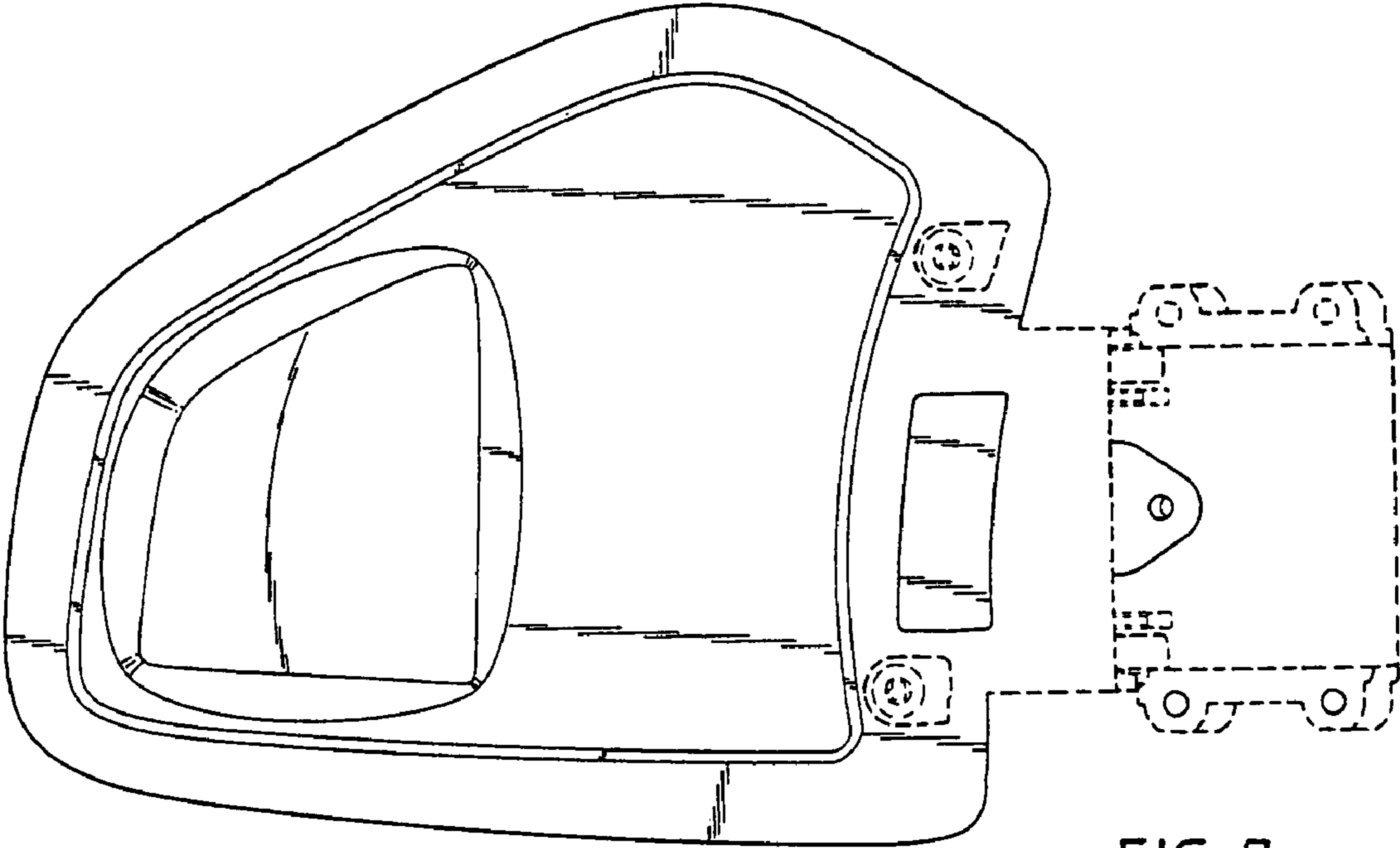


FIG. 7