



US00D549756S

(12) **United States Design Patent** (10) **Patent No.:** **US D549,756 S**
Park et al. (45) **Date of Patent:** **** Aug. 28, 2007**

(54) **HOME SERVICE ROBOT**

(75) Inventors: **Shinyoung Park**, Jongno-gu (KR);
Changsu Lee, Seodaemun-gu (KR);
Kyunghee Han, Gangnam-gu (KR);
Seongho Won, Jung-gu (KR);
Youngbae Jung, Yangcheon-gu (KR);
Younggil Kim, Goyang (KR); **Okryul Yang**, Nowon-gu (KR); **Wook Kang**, Jungnang-gu (JP); **Songye Yoon**, Eunpyeong-gu (KR)

6,507,773	B2 *	1/2003	Parker et al.	700/258
6,604,021	B2 *	8/2003	Imai et al.	700/245
D508,508	S *	8/2005	Burick	D15/199
6,925,358	B2 *	8/2005	Chiu	700/245
6,967,455	B2 *	11/2005	Nakadai et al.	318/568.12
D536,010	S *	1/2007	Takahashi	D15/199
7,164,970	B2 *	1/2007	Wang et al.	700/245
7,171,286	B2 *	1/2007	Wang et al.	700/248
2003/0120389	A1 *	6/2003	Abramson et al.	700/245
2004/0093650	A1 *	5/2004	Martins et al.	901/1
2006/0149419	A1 *	7/2006	Ogawa et al.	700/245
2006/0178777	A1 *	8/2006	Park et al.	700/245

(73) Assignee: **SK Telecom Co., Ltd**, Seoul (KR)

(**) Term: **14 Years**

(21) Appl. No.: **29/254,788**

(22) Filed: **Feb. 27, 2006**

(30) **Foreign Application Priority Data**

Dec. 29, 2005 (KR) 30-2005-0044851

(51) **LOC (8) Cl.** **15-99**

(52) **U.S. Cl.** **D15/199**

(58) **Field of Classification Search** D15/199;
74/214; 104/165; 180/8.6; 228/29; 250/253,
250/367; 318/568.12, 568.2; 364/424.02;
367/120, 124, 126, 129

See application file for complete search history.

(56) **References Cited**

U.S. PATENT DOCUMENTS

5,324,948	A *	6/1994	Dudar et al.	250/379
5,610,488	A *	3/1997	Miyazawa	318/568.11
6,127,792	A *	10/2000	Kamiya et al.	318/432
6,430,475	B2 *	8/2002	Okamoto et al.	700/245

* cited by examiner

Primary Examiner—Antoine D. Davis

Assistant Examiner—Patricia Palasik

(74) *Attorney, Agent, or Firm*—Lahive & Cockfield, LLP

(57) **CLAIM**

The ornamental design for a home service robot, as shown and described.

DESCRIPTION

FIG. 1 is a perspective view of a home service robot showing our new design;

FIG. 2 is a front elevational view thereof;

FIG. 3 is a rear elevational view thereof;

FIG. 4 is a left side elevational view thereof;

FIG. 5 is a right side elevational view thereof;

FIG. 6 is a top plan view thereof;

FIG. 7 is a bottom plan view thereof;

FIG. 8 is another right side elevational view thereof; and,

FIG. 9 is another top plan view.

1 Claim, 9 Drawing Sheets

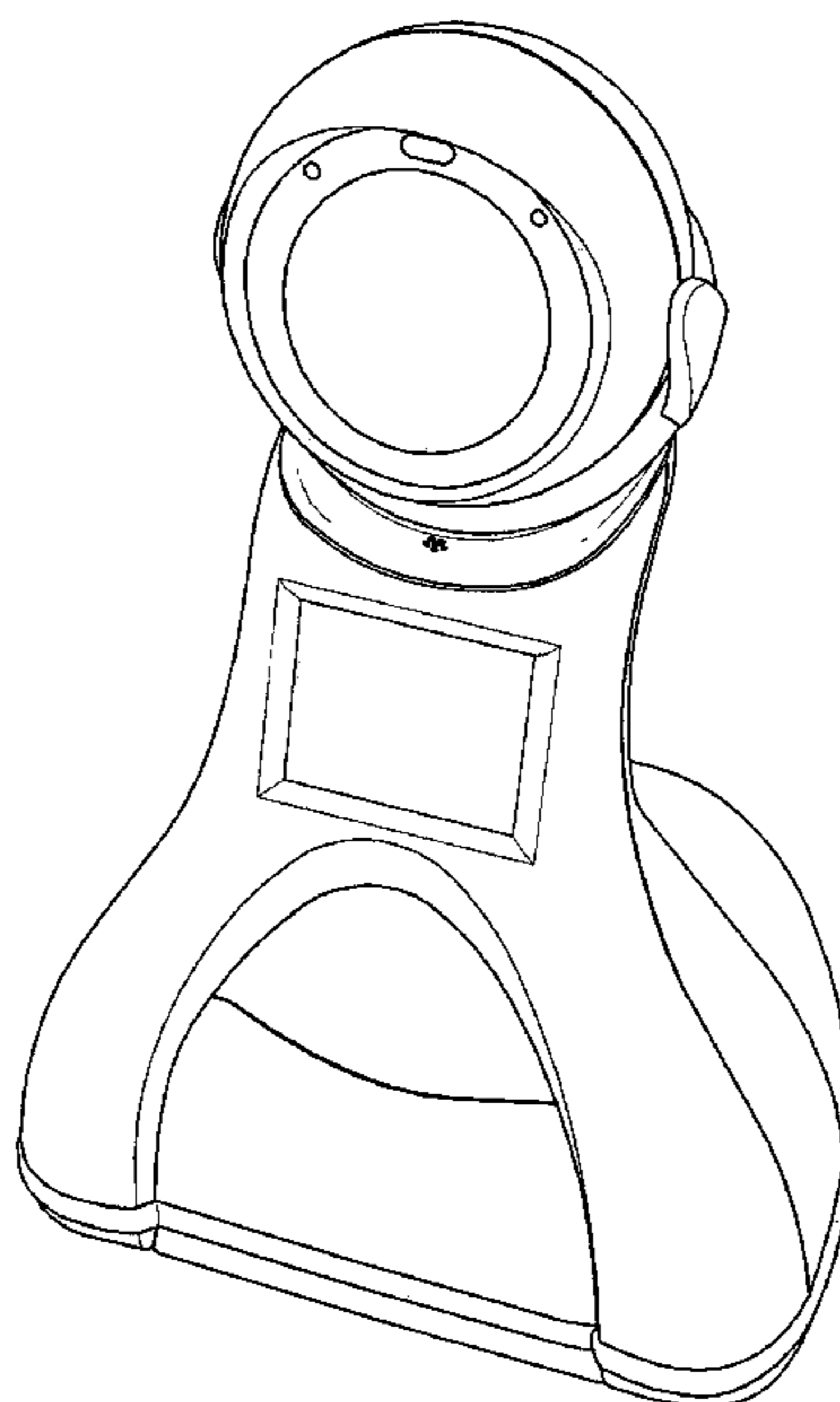


FIG. 1

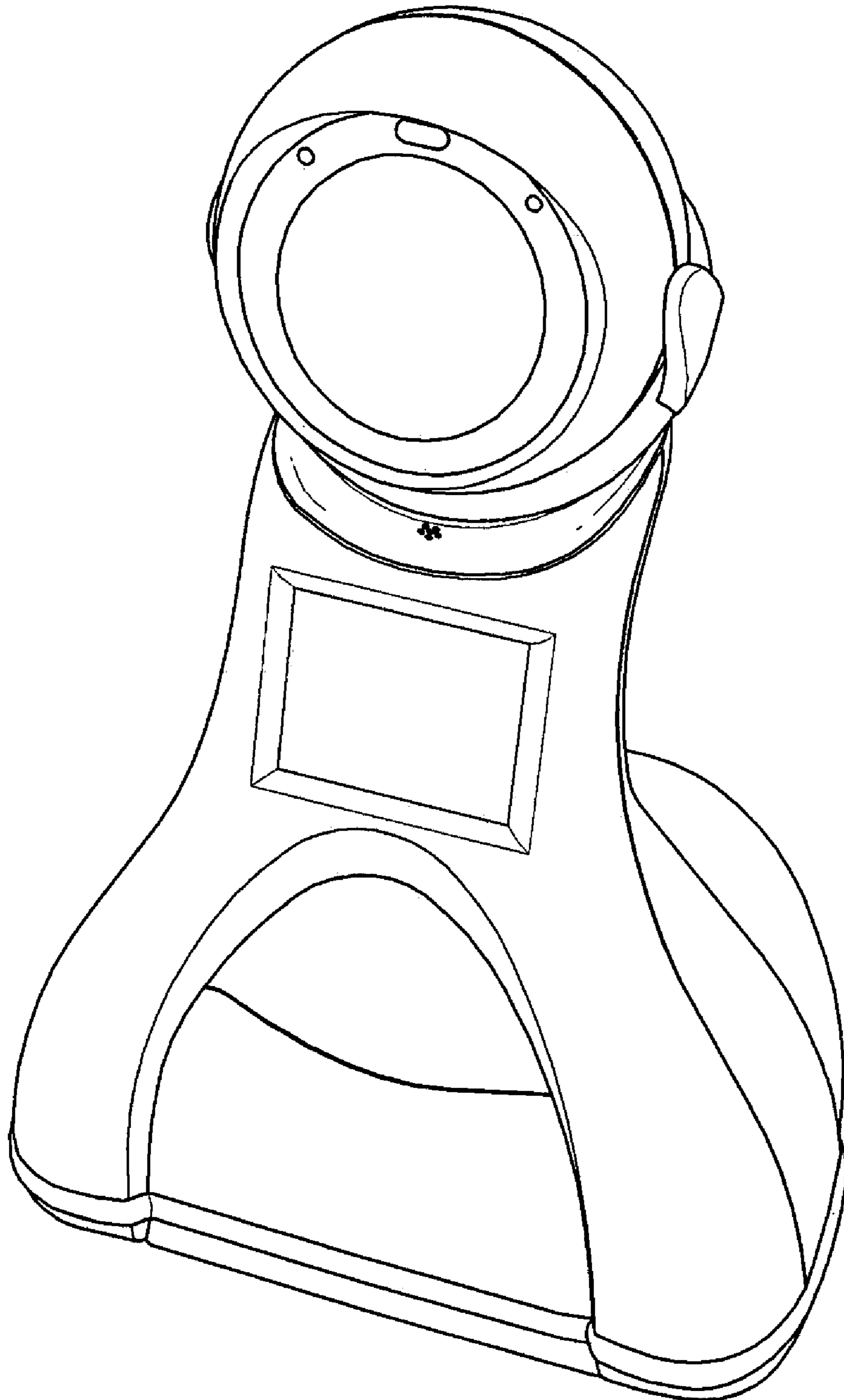


FIG. 2

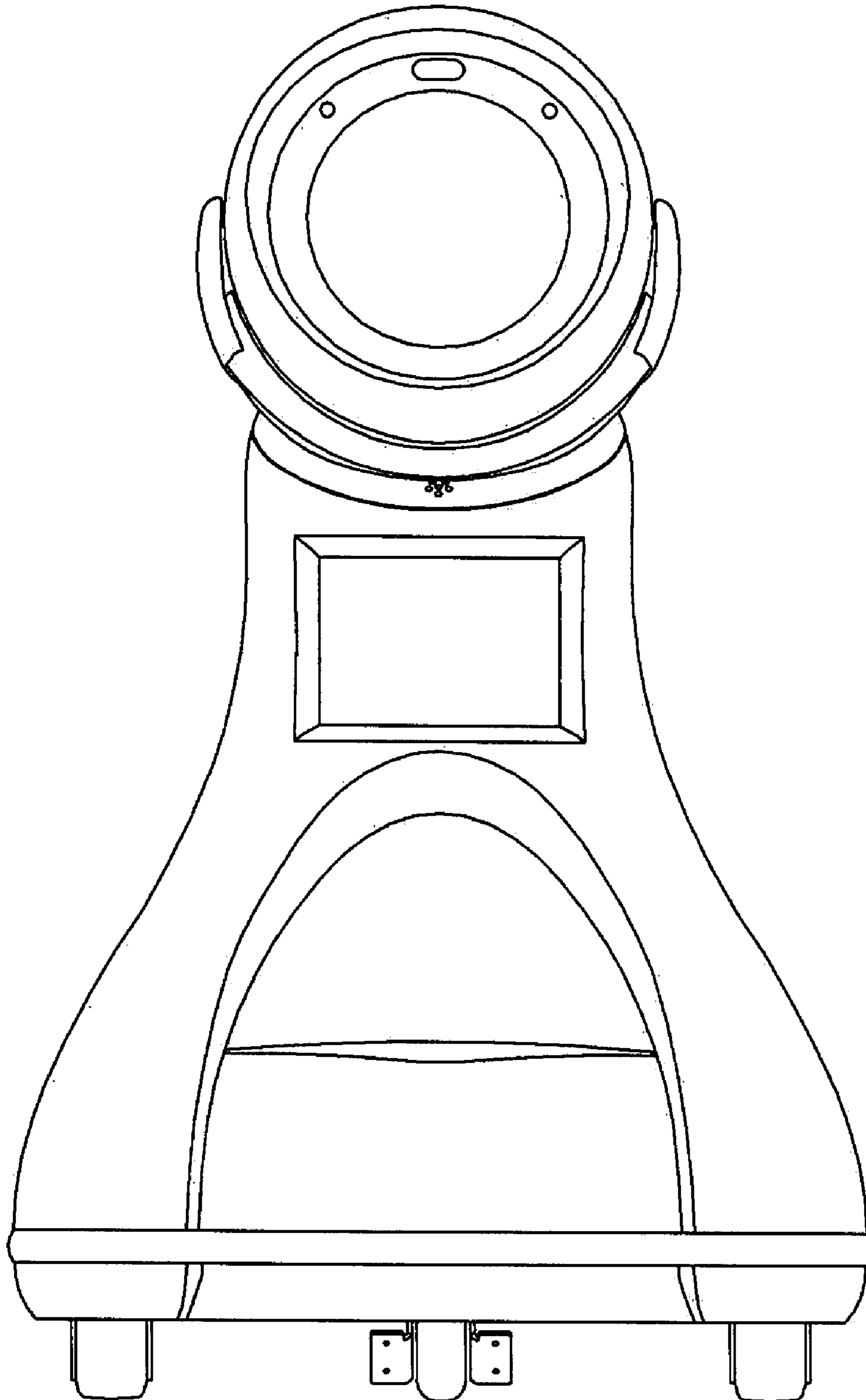


FIG. 3

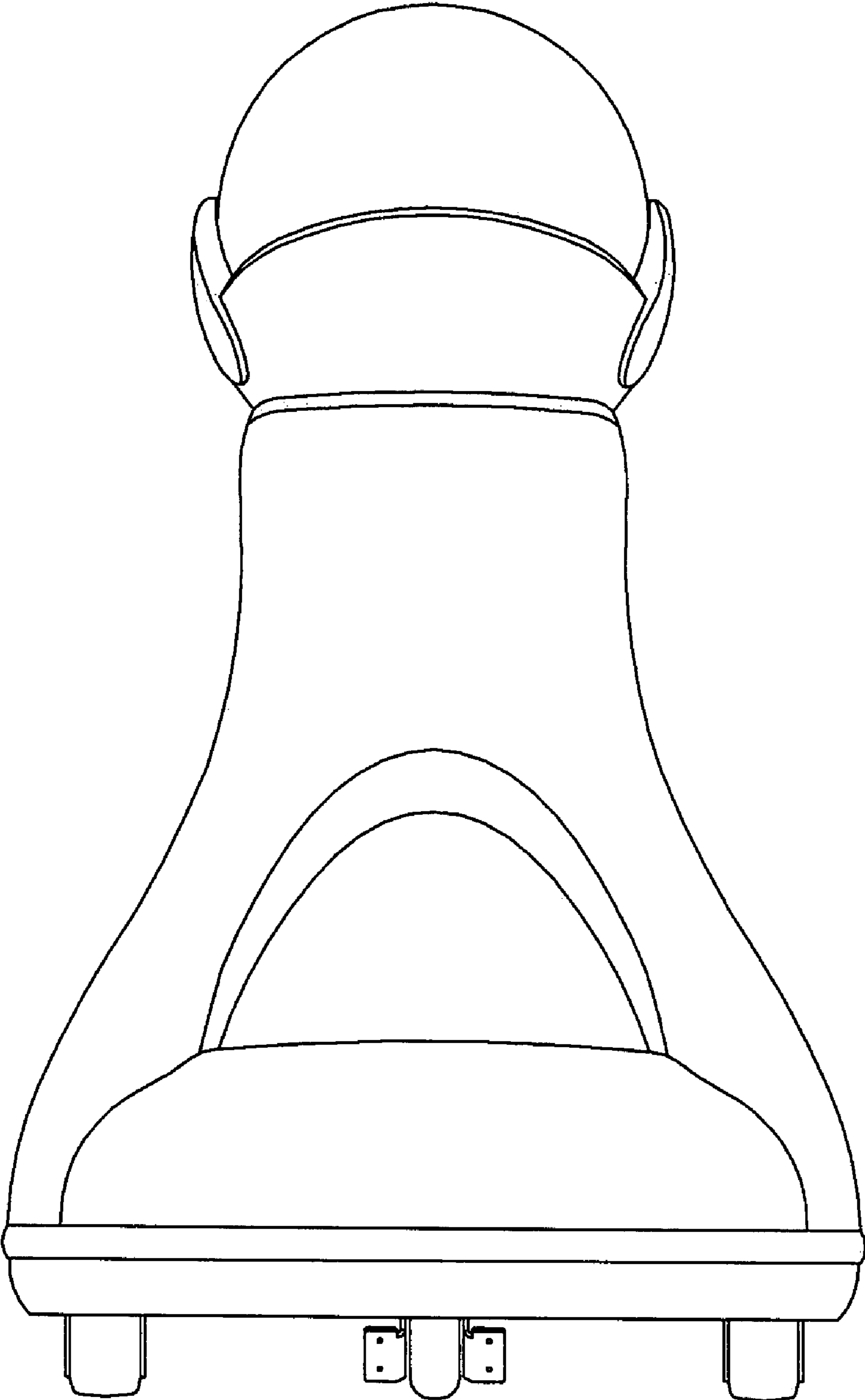


FIG. 4

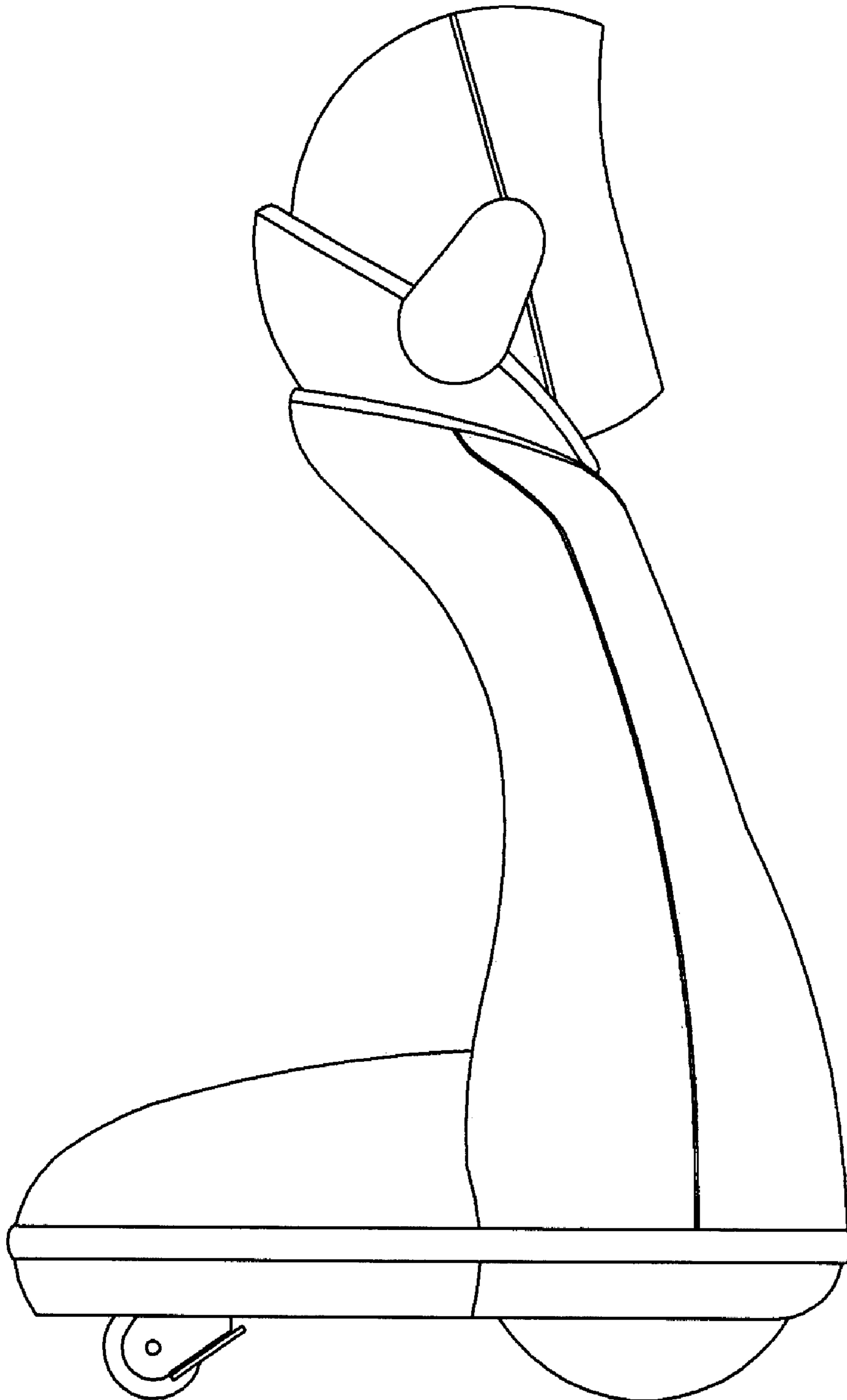


FIG. 5

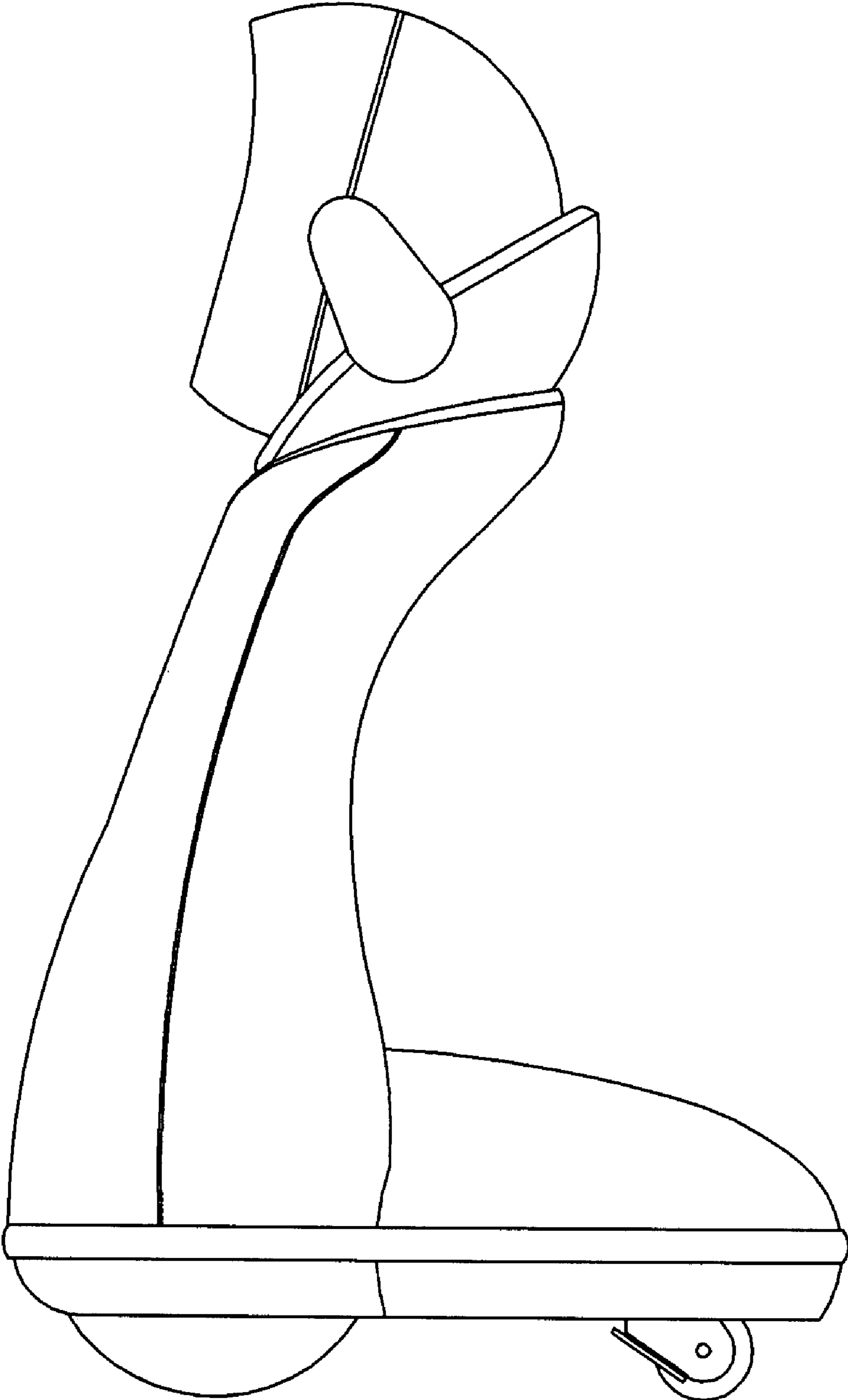


FIG. 6

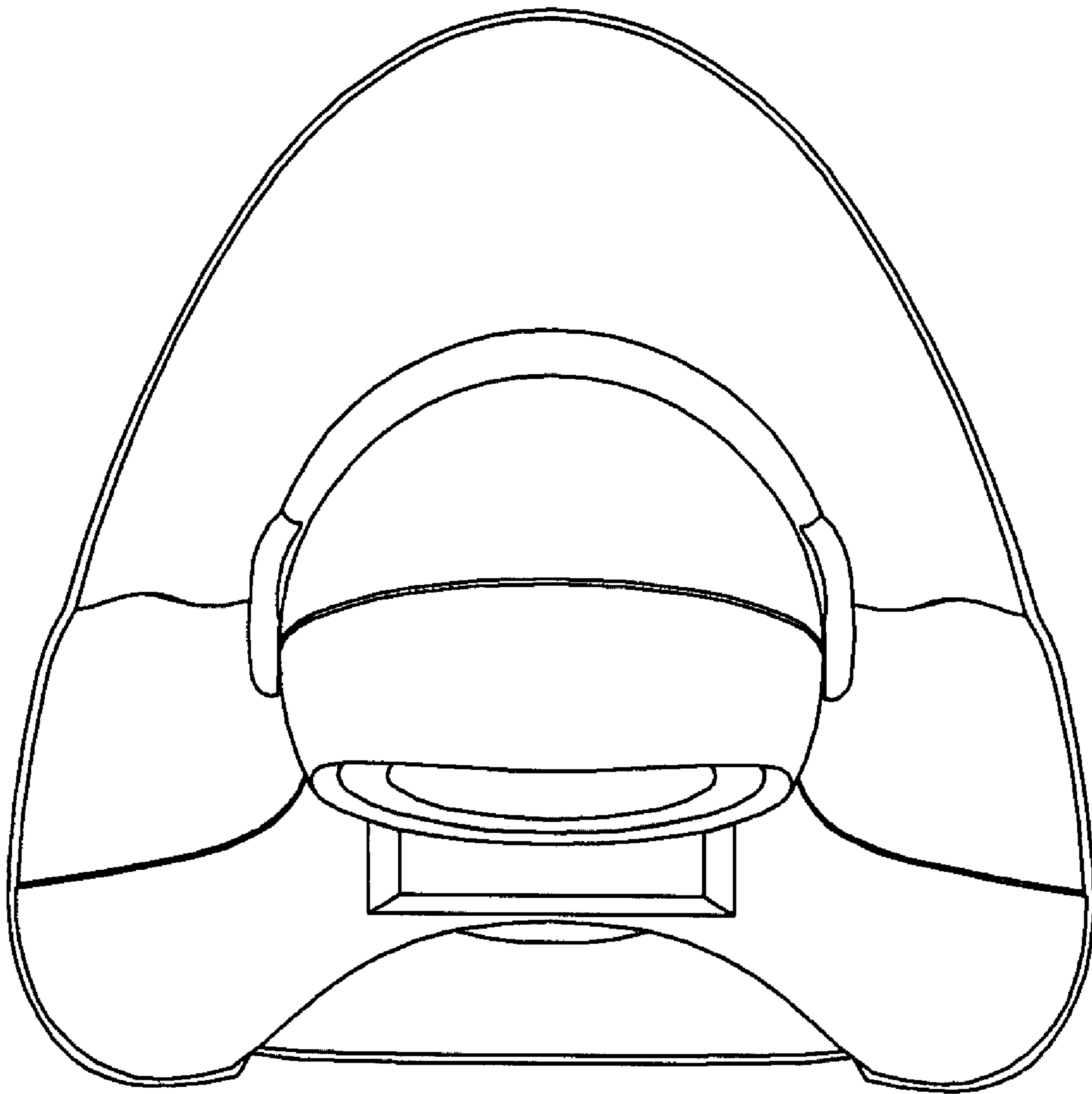


FIG. 7

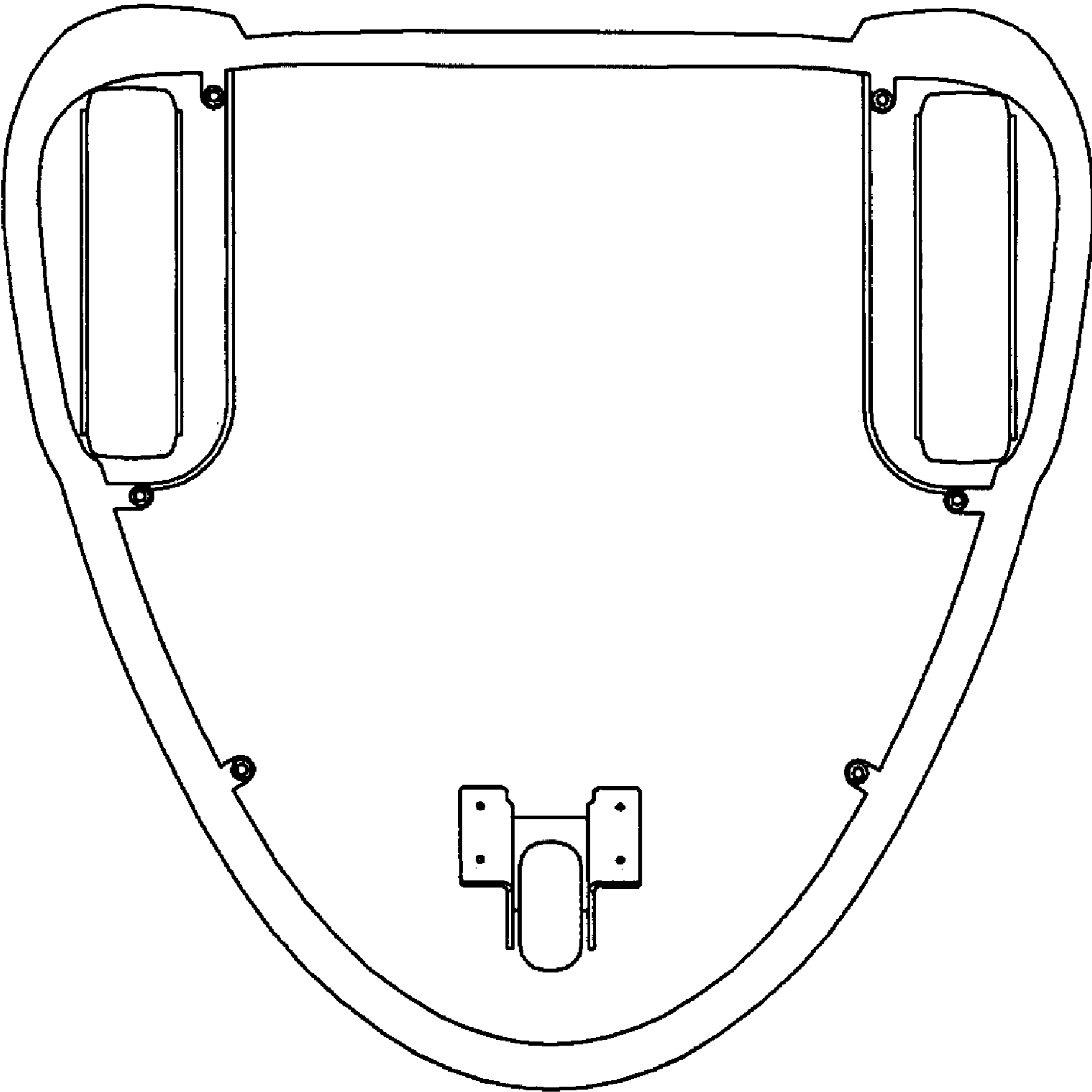


FIG. 8

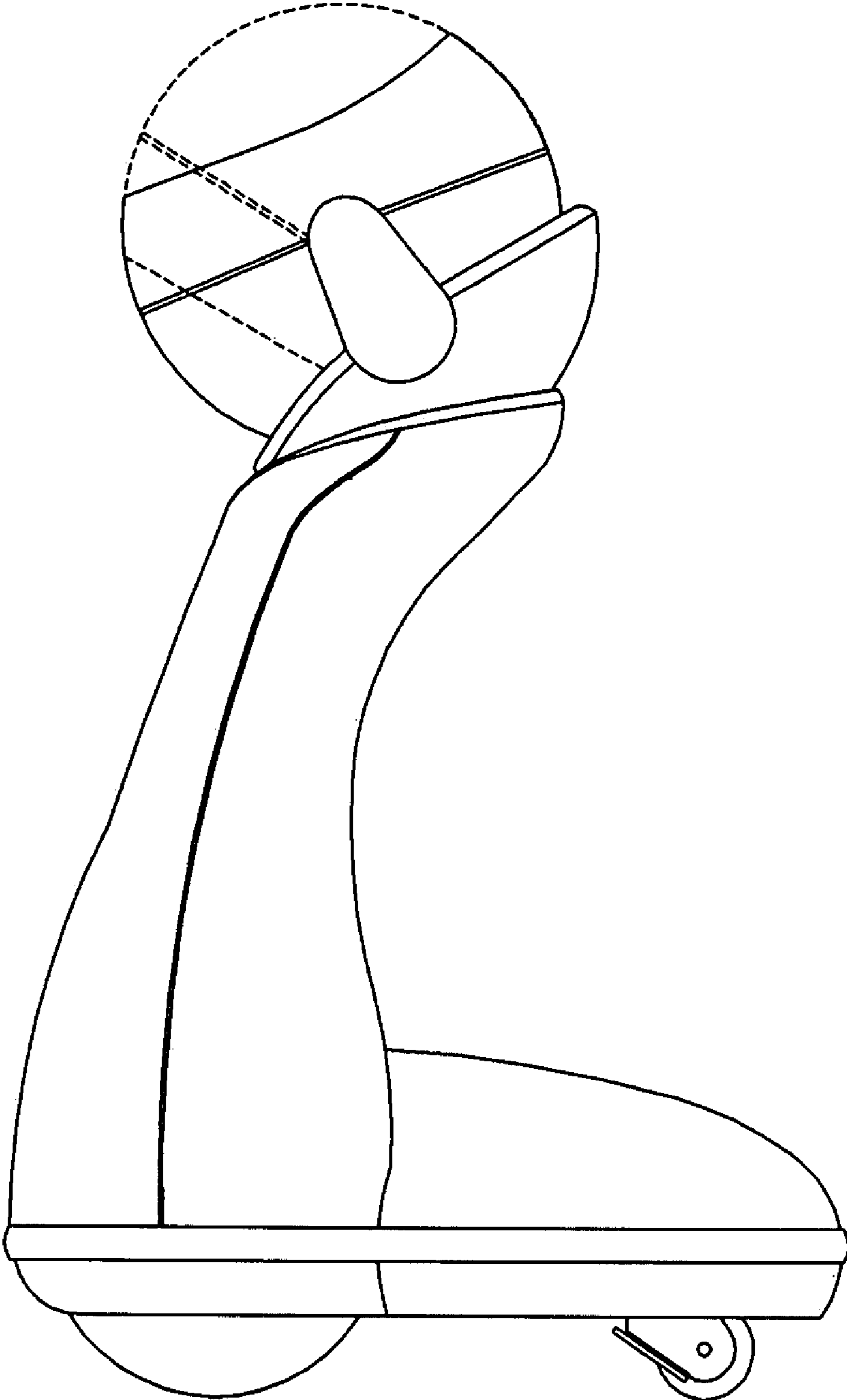


FIG. 9

