

US00D549755S

(12) **United States Design Patent**
Wietgreffe et al.

(10) **Patent No.:** **US D549,755 S**

(45) **Date of Patent:** **** Aug. 28, 2007**

(54) **PRODUCT DISTRIBUTOR**

(76) Inventors: **Gary W. Wietgreffe**, 196 E. 6th St., Loft 406, Sioux Falls, SD (US) 57104; **David G. Struxness**, 8065 40th St. SE., Clara City, MN (US) 56222; **Leland J. Erickson**, 2212 10th Ave. SE., Willmar, MN (US) 56201; **Jarud H. Hoefker**, 710 10th Ave. SE., Maynard, MN (US) 56260; **Zachary B. Johnson**, 3707 246th St., Montevideo, MN (US) 56265; **Jason M Schwiderski**, 802 Church St., Benson, MN (US) 56215; **David J. Gelhar**, 1180 40th Ave. SE., DeGraff, MN (US) 56233; **Jeff A. Schultz**, 3041 60th Ave. SW., Montevideo, MN (US) 56265; **Kevin R. Wald**, 117 Black Oak Ave., Montevideo, MN (US) 56265; **Todd E. Osman**, 815 Grove Ave., Montevideo, MN (US) 56265; **Jason J. Dehne**, 4015 140th Ave. NW., Milan, MN (US) 56262; **John V. Roberts**, 24463 310 Ave., Starbuck, MN (US) 56381

4,790,484 A * 12/1988 Wall 239/655
D332,615 S * 1/1993 Fang et al. D15/122
5,639,181 A * 6/1997 Swisher, Jr. D15/10
5,740,746 A * 4/1998 Ledermann et al. 222/414

* cited by examiner

Primary Examiner—Antoine D. Davis

Assistant Examiner—Patricia Palasik

(74) *Attorney, Agent, or Firm*—Brooks, Cameron & Huebsch, PLLC

(57) **CLAIM**

The ornamental design for a product distributor, as shown and described.

DESCRIPTION

FIG. 1 is an angled top perspective showing front and right side of a product distributor embodiment of the present disclosure;

FIG. 2 is a right side view of the embodiment of FIG. 1;

FIG. 3 is a left side view of the embodiment of FIG. 1;

FIG. 4 is a top plan view of the embodiment of FIG. 1;

FIG. 5 is a bottom plan view of the embodiment of FIG. 1;

FIG. 6 is a front end view of the embodiment of FIG. 1;

FIG. 7 is a back end view of the embodiment of FIG. 1;

FIG. 8 is an angled bottom perspective showing front and right side of the embodiment of FIG. 1; and,

FIG. 9 is an angled top perspective showing back and right side of the embodiment of FIG. 1.

(**) Term: **14 Years**

(21) Appl. No.: **29/251,978**

(22) Filed: **Jan. 17, 2006**

(51) **LOC (8) Cl.** **15-99**

(52) **U.S. Cl.** **D15/199**

(58) **Field of Classification Search** D15/10,
D15/13, 122, 199; D34/28, 29; 74/650;
111/11, 65, 171, 174, 175, 177, 185, 900;
239/650

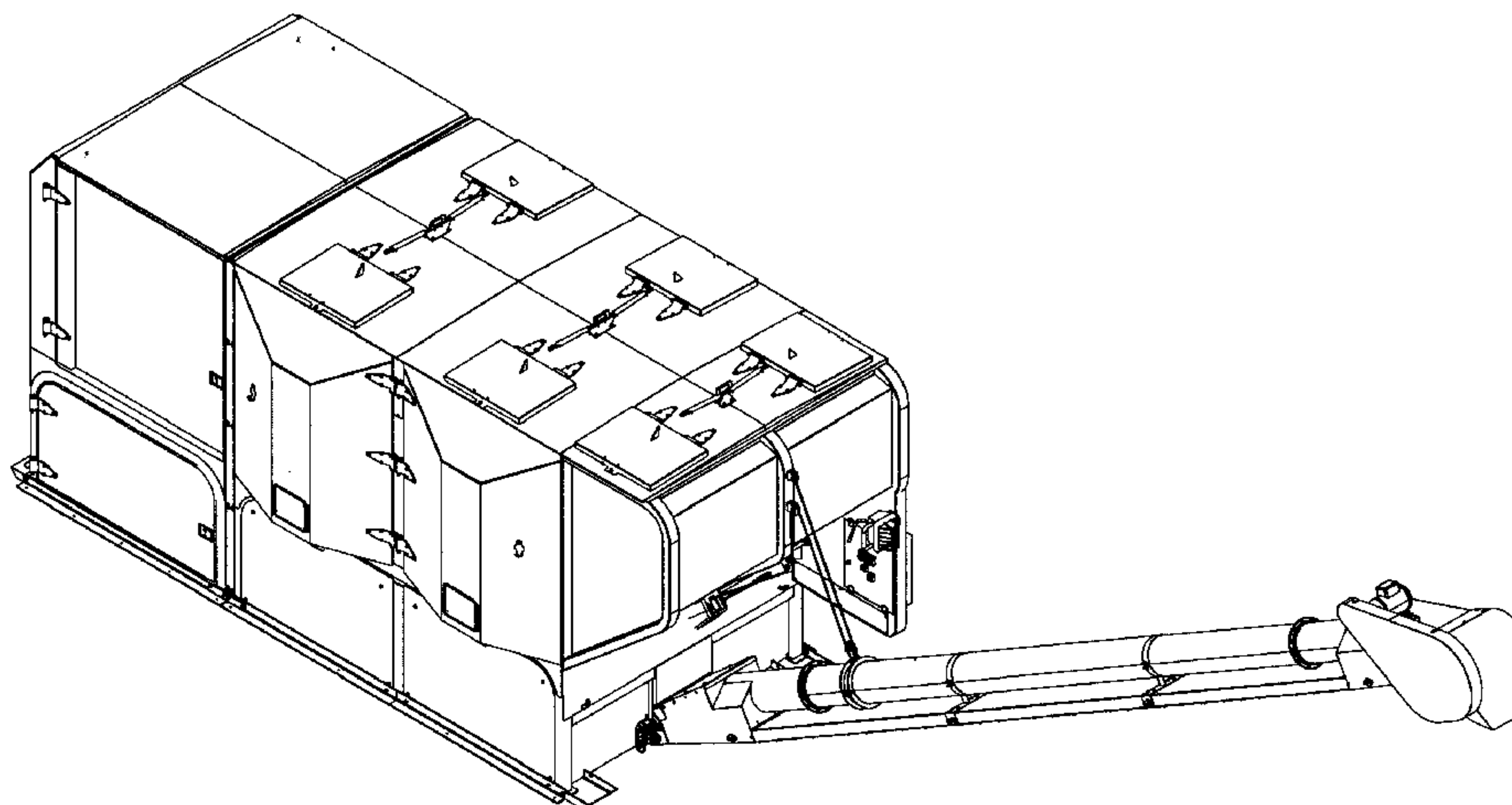
See application file for complete search history.

(56) **References Cited**

U.S. PATENT DOCUMENTS

D291,890 S * 9/1987 Inoue et al. D15/199

1 Claim, 8 Drawing Sheets



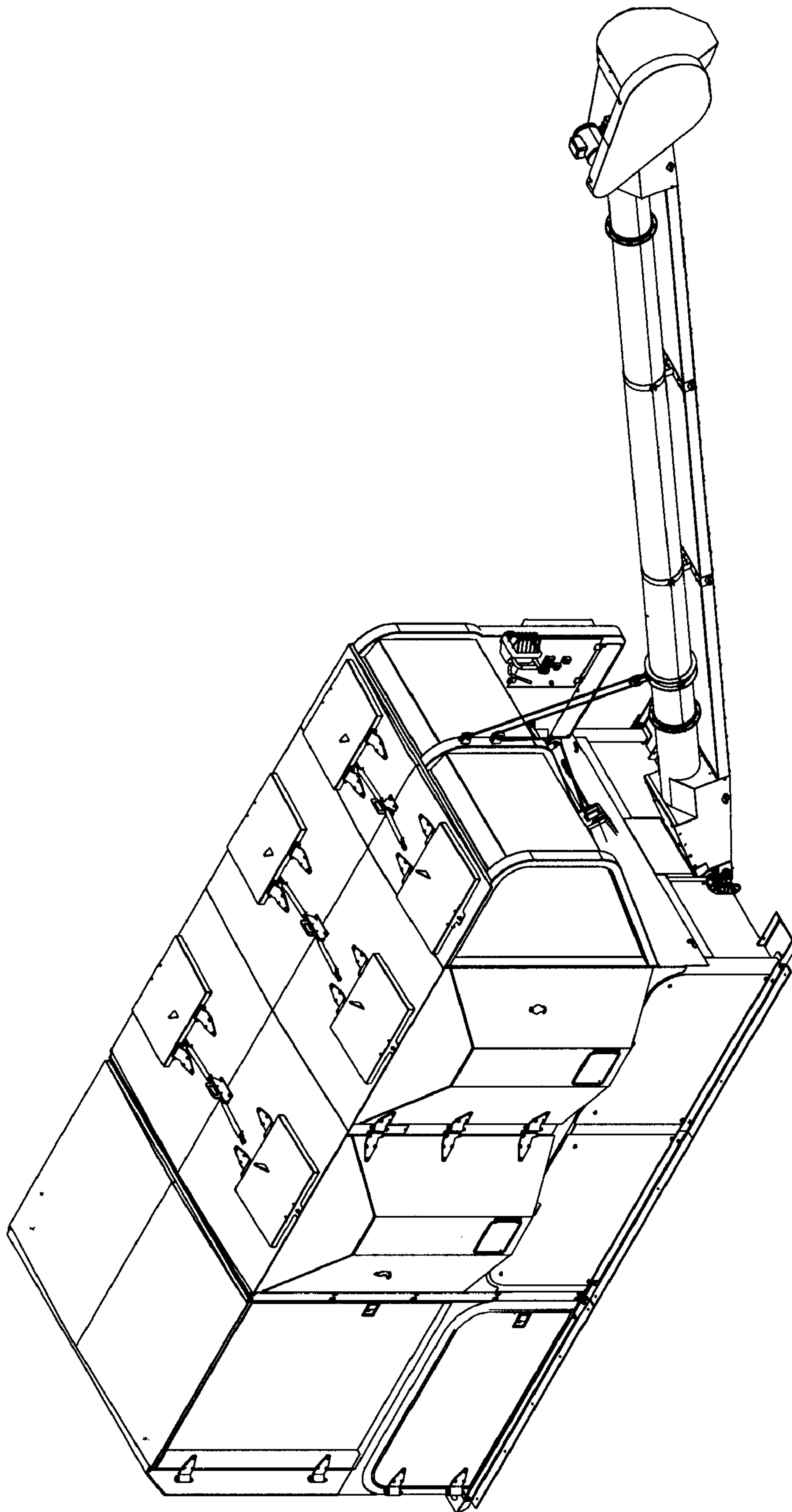


Fig. 1

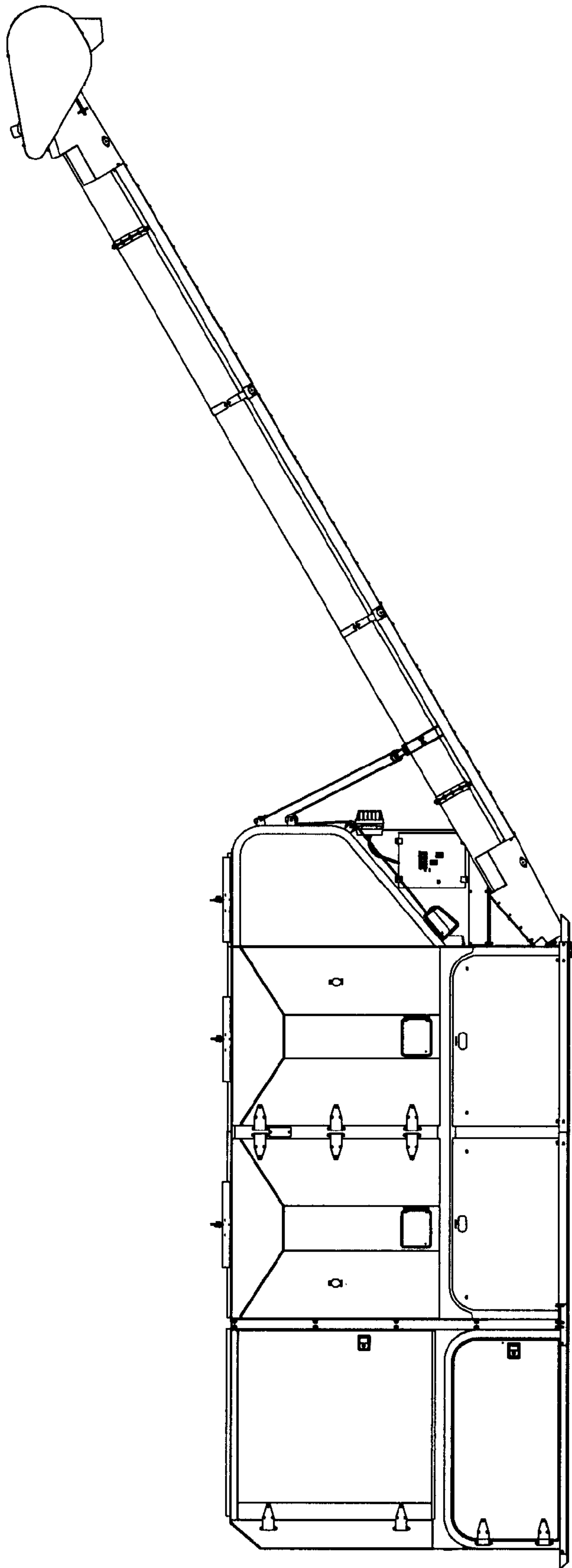


Fig. 2

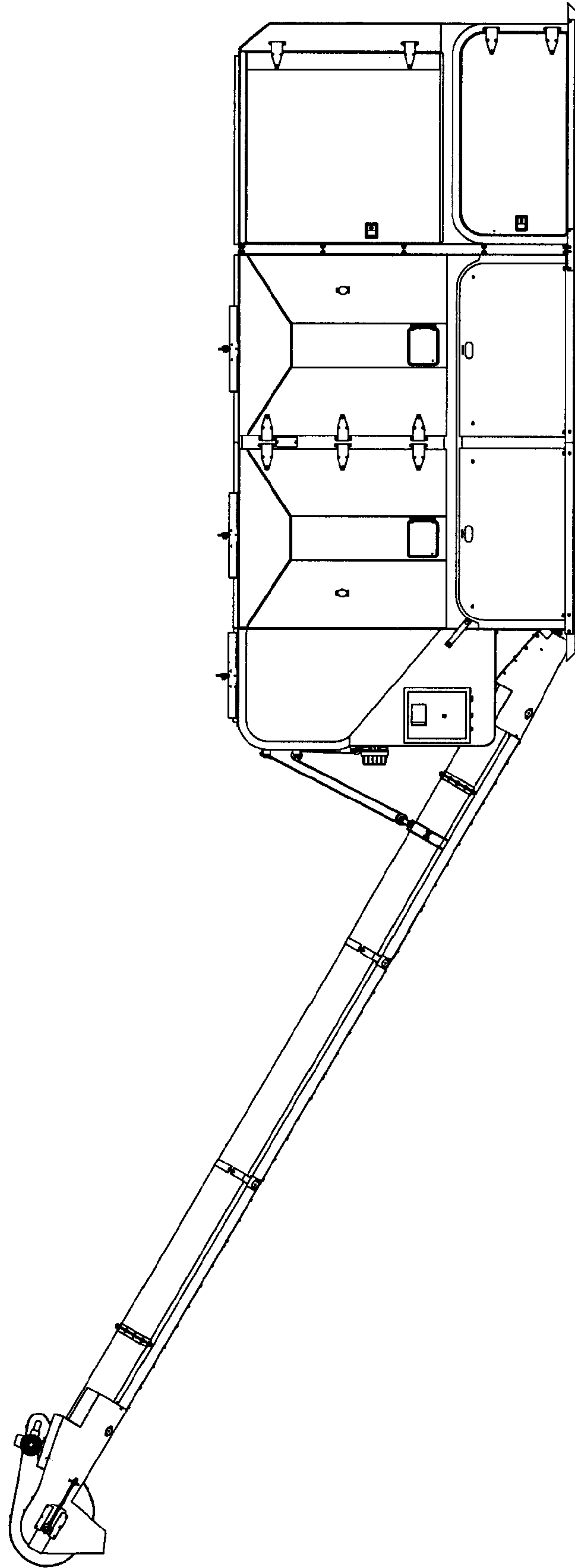


Fig. 3

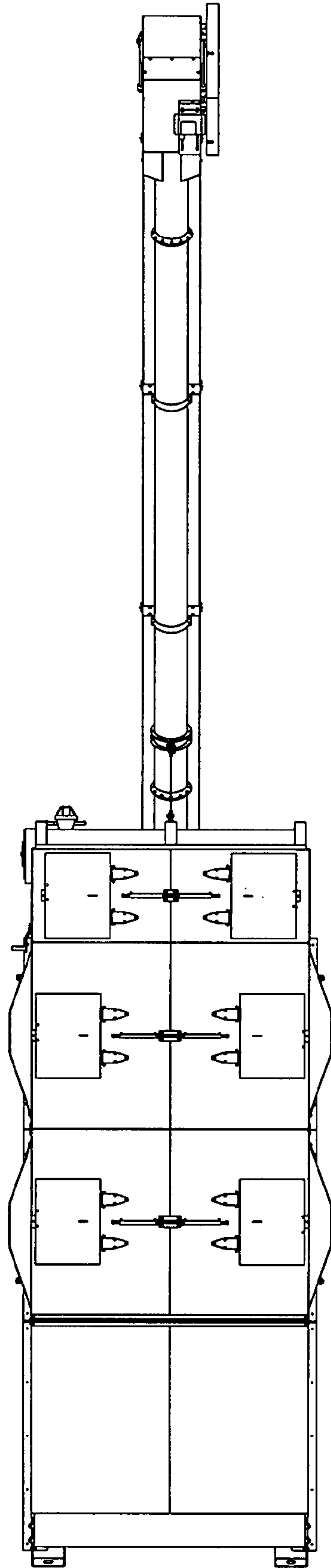


Fig. 4

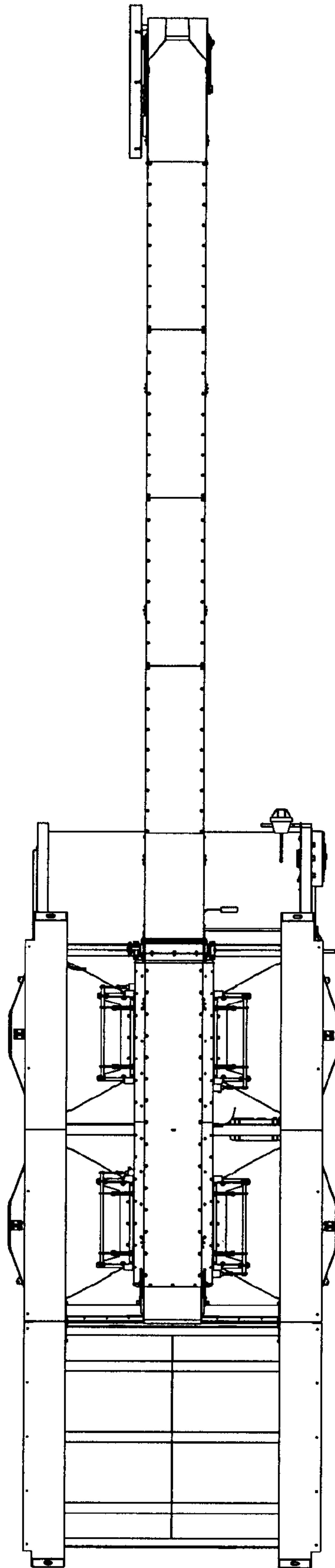


Fig. 5

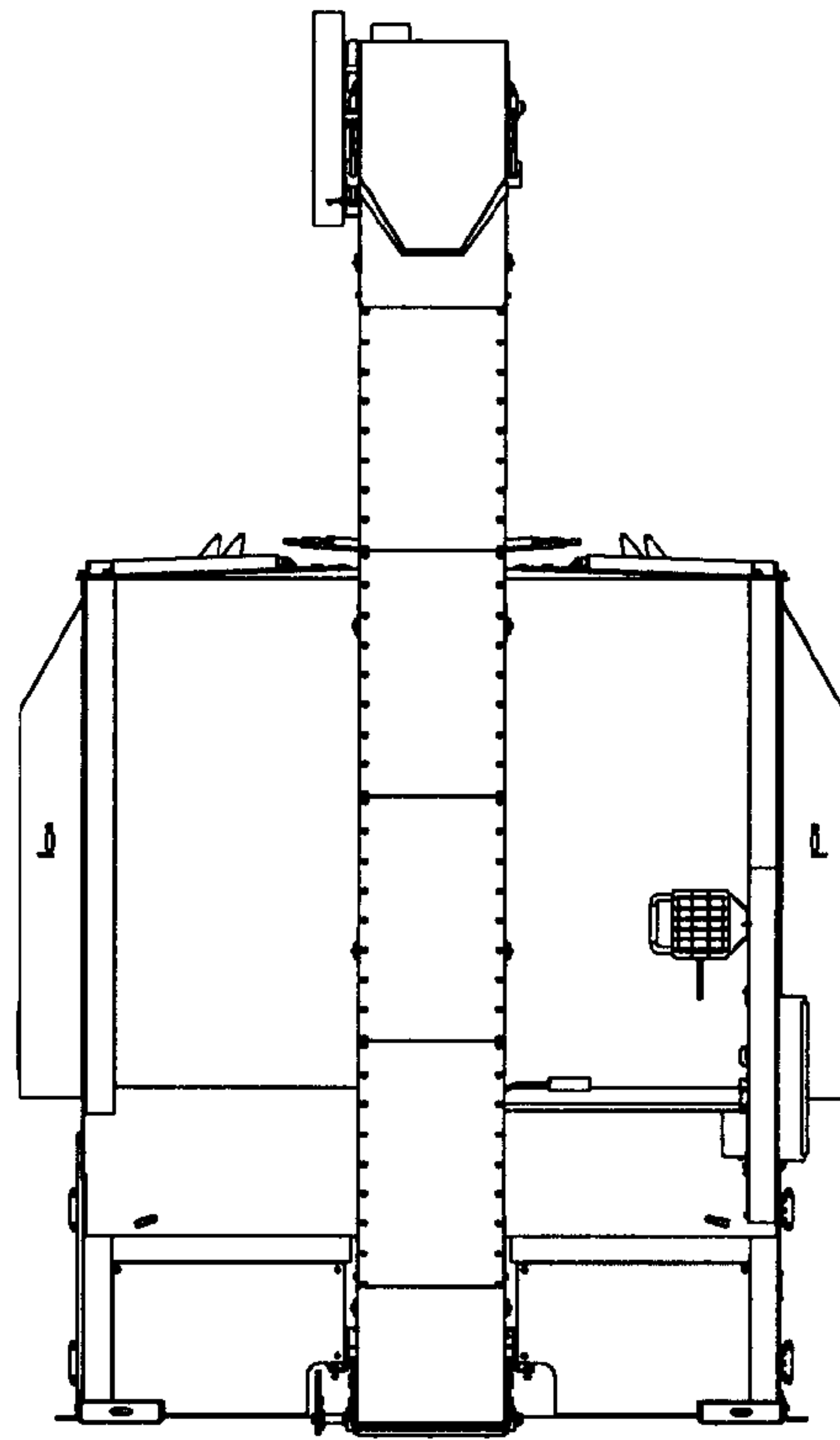


Fig. 6

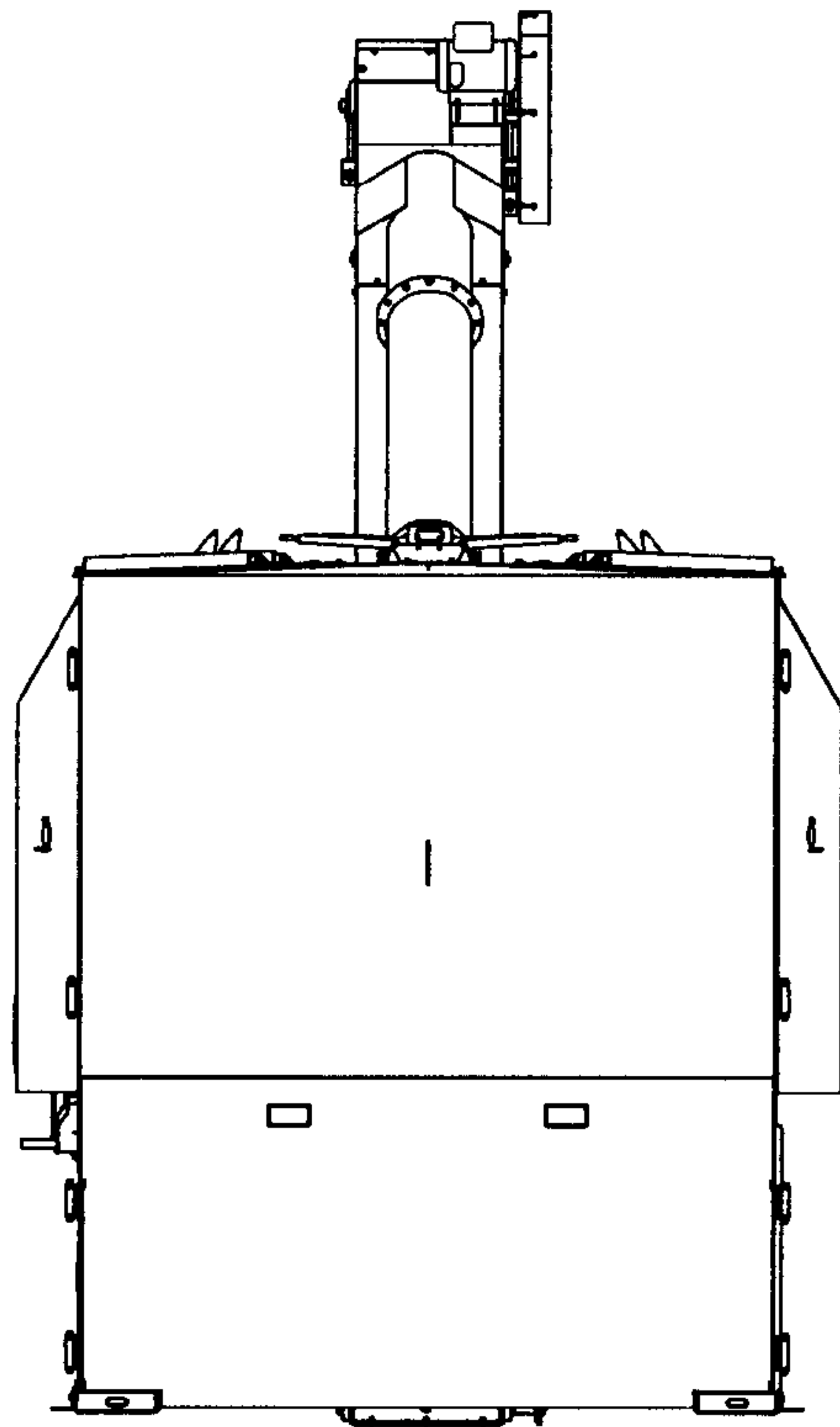


Fig. 7

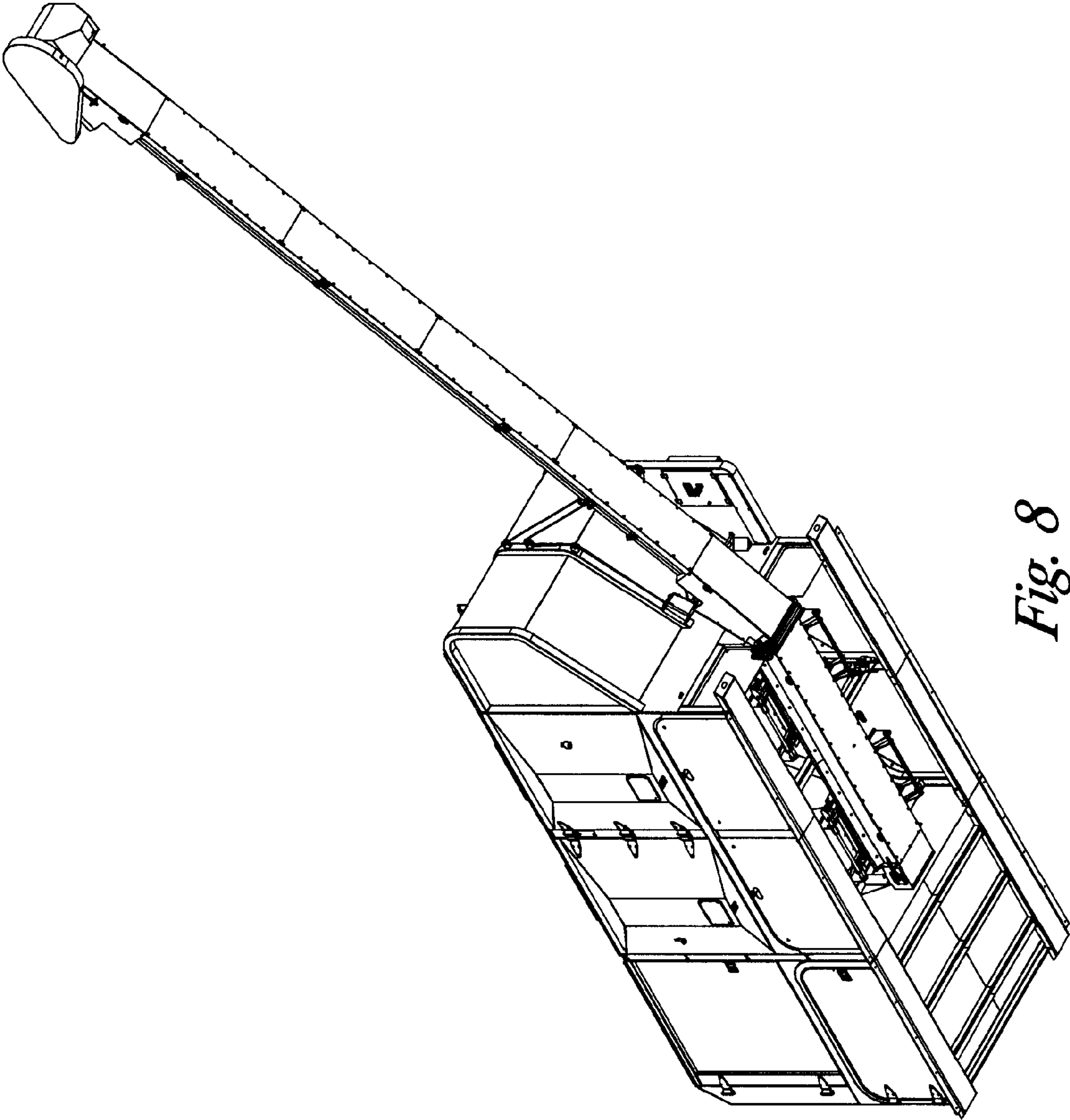


Fig. 8

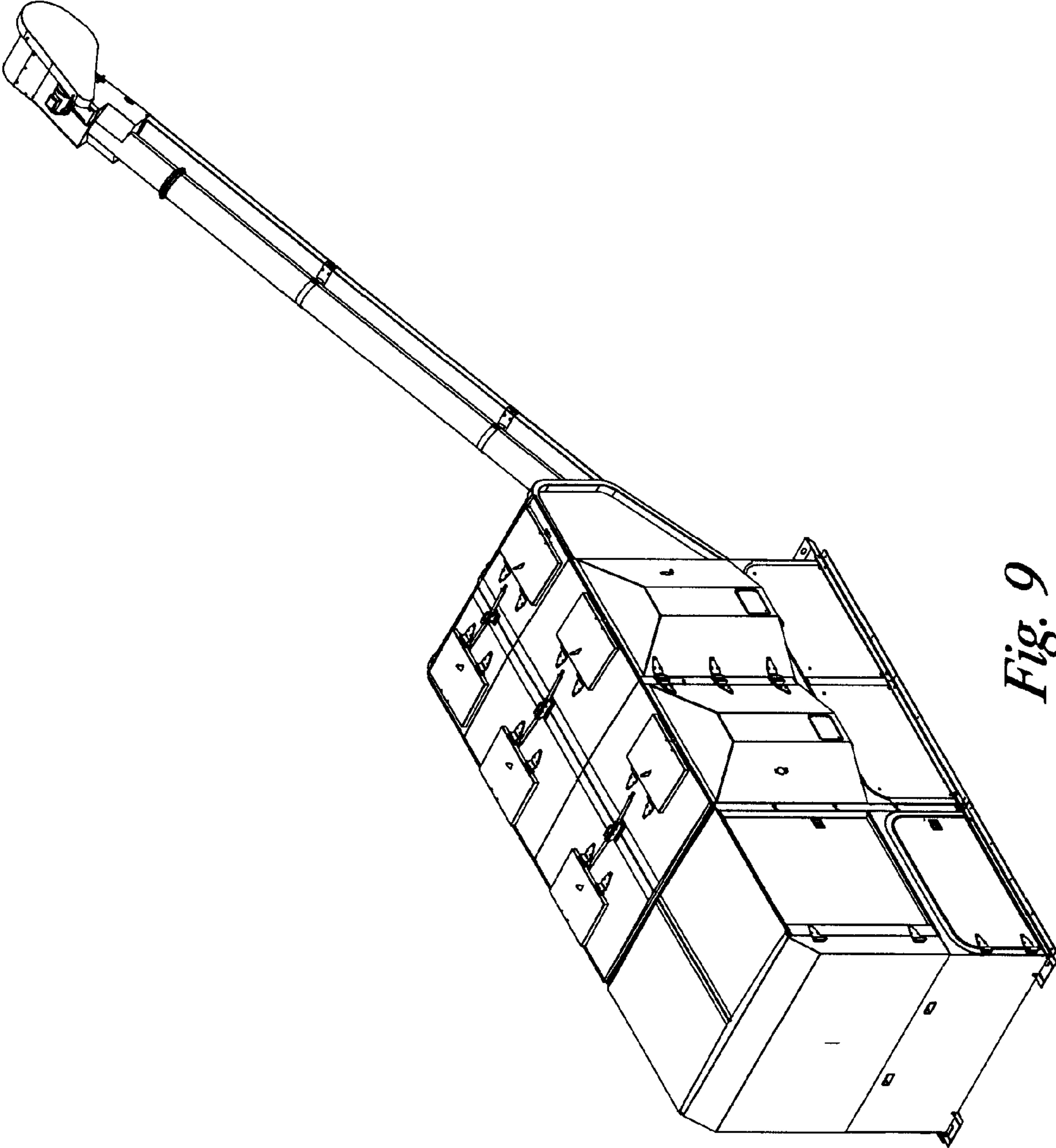


Fig. 9