



US00D549752S

(12) **United States Design Patent**
Apotheloz

(10) **Patent No.:** **US D549,752 S**

(45) **Date of Patent:** **** Aug. 28, 2007**

(54) **UNWINDING DEVICE**

6,283,016 B1 * 9/2001 Cotteverte et al. 99/450.2
6,536,706 B1 * 3/2003 St. Germain et al. 242/559.1

(75) Inventor: **Christophe Apotheloz**, Gockhausen
(CH)

* cited by examiner

(73) Assignee: **Uster Technologies AG**, Uster (CH)

Primary Examiner—Antoine D. Davis
Assistant Examiner—Patricia Palasik

(**) Term: **14 Years**

(74) *Attorney, Agent, or Firm*—Buchanan Ingersoll &
Rooney PC

(21) Appl. No.: **29/266,047**

(22) Filed: **Sep. 14, 2006**

(57) **CLAIM**

(30) **Foreign Application Priority Data**

Mar. 16, 2006 (CH) 132634

The ornamental design for an “unwinding device”, as shown
and described.

(51) **LOC (8) Cl.** **15-09**

(52) **U.S. Cl.** **D15/145**

(58) **Field of Classification Search** D15/145,
D15/199; 242/58.1, 550, 555.3, 555.4, 563,
242/564.4, 557

See application file for complete search history.

DESCRIPTION

FIG. 1 is a top plan view of an unwinding device incorpo-
rating my design;

FIG. 2 is a front, right side perspective view thereof;

FIG. 3 is a left side view thereof;

FIG. 4 is a front view thereof;

FIG. 5 is a bottom view thereof;

FIG. 6 is a rear, left side perspective view thereof;

FIG. 7 is a right side view thereof; and,

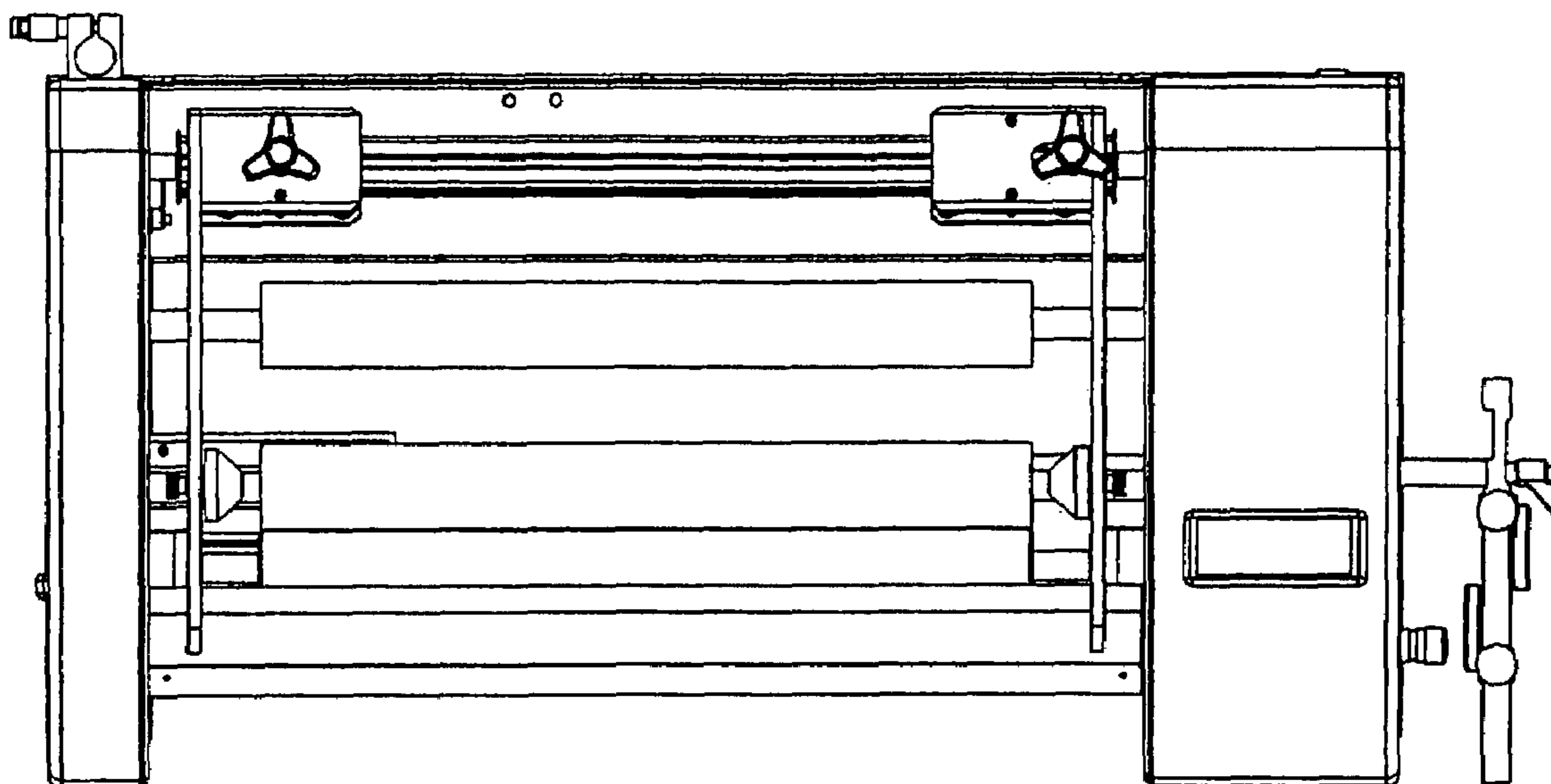
FIG. 8 is a rear view thereof.

(56) **References Cited**

U.S. PATENT DOCUMENTS

2,726,465 A * 12/1955 Jespersen 38/2
4,949,910 A * 8/1990 Kleitz et al. 242/552
D327,487 S * 6/1992 Di Bernardo D15/145
5,134,915 A * 8/1992 Fukano et al. 242/557

1 Claim, 8 Drawing Sheets



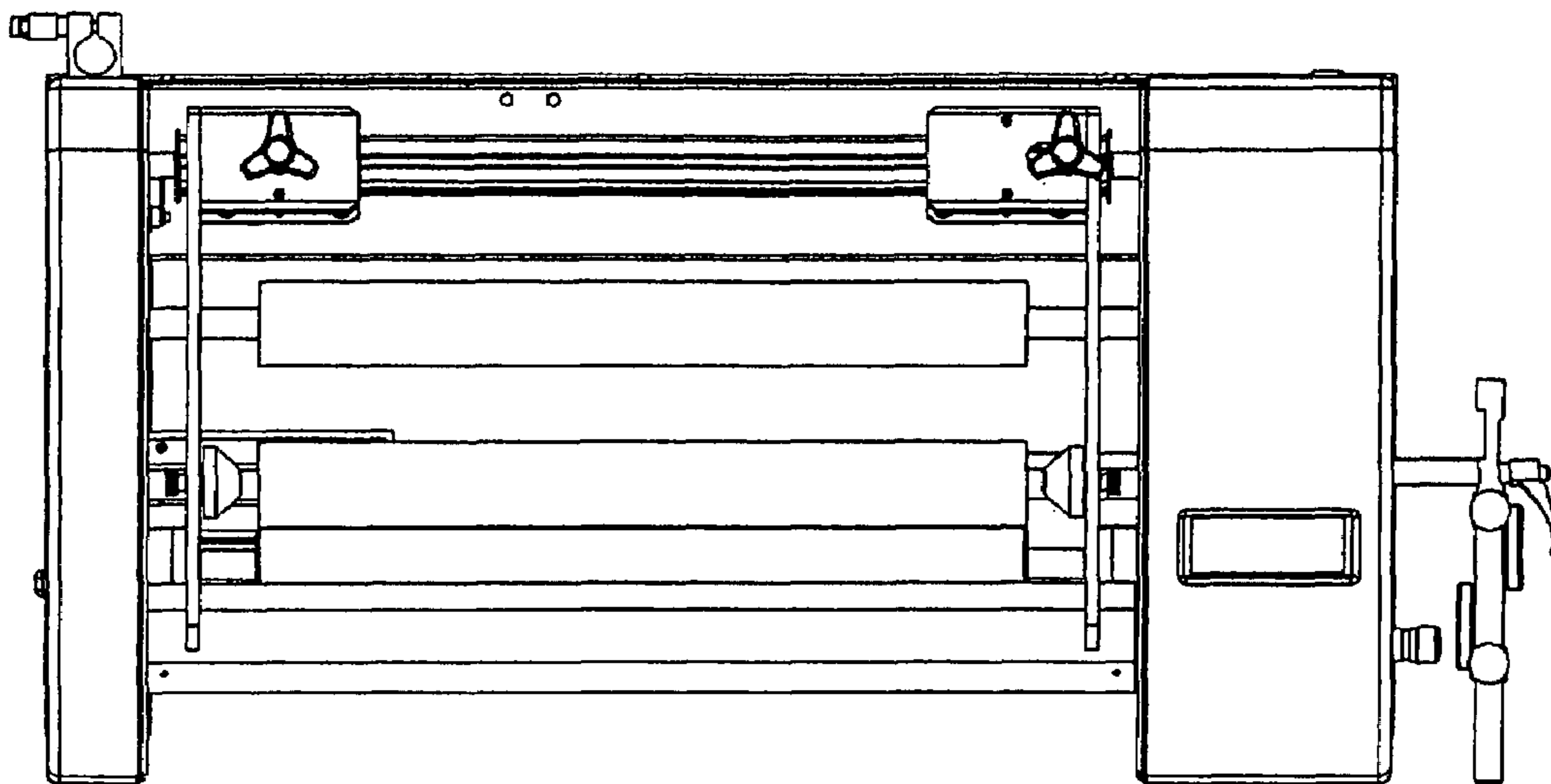


FIG. 1

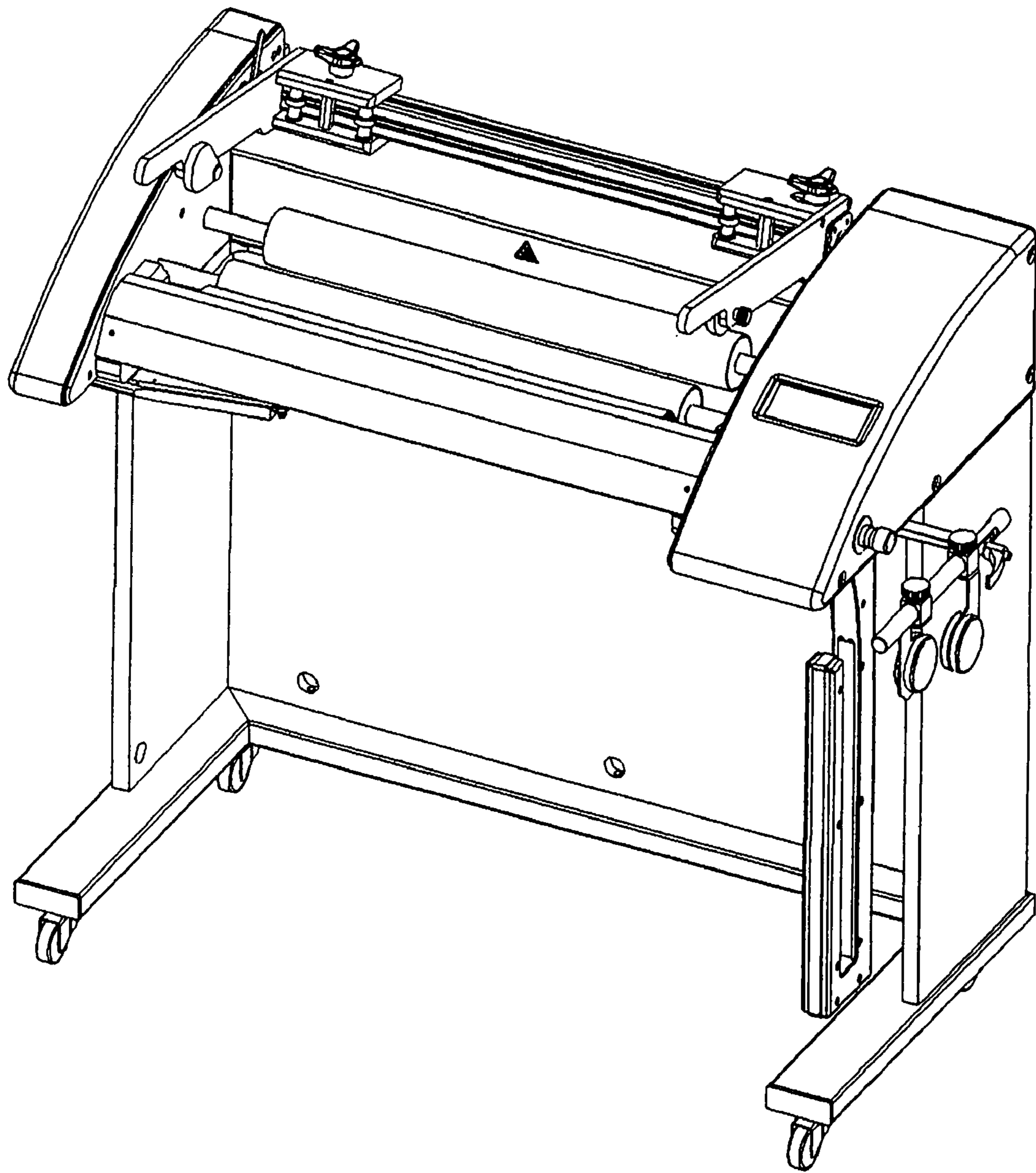


FIG. 2

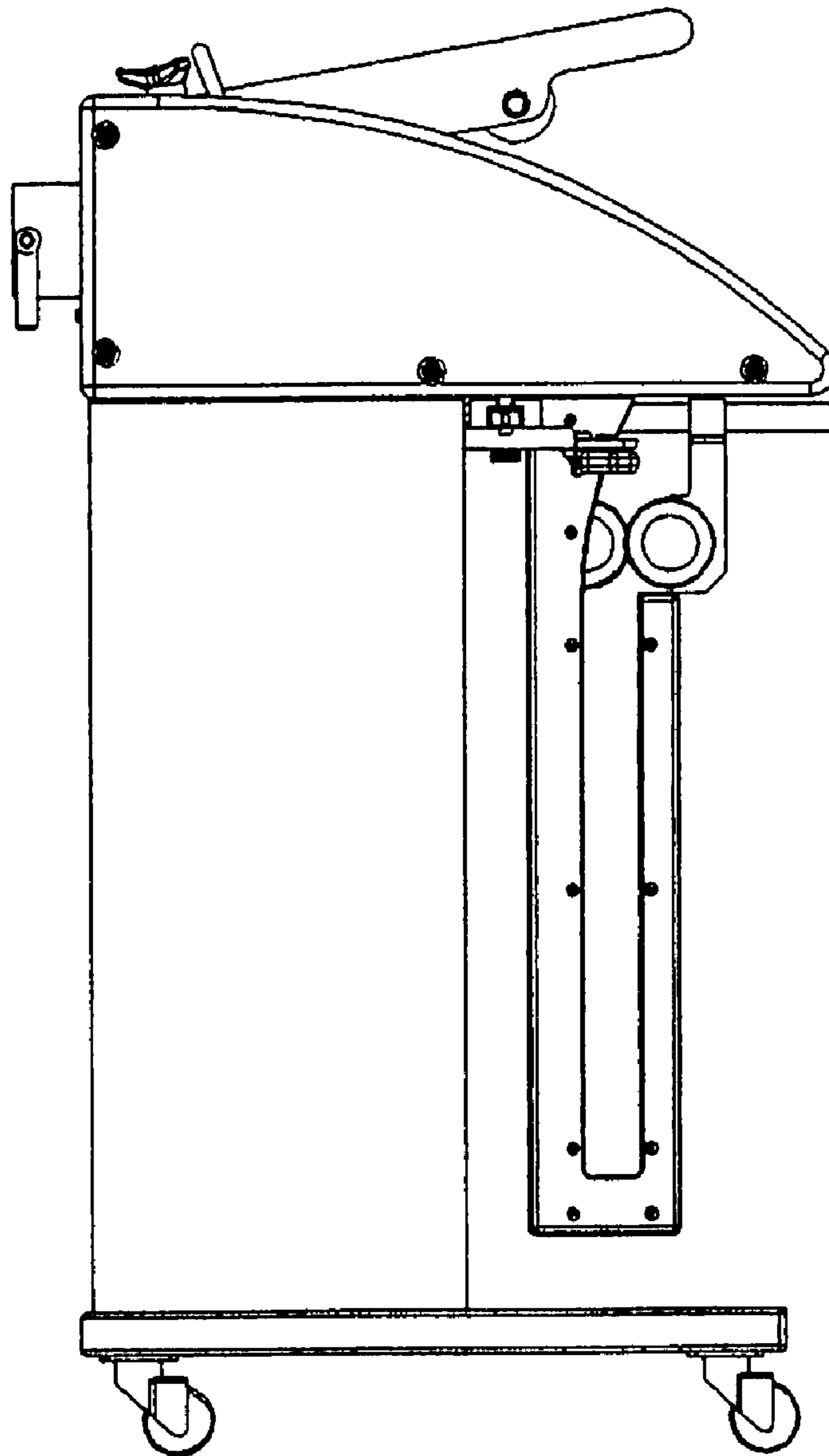


FIG. 3

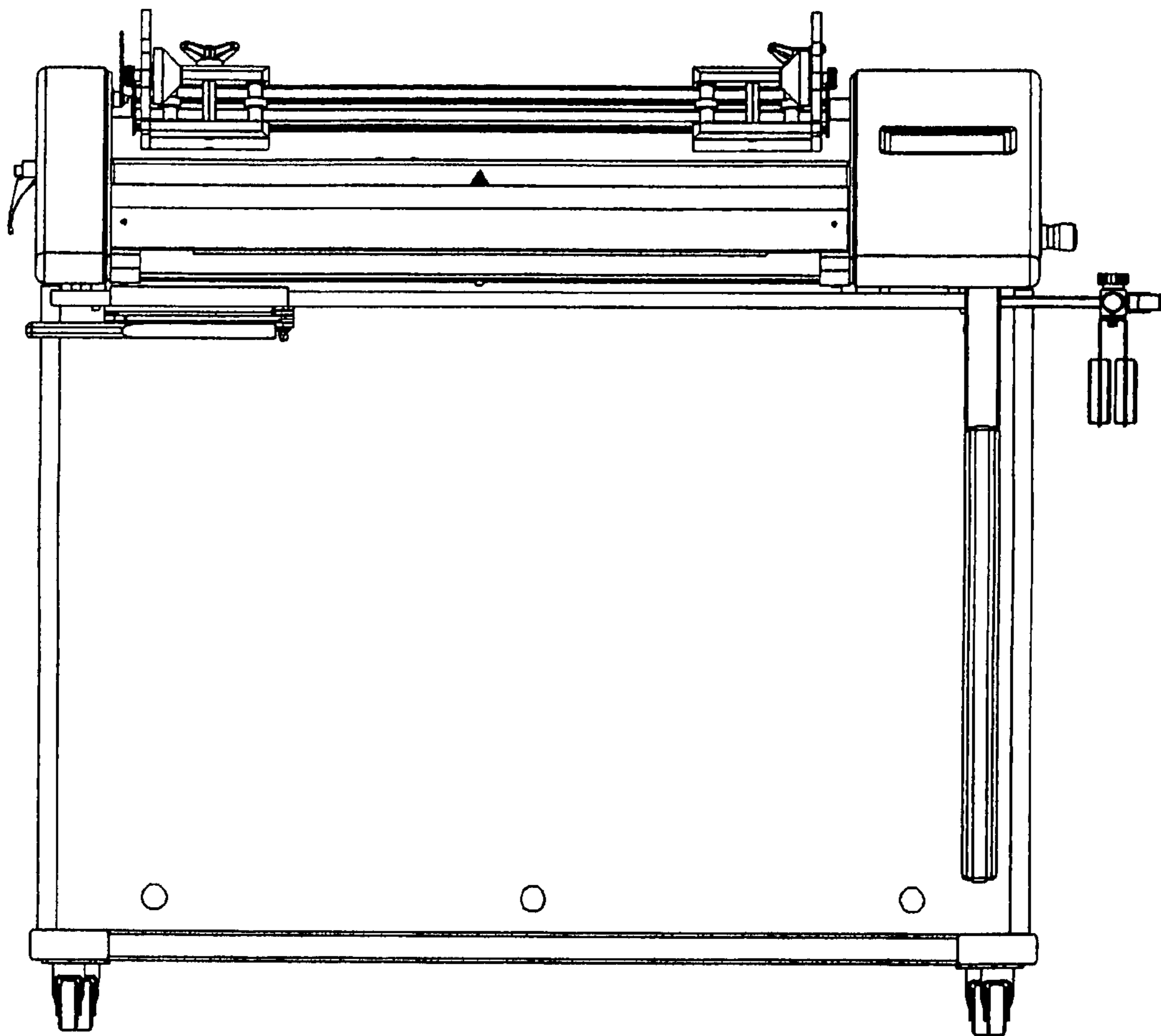


FIG. 4

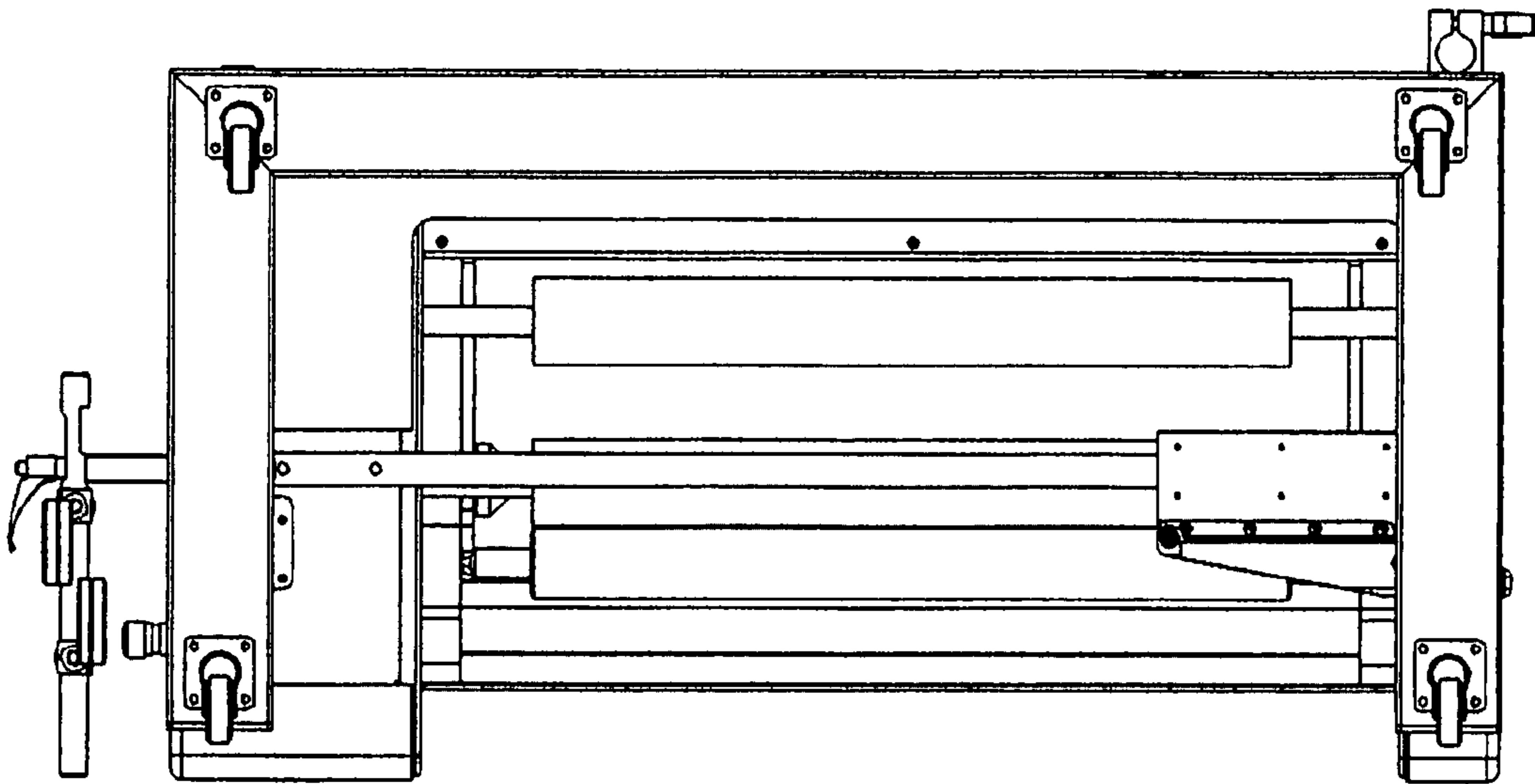


FIG. 5

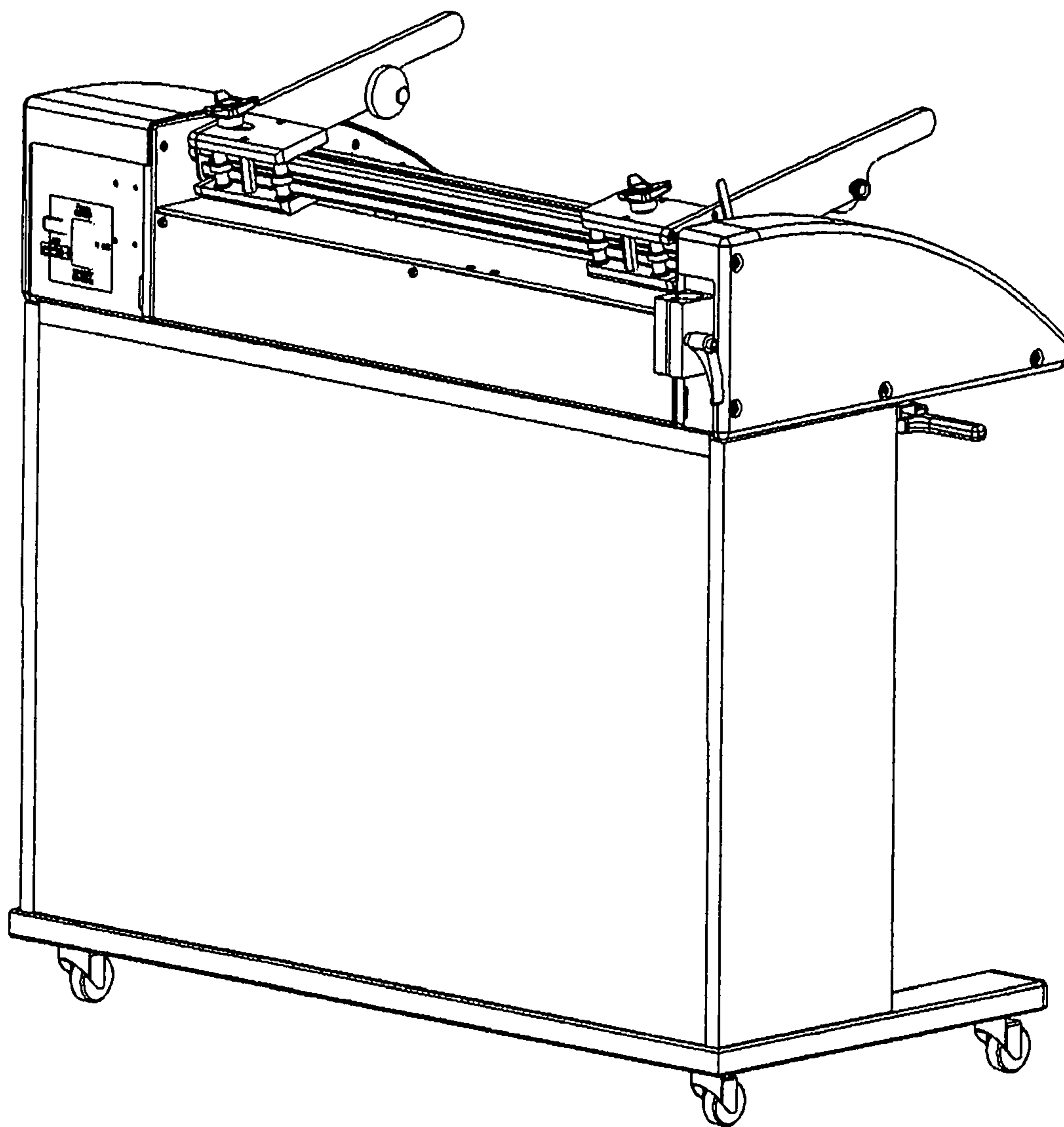


FIG. 6

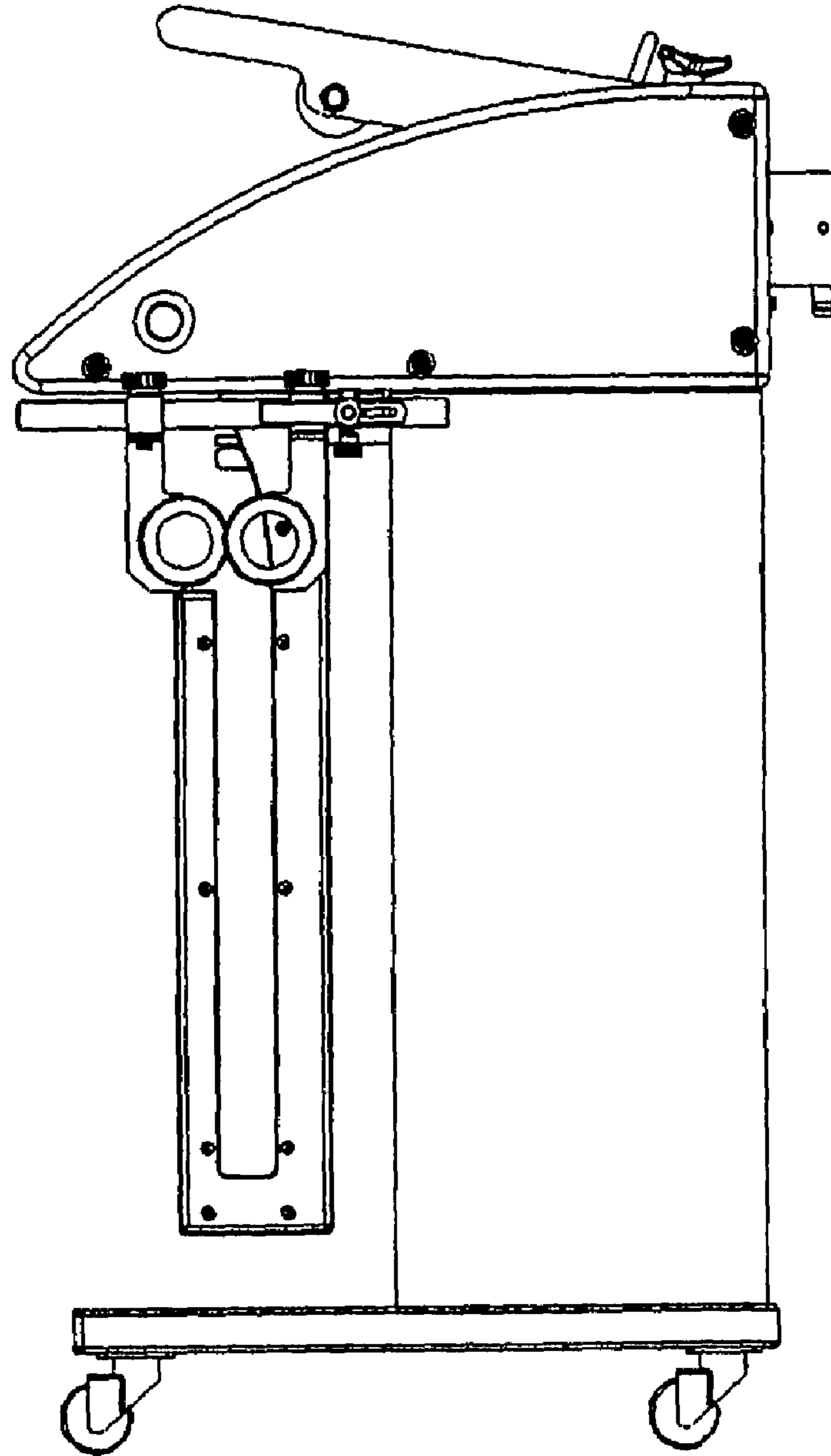


FIG. 7

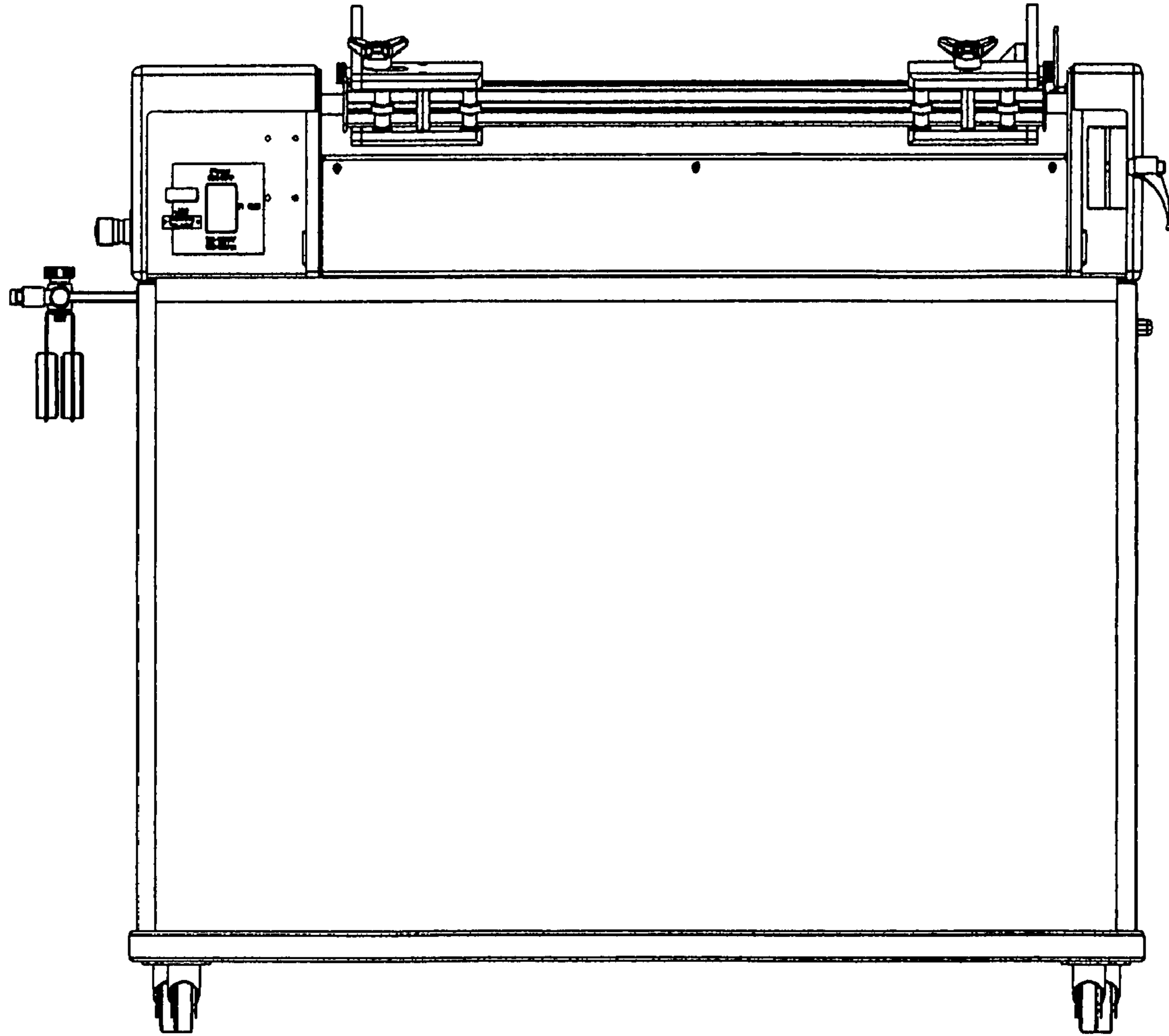


FIG. 8