



US00D549751S

(12) **United States Design Patent**
Salomaa et al.

(10) **Patent No.:** **US D549,751 S**

(45) **Date of Patent:** **** Aug. 28, 2007**

(54) **BEARING UNIT FOR A PUMP**

(75) Inventors: **Timo Salomaa**, Mantta (FI); **Antti Siltavuori**, Fiskars (FI); **Hannu Hjerpe**, Fiskars (FI)

(73) Assignee: **Sulzer Pumpen AG**, Winterthur (CH)

(**) Term: **14 Years**

(21) Appl. No.: **29/269,485**

(22) Filed: **Nov. 29, 2006**

(30) **Foreign Application Priority Data**

Jun. 1, 2006 (EM) 000543673

(51) **LOC (8) Cl.** **15-09**

(52) **U.S. Cl.** **D15/143**

(58) **Field of Classification Search** D15/7-9,
D15/143; 384/412, 428, 447, 537
See application file for complete search history.

(56) **References Cited**

U.S. PATENT DOCUMENTS

D196,761 S * 10/1963 Rollitt D15/7
D202,145 S * 8/1965 Schroeder D15/7
D286,292 S * 10/1986 Kingston D15/9
4,650,398 A * 3/1987 Brandenstein et al. ... 415/170.1

D349,710 S * 8/1994 Moro D15/7
5,362,158 A * 11/1994 Hashimoto et al. 384/447
D418,847 S * 1/2000 Ichihara D15/143
D447,148 S * 8/2001 Antony et al. D15/7
D538,824 S * 3/2007 Tojo D15/7

* cited by examiner

Primary Examiner—Antoine D. Davis

Assistant Examiner—Patricia Palasik

(74) *Attorney, Agent, or Firm*—Townsend and Townsend and Crew LLP

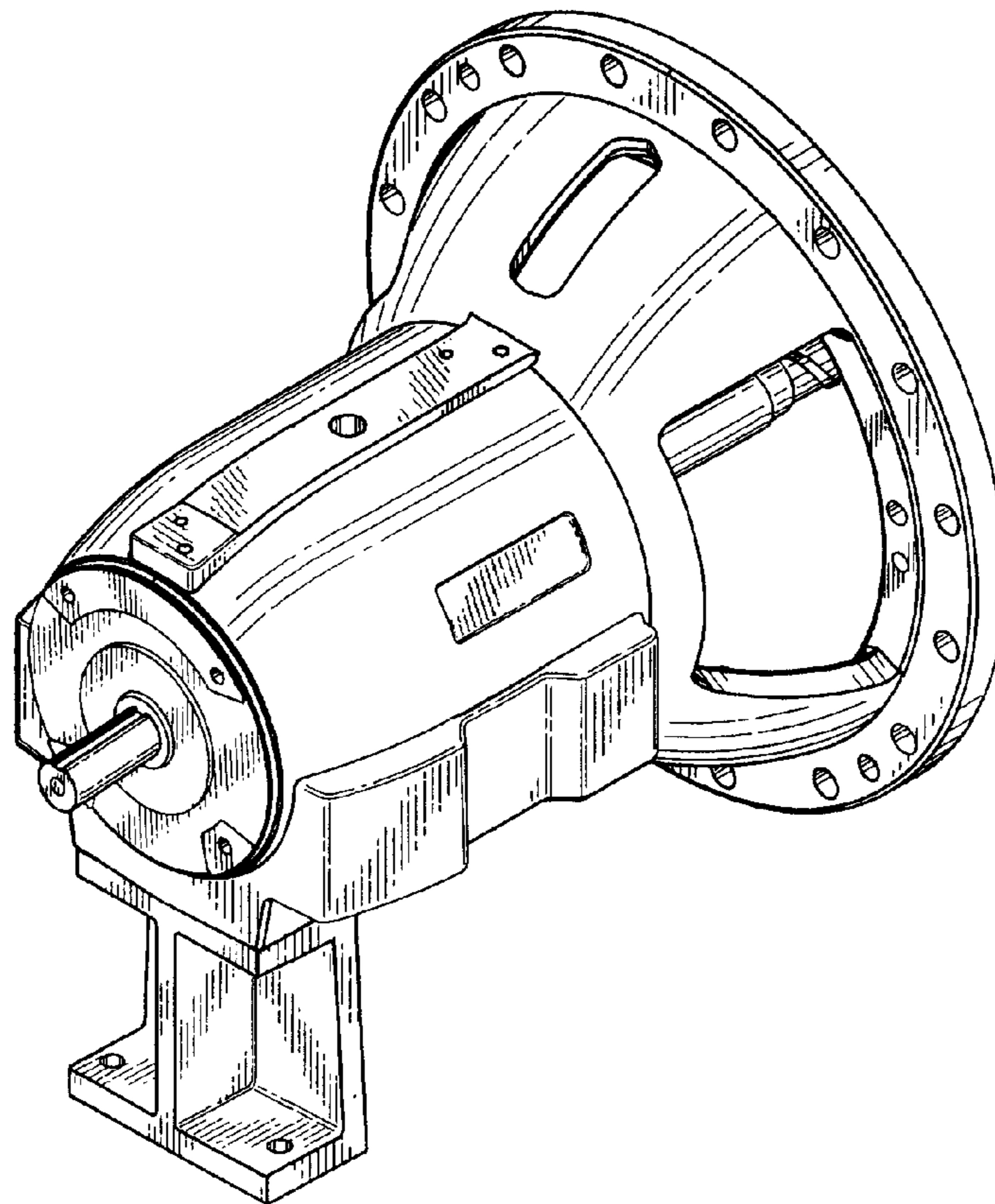
(57) **CLAIM**

The ornamental design for a bearing unit for a pump, as shown and described.

DESCRIPTION

FIG. 1 is a side perspective view of the design;
FIG. 2 is a first side elevational view thereof;
FIG. 3 is an opposite side elevational view thereof;
FIG. 4 is a rear elevational view thereof;
FIG. 5 is a front elevational view thereof;
FIG. 6 is a plan view thereof; and,
FIG. 7 is an underneath view thereof.

1 Claim, 4 Drawing Sheets



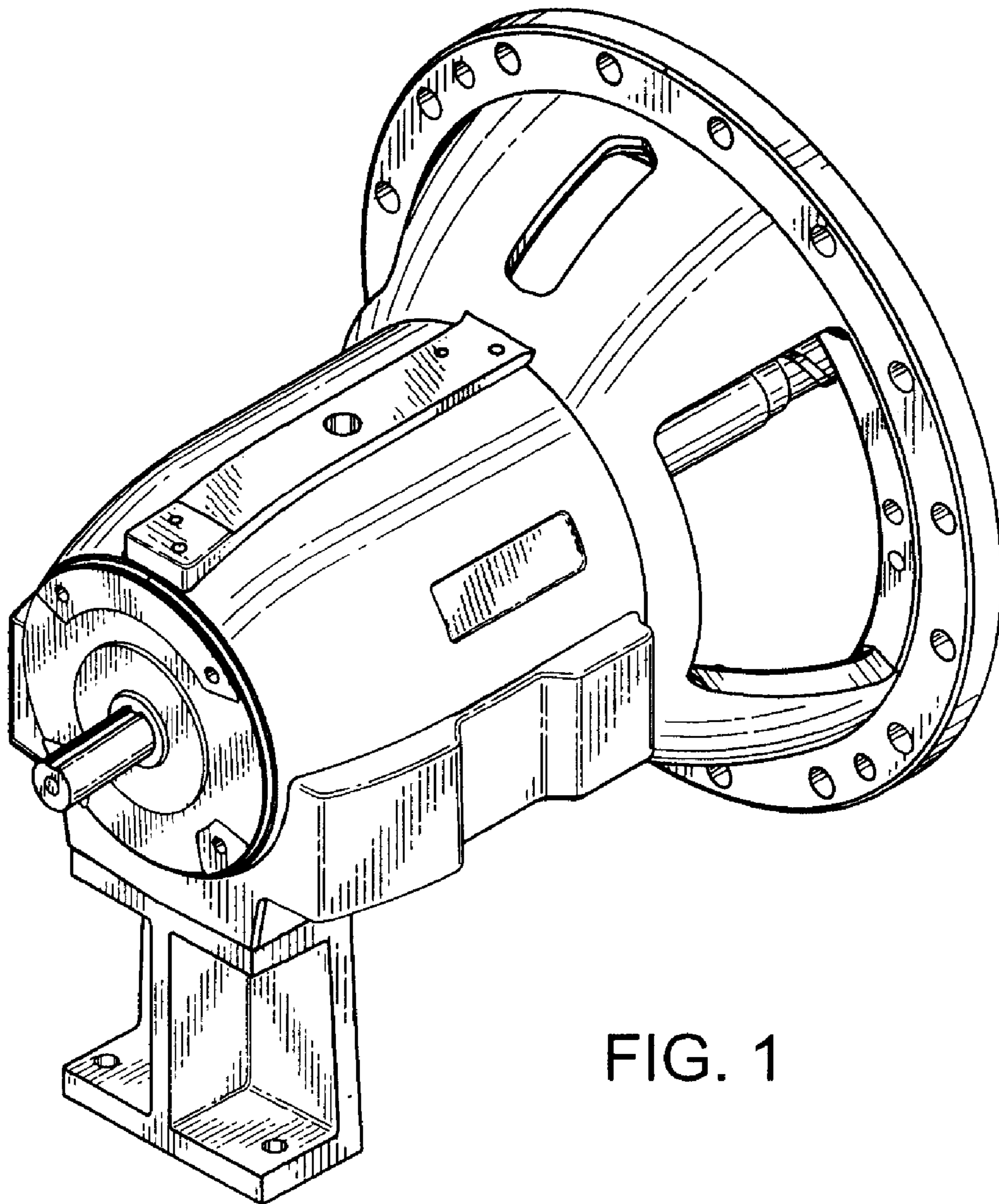


FIG. 1

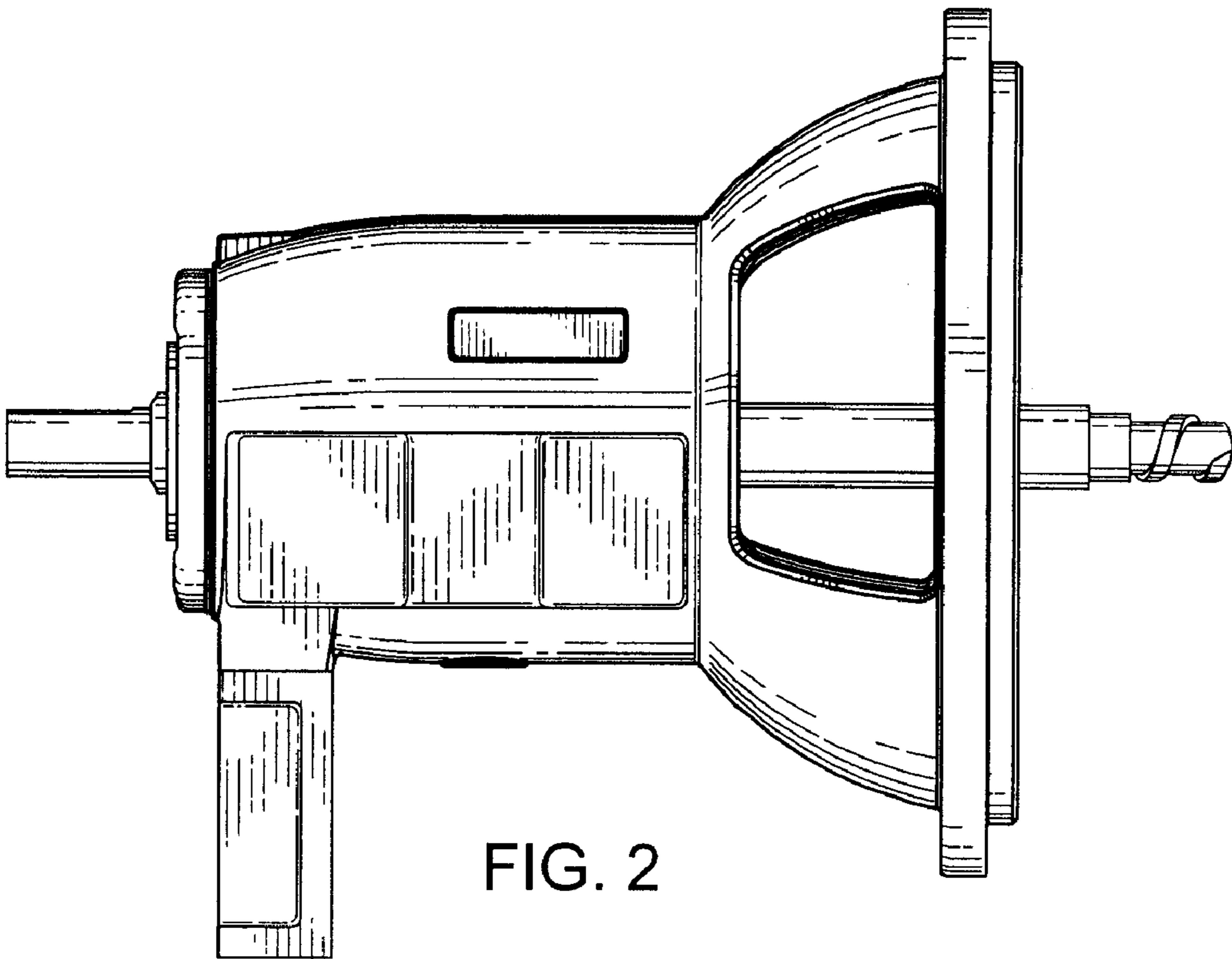


FIG. 2

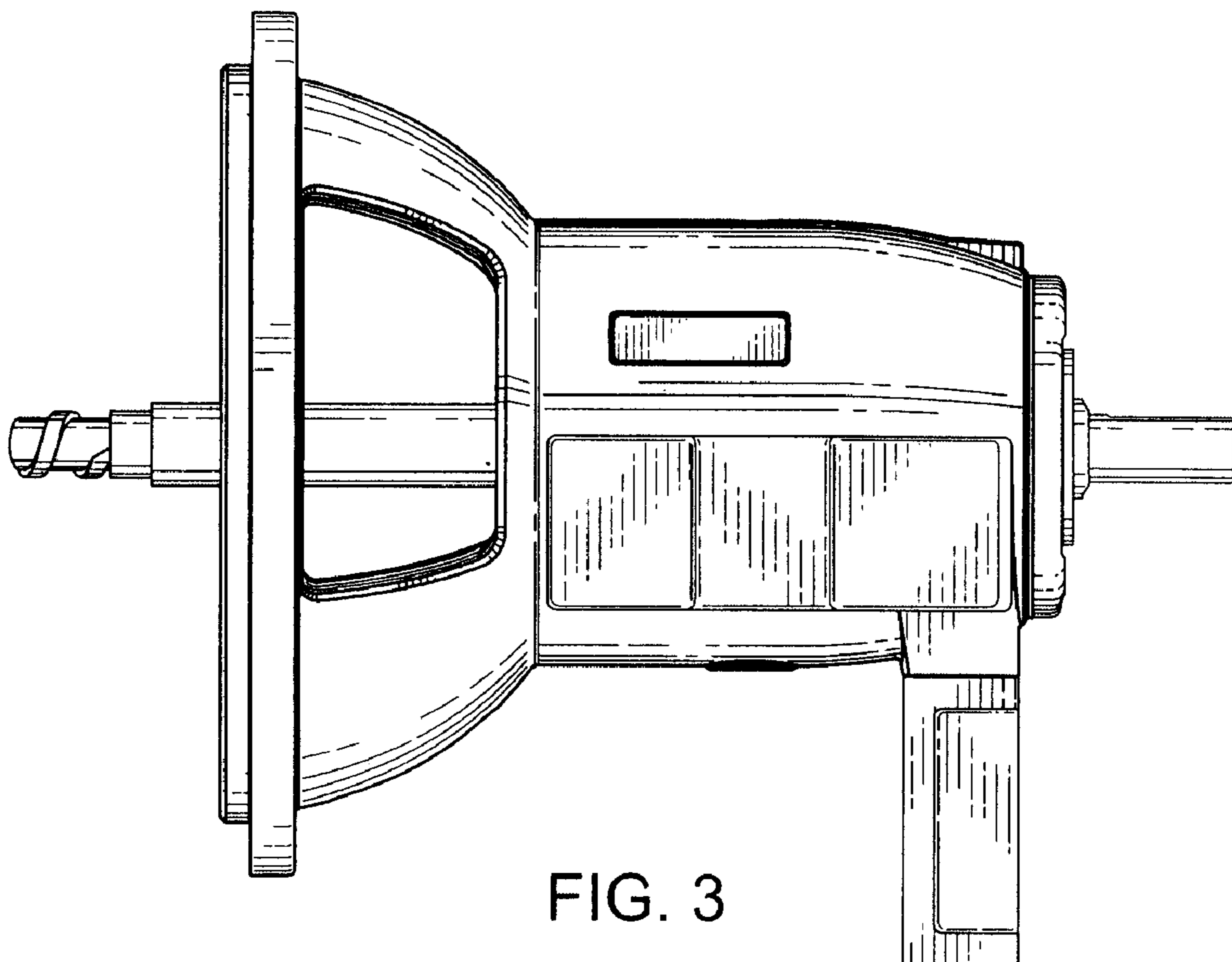


FIG. 3

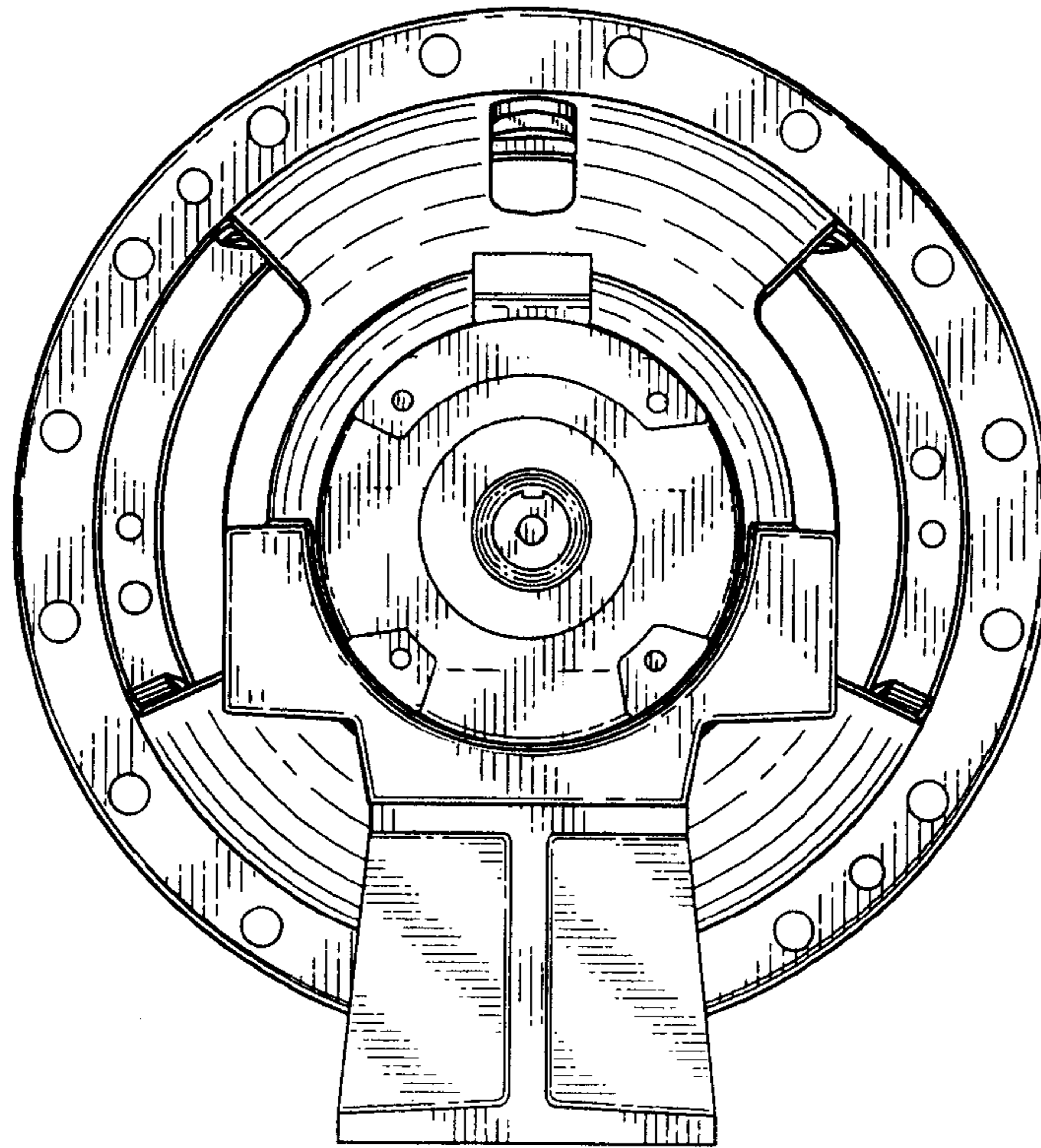


FIG. 4

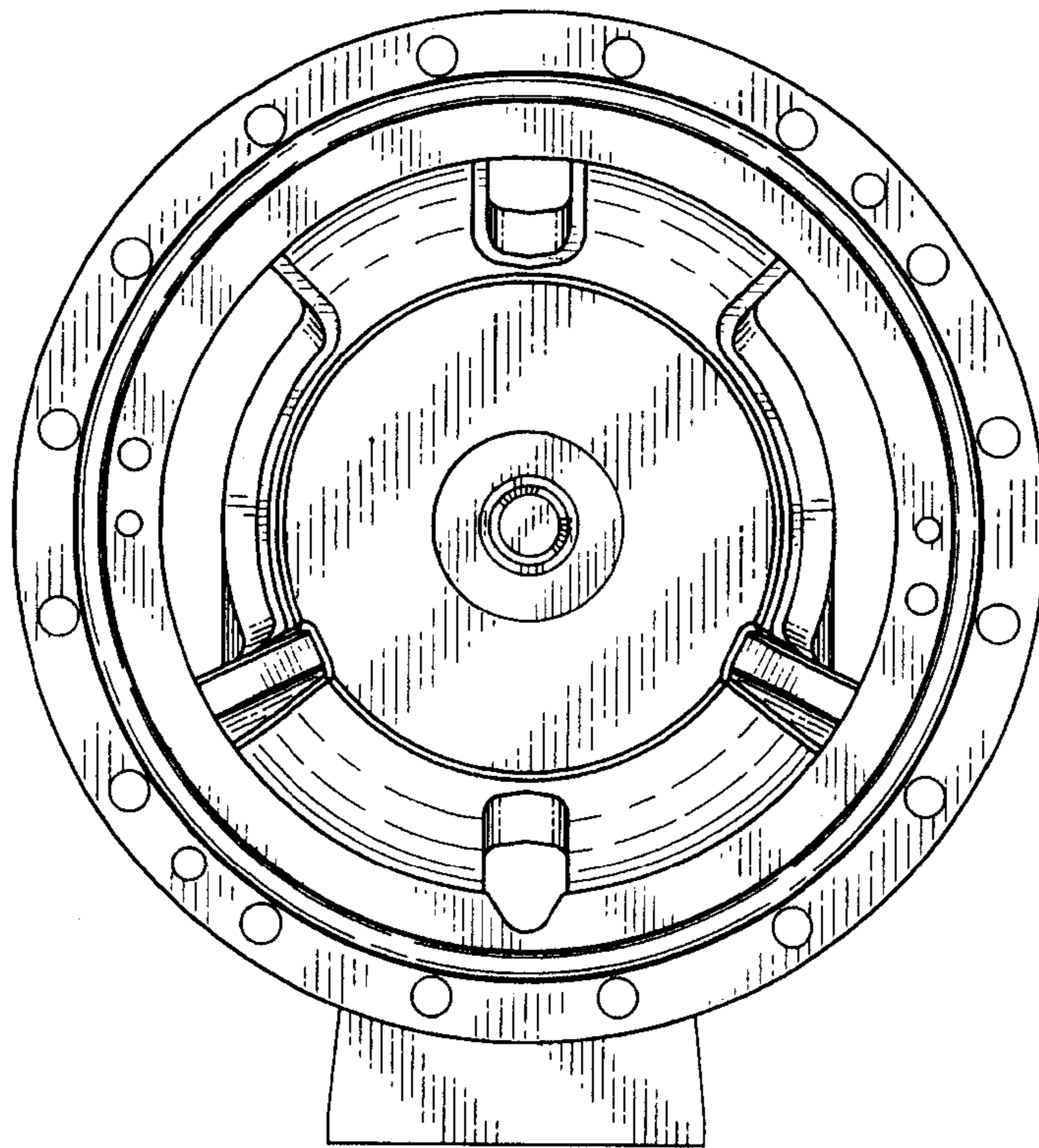


FIG. 5

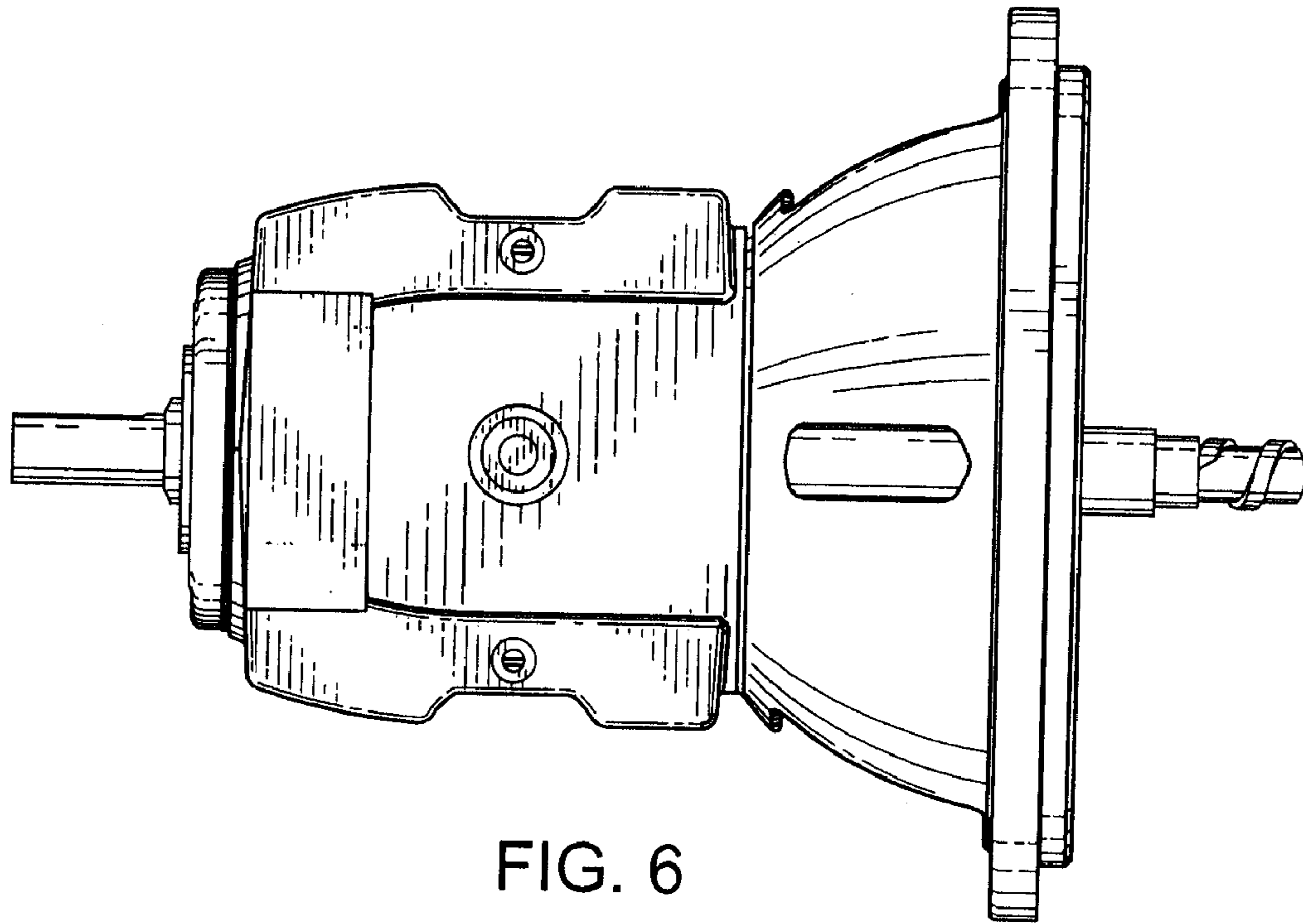


FIG. 6

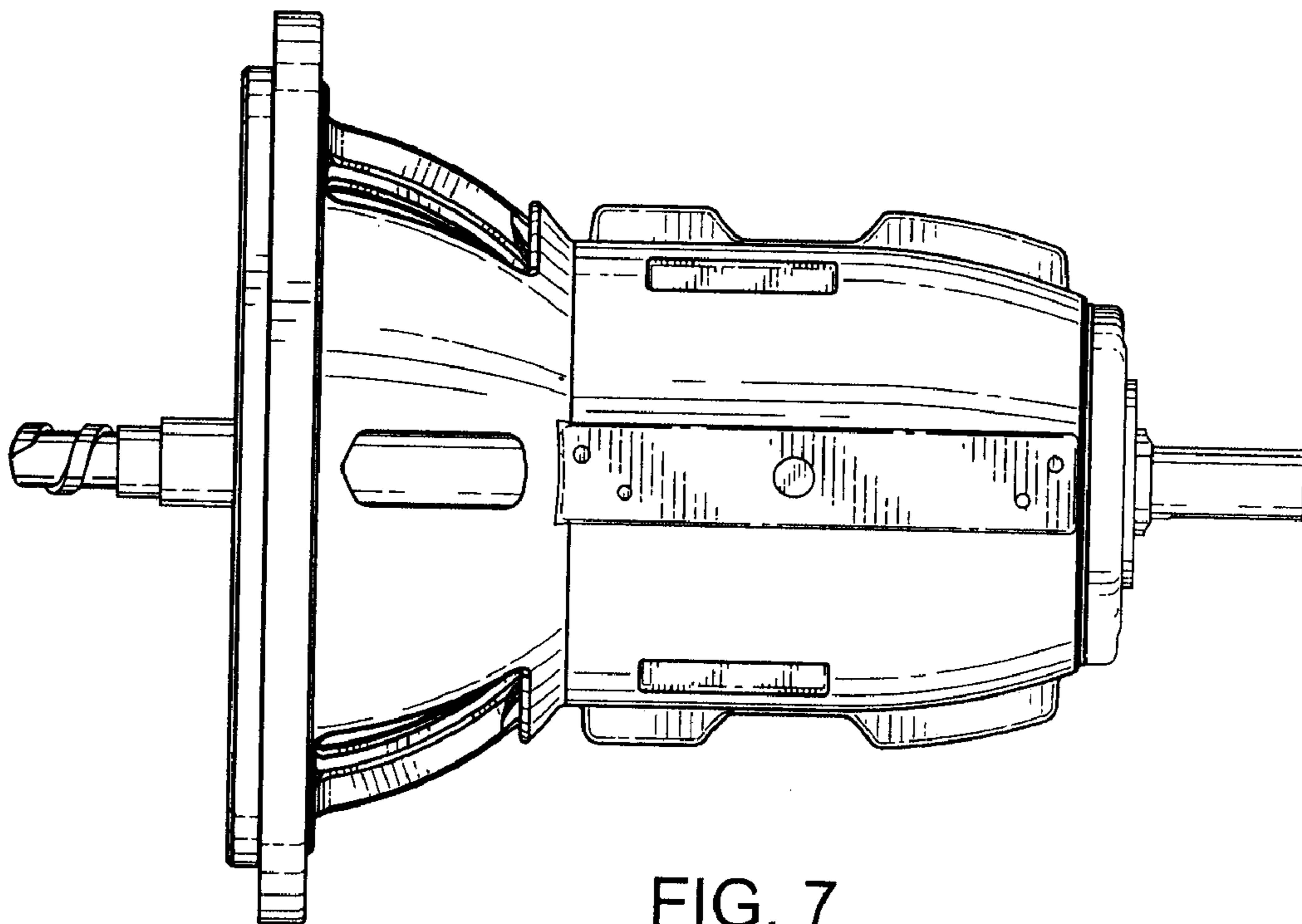


FIG. 7