



US00D549750S

(12) **United States Design Patent** (10) **Patent No.:** **US D549,750 S**  
**Sim** (45) **Date of Patent:** **\*\* Aug. 28, 2007**

- (54) **BALL BEARING SWIVEL** 5,749,812 A \* 5/1998 Feciura et al. .... 482/82
- (75) Inventor: **Woo-Kyung Sim**, Paju (KR) 6,357,954 B1 \* 3/2002 Timoney ..... 403/78
- (73) Assignee: **Centro Corporation**, Koyang, 6,461,071 B1 \* 10/2002 Kanemura ..... 403/78  
Kyungki-Do (KR) 6,491,329 B1 \* 12/2002 Smith ..... 403/165
- (\*\*) Term: **14 Years** 2004/0018042 A1 \* 1/2004 Smith ..... 403/78  
2007/0031183 A1 \* 2/2007 Sim ..... 403/78
- (21) Appl. No.: **29/256,522**
- (22) Filed: **Mar. 21, 2006**

\* cited by examiner

*Primary Examiner*—Antoine D. Davis  
*Assistant Examiner*—Patricia Palasik  
(74) *Attorney, Agent, or Firm*—Sheridan Ross P.C.

**Related U.S. Application Data**

- (63) Continuation-in-part of application No. 29/243,117, filed on Nov. 18, 2005.
- (51) **LOC (8) Cl.** ..... **15-09**
- (52) **U.S. Cl.** ..... **D15/143**
- (58) **Field of Classification Search** ..... D8/355,  
D8/367; D15/143; 174/185; 277/29, 351,  
277/423, 549; 403/60, 78, 82, 164, 165  
See application file for complete search history.

**References Cited**

**U.S. PATENT DOCUMENTS**

- 3,307,888 A \* 3/1967 Dumpis ..... 403/164
- 4,552,481 A \* 11/1985 Bluett ..... 403/165
- 5,028,117 A \* 7/1991 Muhlenkamp-Becker ... 385/117
- D346,423 S \* 4/1994 Kitagawa ..... D8/367

(57) **CLAIM**

The ornamental design for a ball bearing swivel, as shown and described.

**DESCRIPTION**

FIG. 1 is a perspective view of a ball bearing swivel showing my new design;  
FIG. 2 is a front elevational view thereof;  
FIG. 3 is a rear elevational view thereof;  
FIG. 4 is a left side elevational view thereof;  
FIG. 5 is a right side elevational view thereof;  
FIG. 6 is a top plan view thereof; and,  
FIG. 7 is a bottom plan view thereof.

**1 Claim, 6 Drawing Sheets**

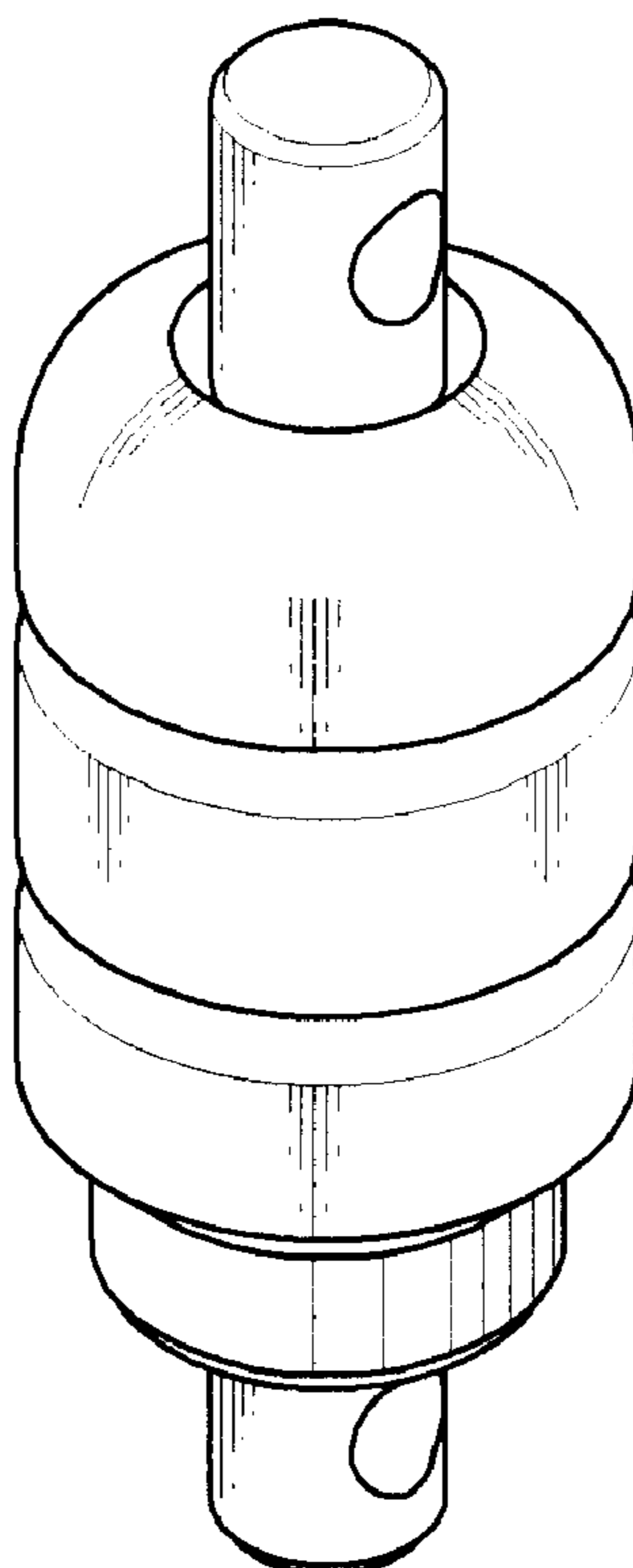


FIG. 1

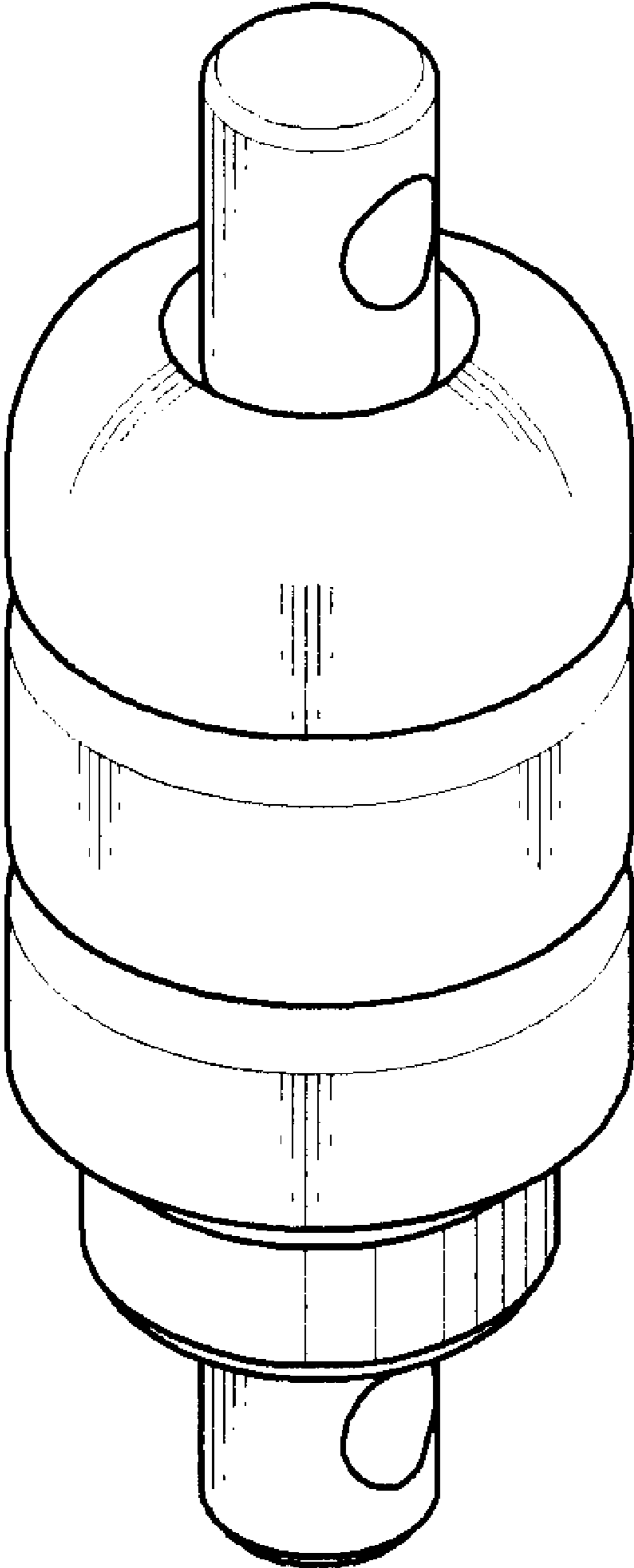


Fig. 2

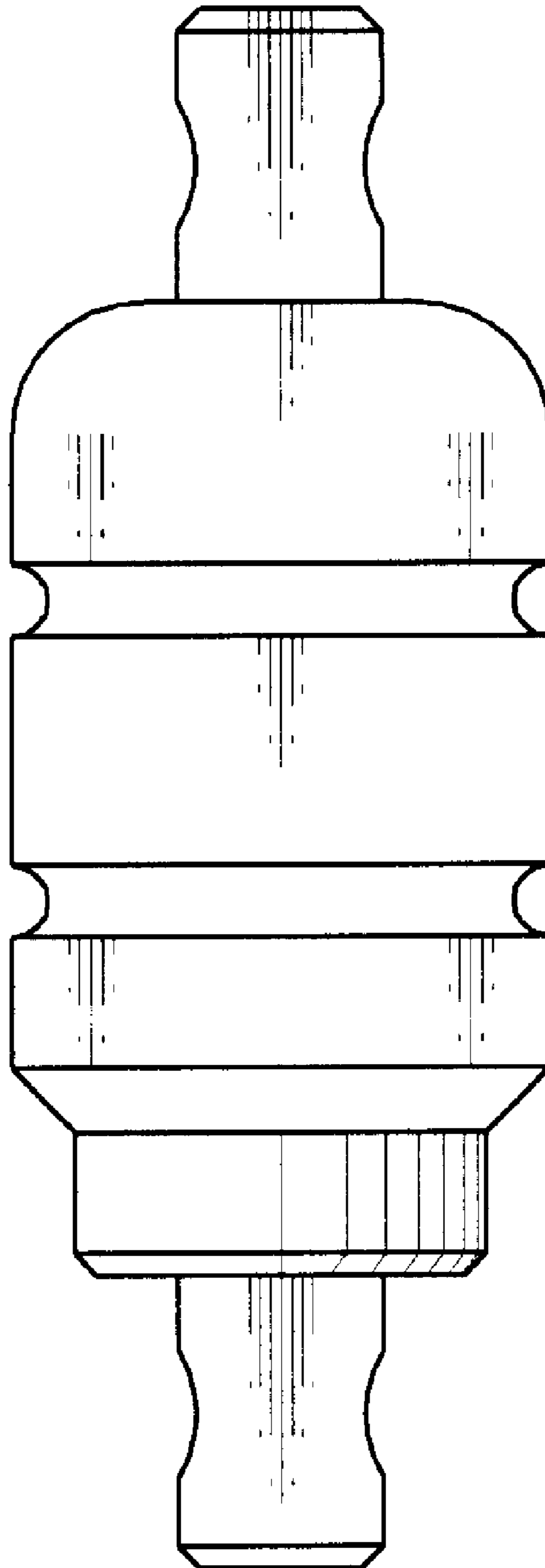


Fig. 3

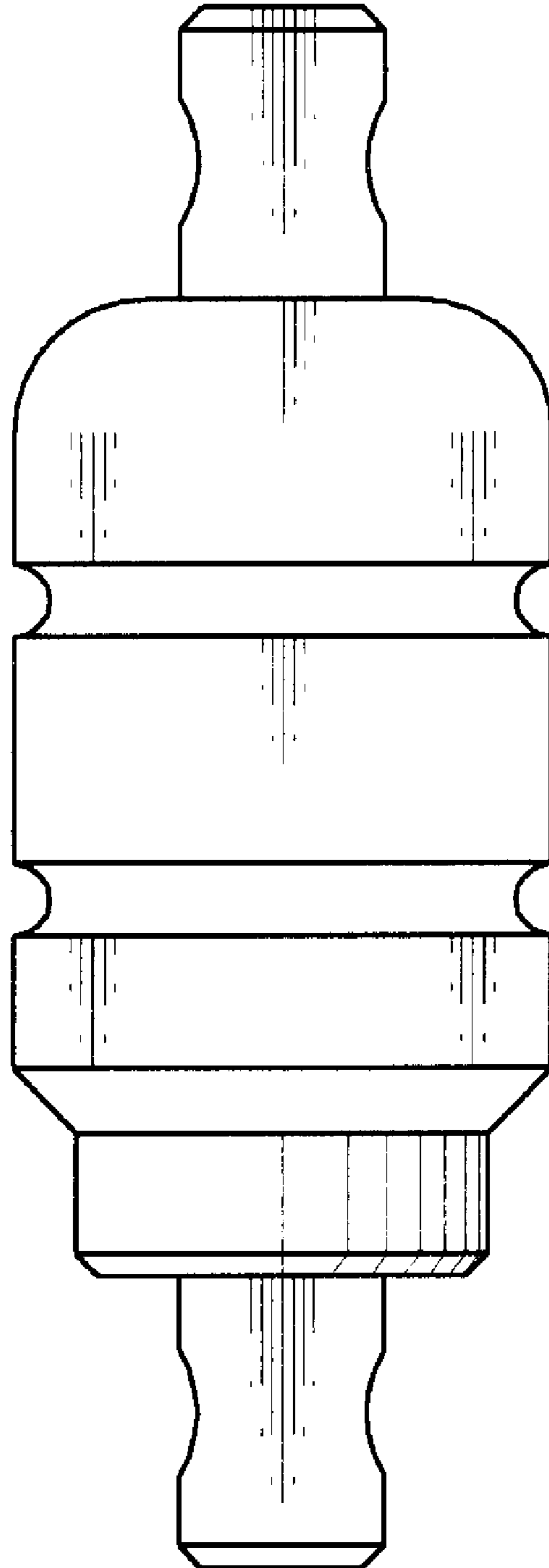


Fig. 4

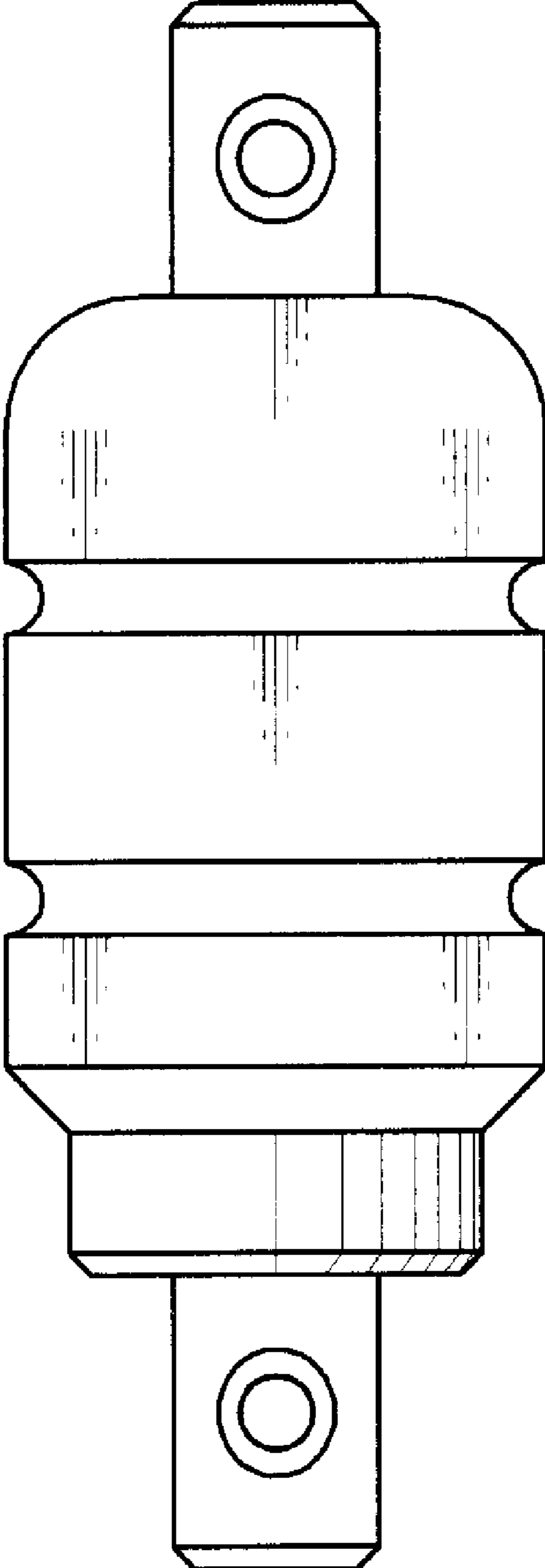


Fig. 5

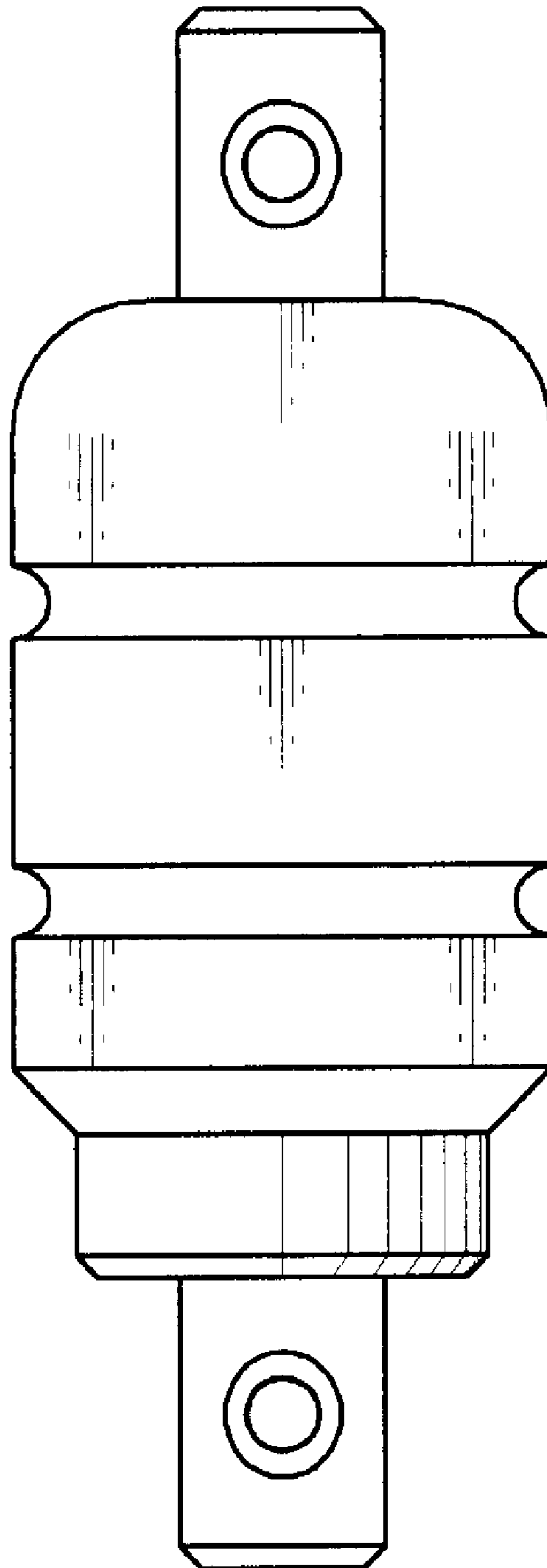


Fig. 6

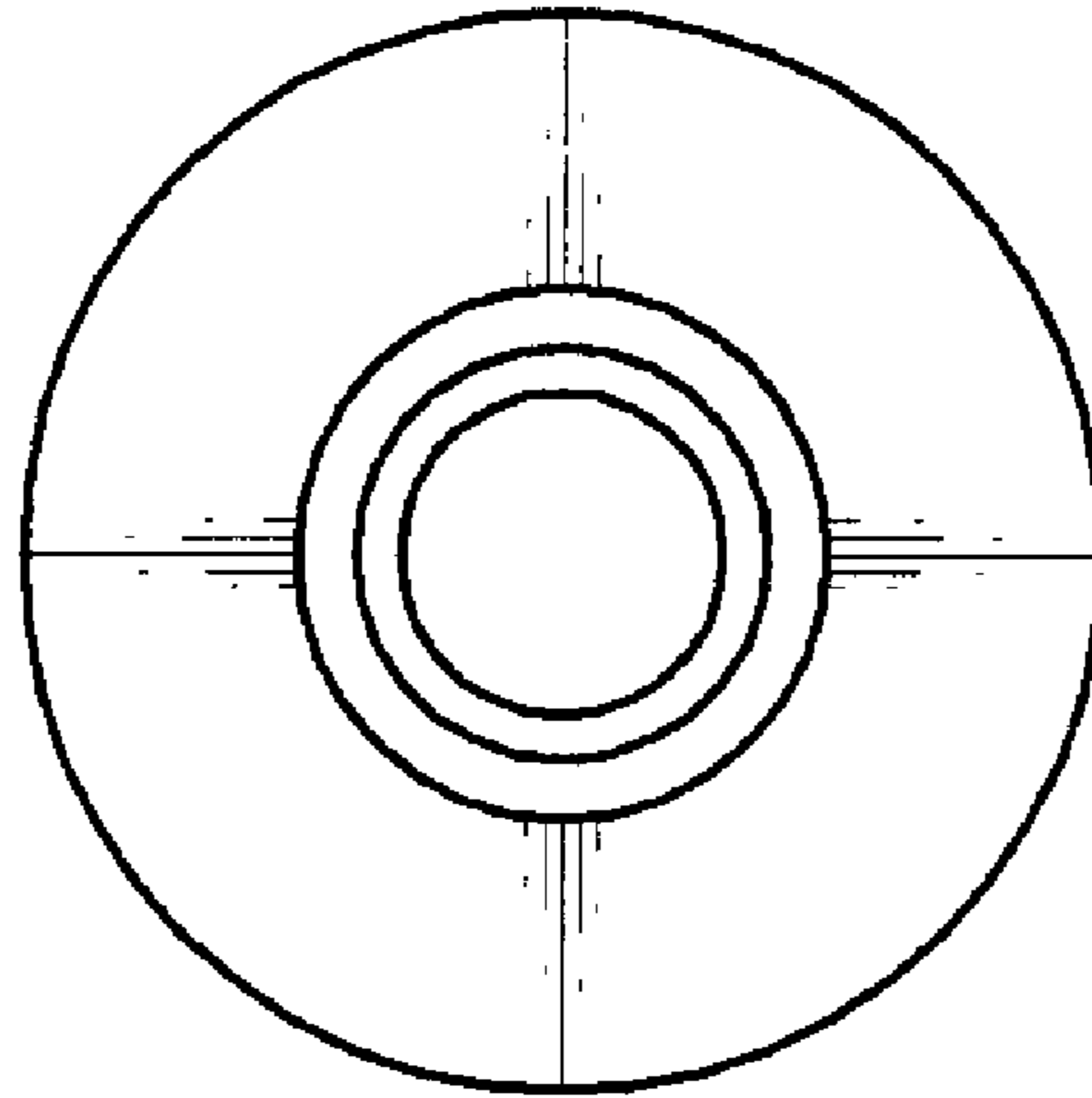


Fig. 7

