



US00D549749S

(12) **United States Design Patent**
Francis et al.

(10) **Patent No.: US D549,749 S**

(45) **Date of Patent: ** Aug. 28, 2007**

(54) **PORTABLE TOOL STAND**

2006/0207685 A1* 9/2006 Welsh et al. 144/286.1

(75) Inventors: **Marc Francis**, Blaxland (AU);
Timothy Hewitt, Pleasant Ridge, MI
(US); **Michael Ursell**, Beverly Hills,
MI (US)

* cited by examiner

Primary Examiner—Antoine D. Davis

Assistant Examiner—Patricia Palasik

(74) *Attorney, Agent, or Firm*—William H. Honaker

(73) Assignee: **HTC Products, Inc.**, Royal Oak, MI
(US)

(57) **CLAIM**

(**) Term: **14 Years**

The ornamental design for a portable tool stand, as shown and described.

(21) Appl. No.: **29/242,596**

DESCRIPTION

(22) Filed: **Nov. 10, 2005**

FIG. 1 is a perspective view of the portable tool stand of the present invention, with broken lines depicting a bench top tool for illustrative purposes only and which form no part of the claimed design.

(51) **LOC (8) Cl.** **15-09**

(52) **U.S. Cl.** **D15/141**

(58) **Field of Classification Search** D15/133,
D15/134, 140, 141; 83/471.1–471.3, 477.2;
144/285, 286.1–286.5, 287

FIG. 2 is a front elevation view of the portable tool stand of the present invention.

See application file for complete search history.

FIG. 3 is a top view of the portable tool stand of the present invention.

(56) **References Cited**

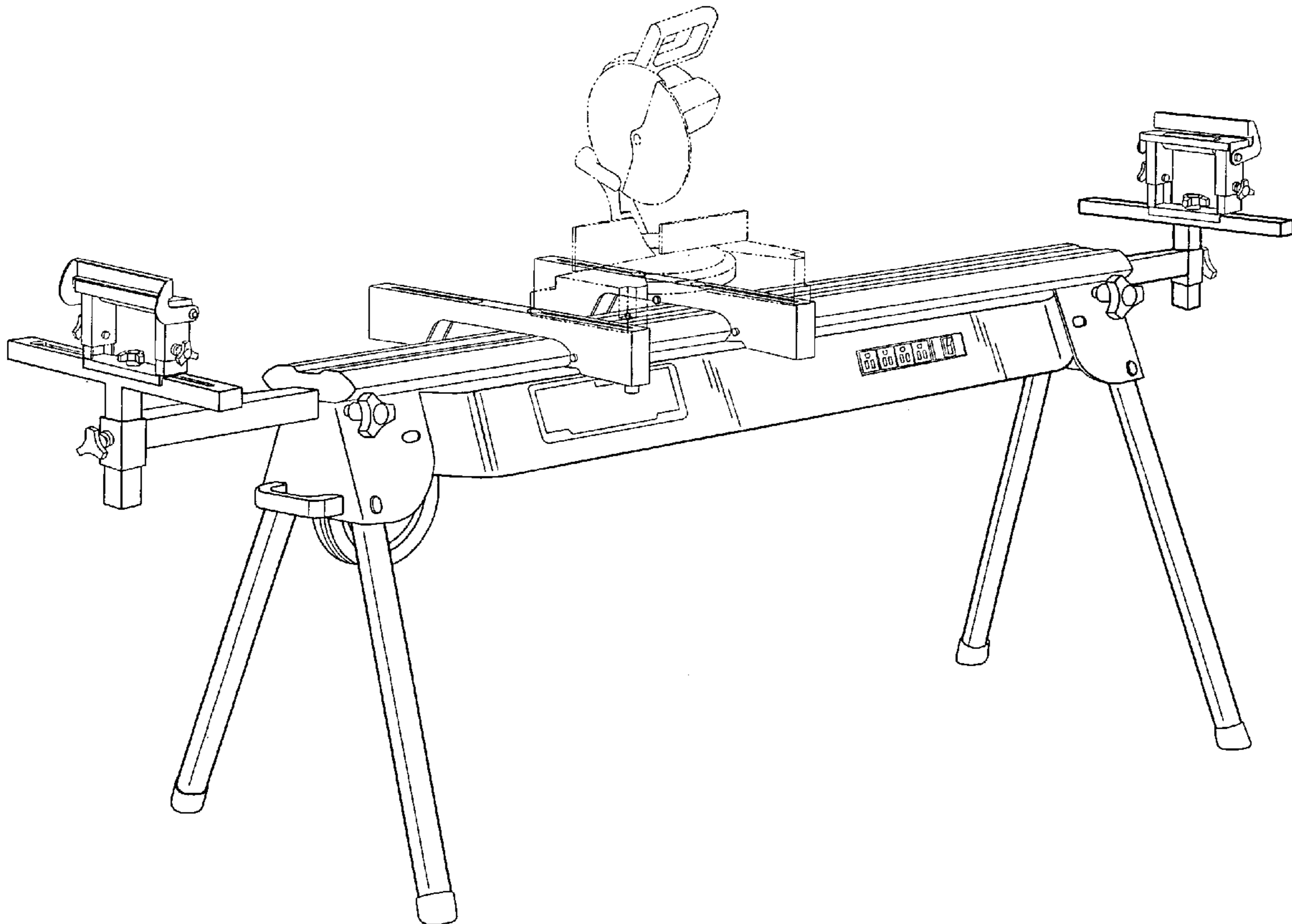
U.S. PATENT DOCUMENTS

- 5,836,365 A * 11/1998 Derektor 144/287
- 5,988,243 A * 11/1999 Ayala et al. 144/329
- D489,738 S * 5/2004 Radermacher D15/140
- 2004/0250903 A1* 12/2004 Welsh 144/286.5
- 2005/0006002 A1* 1/2005 Barclay de Tolly 144/286.5

FIG. 4 is an end view of the portable tool stand of the present invention, the opposite end being a mirror image thereof; and,

FIG. 5 is a rear elevation view of the portable tool stand of the present invention.

1 Claim, 5 Drawing Sheets



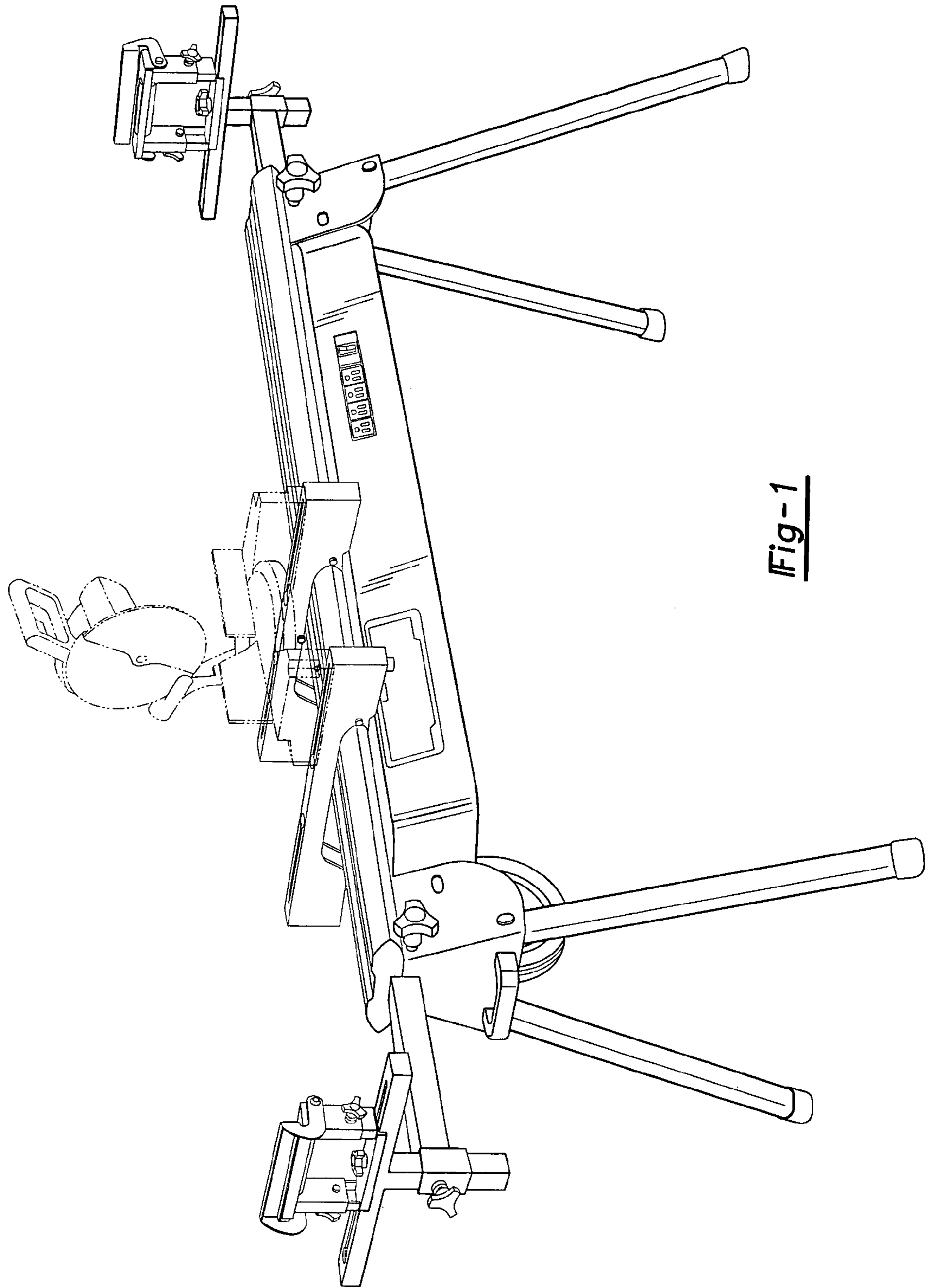


Fig-1

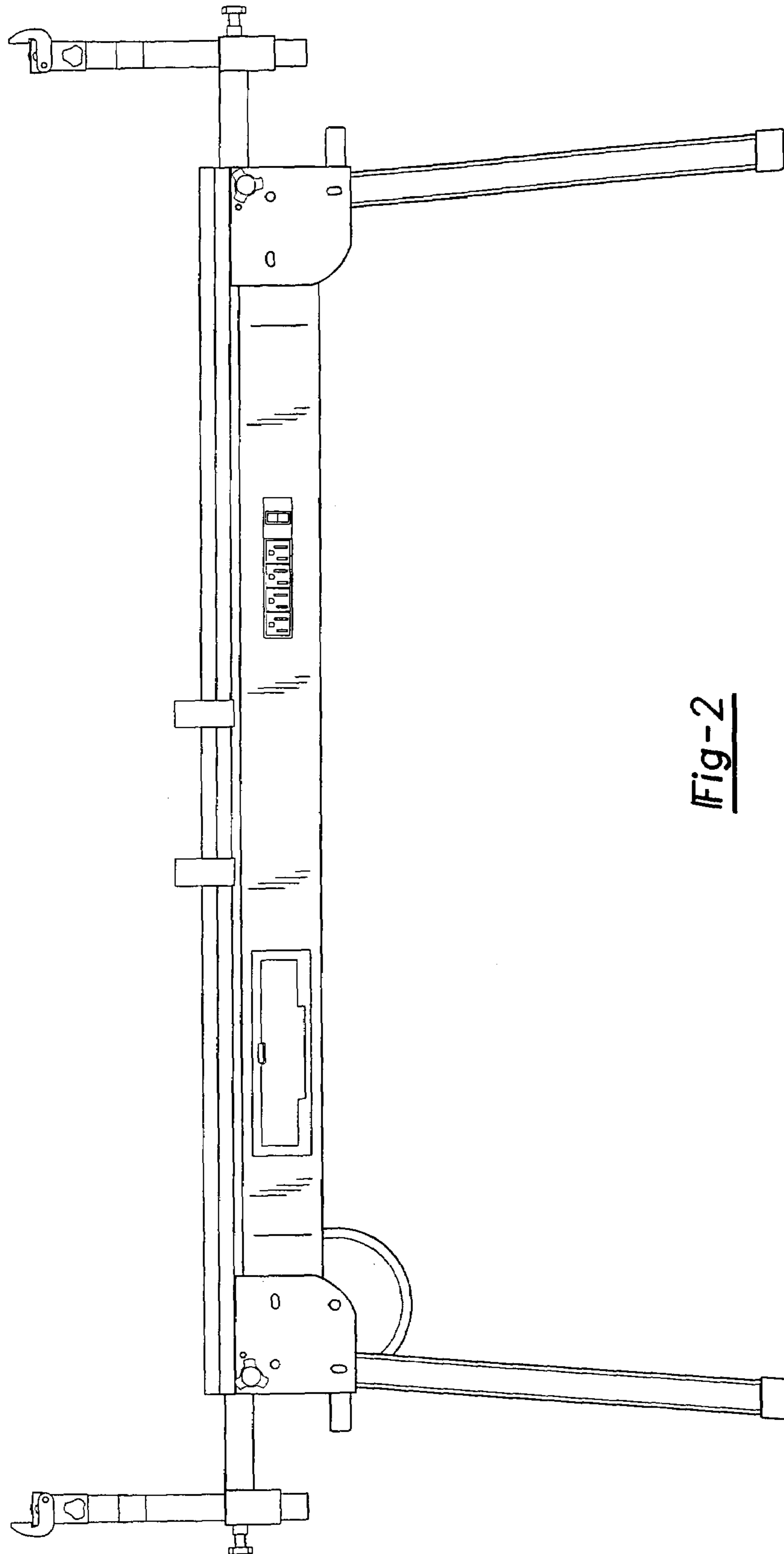


Fig-2

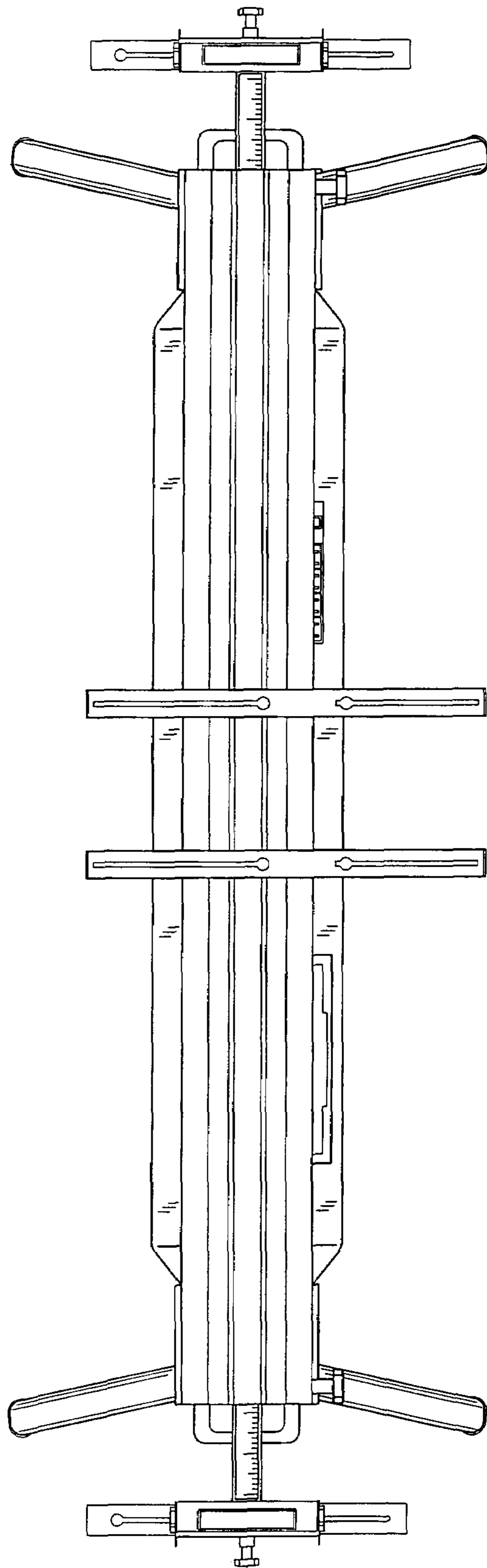


Fig-3

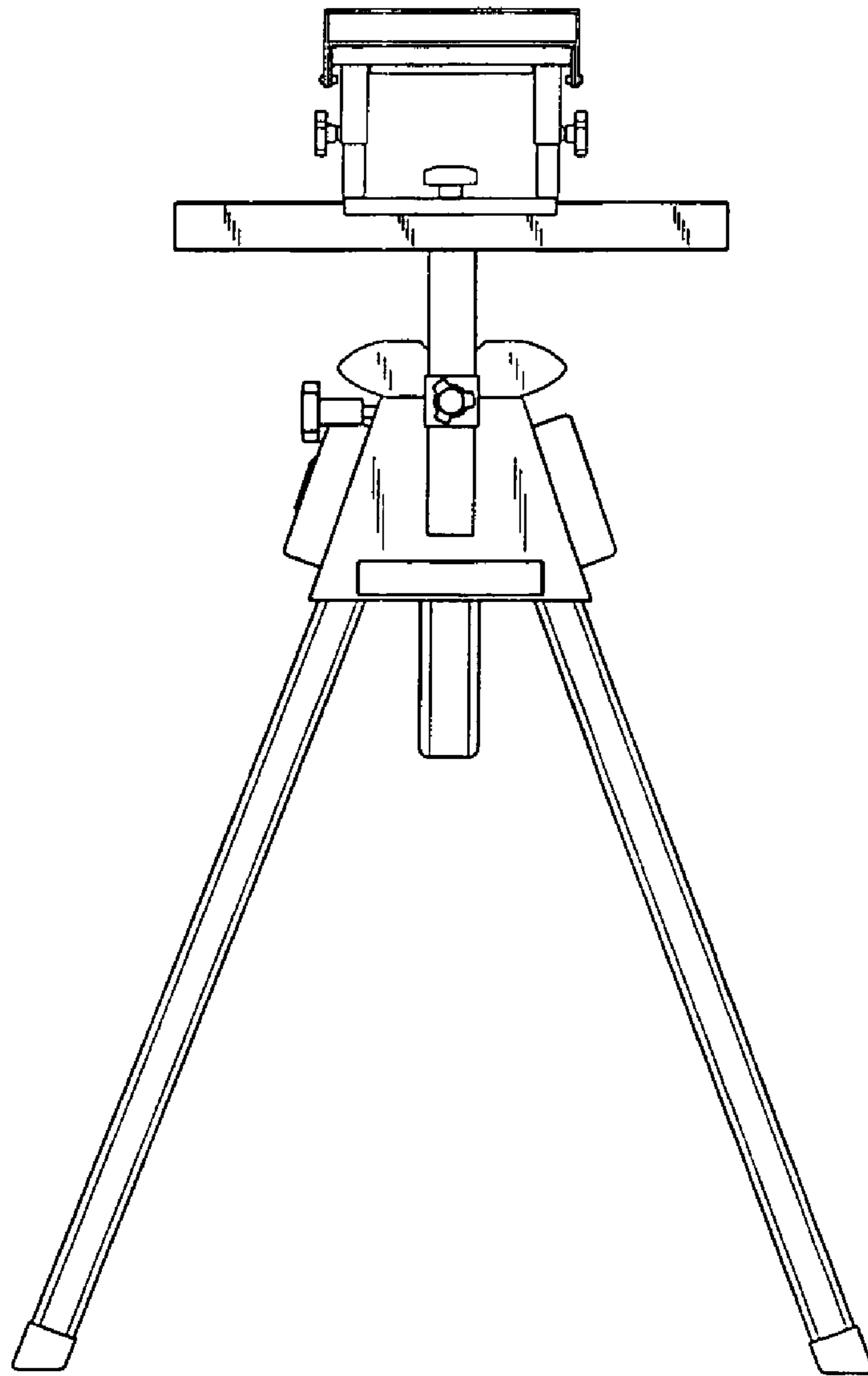


Fig-4

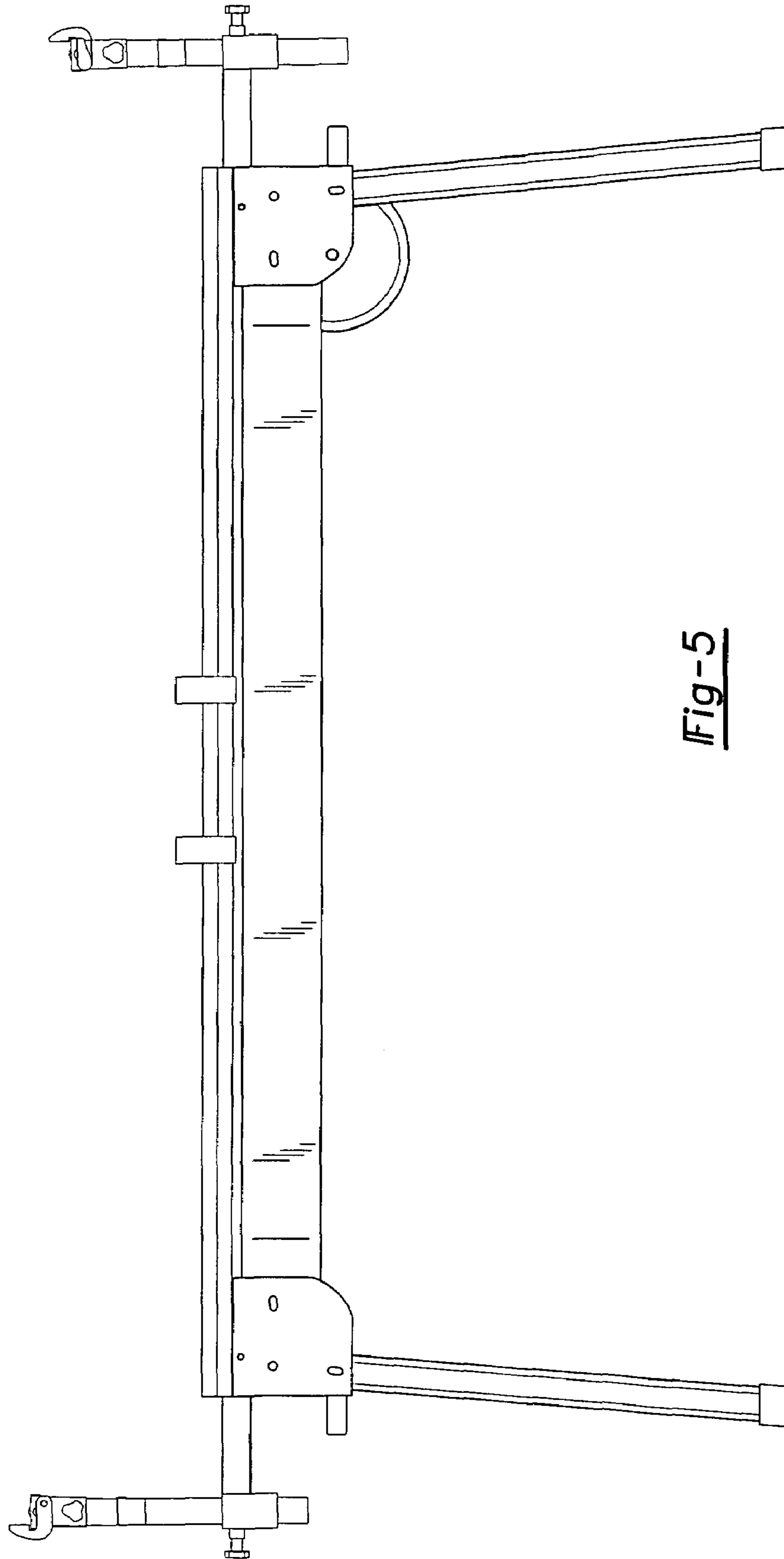


Fig-5