



US00D549748S

(12) **United States Design Patent**
Skillings et al.

(10) **Patent No.:** **US D549,748 S**

(45) **Date of Patent:** **** Aug. 28, 2007**

(54) **WET WHEEL TILE CUTTER**

FOREIGN PATENT DOCUMENTS

(75) Inventors: **Simon James Skillings**,
Burton-on-Trent (GB); **Paul Steabben**
Hepworth, Guildford (GB)

FR	000180765-0002	8/2004
FR	000180765-0004	8/2004
GB	2063759	3/1997
GB	2103998	8/2001

(73) Assignee: **Turner Intellectual Property Limited**
(GB)

* cited by examiner

(**) Term: **14 Years**

Primary Examiner—Antoine D. Davis

Assistant Examiner—Patricia Palasik

(21) Appl. No.: **29/222,874**

(74) *Attorney, Agent, or Firm*—Nikolai & Mersereau, P.A.;
Thomas J. Nikolai

(22) Filed: **Feb. 4, 2005**

(57) **CLAIM**

(30) **Foreign Application Priority Data**

Aug. 5, 2004 (EM) 000213988-0001

The ornamental design of a wet wheel tile cutter, as shown and described.

(51) **LOC (8) Cl.** **15-09**

DESCRIPTION

(52) **U.S. Cl.** **D15/133**

(58) **Field of Classification Search** D15/127,
D15/133; 83/169, 450, 477.2, 478, 522.3,
83/522.1, 432, 435, 477; 269/166, 180; 125/13.01,
125/23.02

FIG. 1 is a right side view of a wet wheel tile cutter showing the new design;

FIG. 2 is a left side view thereof;

FIG. 3 is a top plan view thereof;

FIG. 4 is a bottom view thereof;

FIG. 5 is a rear view thereof; and,

FIG. 6 is a front view thereof.

See application file for complete search history.

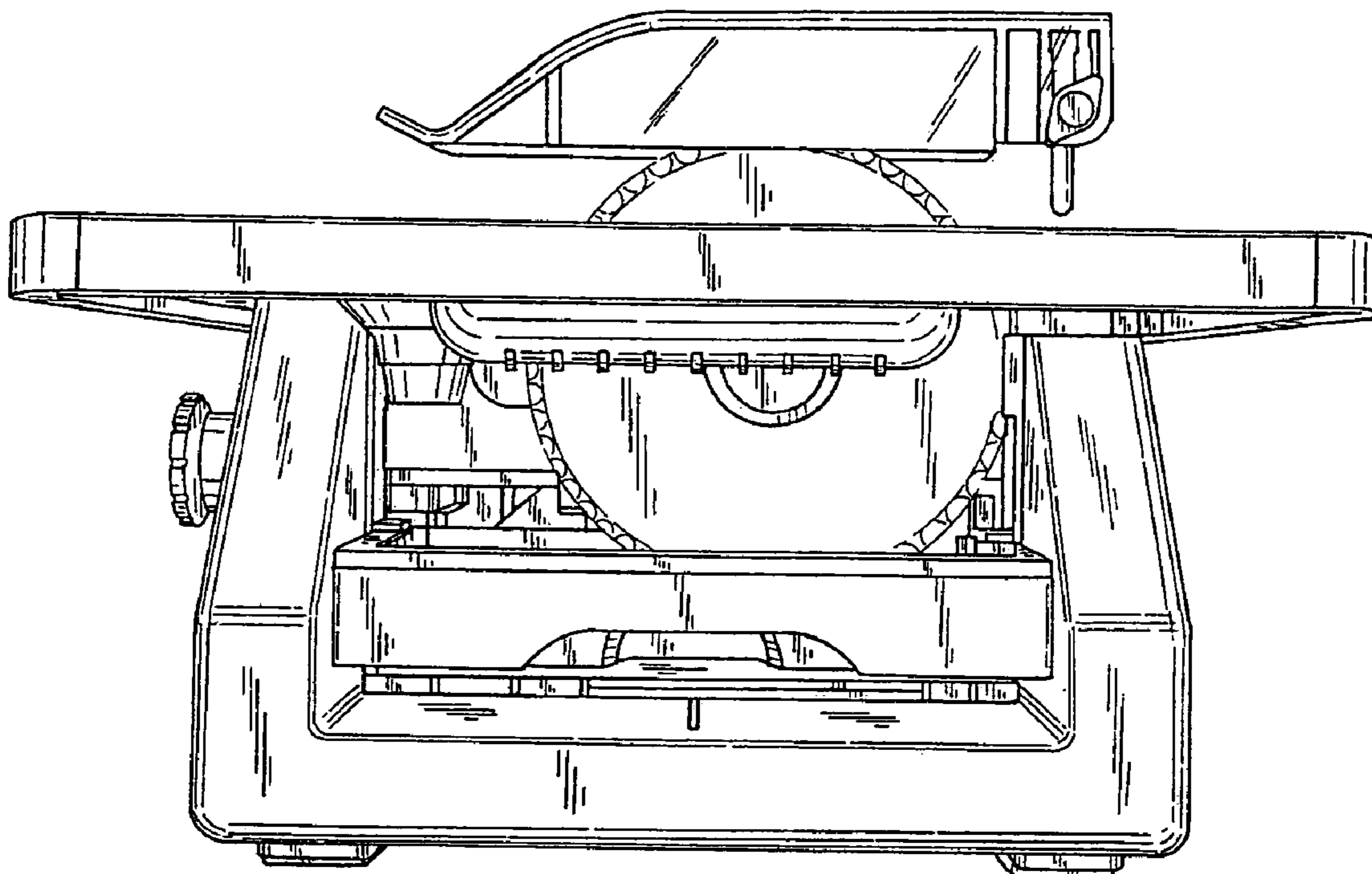
The broken line showing is for illustrative purposes only and forms no part of the claimed design.

(56) **References Cited**

U.S. PATENT DOCUMENTS

D400,896 S *	11/1998	Hepworth	D15/133
D479,539 S *	9/2003	Chen	D15/133
D492,706 S *	7/2004	Hepworth	D15/133
D508,928 S *	8/2005	Chen	D15/133

1 Claim, 3 Drawing Sheets



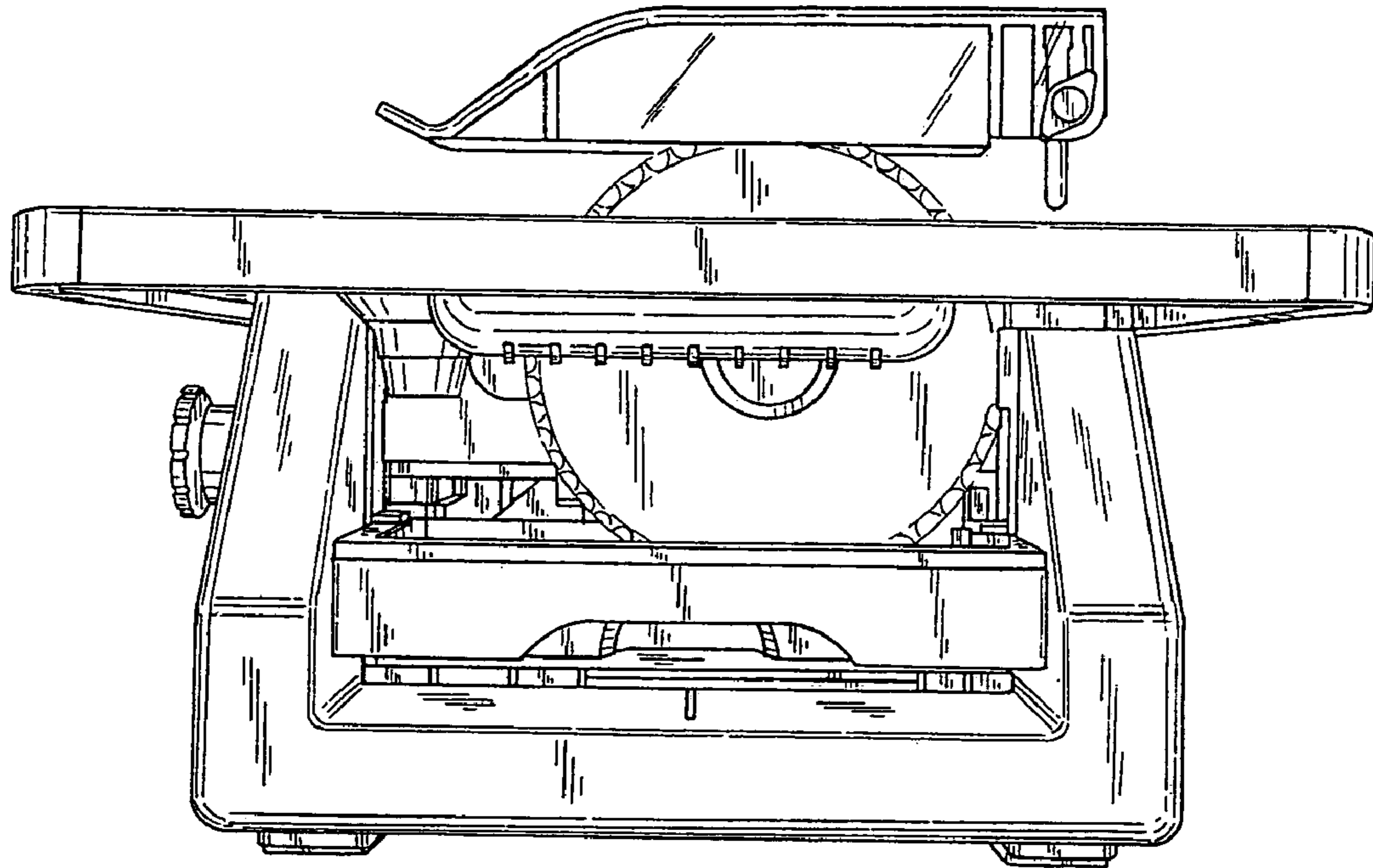


FIG. 1

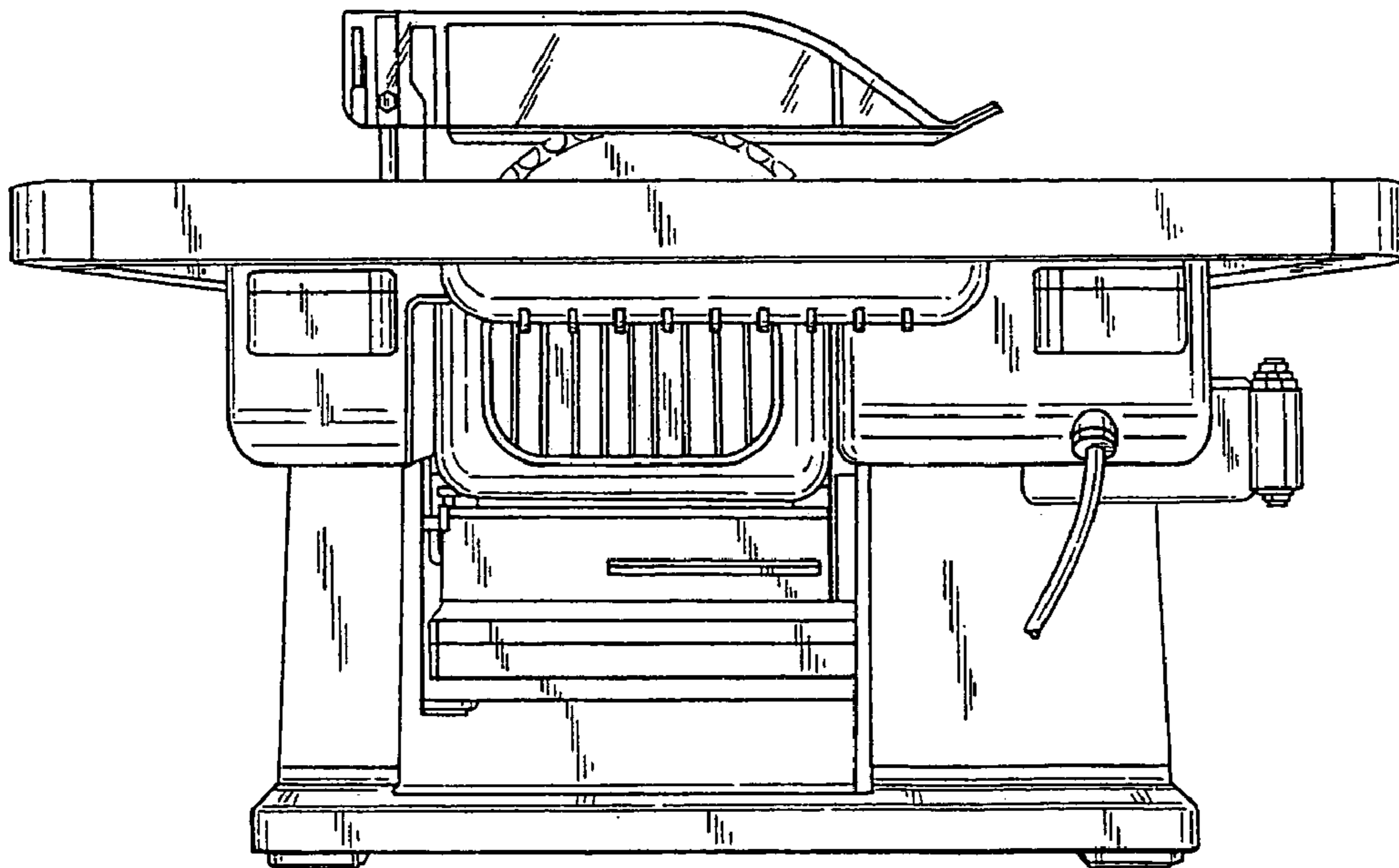


FIG. 2

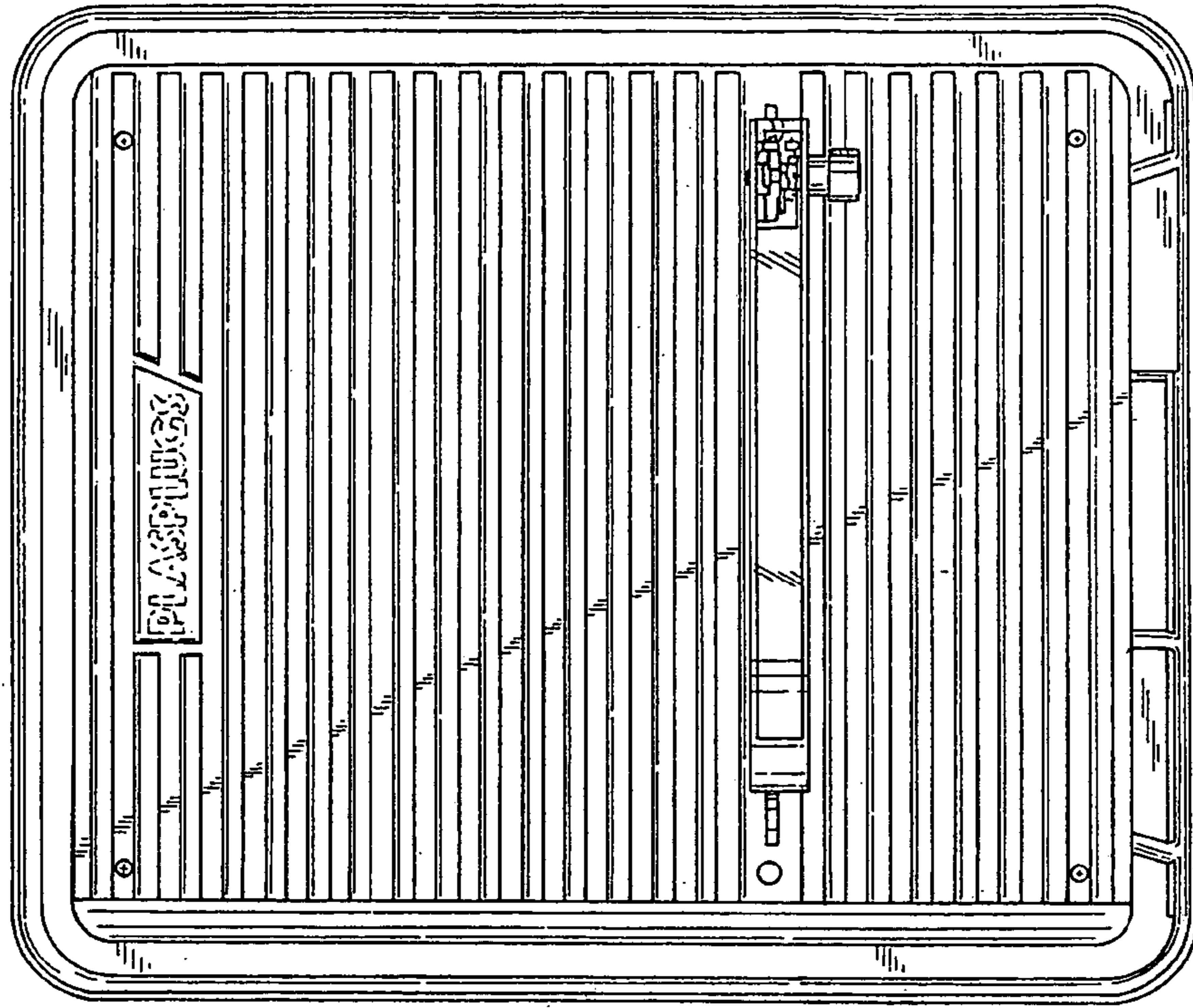


FIG. 3

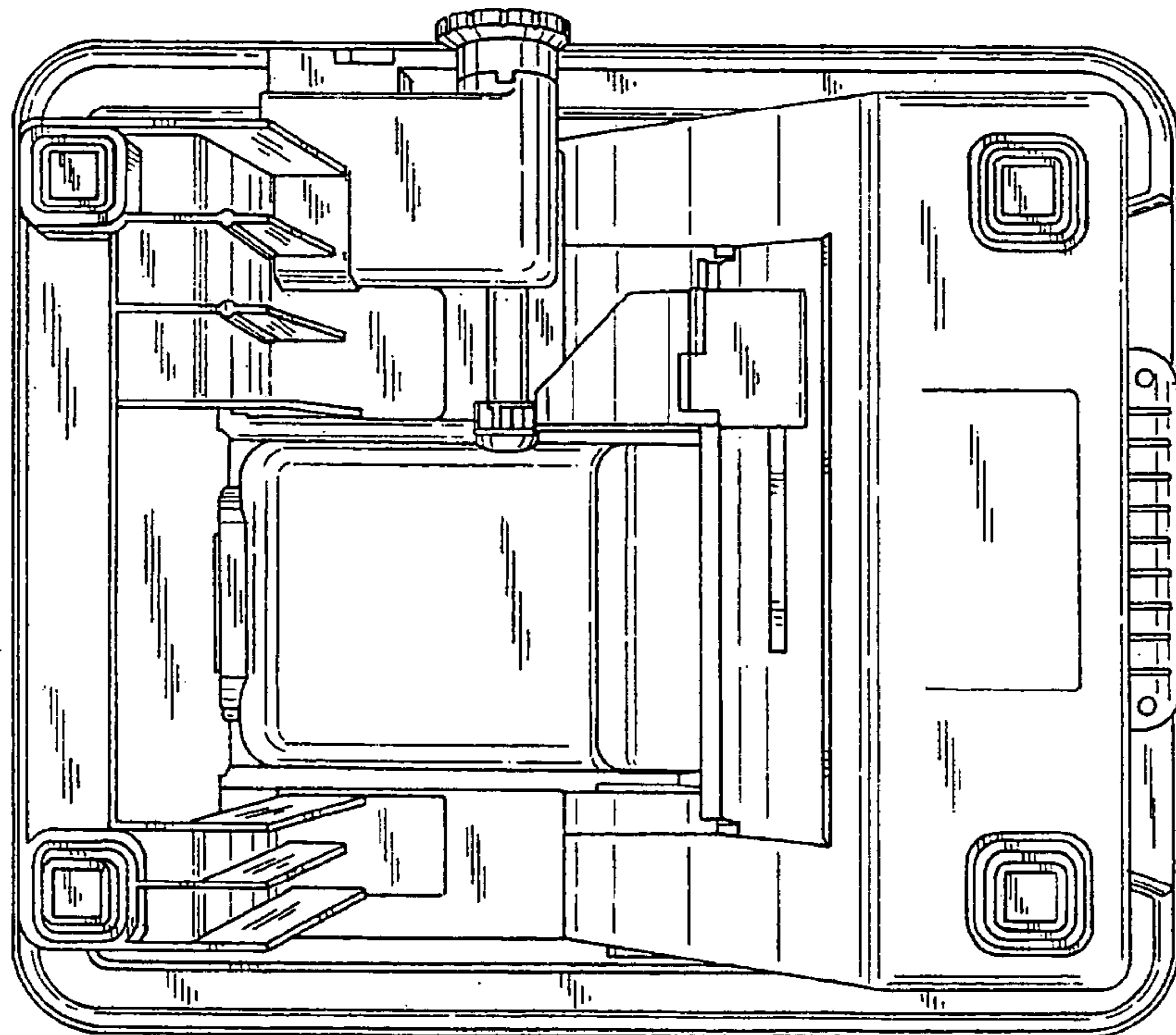


FIG. 4

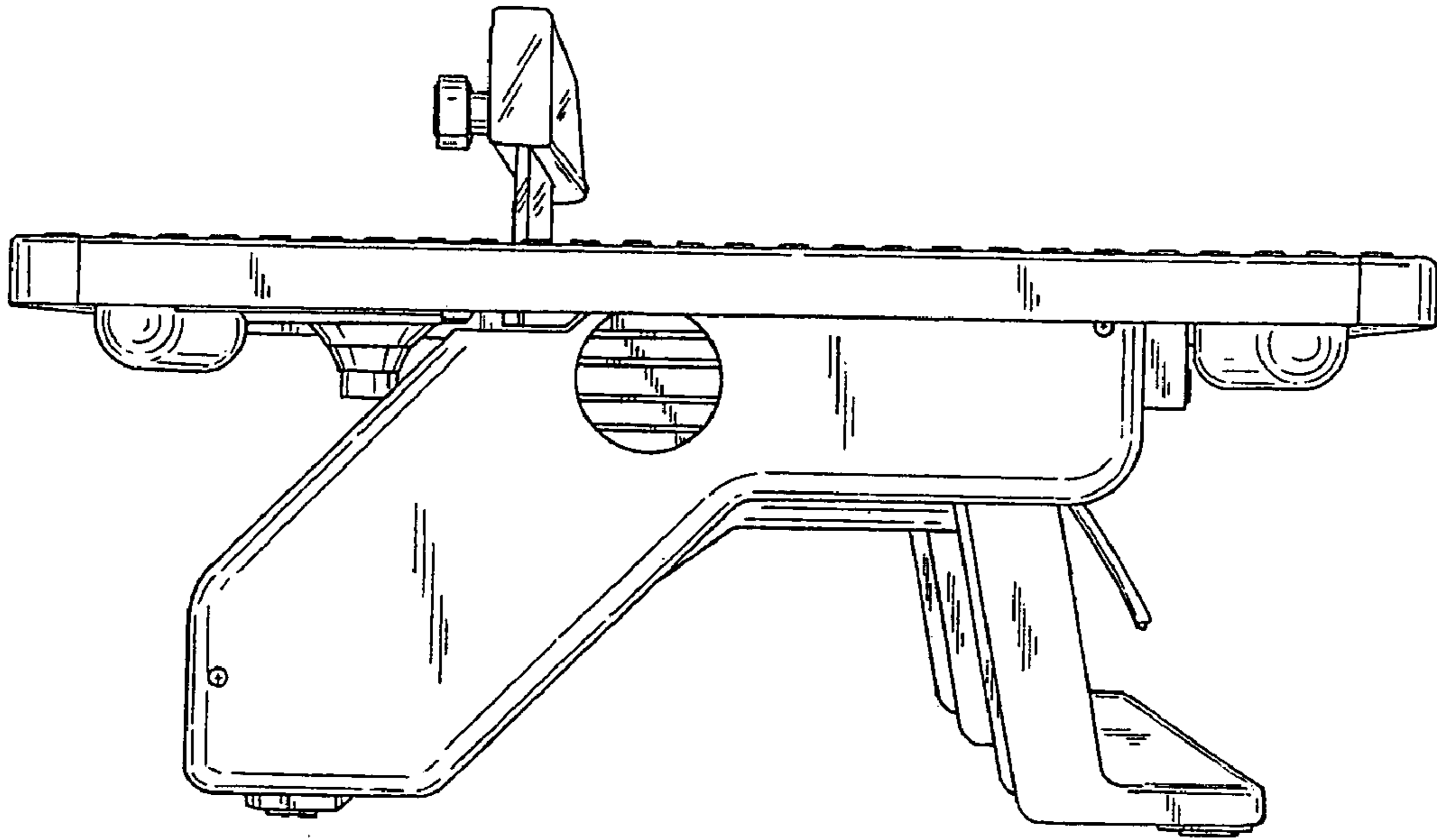


FIG. 5

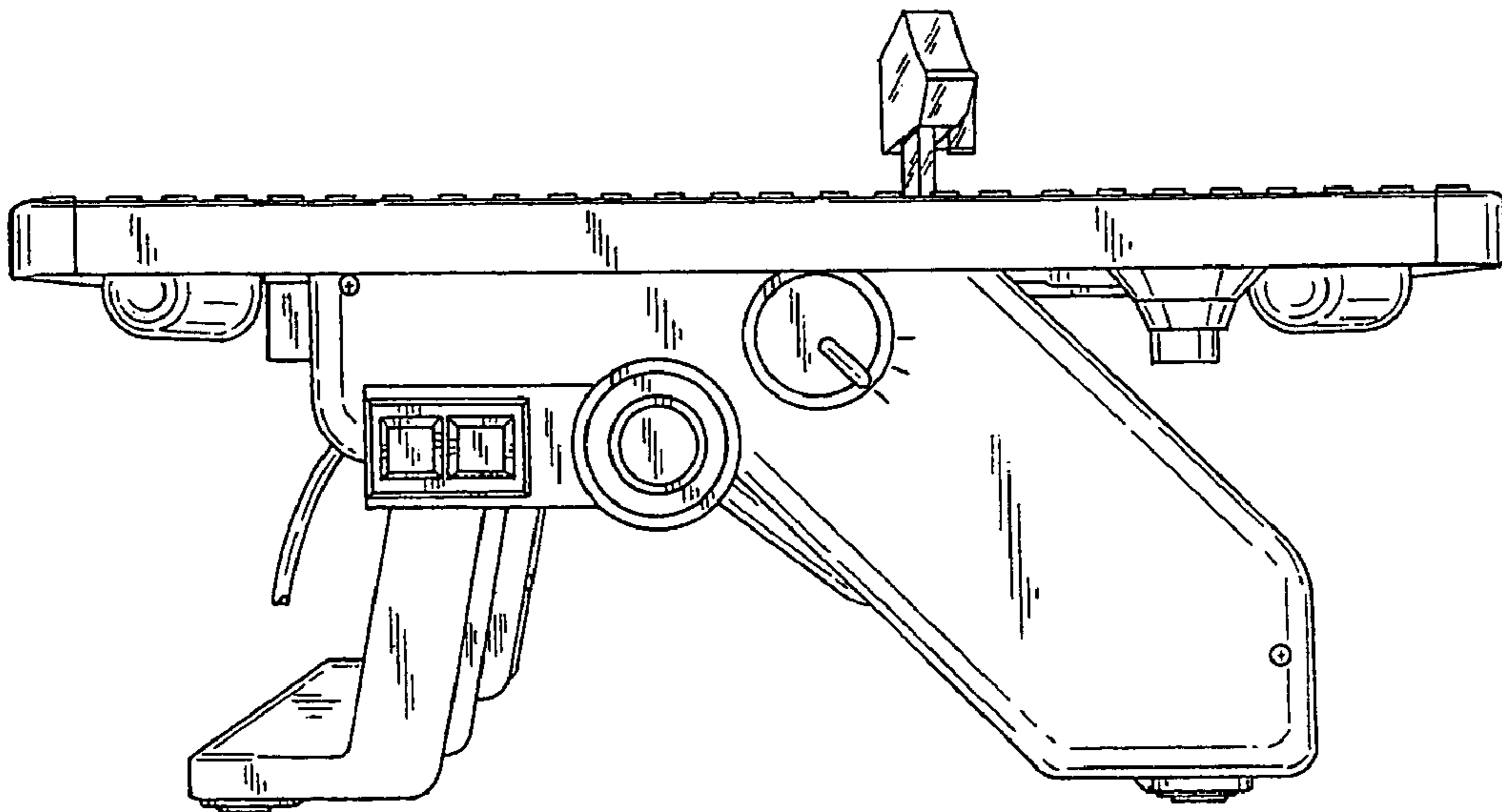


FIG. 6