

US00D549747S

(12) **United States Design Patent**
Nakano

(10) **Patent No.:** **US D549,747 S**

(45) **Date of Patent:** **** Aug. 28, 2007**

(54) **ROLL MILL**

D520,536 S * 5/2006 Tokui et al. D15/131

(75) Inventor: **Takuji Nakano**, Tokyo (JP)

FOREIGN PATENT DOCUMENTS

(73) Assignee: **Satake Corporation**, Tokyo (JP)

CN	97215524.8	9/1998
CN	99320742.1	4/2000
CN	01349972.6	6/2002
CN	200430004294.2	4/2005
GB	2065365	8/1997

(**) Term: **14 Years**

(21) Appl. No.: **29/240,872**

* cited by examiner

(22) Filed: **Oct. 20, 2005**

Primary Examiner—Antoine D. Davis

Assistant Examiner—Patricia Palasik

(30) **Foreign Application Priority Data**

(74) *Attorney, Agent, or Firm*—Jacobson Holman PLLC

Apr. 21, 2005 (JP) 2005-011792

(51) **LOC (8) Cl.** **15-09**

(52) **U.S. Cl.** **D15/131**

(58) **Field of Classification Search** D15/123,
D15/131; 209/139.1; 241/29, 37, 65, 79.1,
241/80, 109, 117, 119, 121, 130, 159, 224,
241/227, 230, 232, 234, 235, 260
See application file for complete search history.

(57) **CLAIM**

The ornamental design for a roll mill, as shown and described.

DESCRIPTION

FIG. 1 is a front and upper perspective view of a roll mill embodied in accordance with my design;

FIG. 2 is a front view thereof (a rear view is represented identically with the front view);

FIG. 3 is a left side view thereof (a right side view is represented identically with the left side view);

FIG. 4 is a top plan view thereof; and,

FIG. 5 is a bottom plan view thereof.

(56) **References Cited**

U.S. PATENT DOCUMENTS

3,881,663	A *	5/1975	Brown	241/227
5,100,068	A *	3/1992	Pingel	241/121
5,368,239	A *	11/1994	Baltensperger et al.	241/37
D400,895	S *	11/1998	Schrepfer	D15/131
D401,248	S *	11/1998	Schrepfer	D15/131

1 Claim, 4 Drawing Sheets

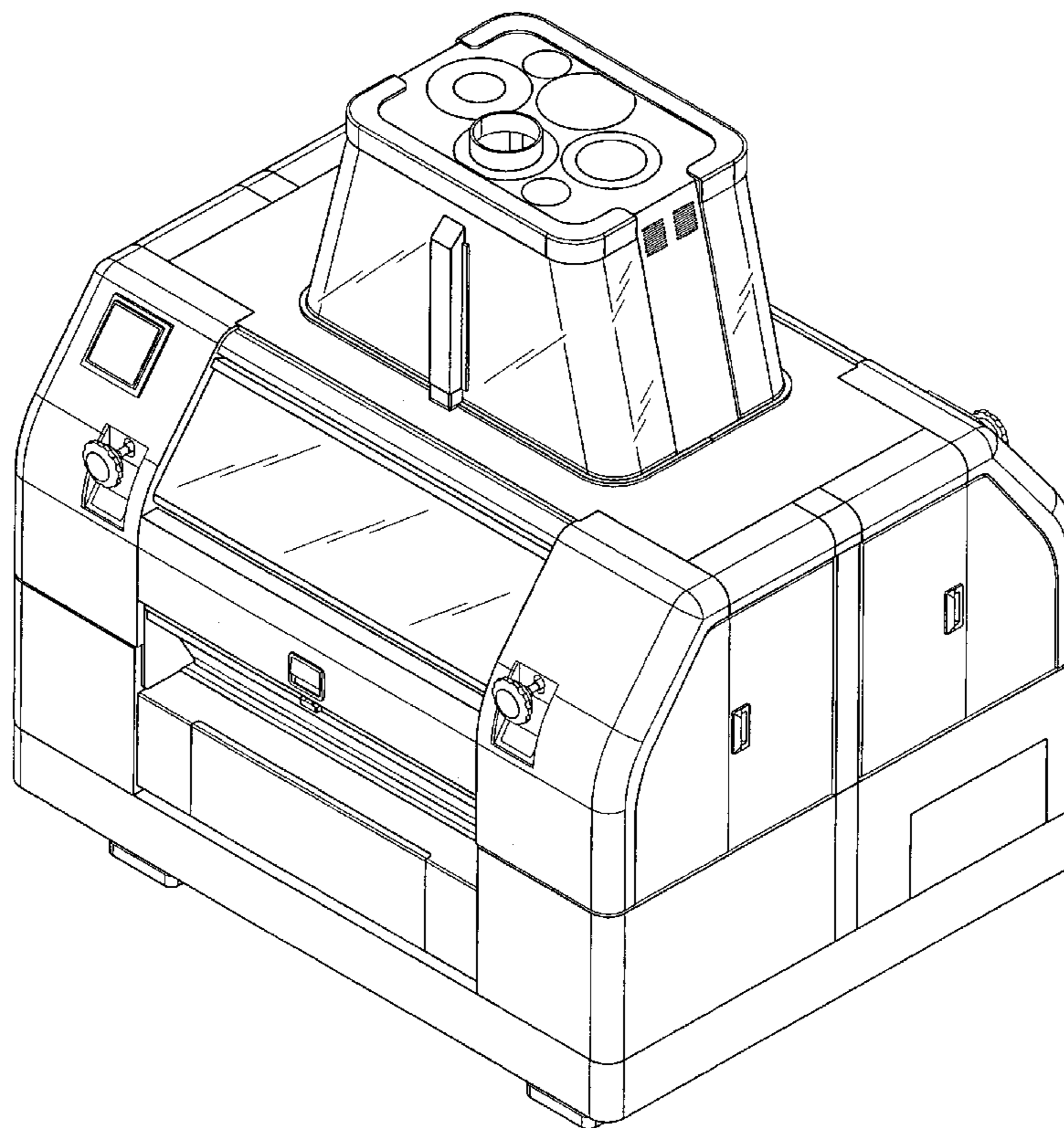


FIG. 1

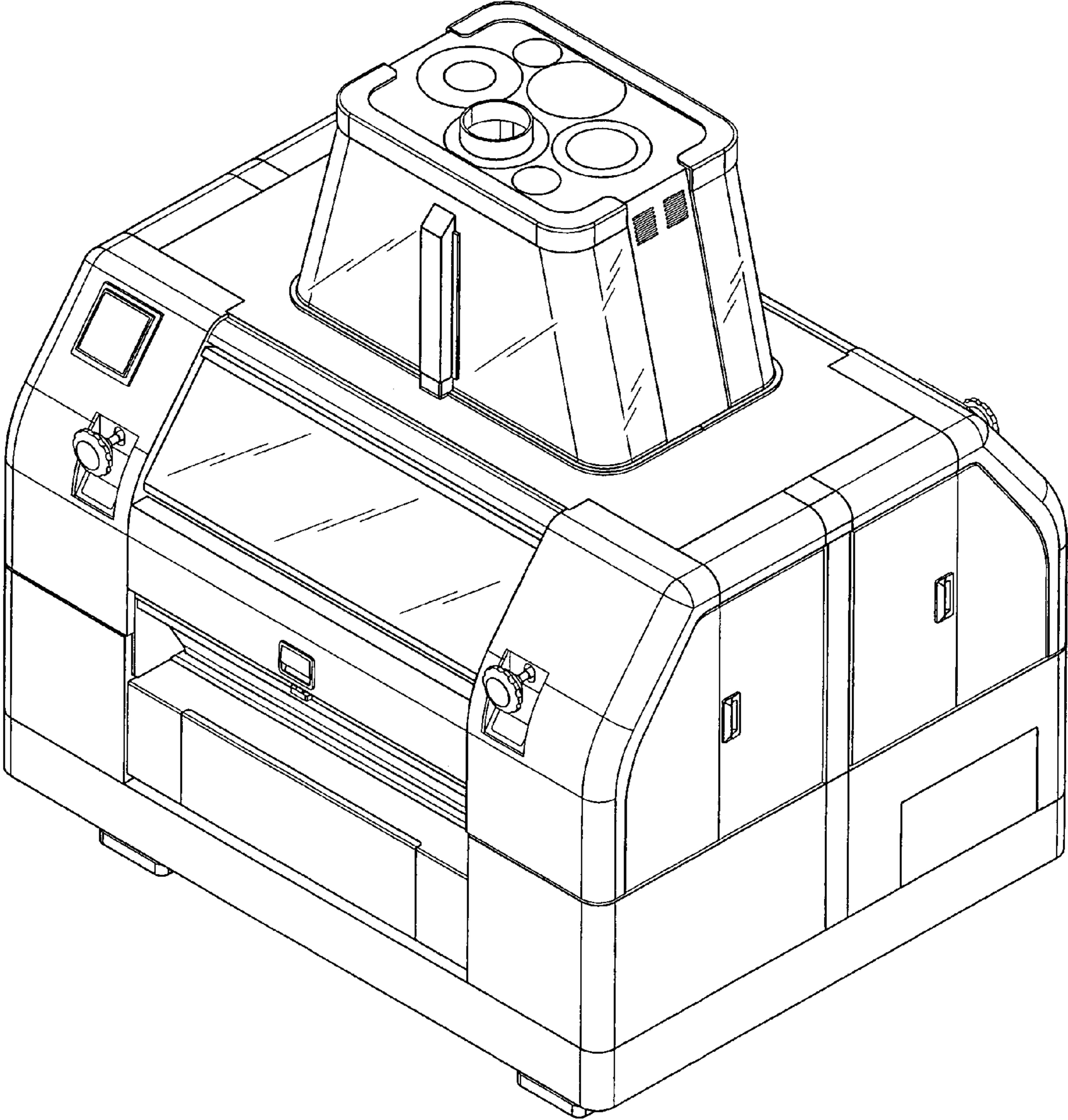


FIG. 2

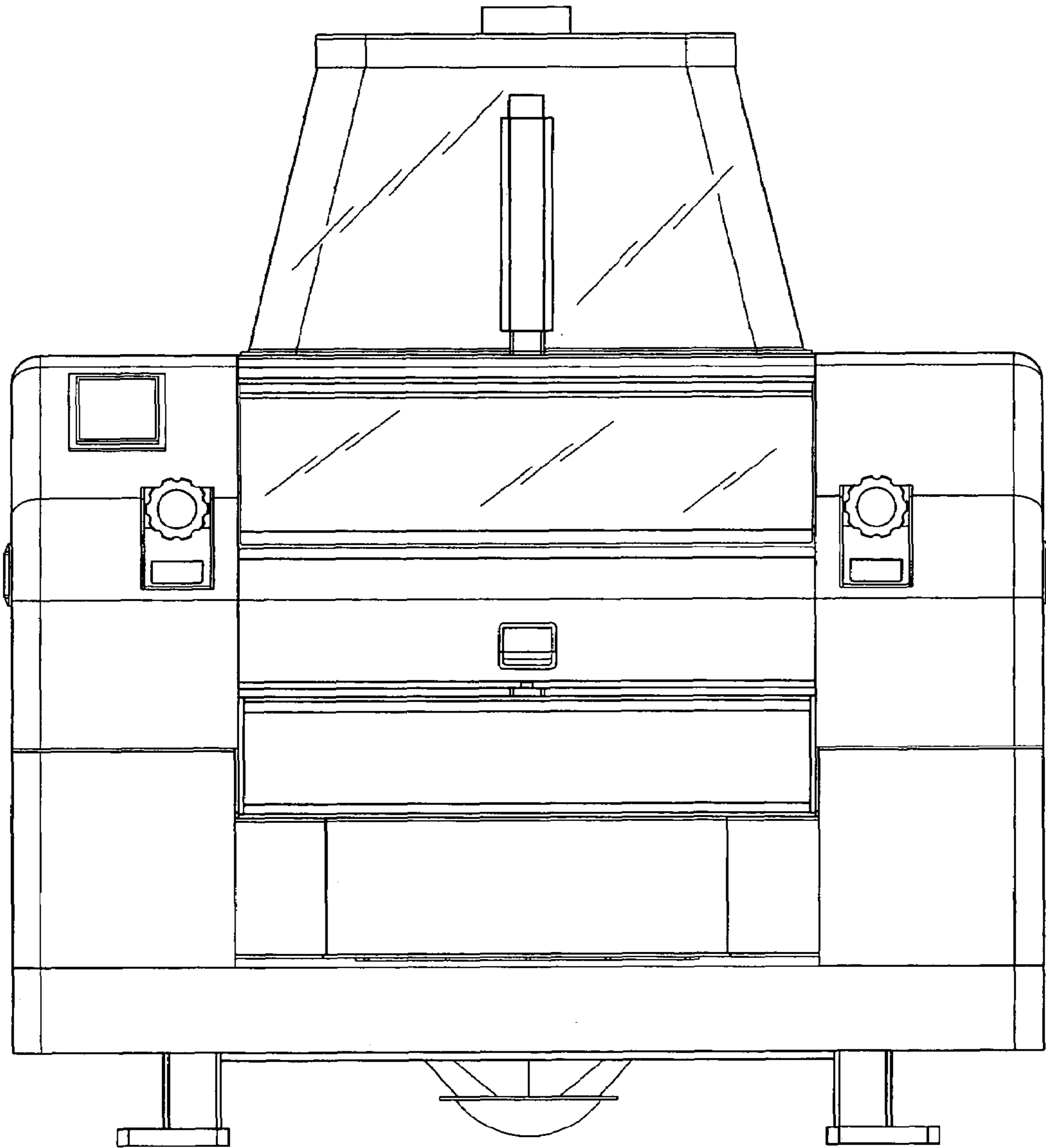


FIG. 3

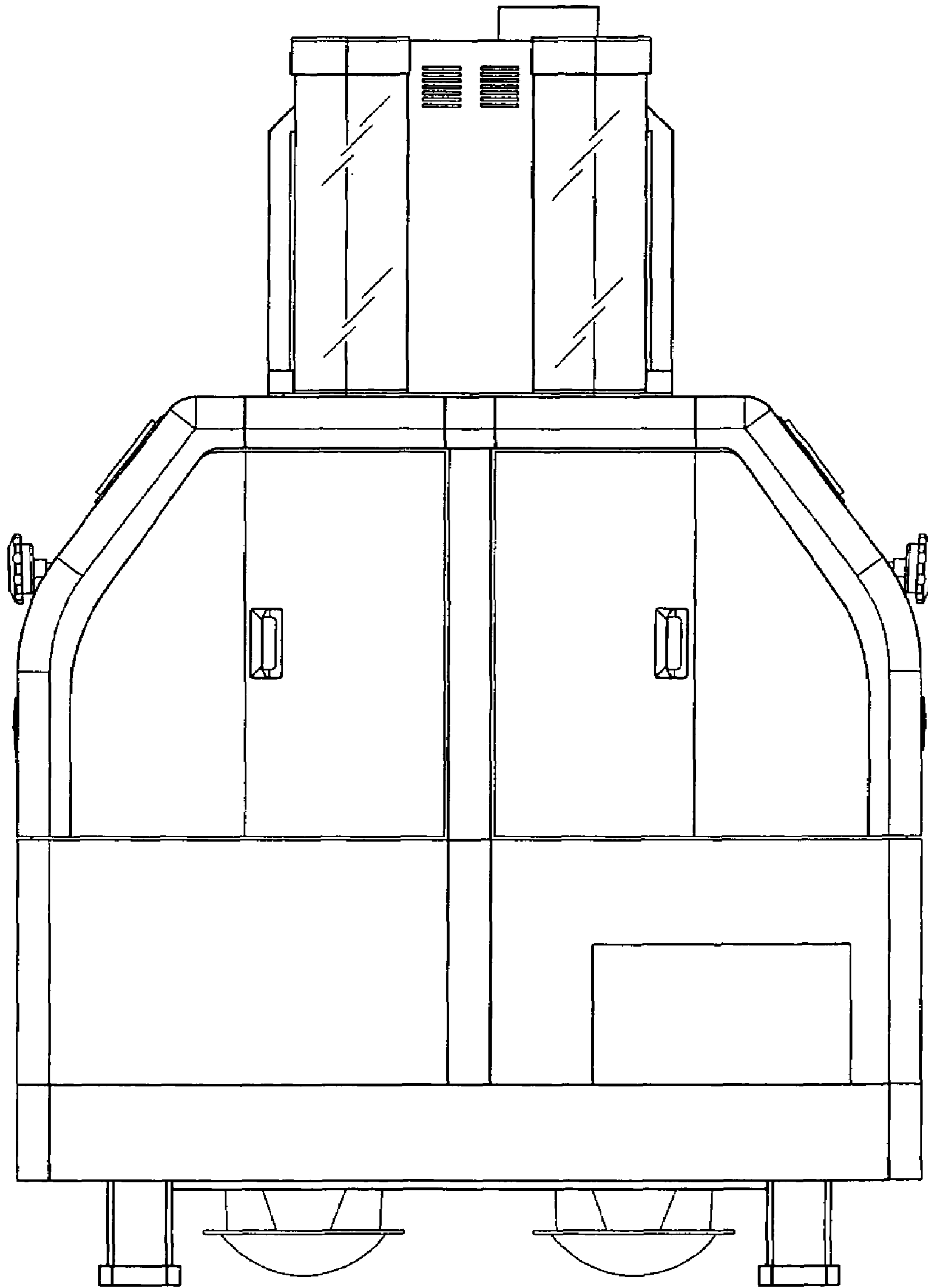


FIG. 4

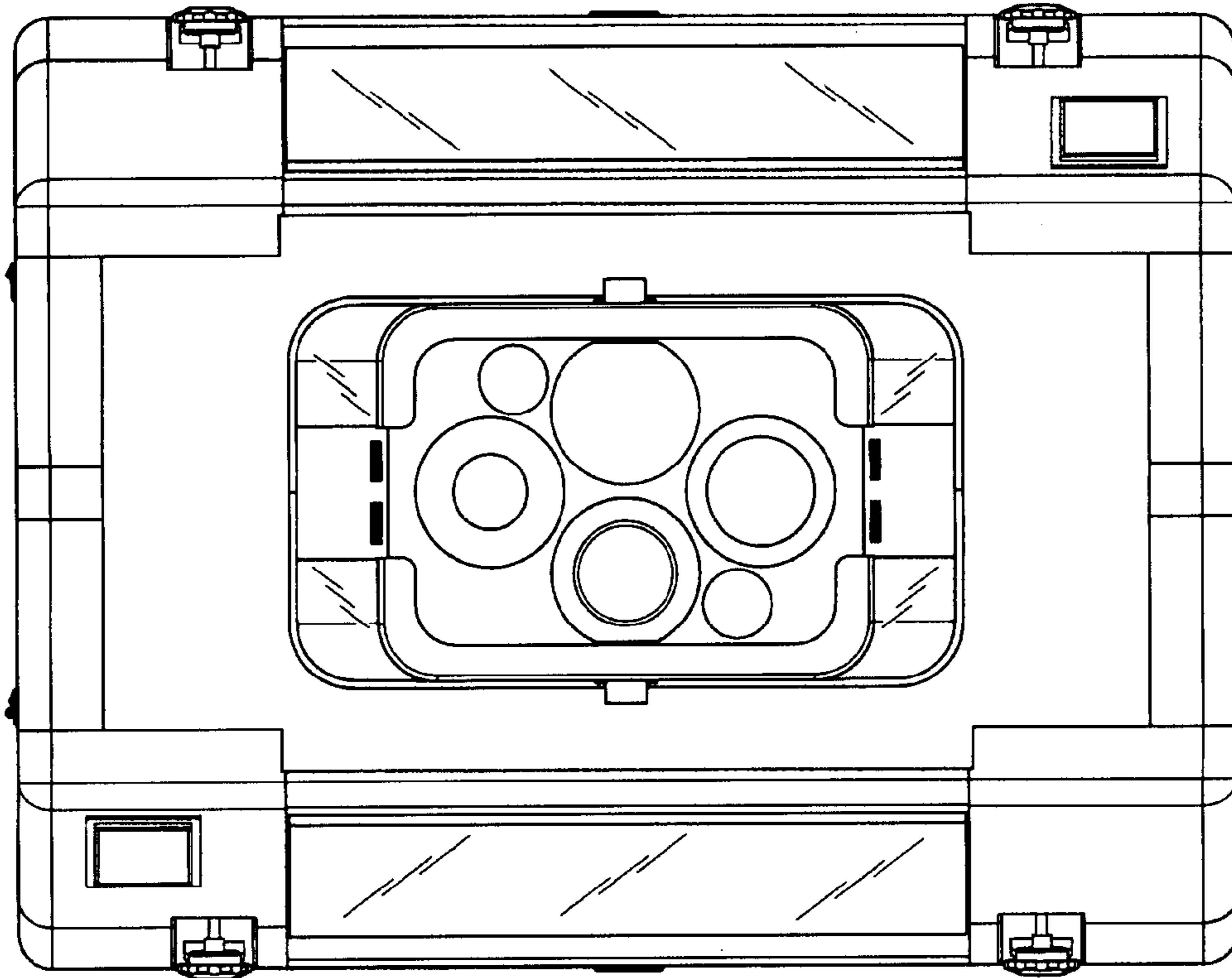


FIG. 5

