

US00D549744S

(12) **United States Design Patent** (10) **Patent No.:** **US D549,744 S**
Sundheim et al. (45) **Date of Patent:** **** Aug. 28, 2007**

(54) **PORTABLE, REFRIGERANT RECOVERY UNIT**
 (75) Inventors: **Gregory S. Sundheim**, 5170 Juniper St., Bowmar, CO (US) 80123; **Robert M Morris**, Lakewood, CO (US)

4,631,006 A 12/1986 Murray
 5,017,108 A 5/1991 Murayama et al.
 5,078,017 A 1/1992 Zornes
 5,092,185 A 3/1992 Zornes et al.
 5,127,239 A 7/1992 Manz et al.
 5,310,326 A 5/1994 Gui et al.
 D358,548 S * 5/1995 Platte D9/527

(73) Assignee: **Gregory S. Sundheim**, Bowmar, CO (US)

(Continued)

(**) Term: **14 Years**
 (21) Appl. No.: **29/271,010**
 (22) Filed: **Jan. 8, 2007**

Related U.S. Application Data

(62) Division of application No. 29/219,128, filed on Dec. 13, 2004, now Pat. No. Des. 536,711.

(51) **LOC (8) Cl.** **15-07**
 (52) **U.S. Cl.** **D15/79**
 (58) **Field of Classification Search** D15/79, D15/81; D9/527; 440/88 R; 312/3.6, 116, 312/138.1, 236, 405, 406; 62/125, 126
 See application file for complete search history.

(56) **References Cited**

U.S. PATENT DOCUMENTS

235,905 A 12/1880 Schultz
 2,491,351 A 12/1949 Zeitlin
 3,067,624 A 12/1962 Norton et al.
 3,191,503 A 6/1965 Fuehrer
 3,451,276 A 6/1969 Wadlow et al.
 3,820,924 A 6/1974 Cassidy
 3,834,840 A 9/1974 Hartley
 3,952,709 A 4/1976 Riddel
 3,990,819 A 11/1976 Ritchie
 4,032,270 A 6/1977 Sheth et al.
 4,299,097 A 11/1981 Shank et al.
 4,408,968 A 10/1983 Inagaki et al.
 4,523,897 A 6/1985 Lower et al.
 4,559,838 A 12/1985 Neuenschwander
 4,608,002 A 8/1986 Hayase et al.

OTHER PUBLICATIONS
 Stinger 2000—Universal Refrigerant Recovery System, pp. 4-5 and 16, 2000, United Kingdom.
 OZ Refrigerant Recovery System—Powermax, ThermaFlo, Springfield, MA, 2003.
 Welch Direct Drive Vacuum Pumps, 2003, Labconco Corporation, Kansas City, MO.
 CPS 2003—Professional Air Conditioning & Refrigeration Products, 2003, p. 14, CPS Products, Inc., Hialeah, FL.

(Continued)

Primary Examiner—Stella Reid
Assistant Examiner—Shanda C. Hill
 (74) *Attorney, Agent, or Firm*—W. Scott Carson

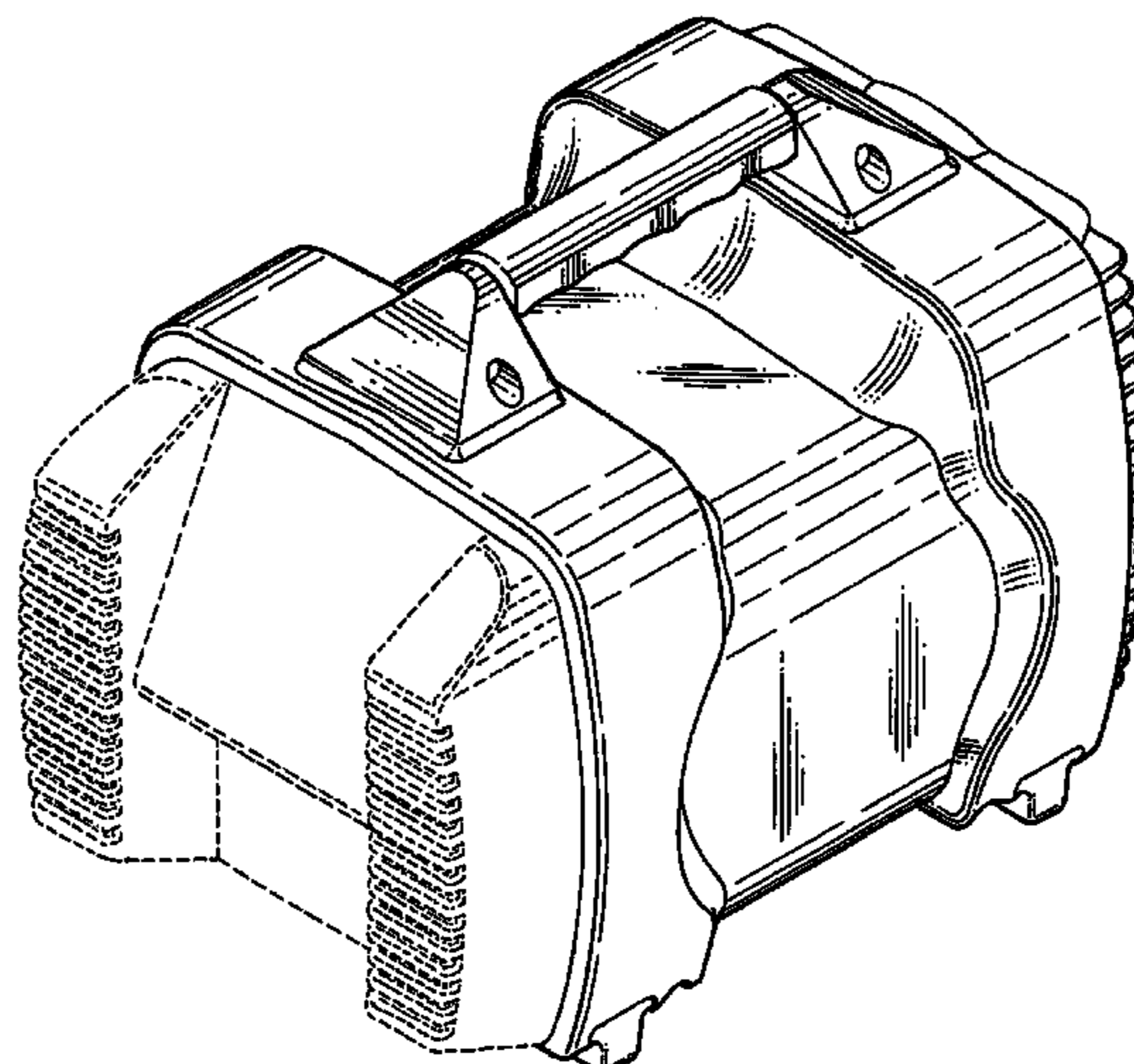
(57) **CLAIM**

The ornamental design for a portable, refrigerant recovery unit, as shown and described.

DESCRIPTION

FIG. 1 is a perspective view of a portable, refrigerant recovery unit showing our new design.
 FIG. 2 is a right side thereof, the left side view being a mirror image thereof.
 FIG. 3 is a front view thereof.
 FIG. 4 is a top plan view thereof.
 FIG. 5 is a bottom plan view; and,
 FIG. 6 is a rear view thereof.
 The broken lines in the drawings are for illustrative purposes only and form no part of the claimed design.

1 Claim, 6 Drawing Sheets



US D549,744 S

Page 2

U.S. PATENT DOCUMENTS

5,423,702 A * 6/1995 Butler 440/88 R
D377,179 S * 1/1997 Sundheim et al. D15/79
5,846,059 A 12/1998 Mizuno et al.
6,099,259 A 8/2000 Monk et al.
6,126,410 A 10/2000 Kung et al.
D474,209 S 5/2003 Seymour et al.
D481,741 S * 11/2003 Yuen D15/81
D482,373 S 11/2003 Seymour et al.

OTHER PUBLICATIONS

Promax Robinair, ATP 2004 HVAC/R Catalog, pp. 22-23, Advanced Test Products, Miramar, FL.

Greg Sundheim, Helpful Hints for Refrigerant Recovery, Contracting Business, Feb. 1997, Penton Publishing Inc., Cleveland, OH.

Refrigerant Recovery, 1998, Promax/Amprobe, Englewood, CO.

* cited by examiner

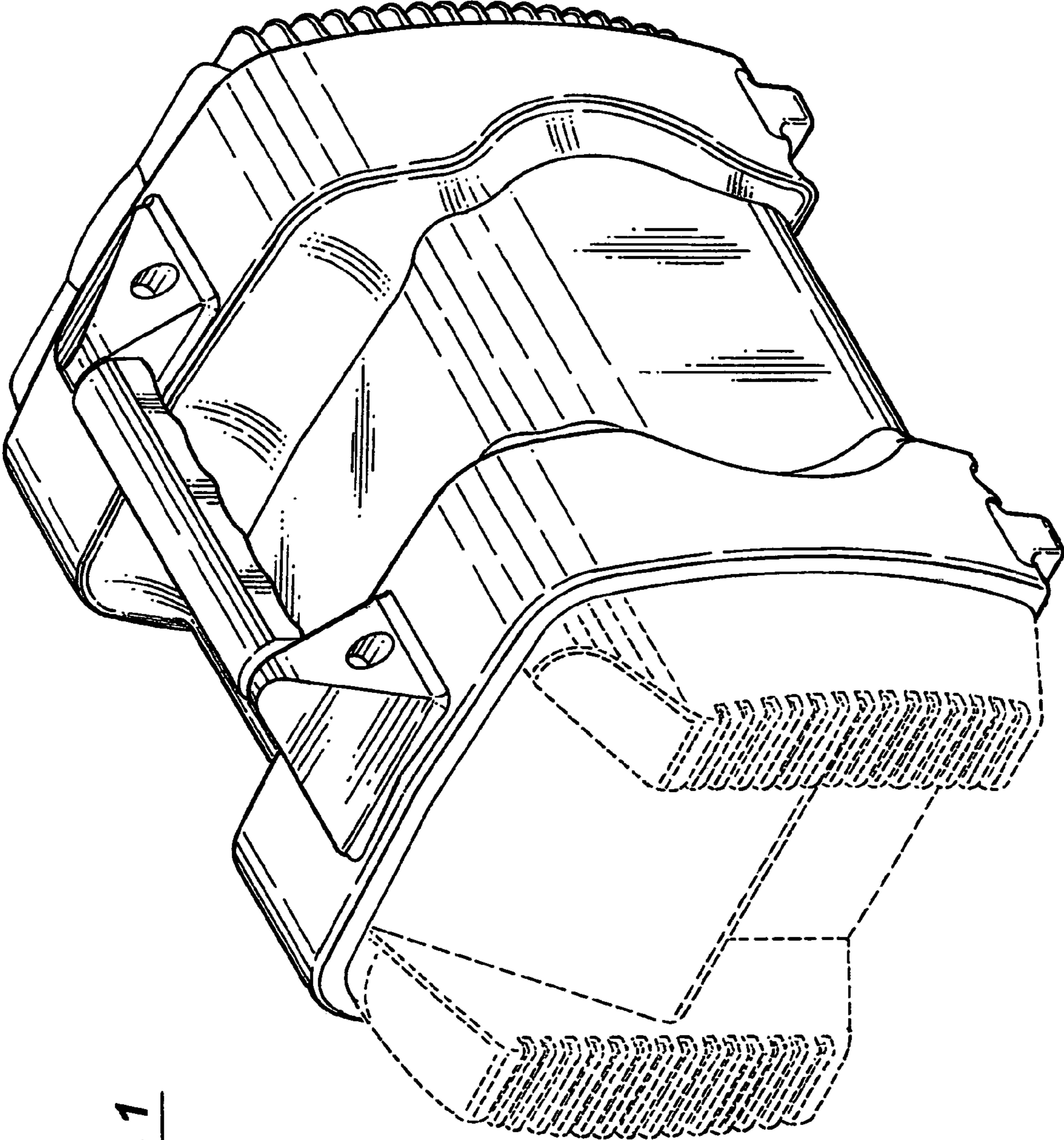


Fig. 1

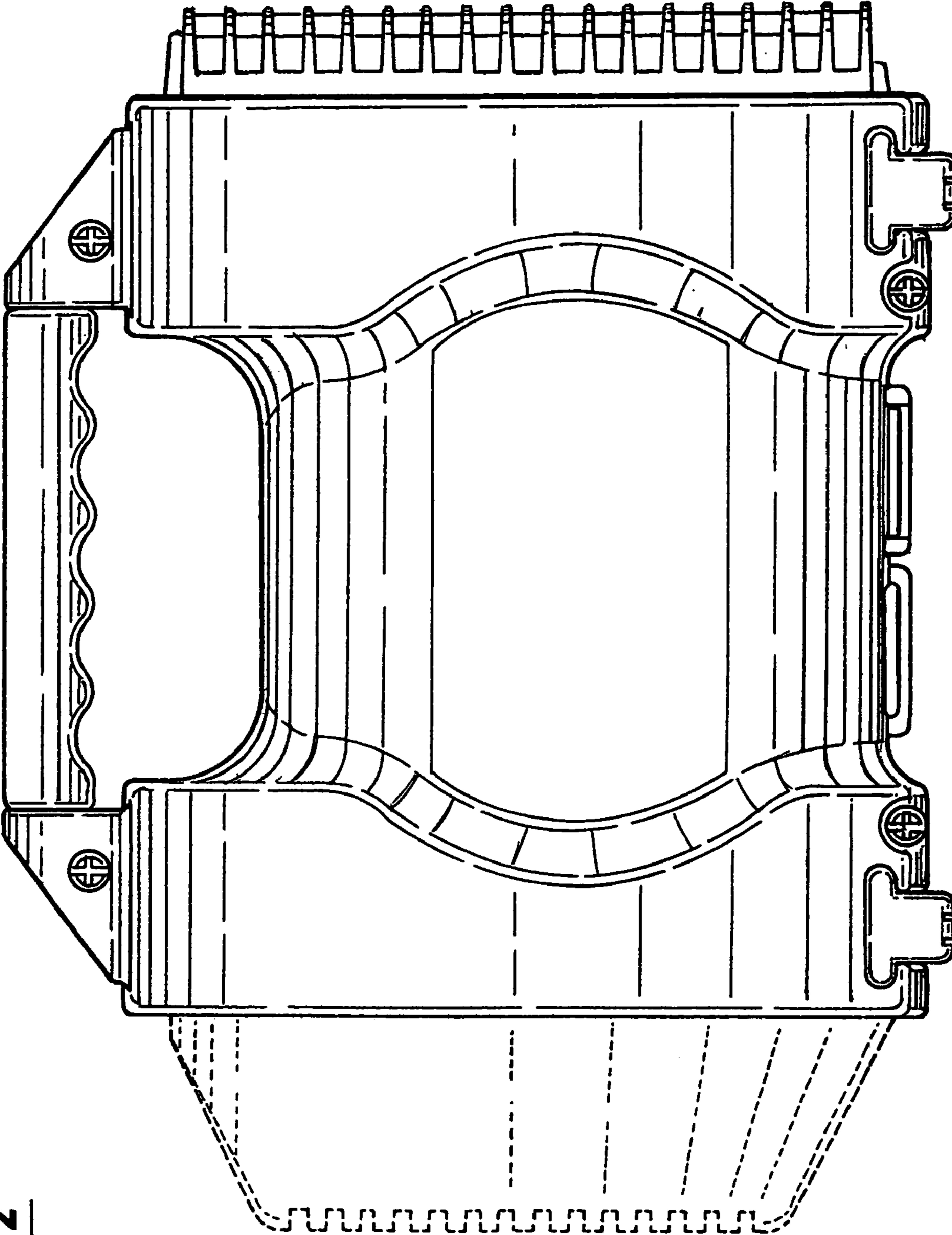


Fig. 2

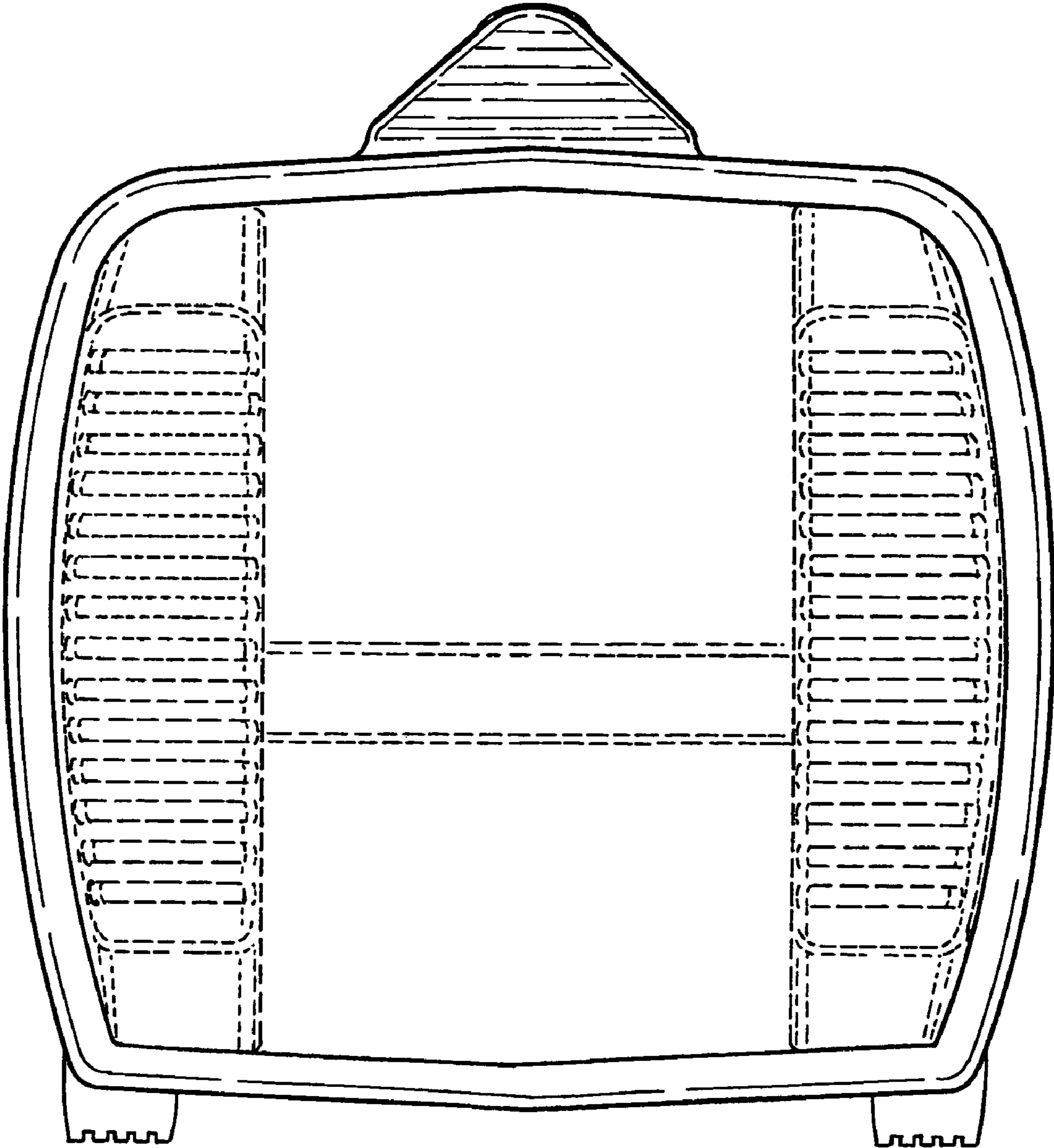


Fig. 3

Fig. 4

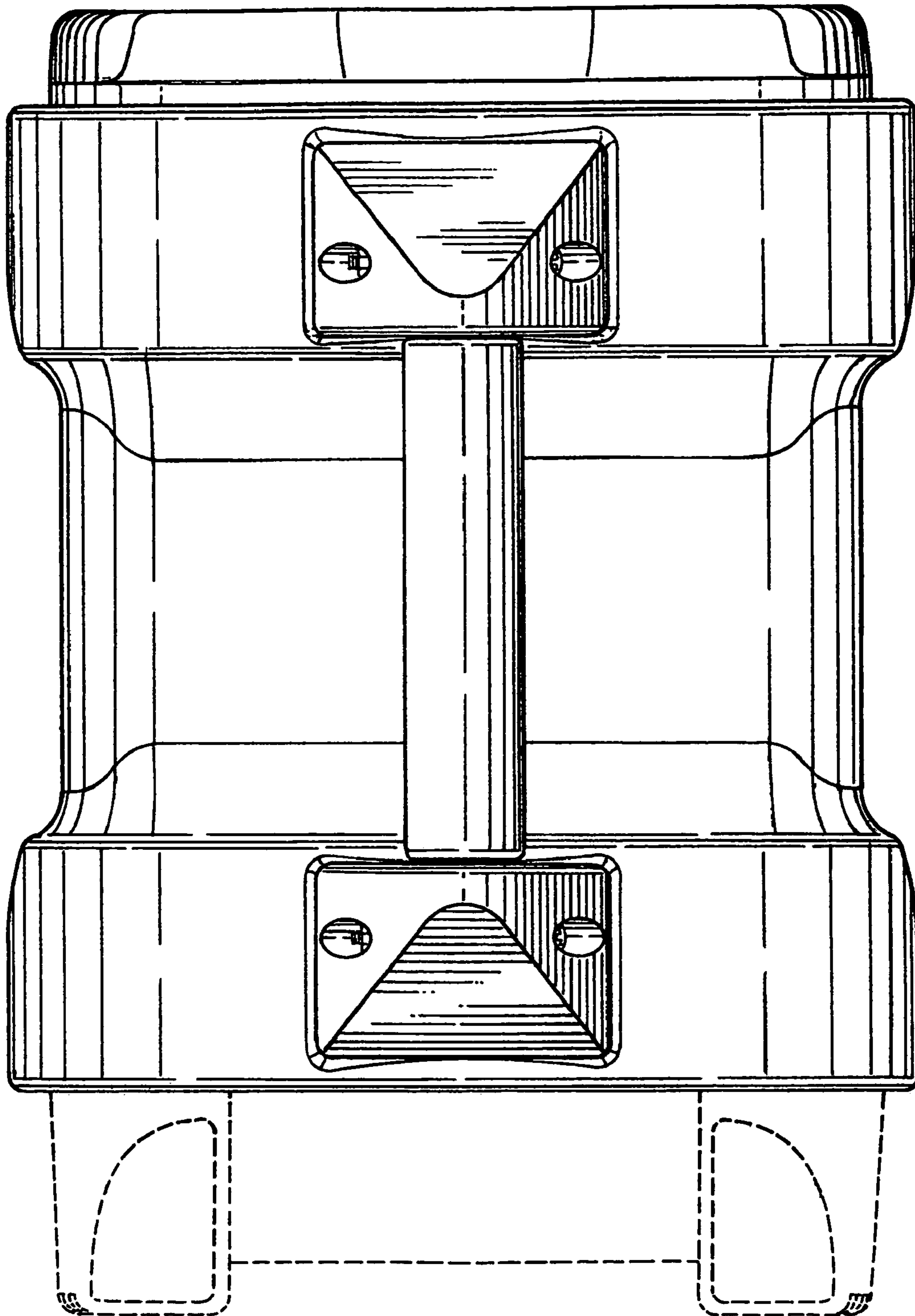
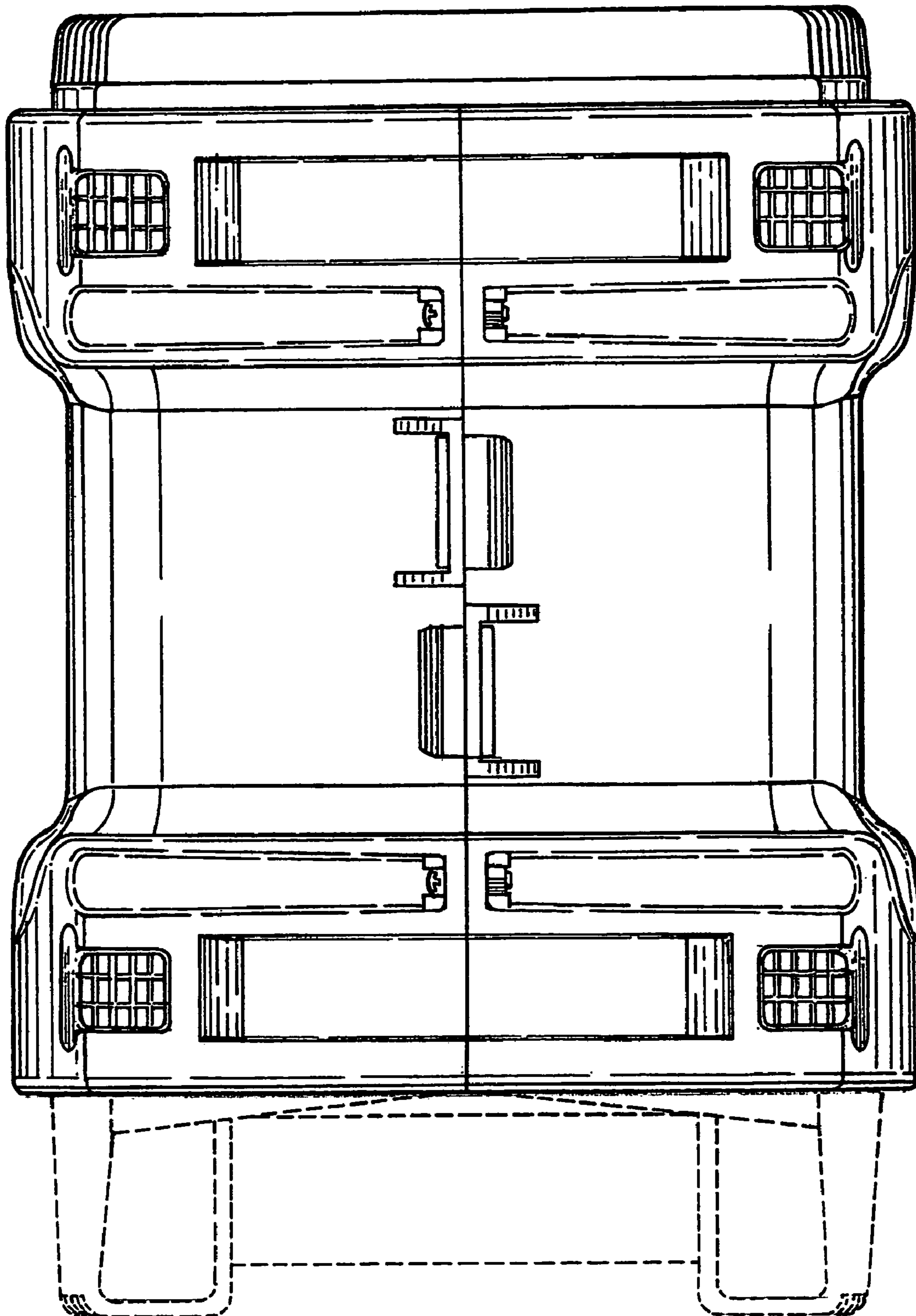


Fig.5



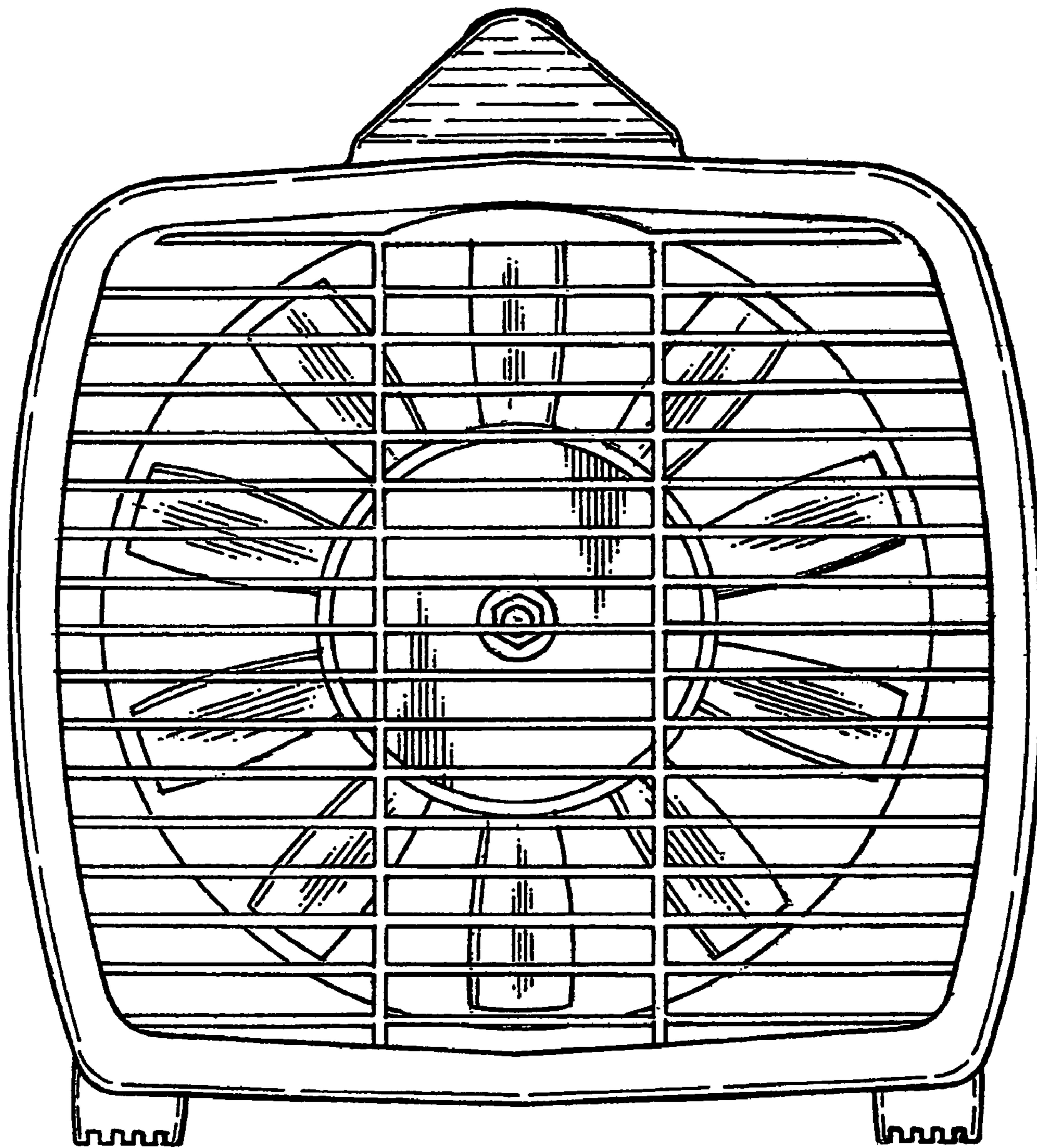


Fig. 6