

US00D549743S

(12) **United States Design Patent**  
**Merghani et al.**

(10) **Patent No.:** **US D549,743 S**

(45) **Date of Patent:** **\*\* Aug. 28, 2007**

(54) **FRONT PORTION OF A MOTOR GRADER**

(75) Inventors: **Mazin M. Merghani**, Decatur, IL (US);  
**Chad Stollenwerk**, Decatur, IL (US);  
**Sarath B. Chirumamila**, Decatur, IL  
(US); **Jeffrey A. Brush**, Dunlap, IL  
(US); **Craig B. Kelley**, Dunlap, IL  
(US); **Michael T. Balthes**, Mt. Pleasant,  
SC (US); **Ashley D. Menges**, Peoria, IL  
(US); **Aaron Stritesky**, Otsego, MN  
(US)

(73) Assignee: **Caterpillar Inc**, Peoria, IL (US)

(\*\*) Term: **14 Years**

(21) Appl. No.: **29/259,028**

(22) Filed: **May 2, 2006**

(51) **LOC (8) Cl.** ..... **15-03**

(52) **U.S. Cl.** ..... **D15/33; D15/23**

(58) **Field of Classification Search** ..... D15/10-12,  
D15/19, 21-23, 28, 30-33; 180/238, 264,  
180/267, 420; 172/781-785, 1, 788, 776,  
172/790, 430, 611, 792; D21/537  
See application file for complete search history.

(56) **References Cited**

**U.S. PATENT DOCUMENTS**

2,081,536	A *	5/1937	Gustafson	172/793
D184,216	S *	1/1959	Erlacher et al.	D15/23
D188,840	S *	9/1960	Beyer et al.	D15/23
2,965,990	A *	12/1960	Colee	172/4.5
3,049,819	A *	8/1962	Cohron et al.	37/430
3,197,188	A *	7/1965	Moore	267/175
3,327,413	A *	6/1967	Brinkmeyer et al.	172/785
3,450,213	A *	6/1969	Hanser et al.	172/785
3,454,109	A *	7/1969	Roberts	172/781
3,527,315	A *	9/1970	Hampton	180/238
3,831,693	A *	8/1974	King	180/14.4

3,858,661	A *	1/1975	Hallam et al.	172/1
3,889,976	A *	6/1975	Jesswein	280/400
D238,955	S *	2/1976	Peterson	D21/537
3,976,146	A *	8/1976	Desourdy	172/788
4,213,507	A *	7/1980	Horrer et al.	172/784
D275,107	S *	8/1984	Crabiel et al.	D15/25
4,535,860	A *	8/1985	Waggoner	180/24.05
4,679,634	A *	7/1987	Bulmahn	172/250
4,696,486	A *	9/1987	Ruhter	280/400
5,474,147	A *	12/1995	Yesel et al.	180/197
6,230,818	B1 *	5/2001	Slunder	172/789
D500,056	S *	12/2004	DeYoung et al.	D15/33
6,854,523	B2 *	2/2005	Takahashi	172/3
2002/0060081	A1 *	5/2002	McGugan	172/4.5
2003/0221845	A1 *	12/2003	Takahashi	172/3
2004/0149463	A1 *	8/2004	Maeda et al.	172/297
2005/0252669	A1 *	11/2005	LaReau et al.	172/776

\* cited by examiner

*Primary Examiner*—Stella Reid

*Assistant Examiner*—Mark Goodwin

(74) *Attorney, Agent, or Firm*—Finnegan, Henderson,  
Farabow, Garrett & Dunner

(57) **CLAIM**

The ornamental design for a front portion of a motor grader,  
as shown and described.

**DESCRIPTION**

FIG. 1 is a top left rear perspective view of a front portion  
of a motor grader showing our new design;

FIG. 2 is a top view thereof;

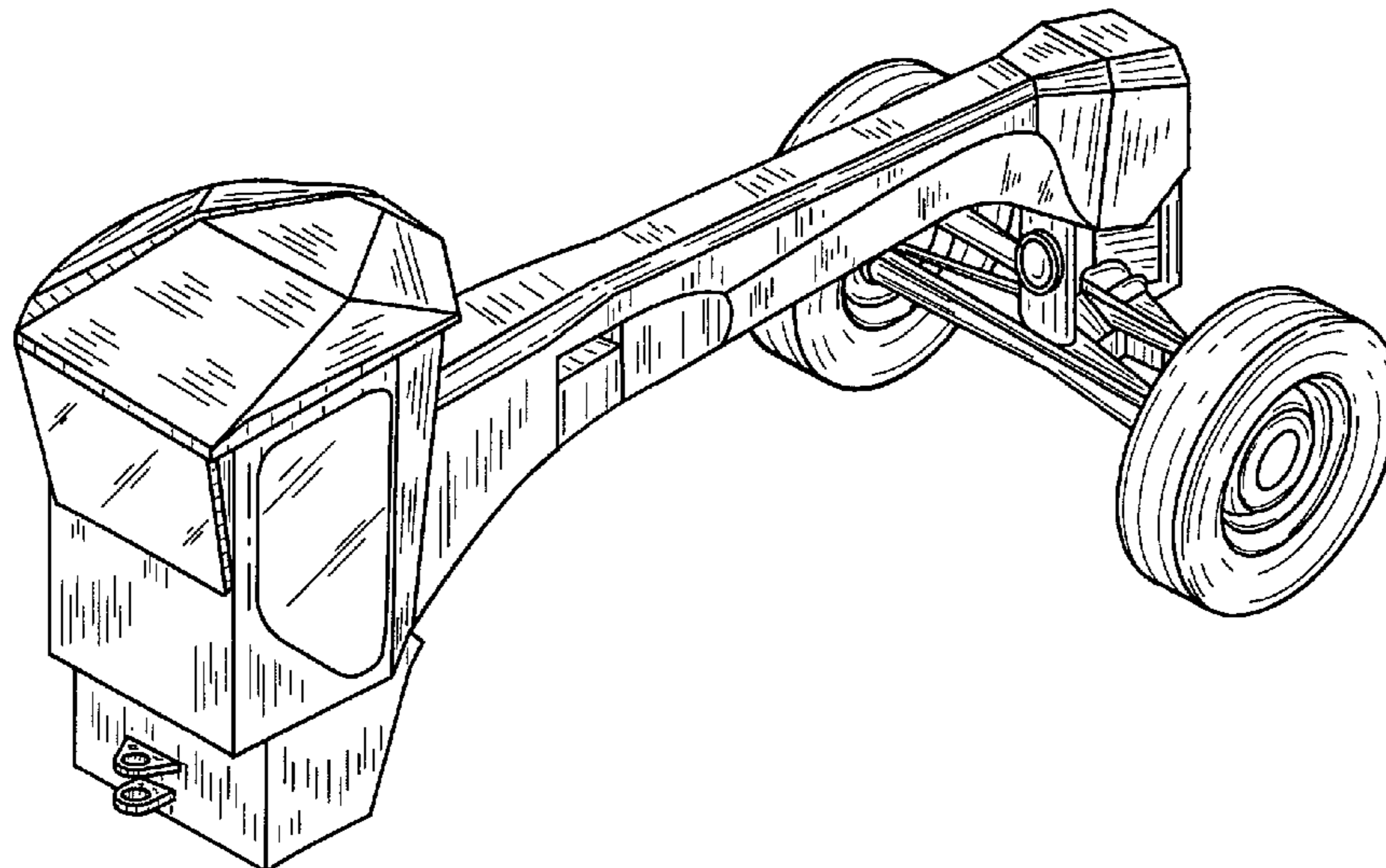
FIG. 3 is a right side view thereof;

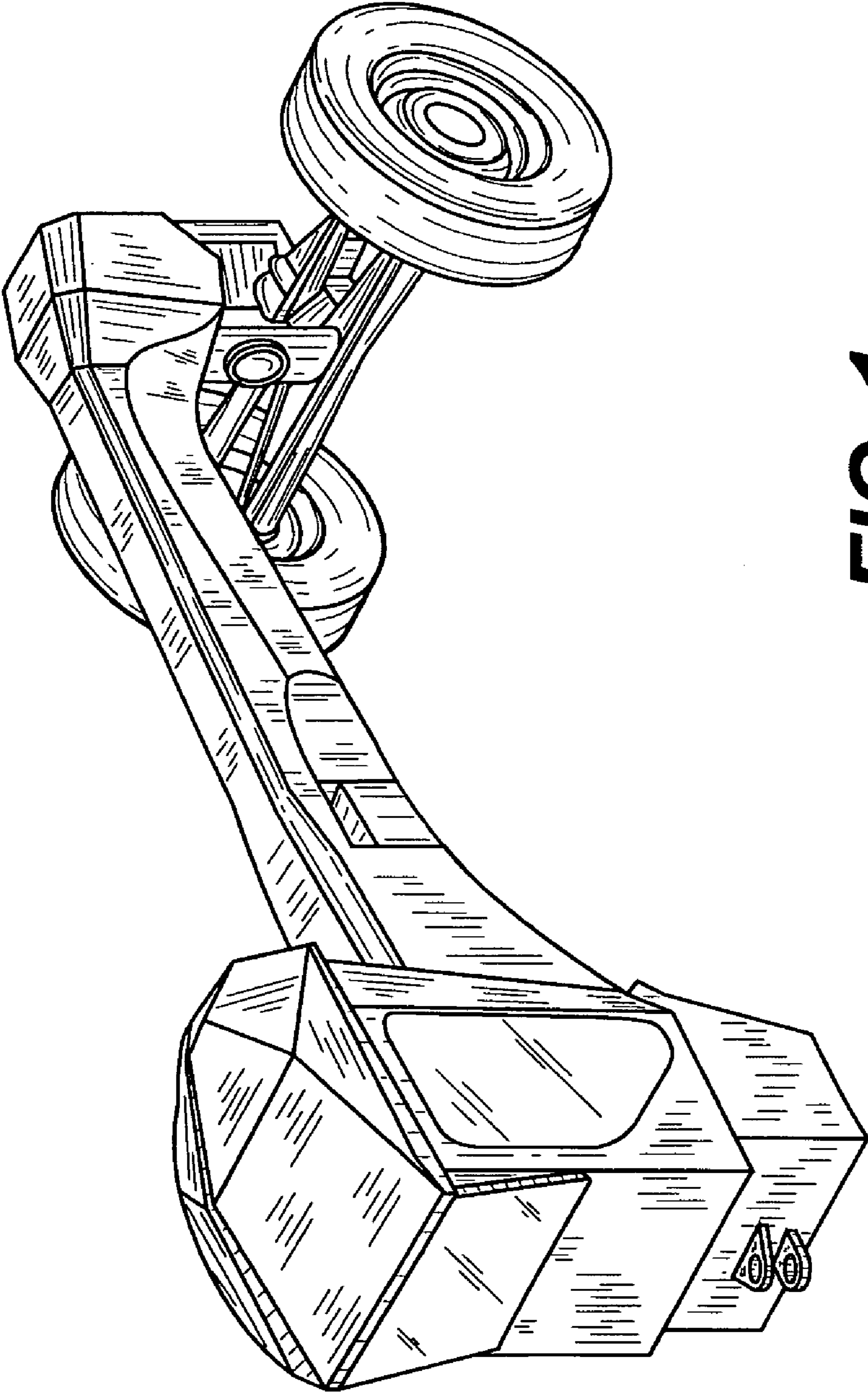
FIG. 4 is a left side view thereof;

FIG. 5 is a front view thereof; and,

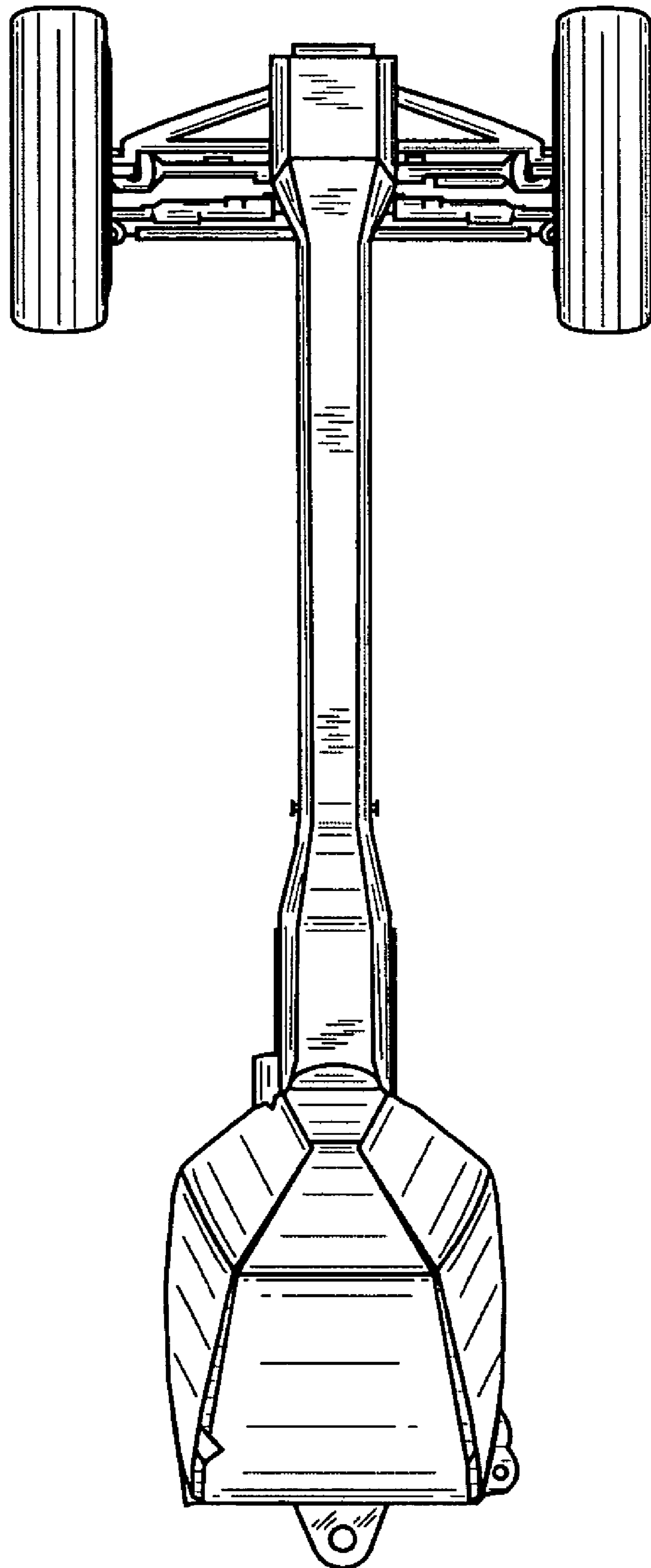
FIG. 6 is a rear view thereof.

**1 Claim, 4 Drawing Sheets**

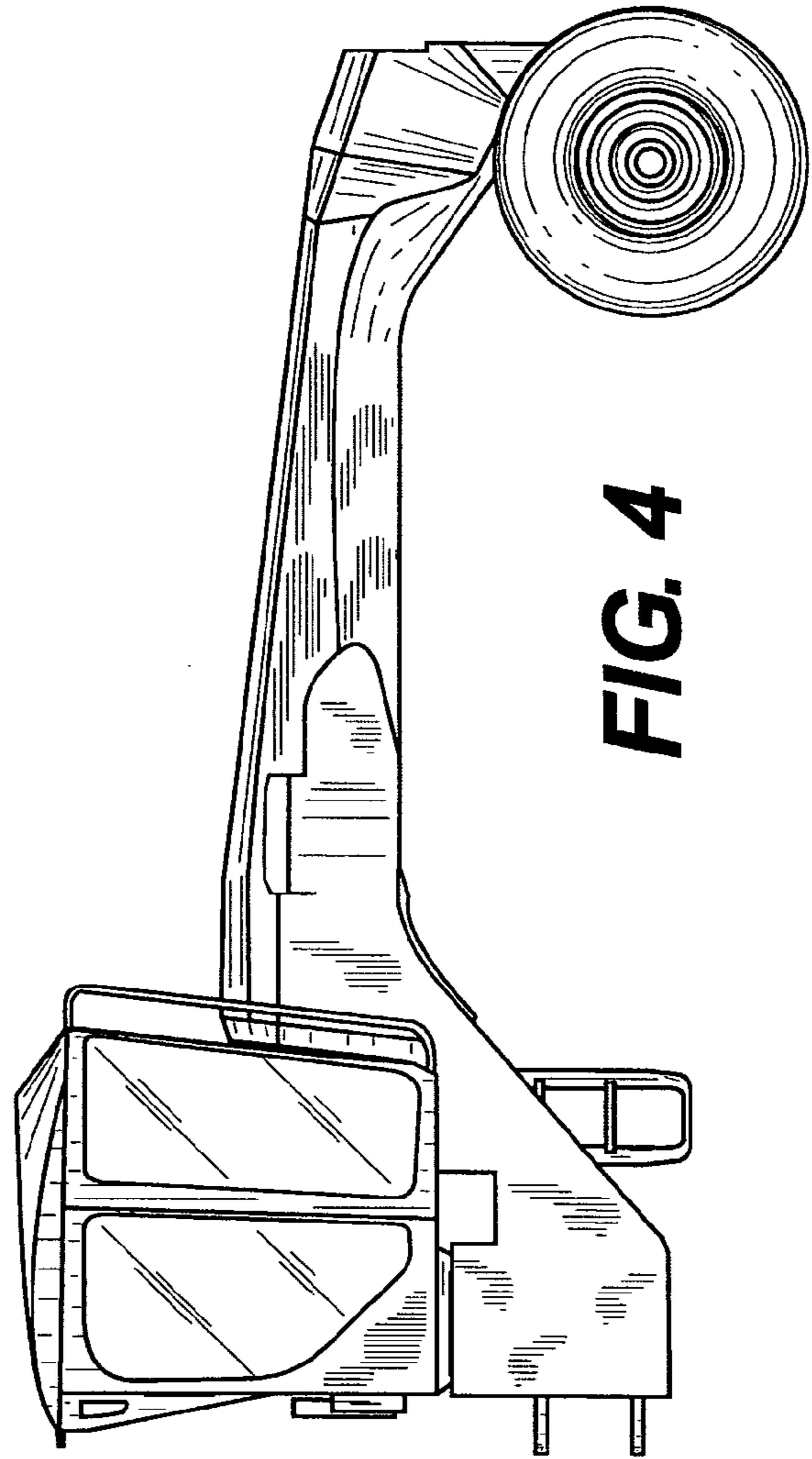
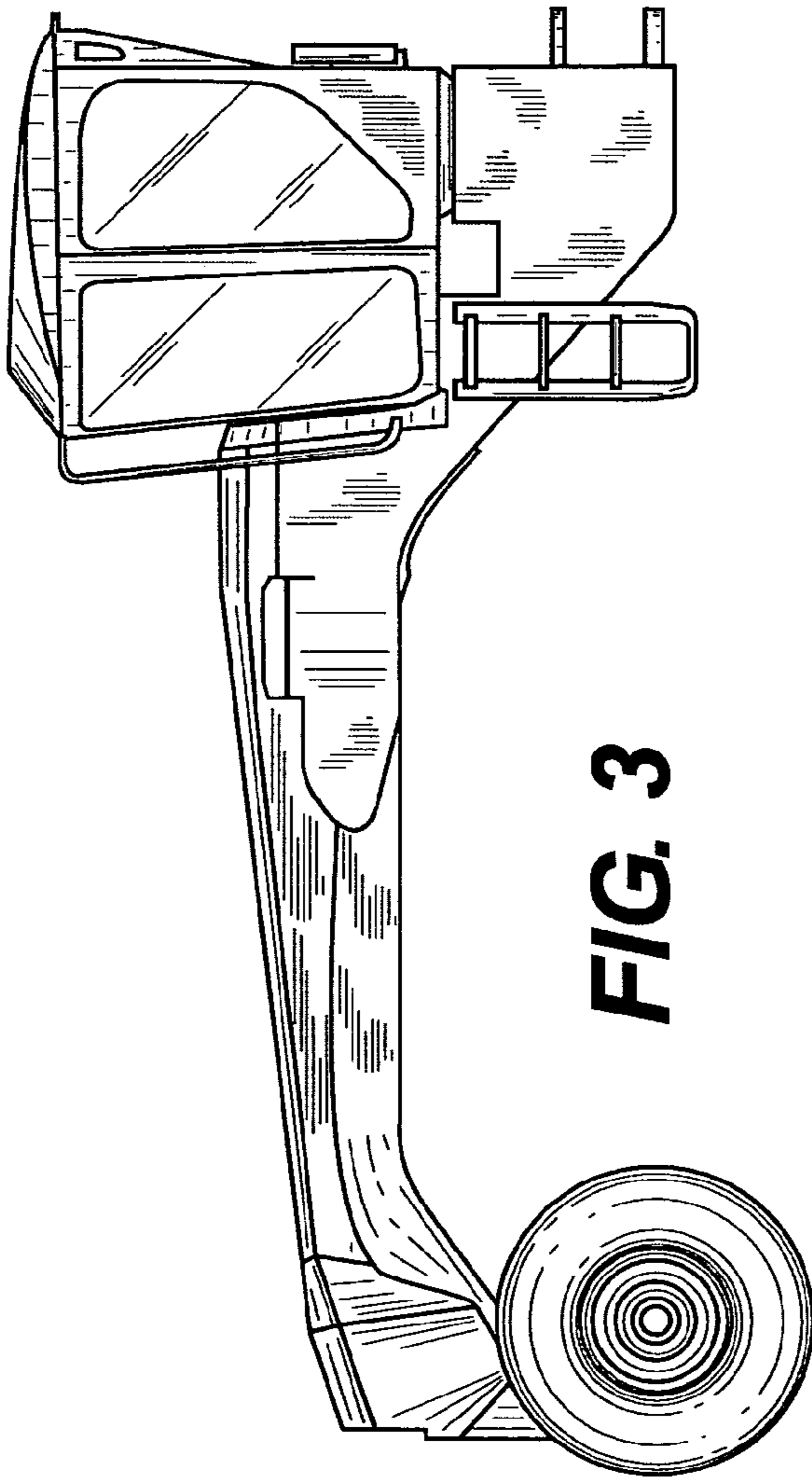


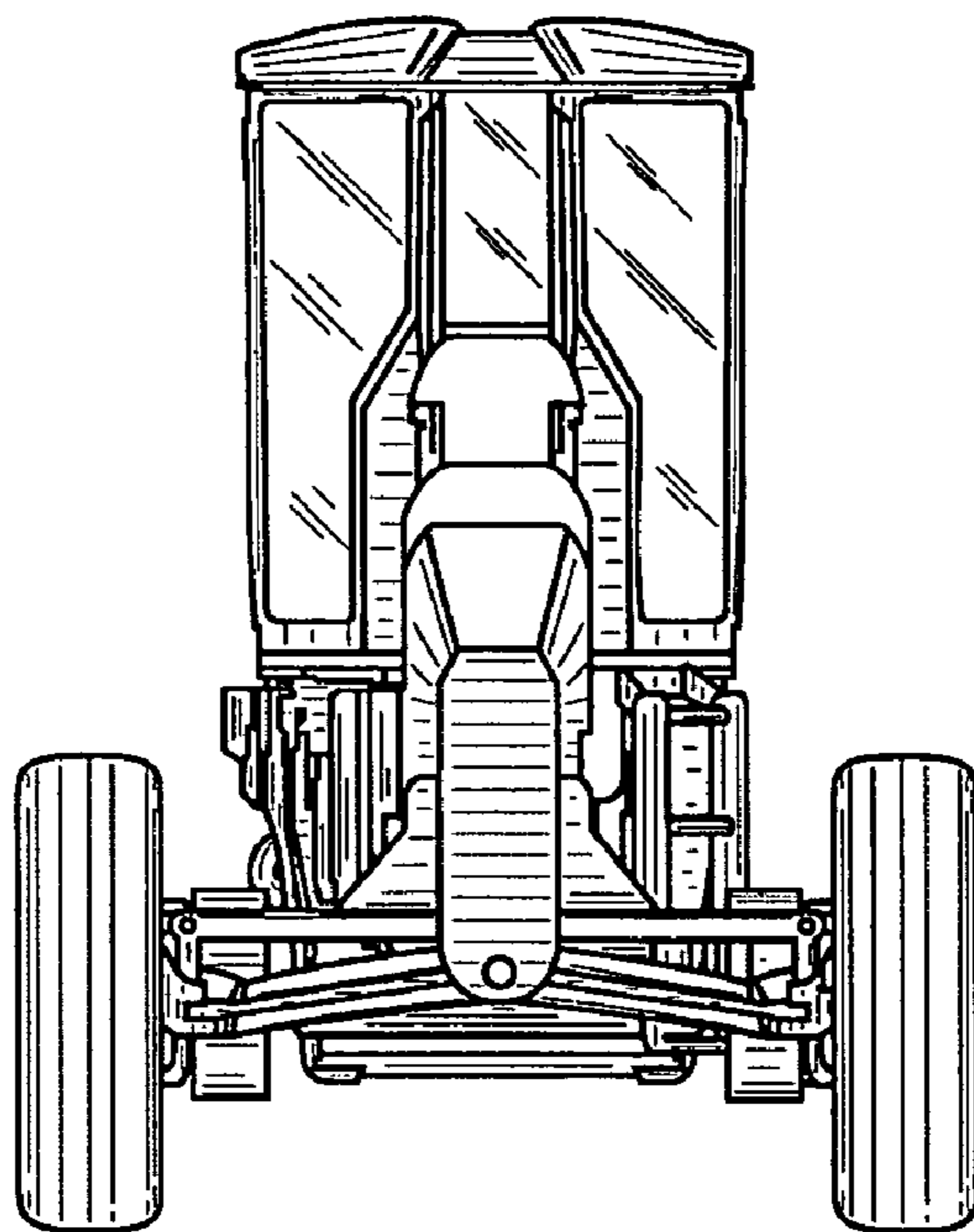


**FIG. 1**

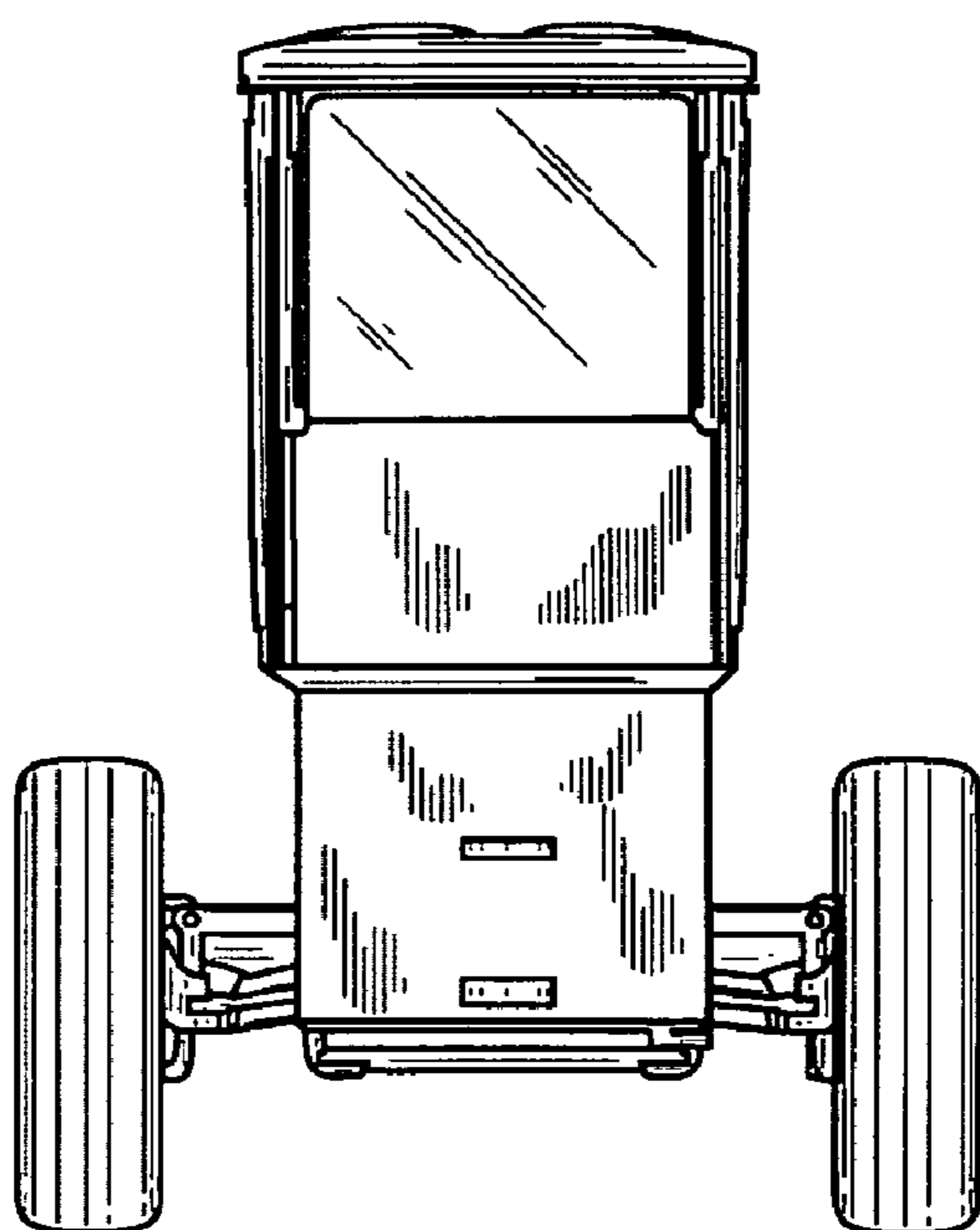


**FIG. 2**





**FIG. 5**



**FIG. 6**