

US00D549741S

(12) **United States Design Patent**
Tateishi

(10) **Patent No.:** **US D549,741 S**

(45) **Date of Patent:** **** Aug. 28, 2007**

(54) **RUBBER CRAWLER**

(75) Inventor: **Kenji Tateishi**, Chuo-ku (JP)

(73) Assignee: **Bridgestone Corporation**, Tokyo (JP)

(**) Term: **14 Years**

(21) Appl. No.: **29/263,805**

(22) Filed: **Jul. 31, 2006**

(30) **Foreign Application Priority Data**

Jan. 31, 2006 (JP) 2006-002034

(51) **LOC (8) Cl.** **15-03**

(52) **U.S. Cl.** **D15/28**

(58) **Field of Classification Search** D15/22–26,
D15/28; 152/108, 62, 88; 305/35, 44, 185,
305/53, 201, 46, 50, 196, 198, 200, 39, 162;
D21/431, 484, 491, 495, 537

See application file for complete search history.

(56) **References Cited**

U.S. PATENT DOCUMENTS

| | | | | |
|----------------|---------|------------------|-------|---------|
| D59,422 S * | 10/1921 | Johnson | | D15/28 |
| D186,214 S * | 9/1959 | Francis | | D15/28 |
| D231,385 S * | 4/1974 | Plastino | | D15/28 |
| D233,320 S * | 10/1974 | Svensson | | D15/28 |
| 6,079,802 A * | 6/2000 | Nishimura et al. | | 305/157 |
| 6,106,083 A * | 8/2000 | Ono | | 305/171 |
| 6,176,557 B1 * | 1/2001 | Ono | | 305/177 |
| D454,890 S * | 3/2002 | Tsuru | | D15/28 |
| D455,444 S * | 4/2002 | Tsuru | | D15/28 |
| D472,905 S * | 4/2003 | Feldmann | | D15/28 |
| D474,205 S * | 5/2003 | Feldmann | | D15/28 |
| D484,515 S * | 12/2003 | Nishimura | | D15/28 |

| | | | | |
|-------------------|---------|----------------|-------|---------|
| D496,051 S * | 9/2004 | Yoshida | | D15/28 |
| 2004/0066090 A1 * | 4/2004 | Akiyama et al. | | 305/165 |
| 2005/0168069 A1 * | 8/2005 | Ueno | | 305/171 |
| 2005/0173983 A1 * | 8/2005 | Nishimura | | 305/157 |
| 2005/0218722 A1 * | 10/2005 | Kurokawa | | 305/171 |
| 2006/0061212 A1 * | 3/2006 | Uchiyama | | 305/167 |

* cited by examiner

Primary Examiner—Stella Reid

Assistant Examiner—Mark Goodwin

(74) *Attorney, Agent, or Firm*—Sughrue Mion, PLLC

(57) **CLAIM**

The ornamental design for a rubber crawler, as shown and described.

DESCRIPTION

FIG. 1 is a perspective view of a rubber crawler showing my new design.

FIG. 2 is a front elevation view thereof.

FIG. 3 is a rear elevation view thereof.

FIG. 4 is a top plan view thereof.

FIG. 5 is a bottom plan view thereof.

FIG. 6 is a left side elevation view thereof.

FIG. 7 is a right side elevation view thereof.

FIG. 8 is a cross-sectional view thereof taken along line 8—8 in FIG. 2.

FIG. 9 is a cross-sectional view thereof taken along line 9—9 in FIG. 2; and,

FIG. 10 is a cross-sectional view thereof taken along line 10—10 in FIG. 2.

1 Claim, 10 Drawing Sheets

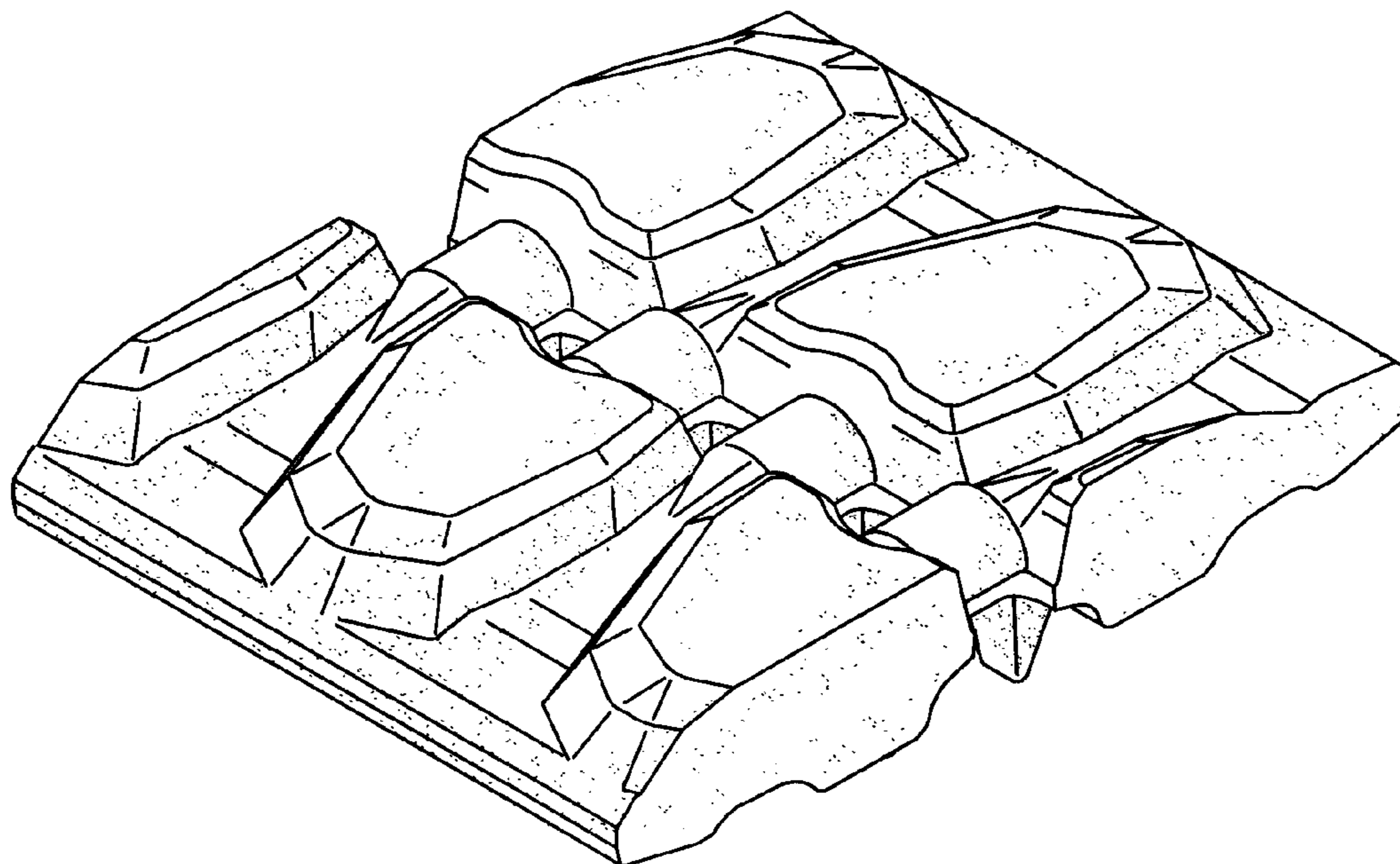


FIG. 1

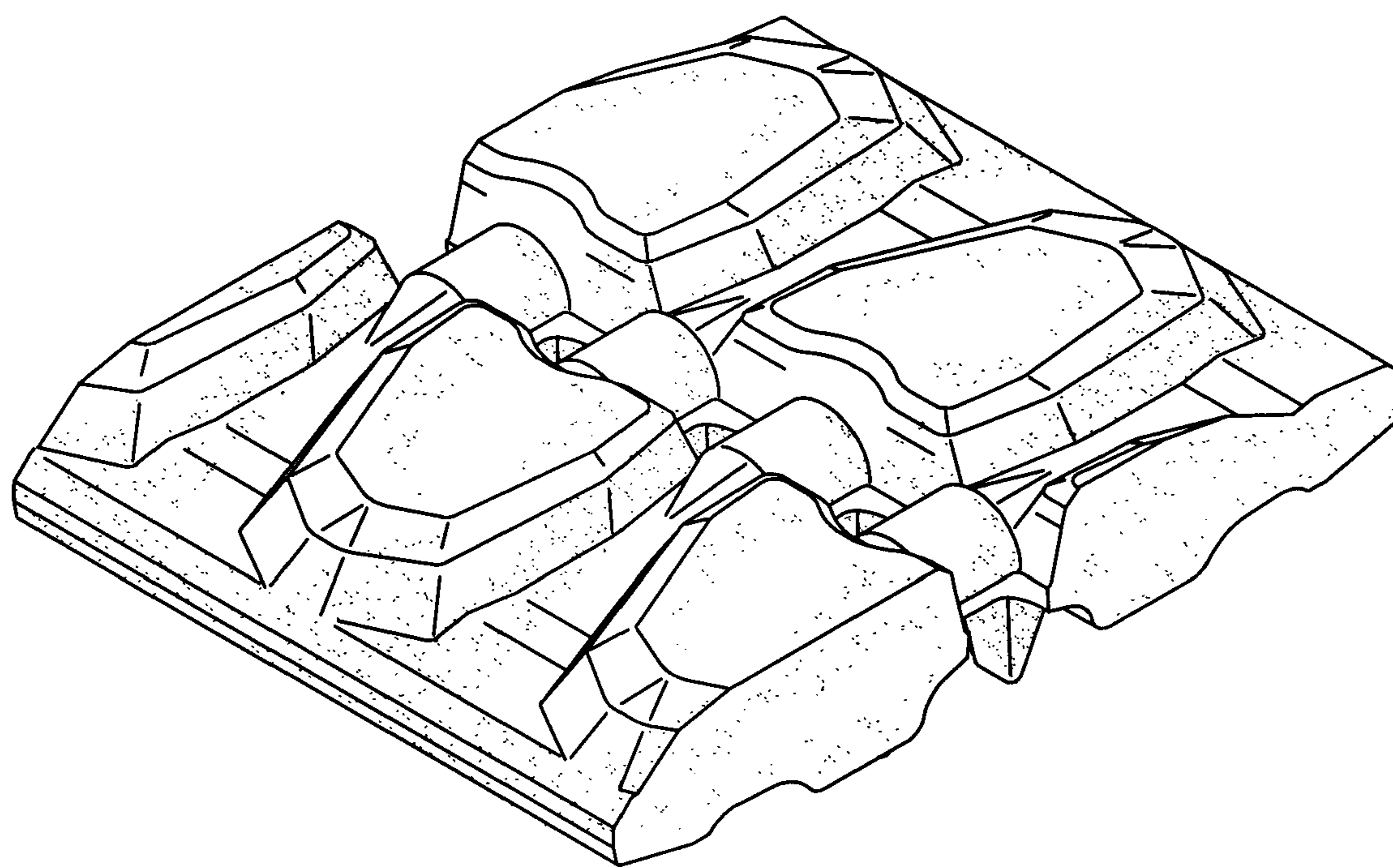


FIG. 2

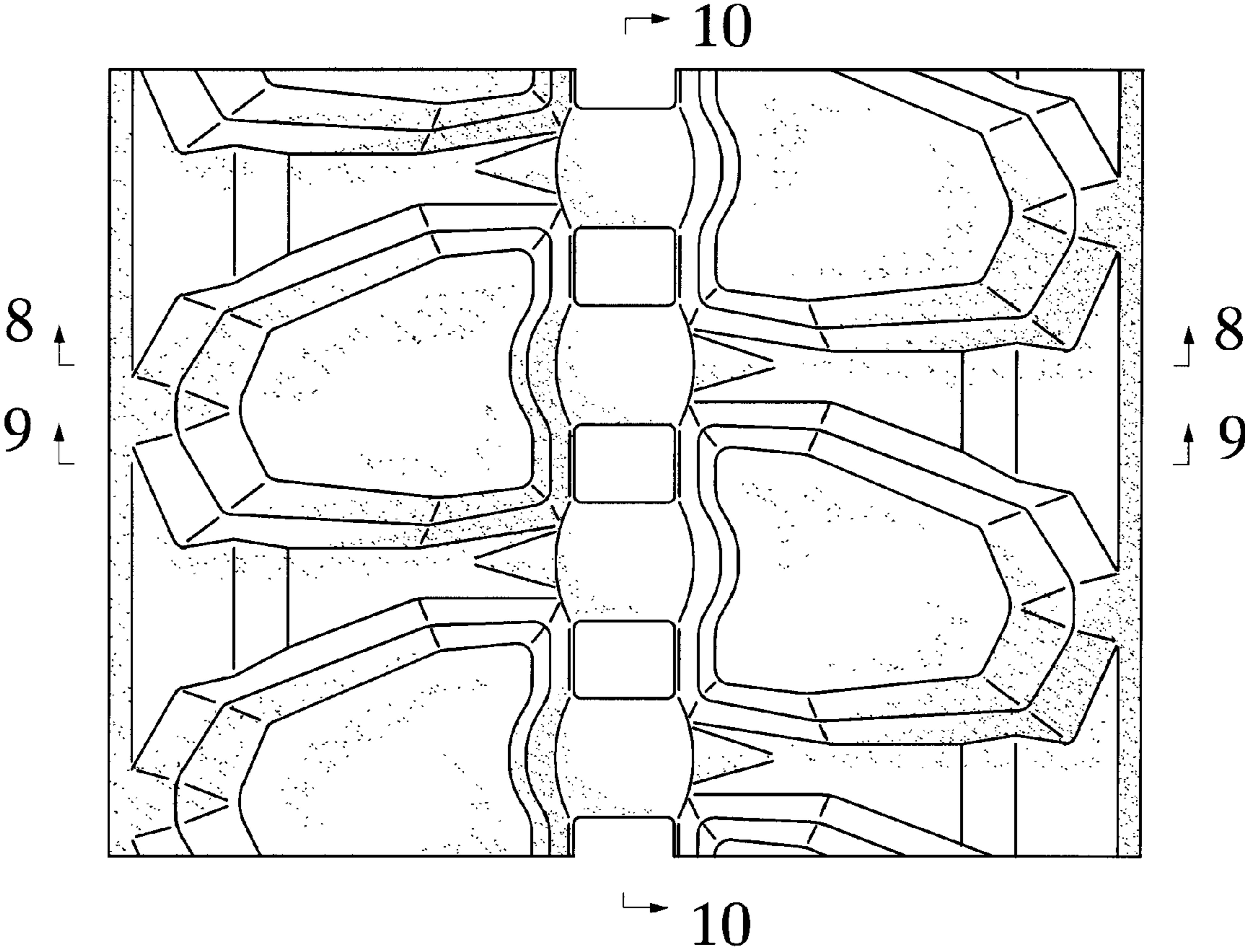


FIG. 3

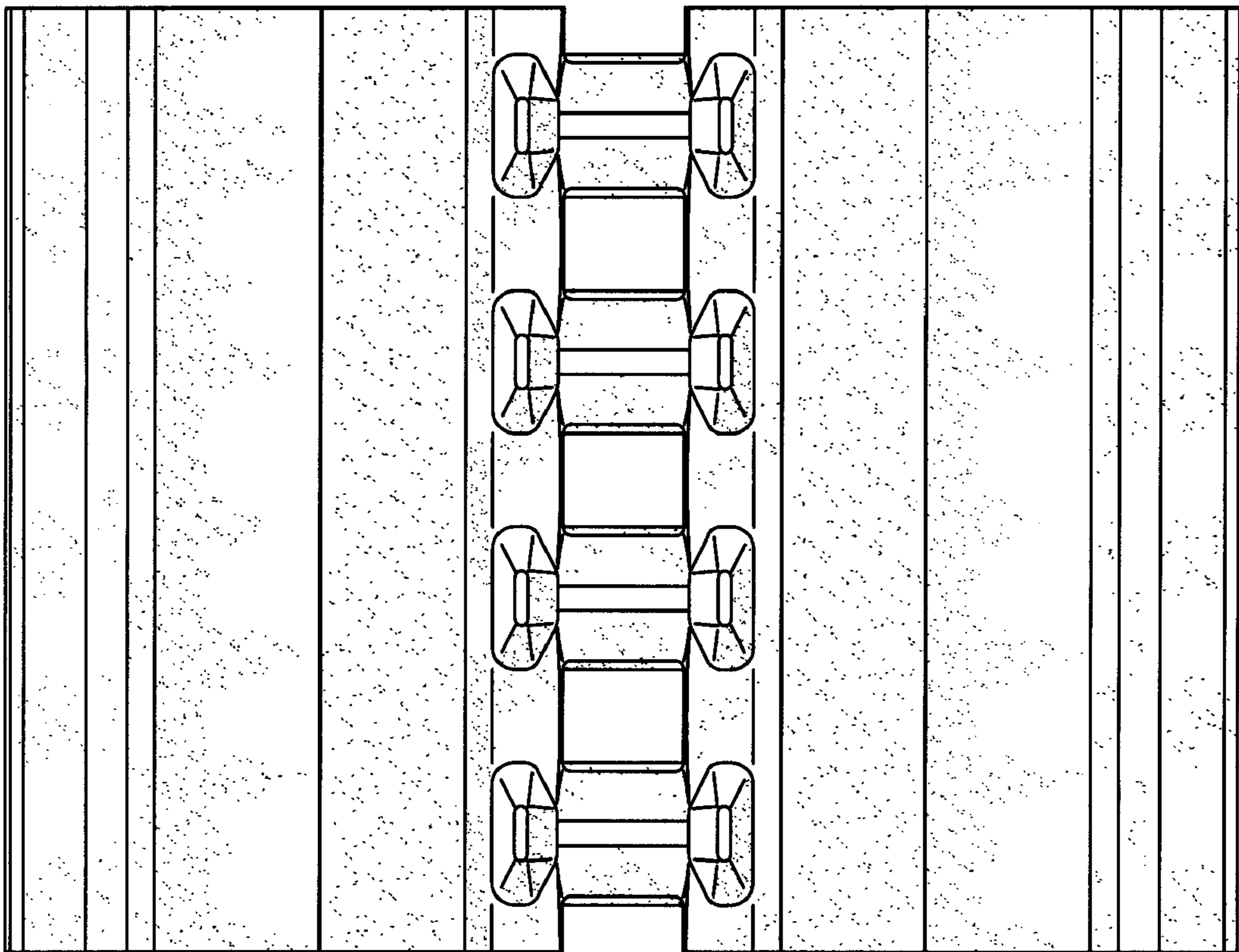


FIG. 4

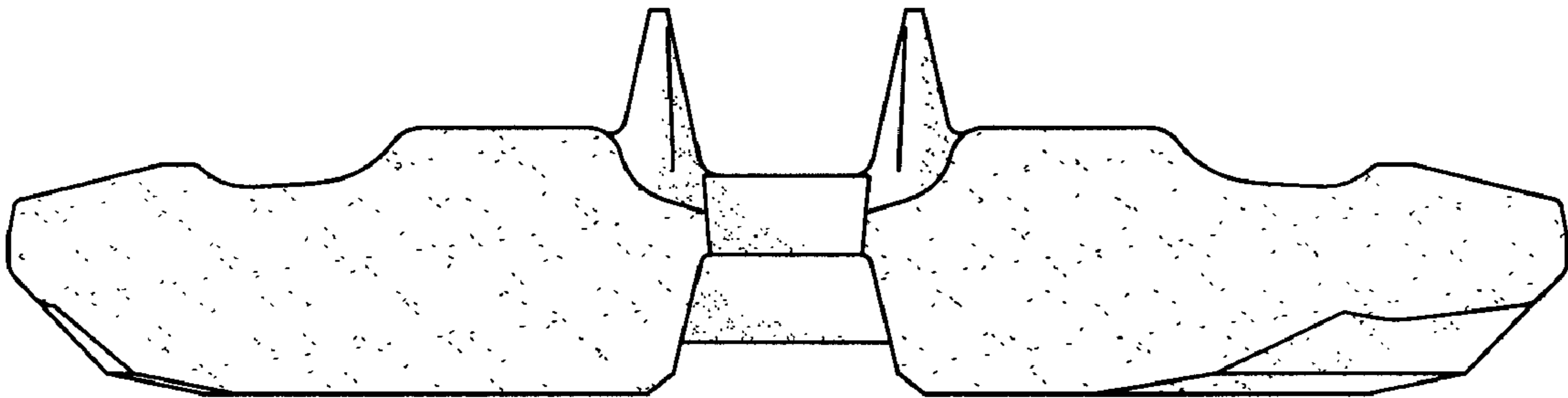


FIG. 5

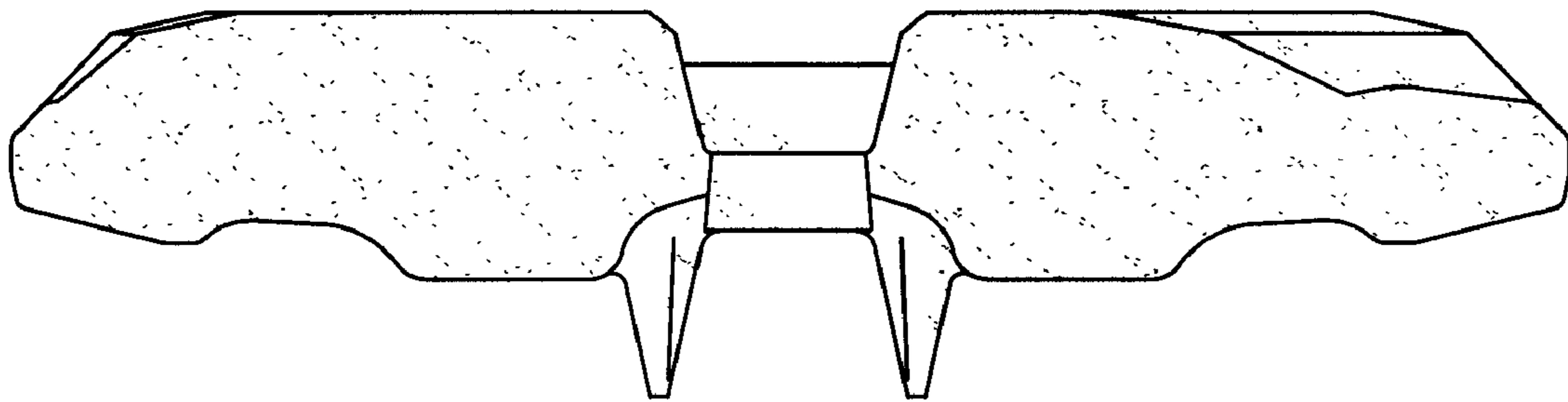


FIG. 6

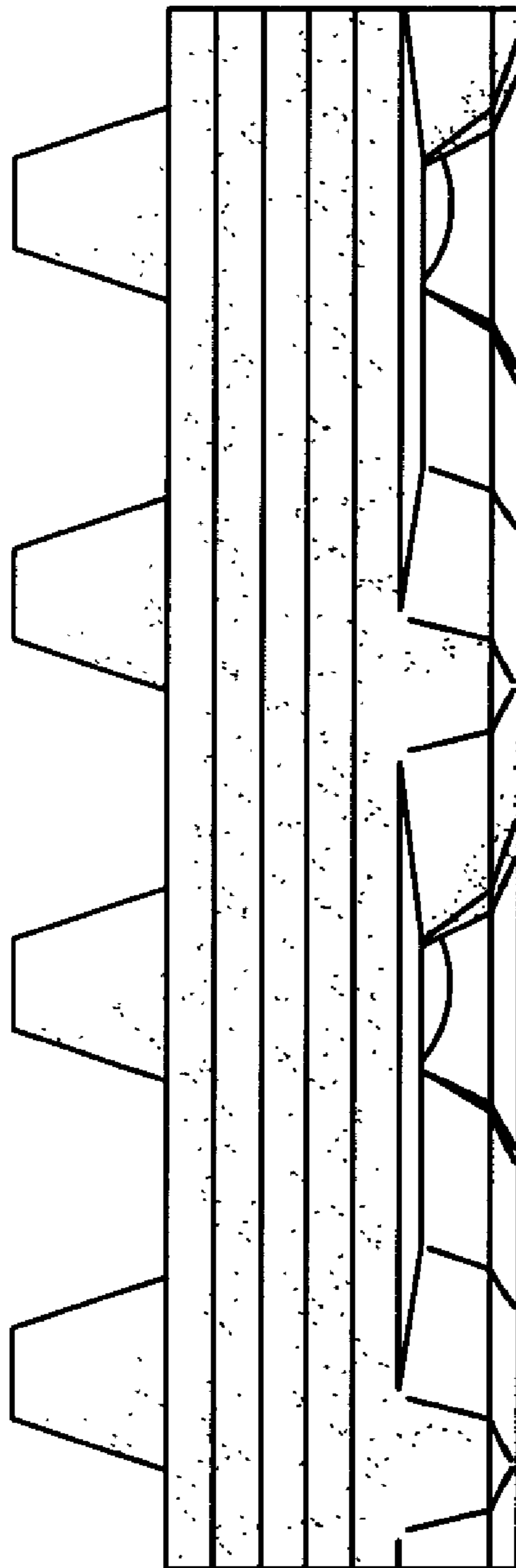


FIG. 7

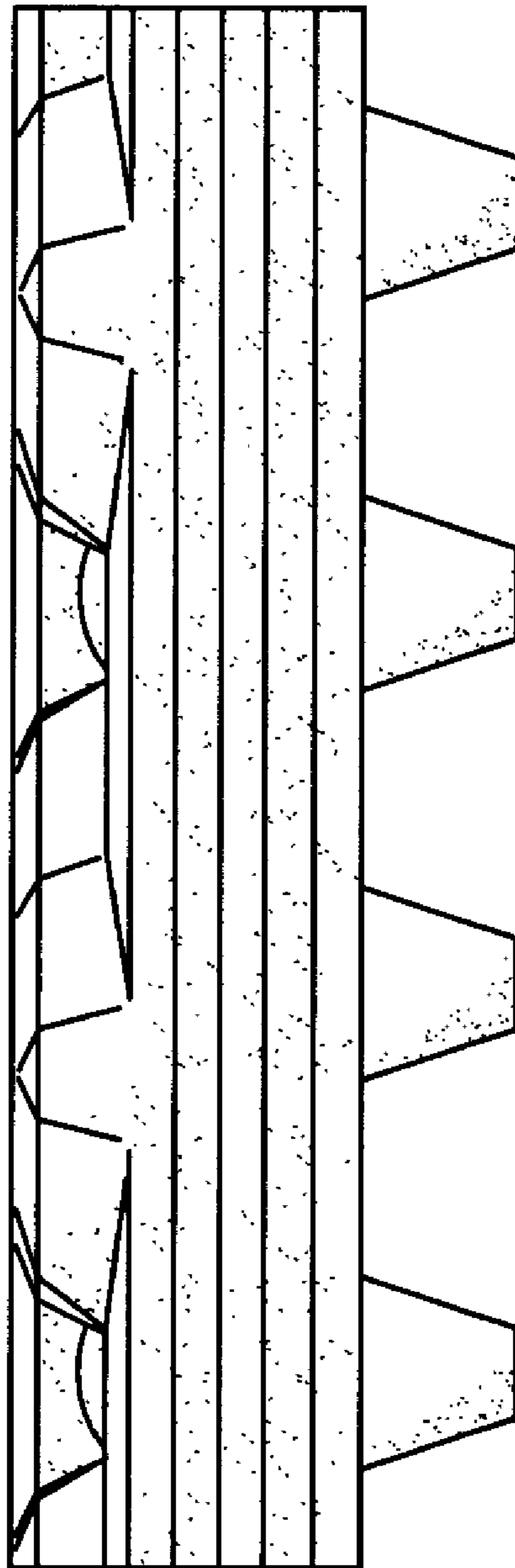


FIG. 8

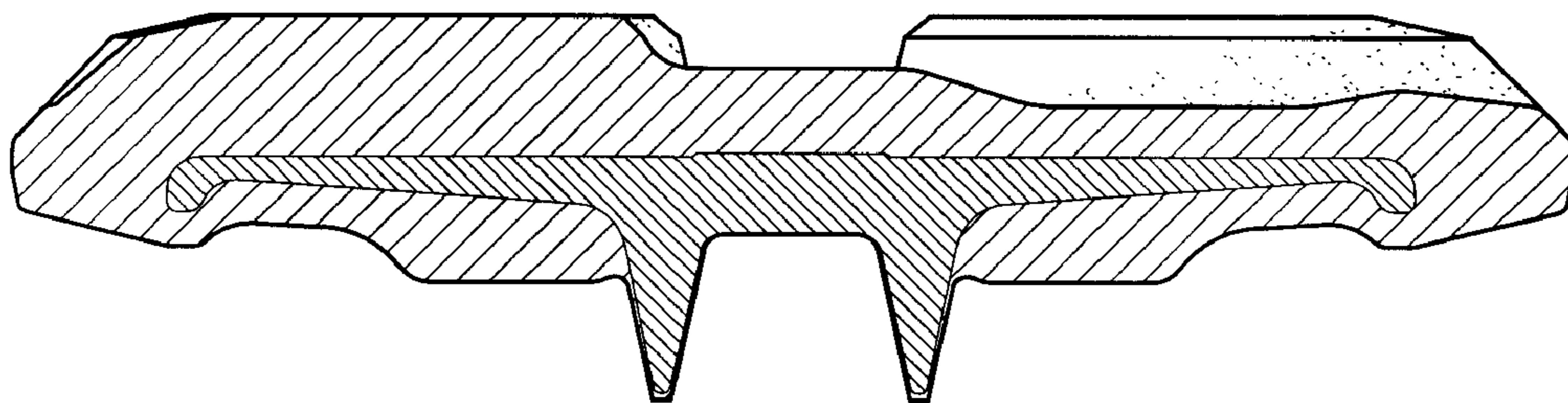


FIG. 9

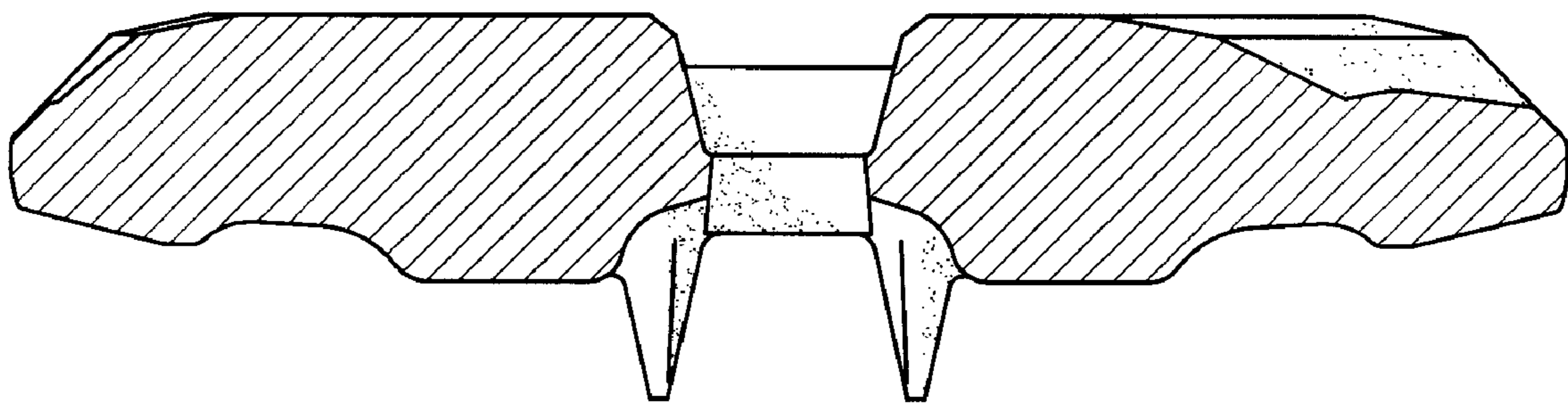


FIG. 10

