

US00D549740S

(12) **United States Design Patent**
Teich

(10) **Patent No.:** **US D549,740 S**

(45) **Date of Patent:** **** Aug. 28, 2007**

(54) **WEIGHT FOR A VEHICLE**

(75) Inventor: **Michael Teich**, Mannheim (DE)

(73) Assignee: **Deere & Company**, Moline, IL (US)

(**) Term: **14 Years**

(21) Appl. No.: **29/260,959**

(22) Filed: **Jun. 5, 2006**

(30) **Foreign Application Priority Data**

Dec. 7, 2005 (EP) 04444054-01/02/03

(51) **LOC (8) Cl.** **15-03**

(52) **U.S. Cl.** **D15/28**

(58) **Field of Classification Search** D15/10,
D15/17, 28, 22-27; D12/169, 410; 414/673,
414/719; 172/611; 212/195; 280/759, 760,
280/758

See application file for complete search history.

(56) **References Cited**

U.S. PATENT DOCUMENTS

D208,300 S * 8/1967 Lokken D15/28
3,492,019 A * 1/1970 Folkerts 280/759
3,944,252 A * 3/1976 Barth 280/759
4,377,300 A * 3/1983 Old 280/758

4,537,423 A * 8/1985 Nau et al. 280/759
5,255,931 A * 10/1993 Hurlburt 280/93.504
5,690,359 A * 11/1997 Teich 280/759
5,690,360 A * 11/1997 Teich 280/759
D436,969 S * 1/2001 Moehle et al. D15/28
6,533,319 B1 * 3/2003 Denby et al. 280/759
2002/0014506 A1 * 2/2002 Teich 224/441

* cited by examiner

Primary Examiner—Stella Reid
Assistant Examiner—Mark Goodwin

(57) **CLAIM**

The ornamental design for a weight for a vehicle, as shown and described.

DESCRIPTION

FIG. 1 is a front perspective view of the weight for a vehicle showing our new design.

FIG. 2 is a front view thereof;

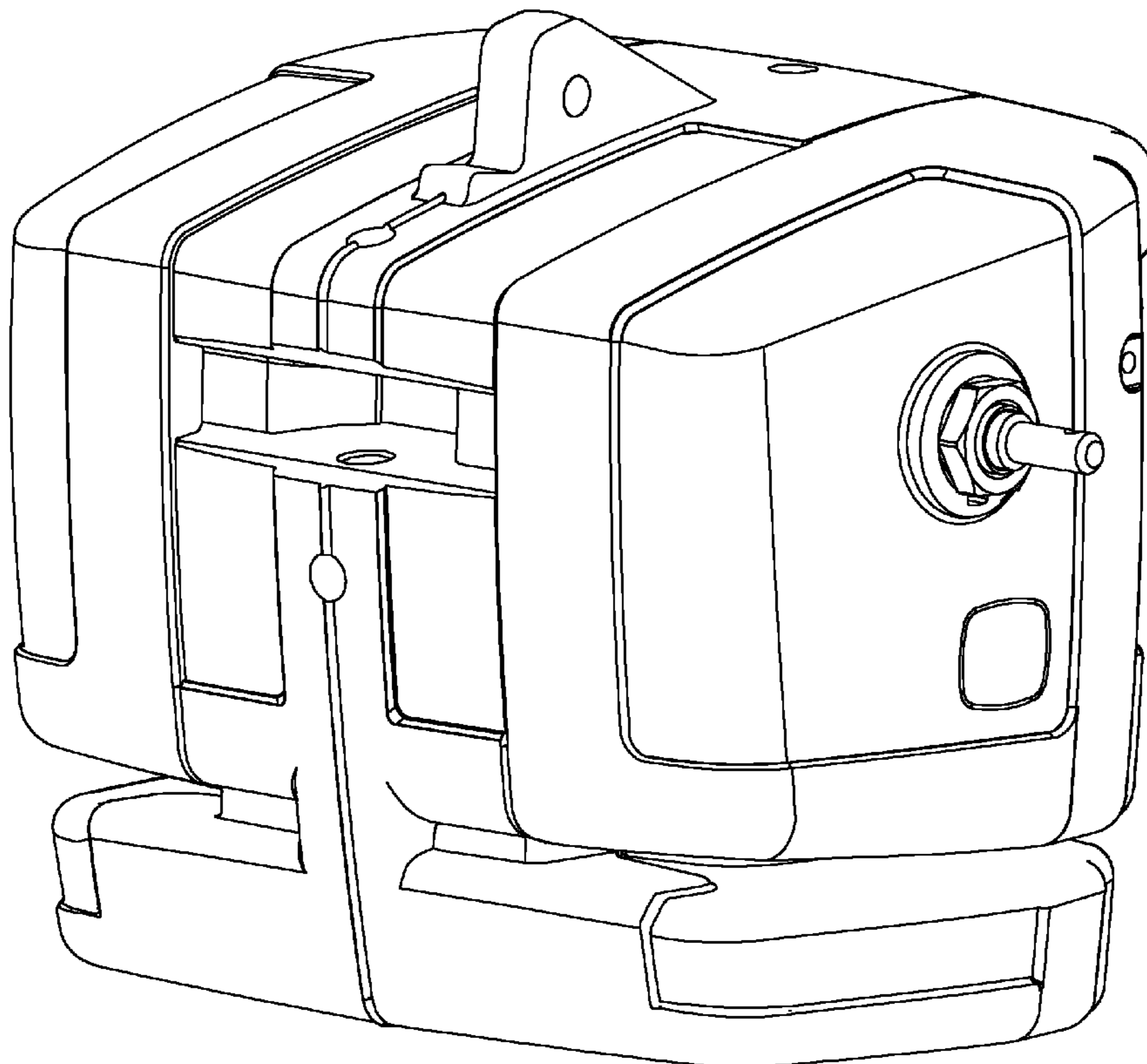
FIG. 3 is a rear view thereof;

FIG. 4 is a side view thereof;

FIG. 5 is an opposite side view thereof; and,

FIG. 6 is a top view thereof.

1 Claim, 6 Drawing Sheets



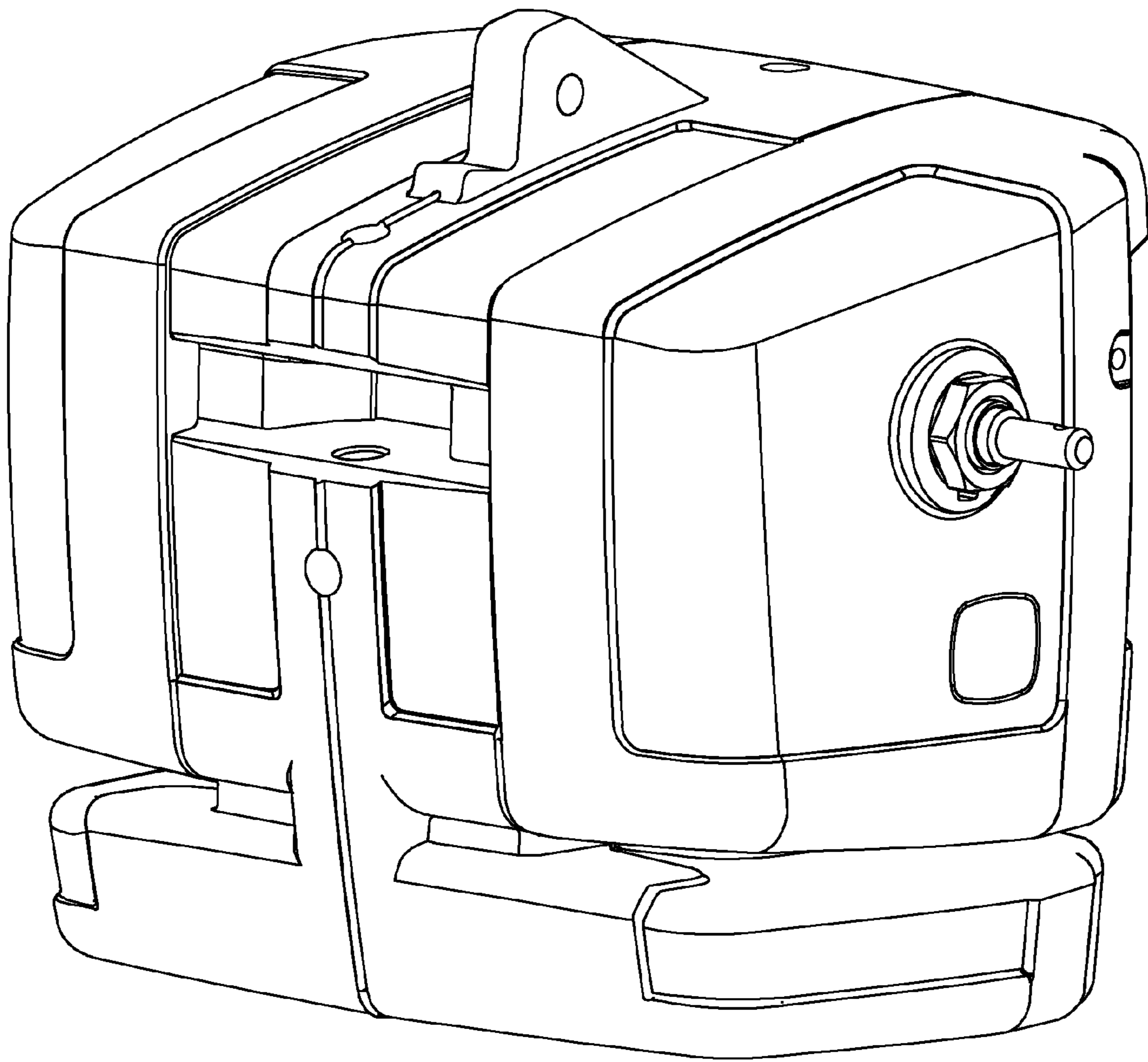


Fig. 1

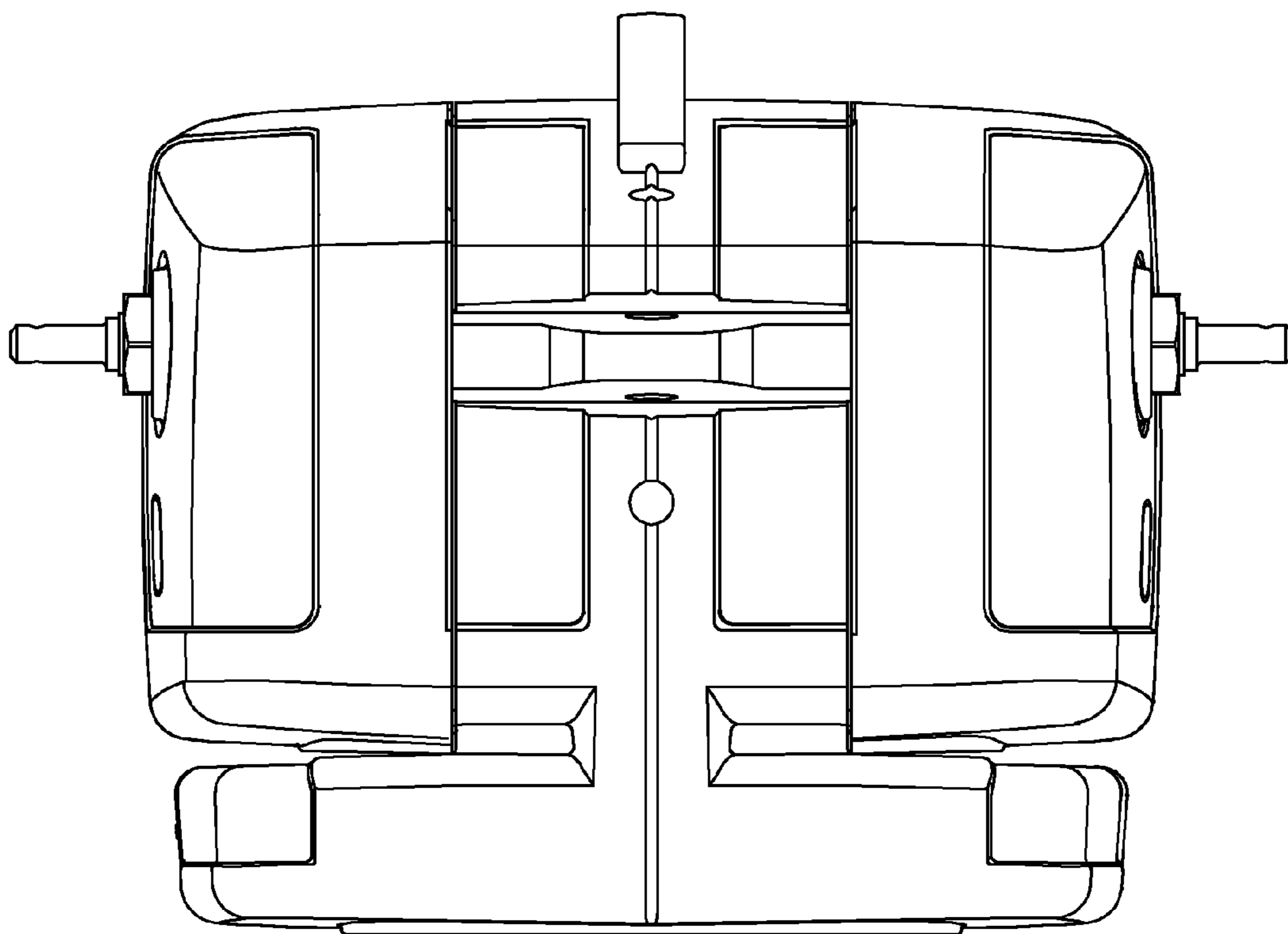


Fig. 2

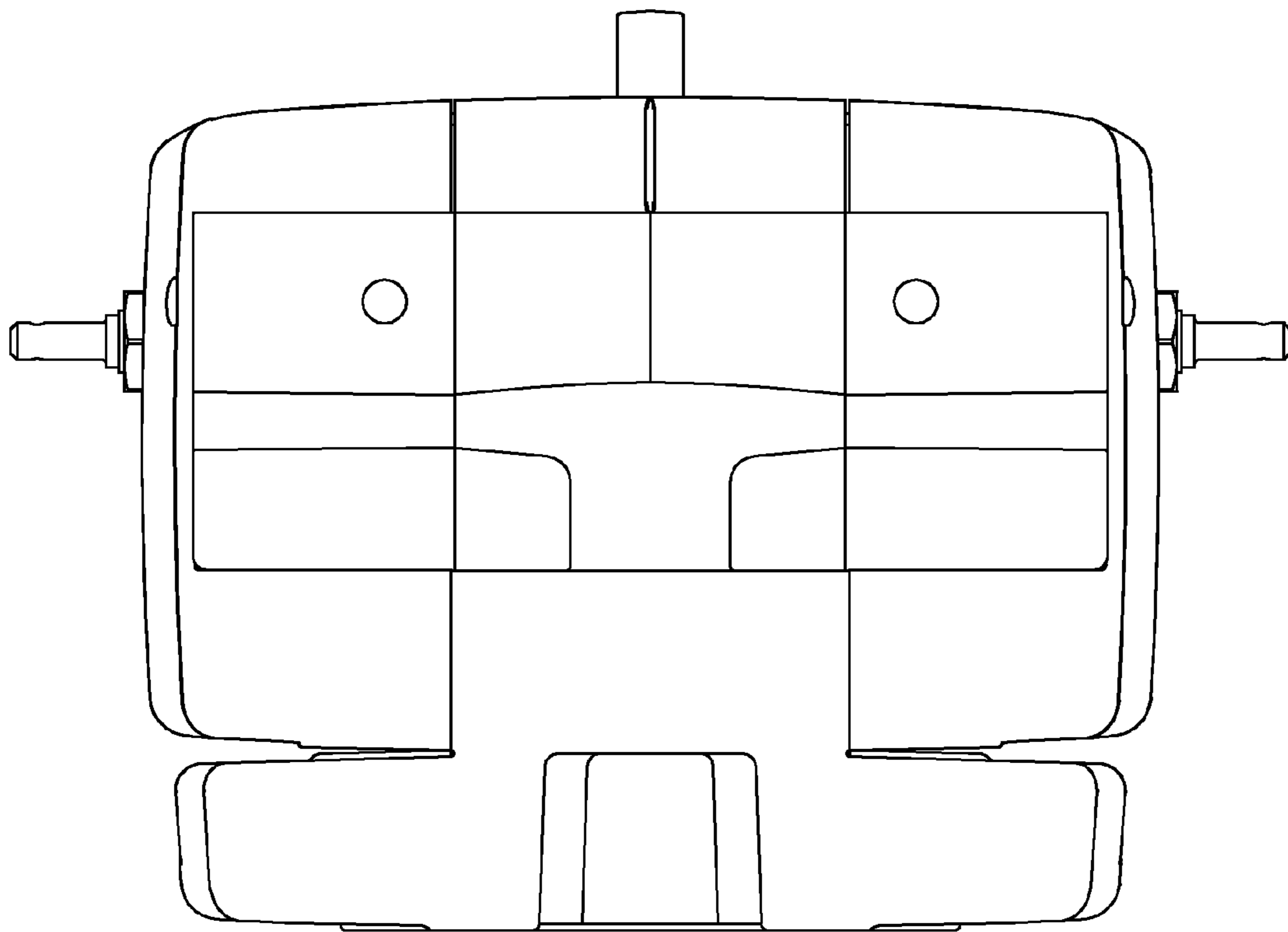


Fig. 3

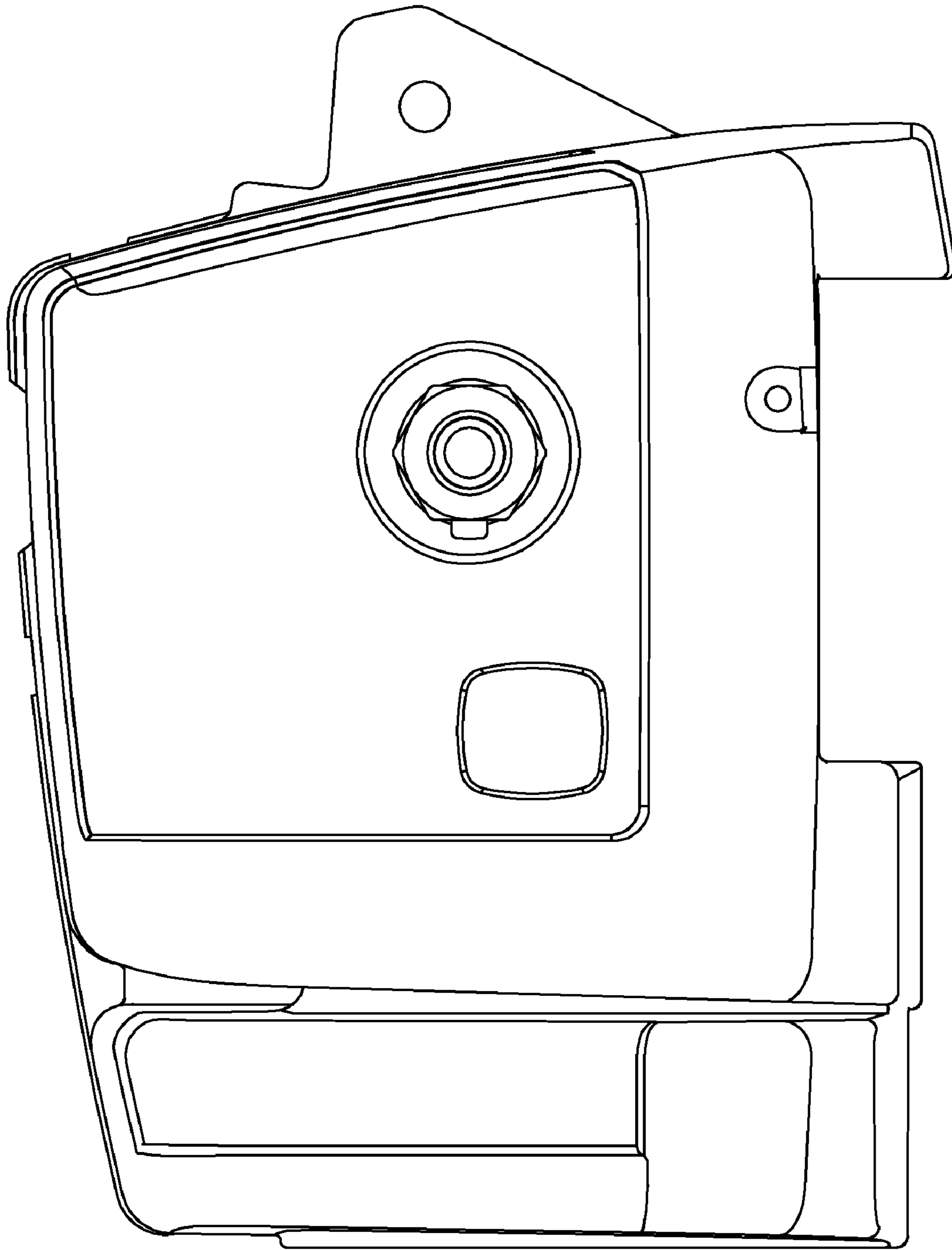


Fig. 4

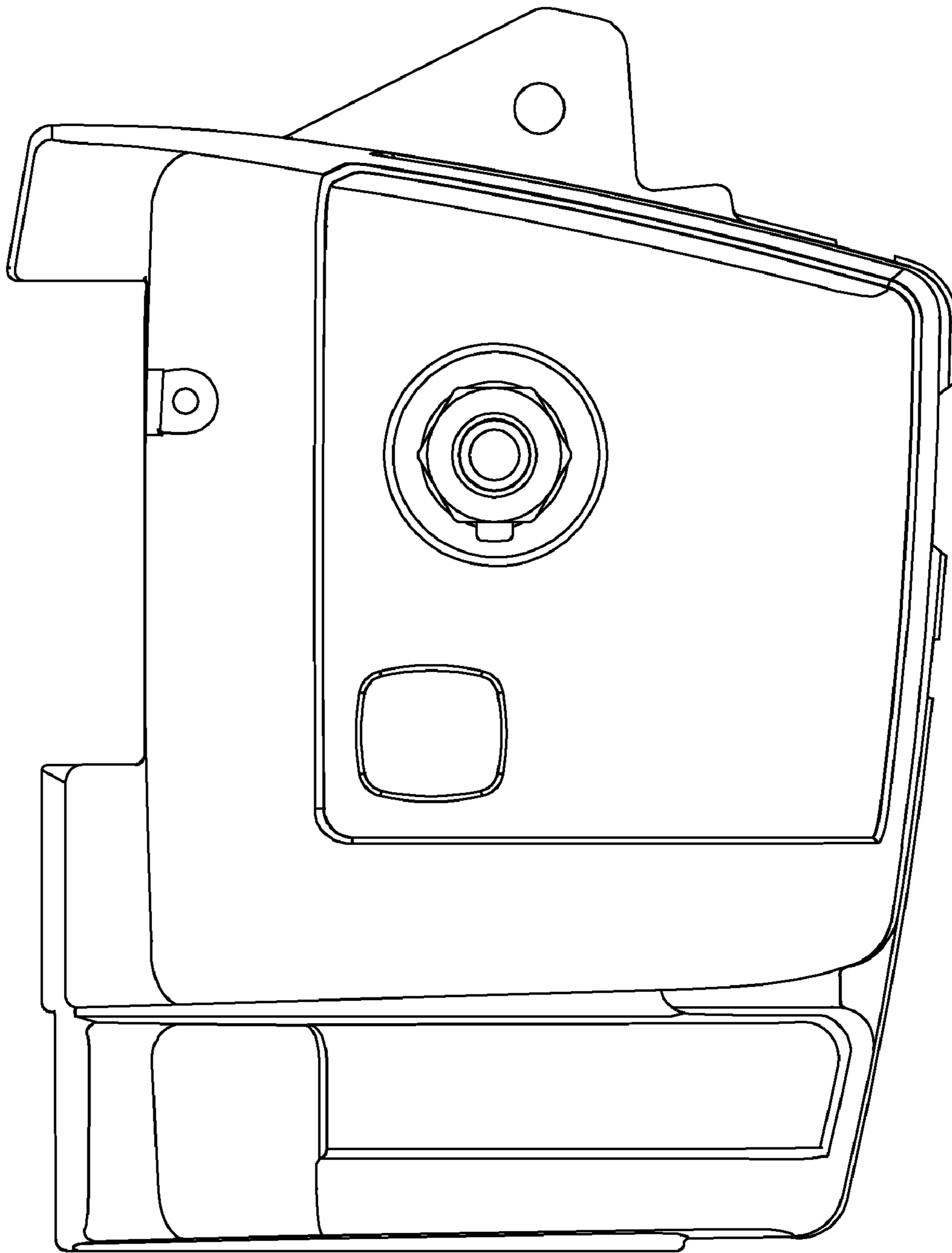


Fig. 5

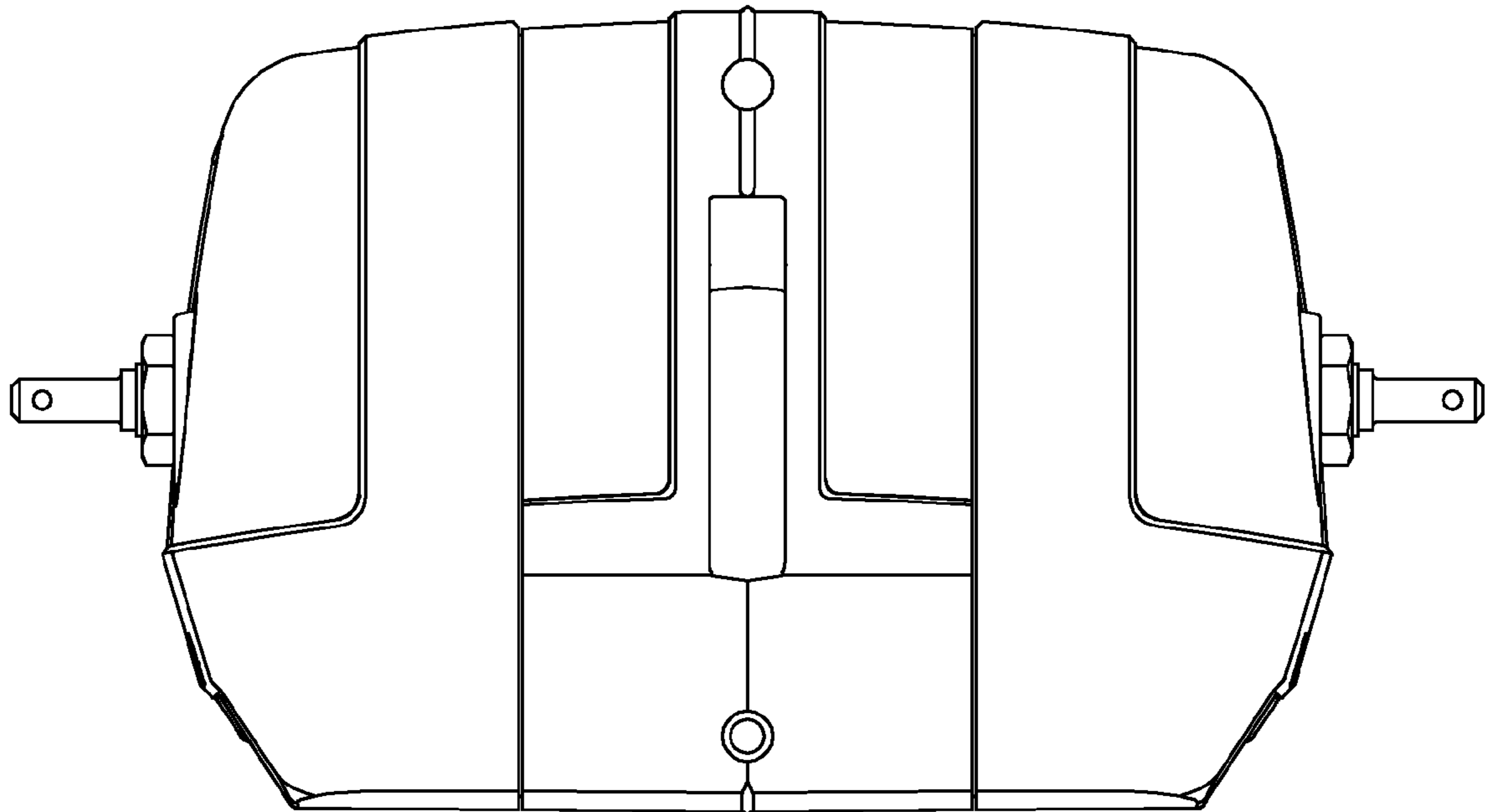


Fig. 6