

US00D549739S

(12) **United States Design Patent** (10) **Patent No.:** **US D549,739 S**
Stephens (45) **Date of Patent:** **** Aug. 28, 2007**

(54) **WORK VEHICLE OPERATOR STATION
CONSOLE**

(75) Inventor: **Joshua Joe Stephens**, Cuba City, WI
(US)

(73) Assignee: **Deere & Company**, Moline, IL (US)

(**) Term: **14 Years**

(21) Appl. No.: **29/254,884**

(22) Filed: **Mar. 1, 2006**

(51) **LOC (8) Cl.** **15-03**

(52) **U.S. Cl.** **D15/28**

(58) **Field of Classification Search** D15/28,
D15/30, 31, 17, 10; D12/192, 400, 415-424;
D34/35, 37; 180/323, 90; 296/190.01, 70;
248/27.1; 362/30

See application file for complete search history.

(56) **References Cited**

U.S. PATENT DOCUMENTS

D206,322 S *	11/1966	Ornas et al.	D12/192
3,452,835 A *	7/1969	Jacobsen et al.	180/90
4,126,202 A *	11/1978	Hern 180/89.12	
D256,018 S *	7/1980	Stone et al.	D15/28
4,869,337 A *	9/1989	Wagner 180/330	
5,165,262 A *	11/1992	Brem et al.	70/158
D339,786 S *	9/1993	Allendorph et al.	D12/192
D365,574 S *	12/1995	Westimayer et al.	D15/17
D395,030 S *	6/1998	Hellhake et al.	D12/192
D420,685 S *	2/2000	Muranen D15/30	
6,039,141 A *	3/2000	Denny 180/329	
D427,613 S *	7/2000	Altmann et al.	D15/28
D428,022 S *	7/2000	Altmann et al.	D15/28

D439,556 S *	3/2001	Beigel	D12/192
D459,734 S *	7/2002	Hohnl et al.	D15/28
D471,564 S *	3/2003	Hohnl et al.	D15/28
D519,132 S *	4/2006	Laux et al.	D15/28
D534,468 S *	1/2007	Colburn et al.	D12/192

OTHER PUBLICATIONS

Two photo images of John Deere 310SG backhoe loader operator station console (Mar. 29, 2003).

Two photo images of John Deere 310G backhoe loader operator station console (Mar. 29, 2003).

* cited by examiner

Primary Examiner—Stella Reid

Assistant Examiner—Mark Goodwin

(57) **CLAIM**

The ornamental design for a work vehicle operator station console, as shown and described.

DESCRIPTION

FIG. 1 is a left perspective view of a work vehicle operator station console showing my new design;

FIG. 2 is a right perspective view thereof;

FIG. 3 is a front elevational view thereof;

FIG. 4 is a top plan view thereof;

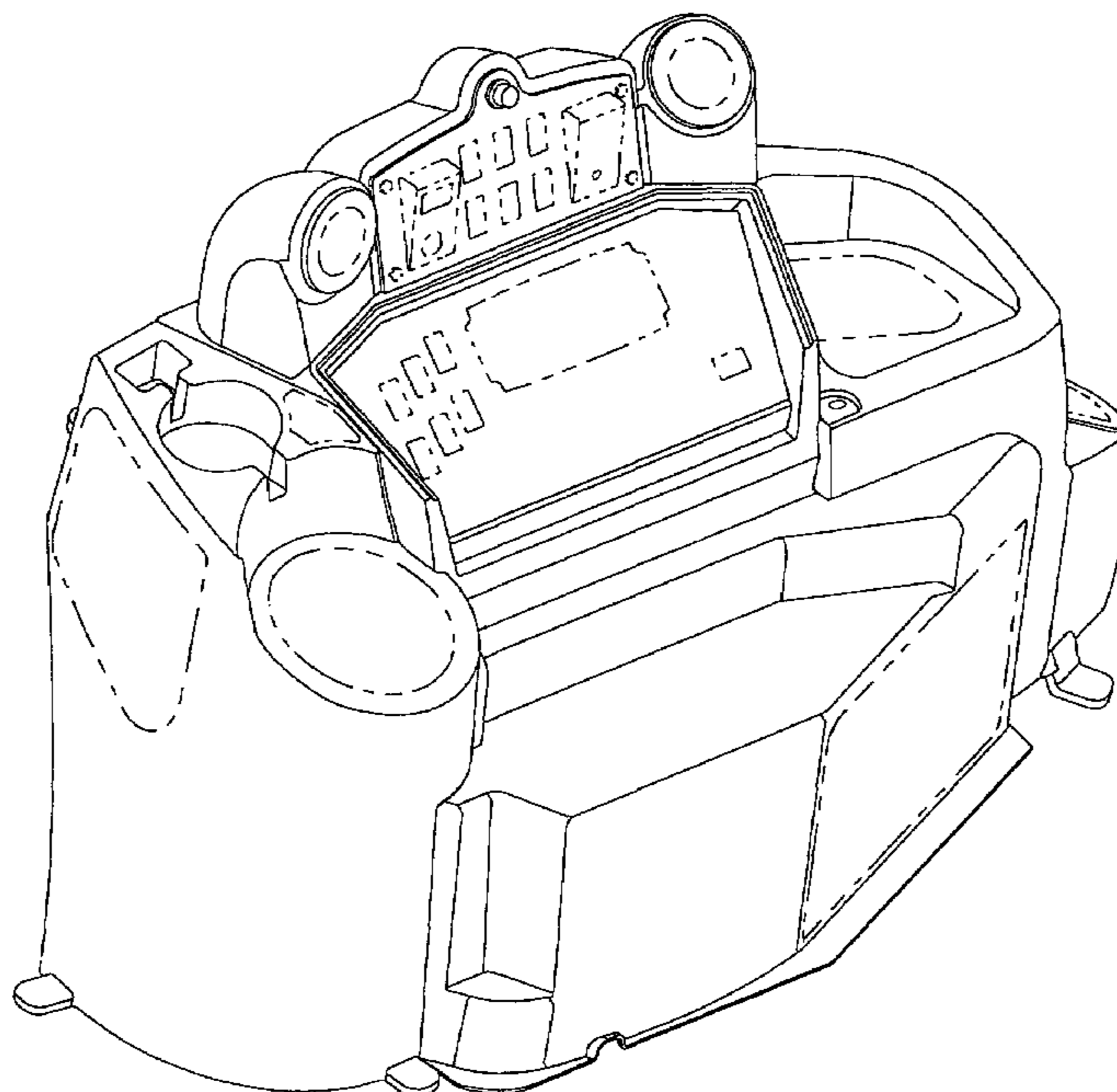
FIG. 5 is a rear elevational view thereof;

FIG. 6 is a right side elevational view thereof; and,

FIG. 7 is a left side elevational view thereof.

The broken line showing in FIGS. 1-7 is for environmental purposes only and forms no part of the claimed design.

1 Claim, 6 Drawing Sheets



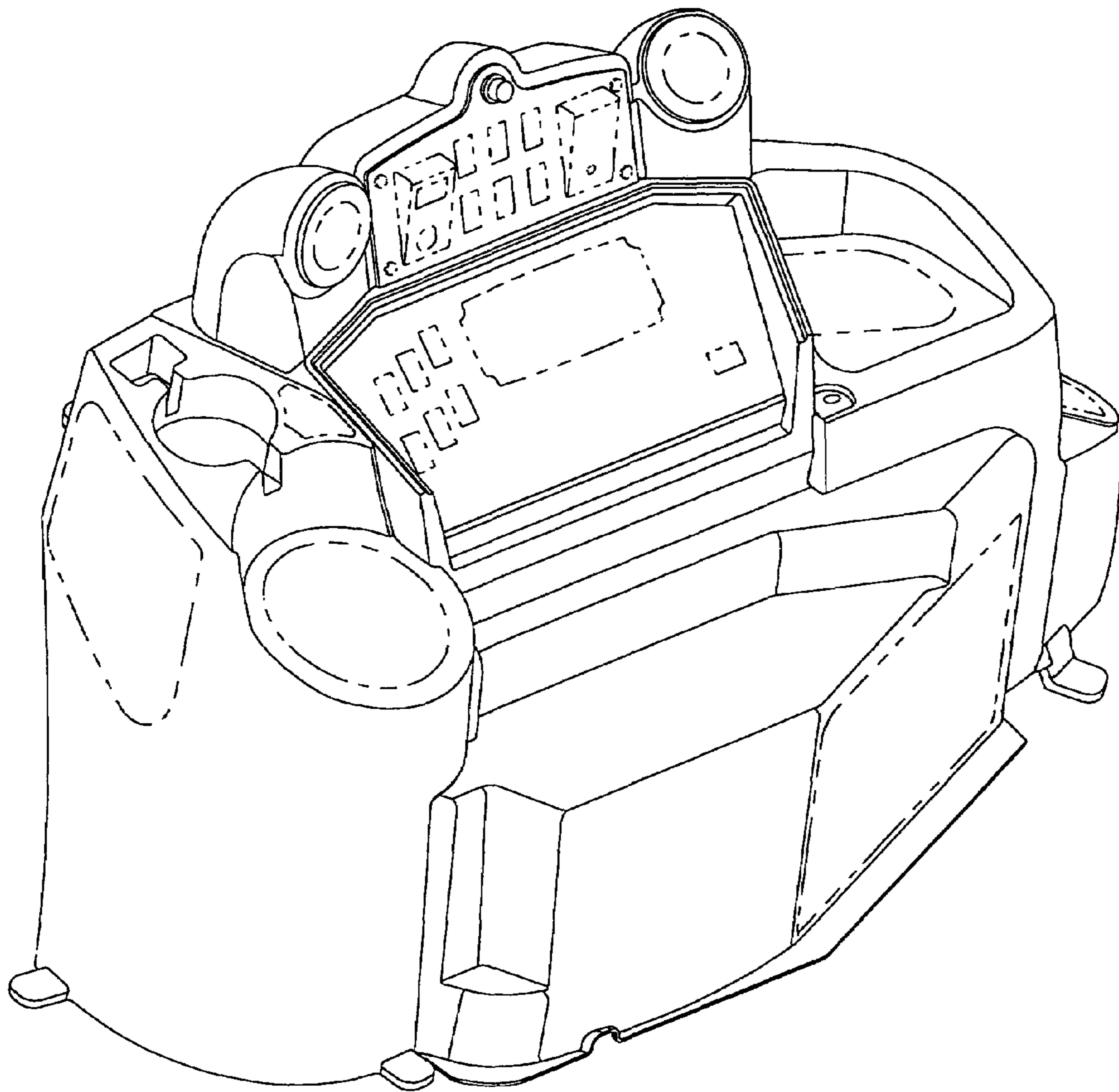


Fig. 1

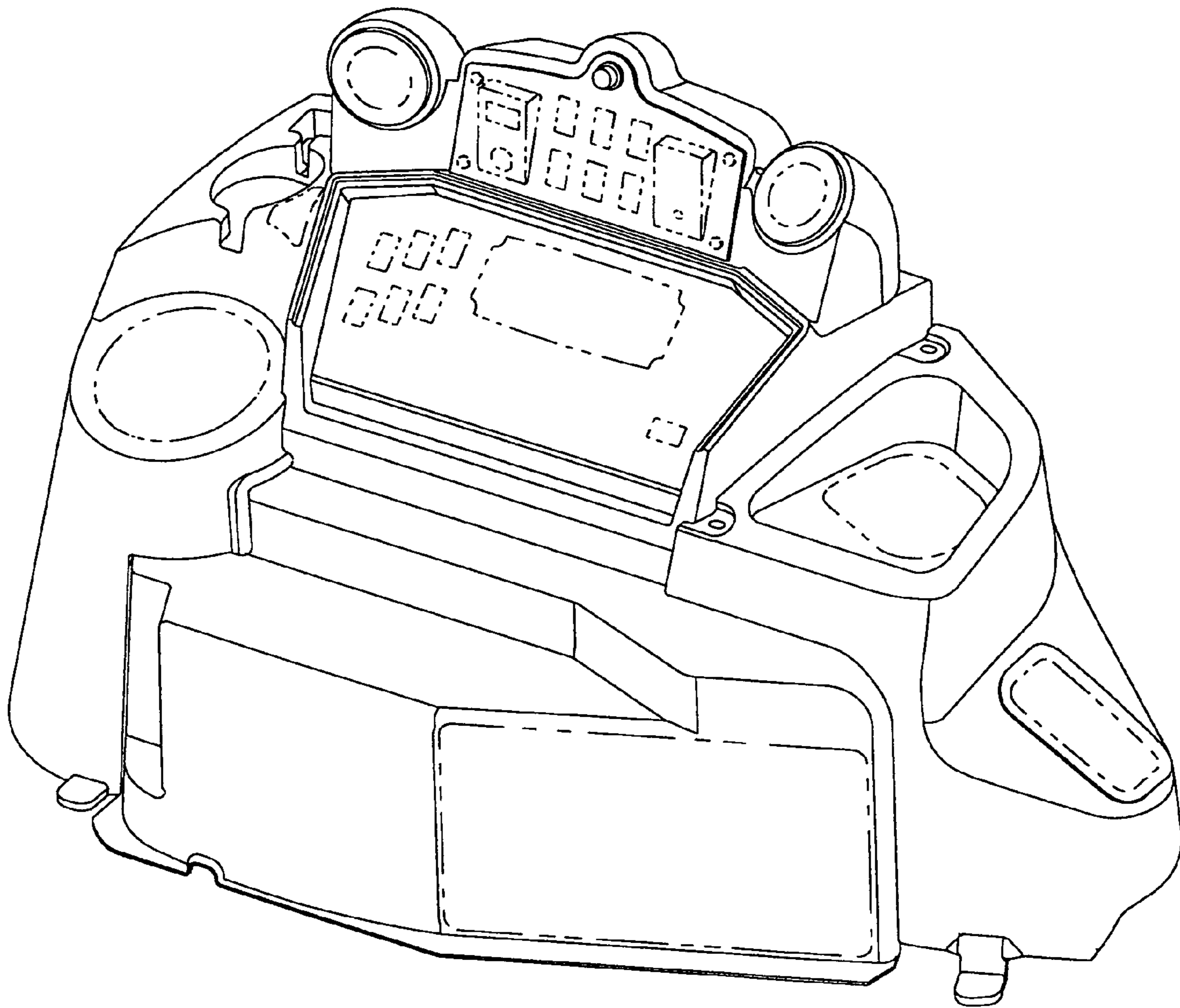
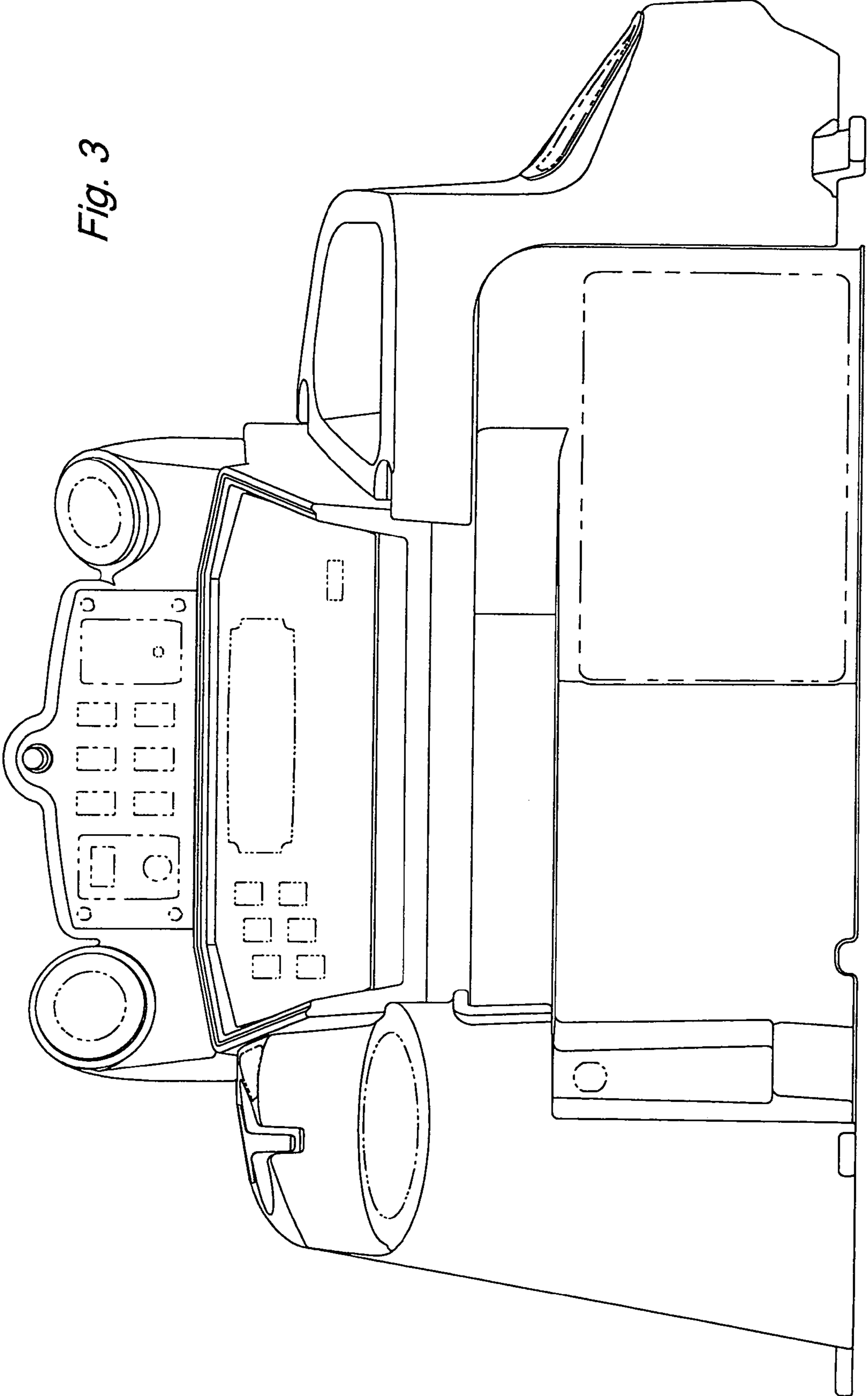


Fig. 2

Fig. 3



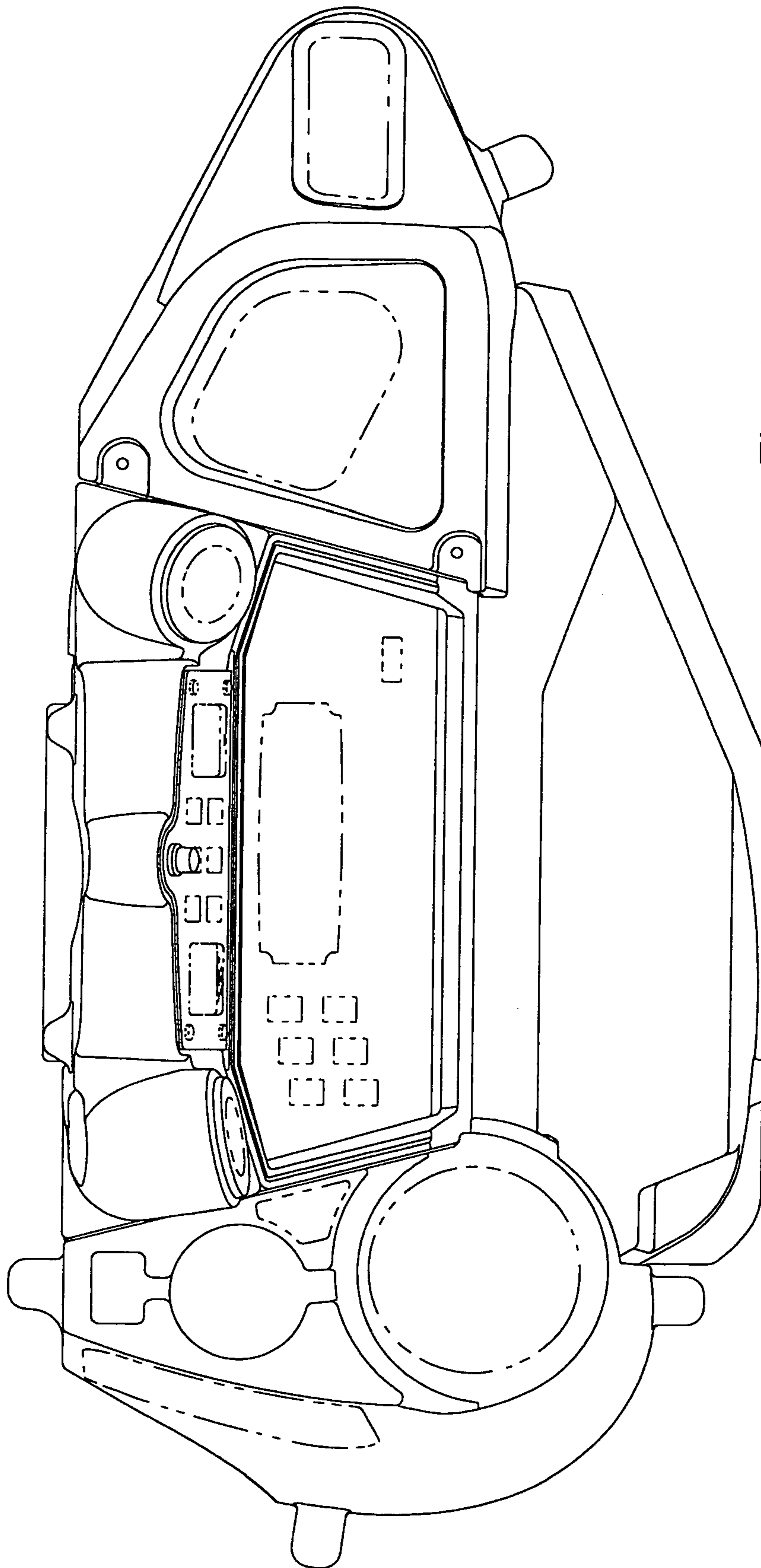


Fig. 4

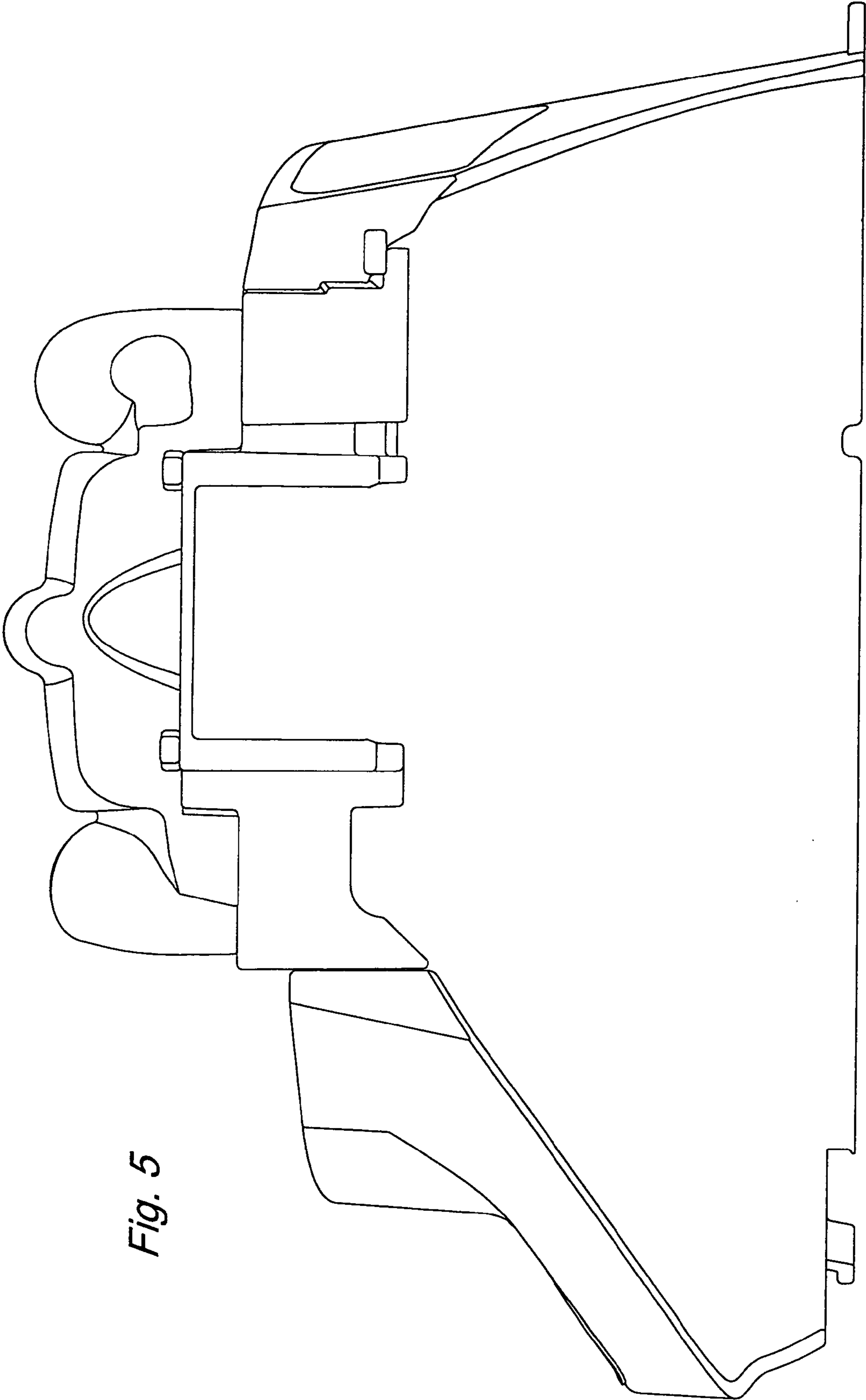


Fig. 5

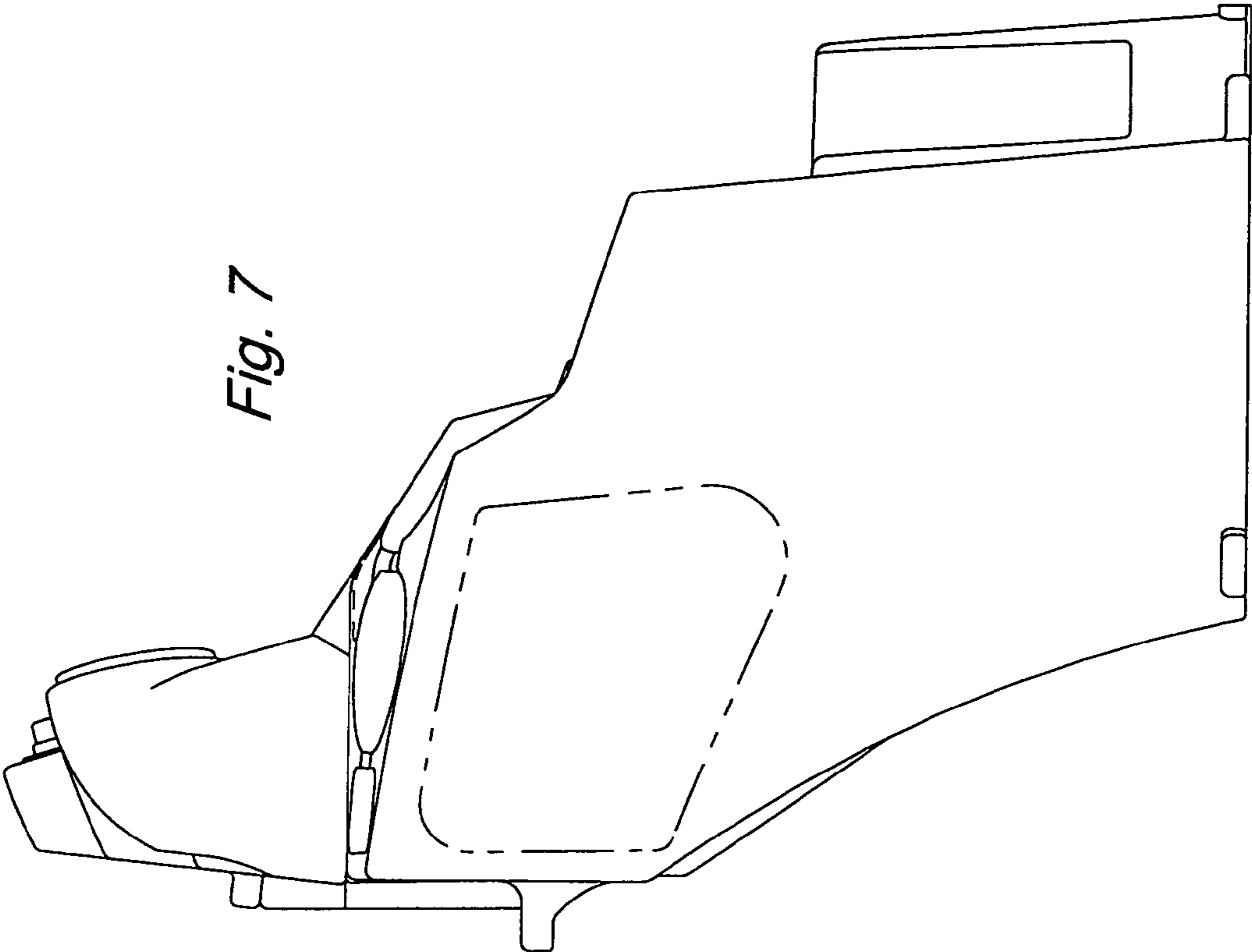


Fig. 7

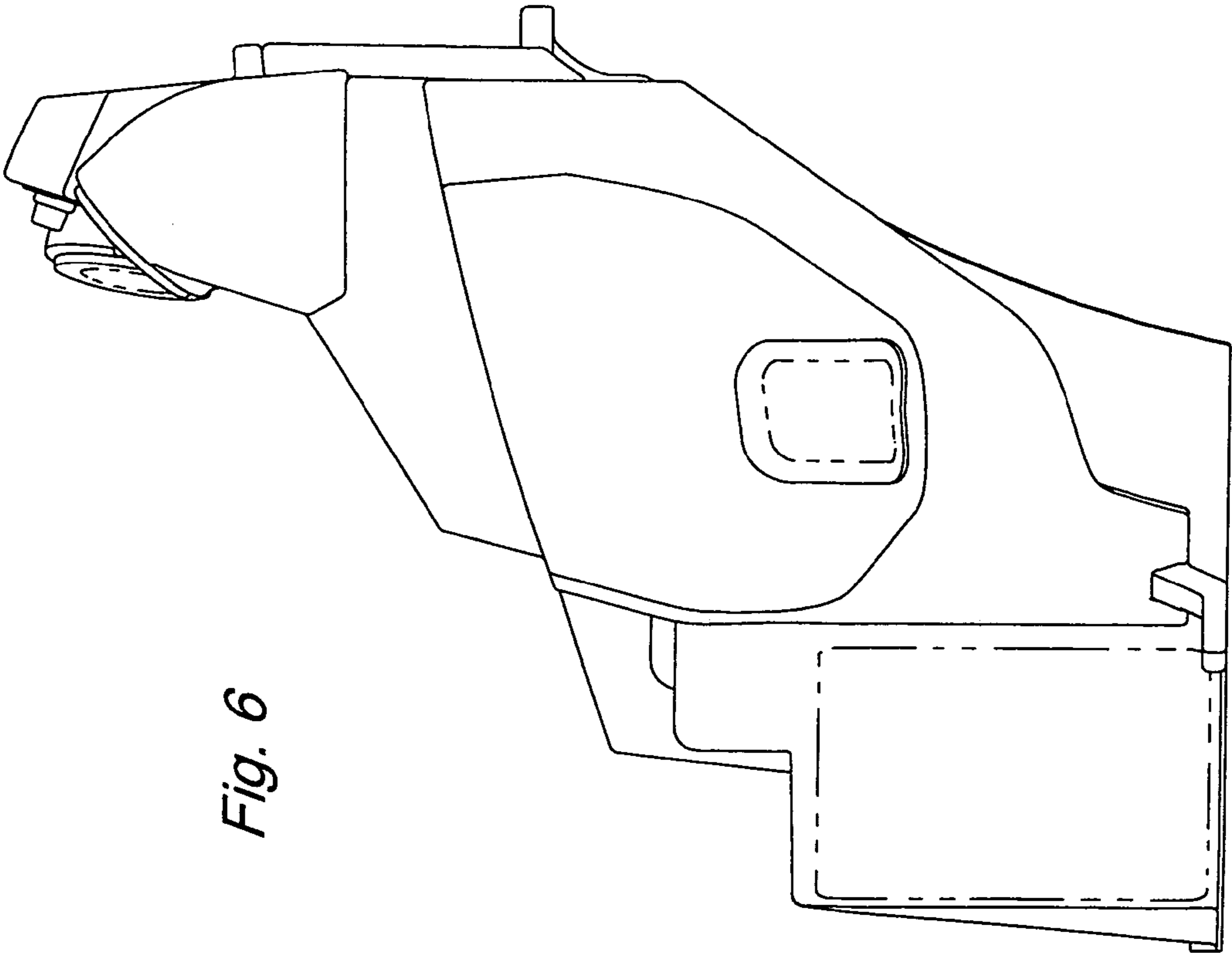


Fig. 6