

US00D549738S

(12) **United States Design Patent**
Hiraoka et al.

(10) **Patent No.:** **US D549,738 S**

(45) **Date of Patent:** **** Aug. 28, 2007**

(54) **WHEEL LOADER**

(75) Inventors: **Kazuhiko Hiraoka**, Kodaira (JP);
Jujutsu Murota, Kasumigaura (JP);
Tsuyoshi Sakyo, Kasumigaura (JP);
Kazunori Komatsu, Kasumigaura (JP);
Ei Takahashi, Tsuchiura (JP);
Hirofumi Ouchi, Toride (JP)

(73) Assignees: **Hitachi Construction Machinery Co., Ltd.**, Tokyo (JP); **TCM Co., Ltd.**, Osaka (JP)

(**) Term: **14 Years**

(21) Appl. No.: **29/245,746**

(22) Filed: **Dec. 29, 2005**

(30) **Foreign Application Priority Data**

Jun. 29, 2005 (JP) 2005-018799

(51) **LOC (8) Cl.** **12-09**

(52) **U.S. Cl.** **D15/25**

(58) **Field of Classification Search** D15/10,
D15/22-26; 37/403, 304, 301, 442; 180/89.1,
180/89.12, 89.13, 89.19; 414/685, 694, 812
See application file for complete search history.

(56) **References Cited**

U.S. PATENT DOCUMENTS

3,246,778	A *	4/1966	Kampert et al.	414/713
D211,522	S *	6/1968	Renquist	D15/25
RE26,635	E *	7/1969	Kumpert et al.	414/697
3,601,212	A *	8/1971	Peterson et al.	180/9.44
D226,707	S *	4/1973	Skyer et al.	D15/25
D245,503	S *	8/1977	Adams et al.	D15/25

4,085,815	A *	4/1978	Miller	180/54.1
4,240,648	A *	12/1980	Starr	280/760
4,379,568	A *	4/1983	Kerkman	280/400
D326,858	S *	6/1992	Skeel et al.	D15/25
5,199,196	A *	4/1993	Straley	37/442
D358,157	S *	5/1995	Kusunoki et al.	D15/25
D364,408	S *	11/1995	Bryant et al.	D15/25
D405,807	S *	2/1999	Amy et al.	D15/25
D410,930	S *	6/1999	Kim et al.	D15/25
D412,506	S *	8/1999	Boyer et al.	D15/25
D419,618	S *	1/2000	Park	D21/537
D441,038	S *	4/2001	Wei	D21/537

* cited by examiner

Primary Examiner—Stella Reid

Assistant Examiner—Mark Goodwin

(74) *Attorney, Agent, or Firm*—Antonelli, Terry, Stout & Kraus, LLP.

(57) **CLAIM**

We claim the ornamental design for a wheel loader, as shown.

DESCRIPTION

FIG. 1 is a top left rear perspective view of a wheel loader showing our new design;

FIG. 2 is a left side view thereof;

FIG. 3 is a right side view thereof;

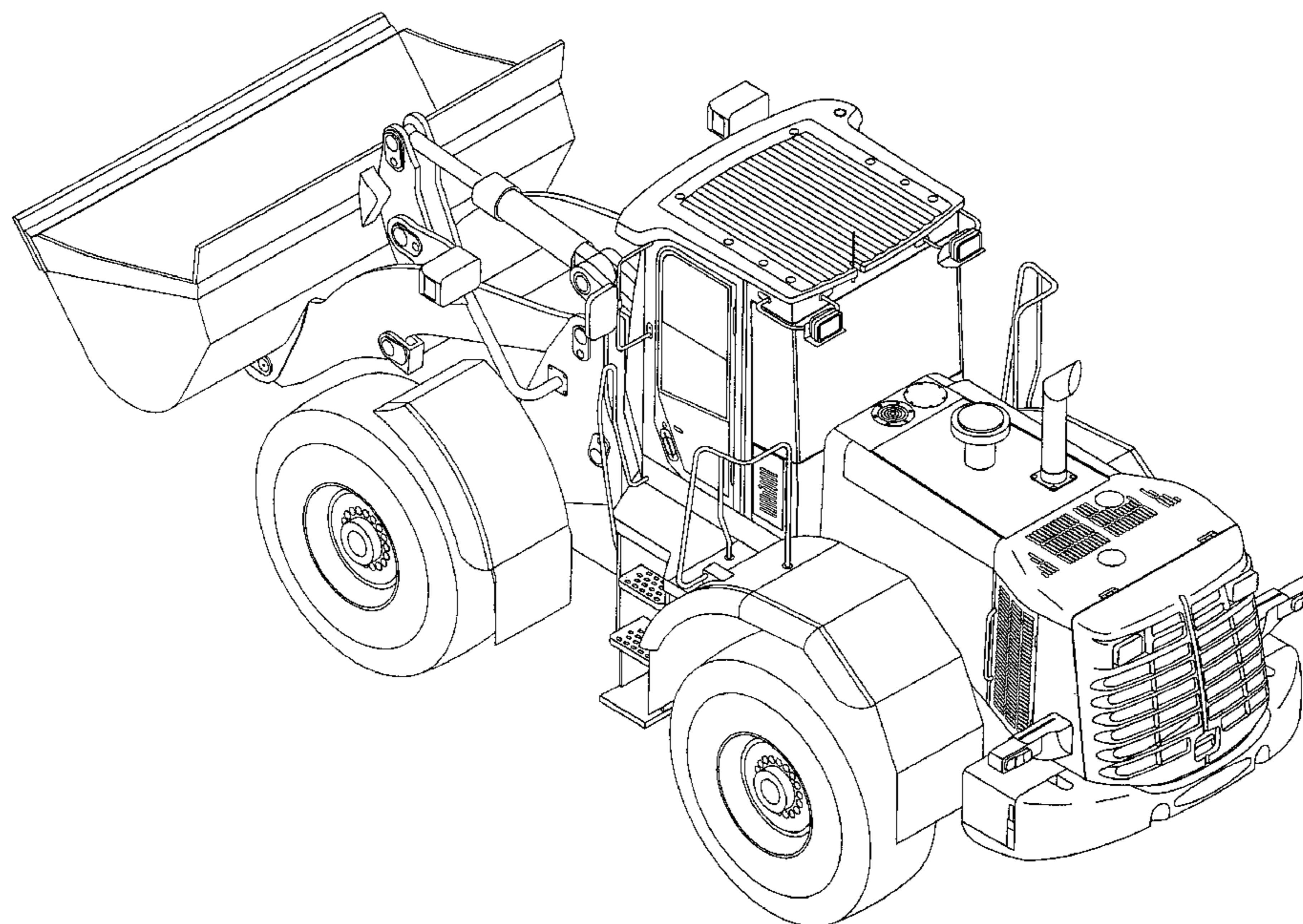
FIG. 4 is a top plan view thereof;

FIG. 5 is a bottom view thereof;

FIG. 6 is a front view thereof; and,

FIG. 7 is a rear view thereof.

1 Claim, 6 Drawing Sheets



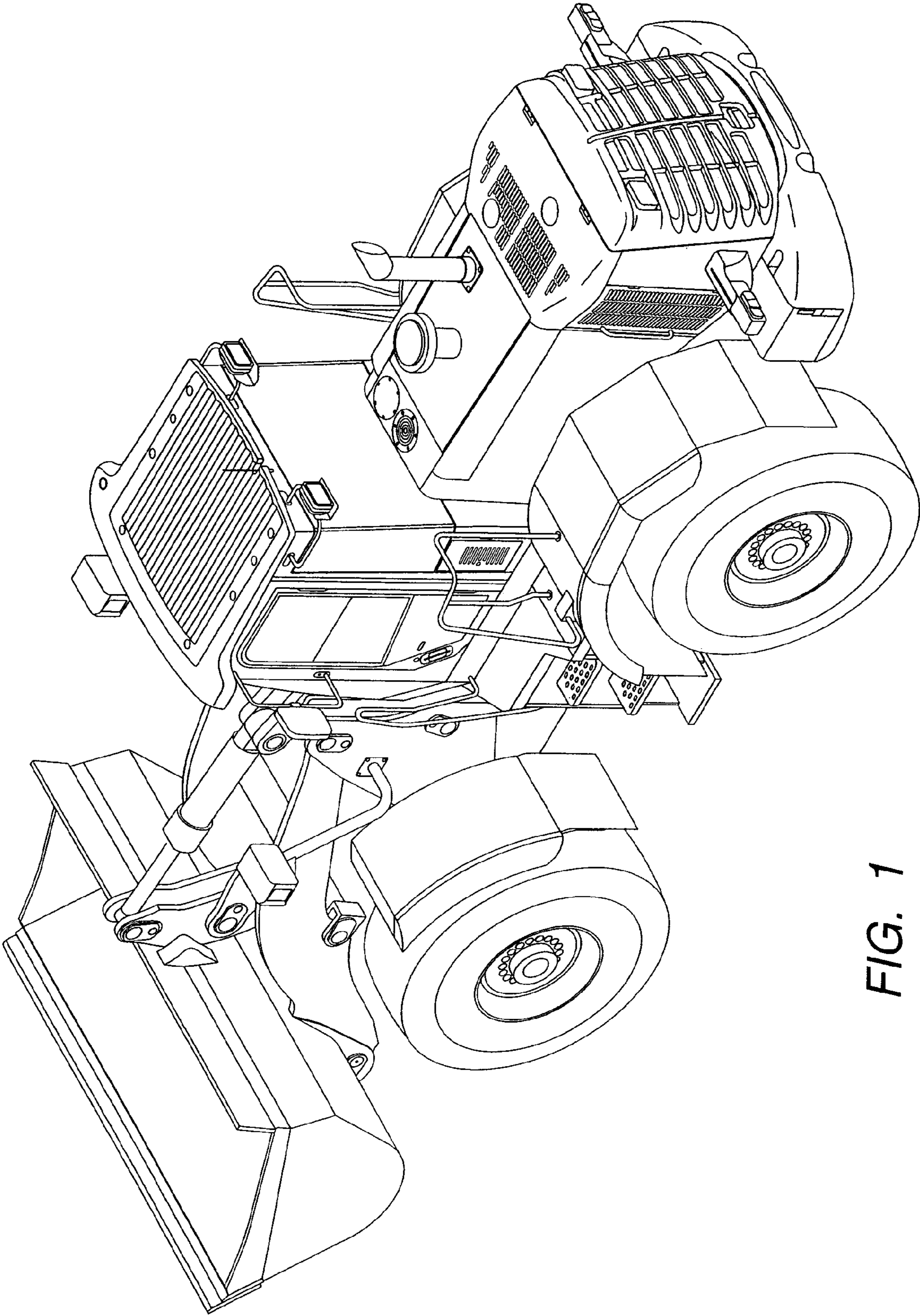


FIG. 1

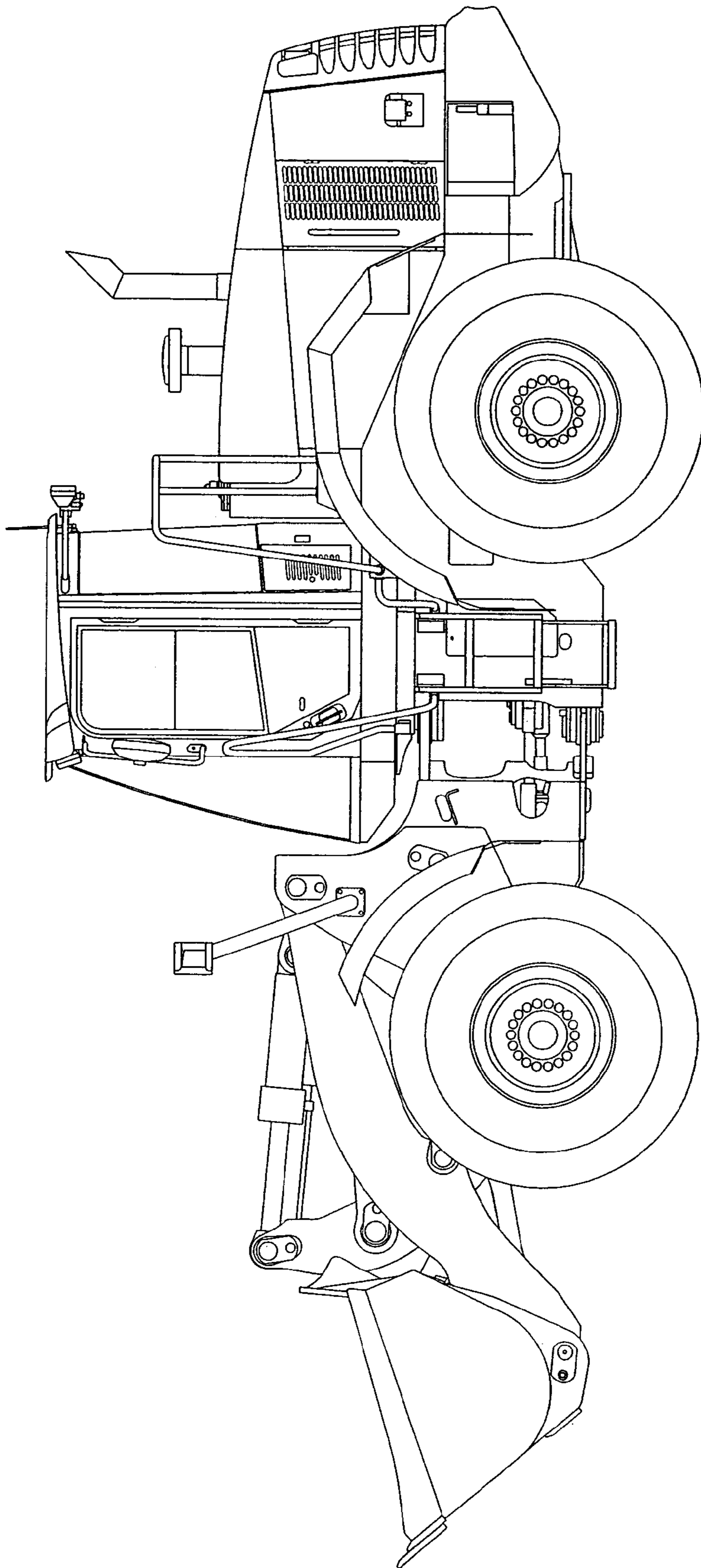


FIG. 2

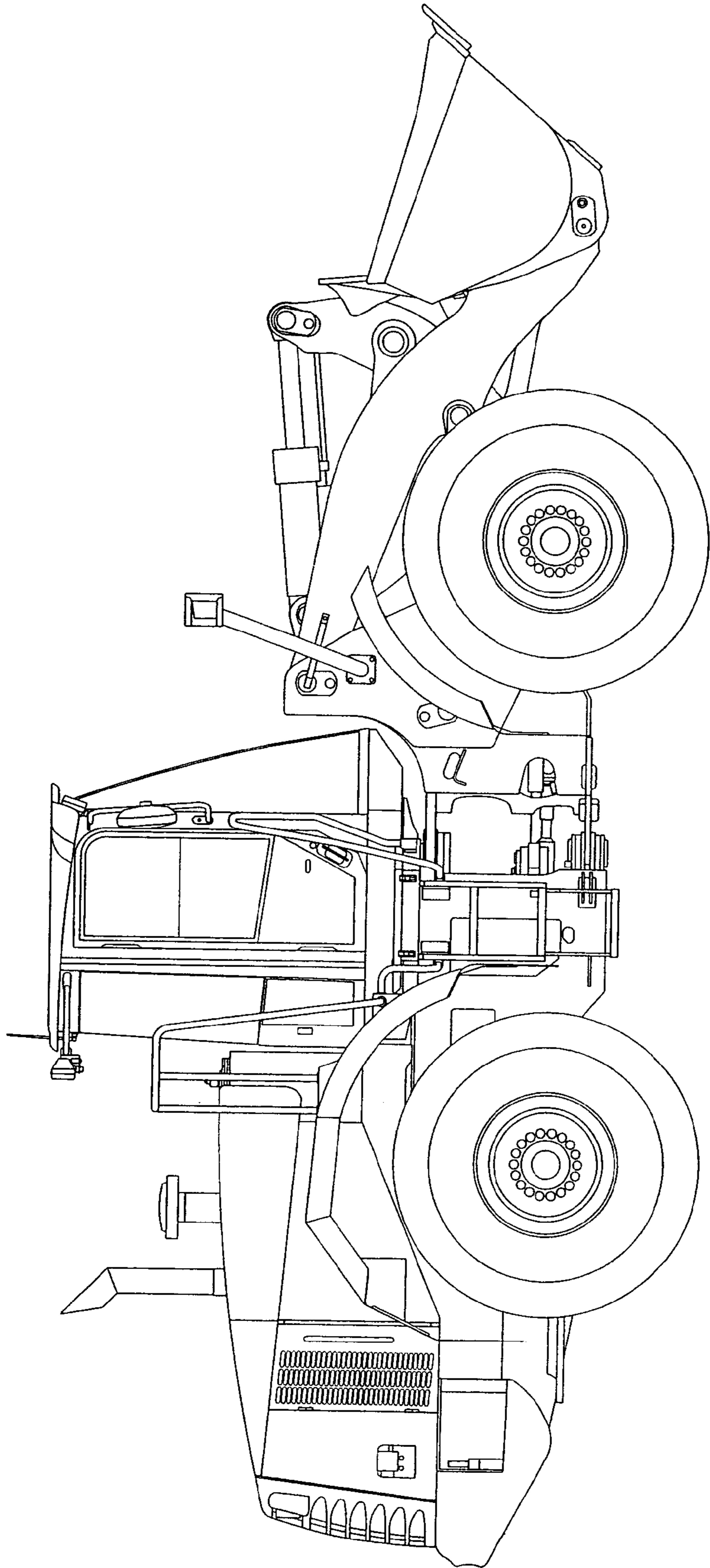


FIG. 3

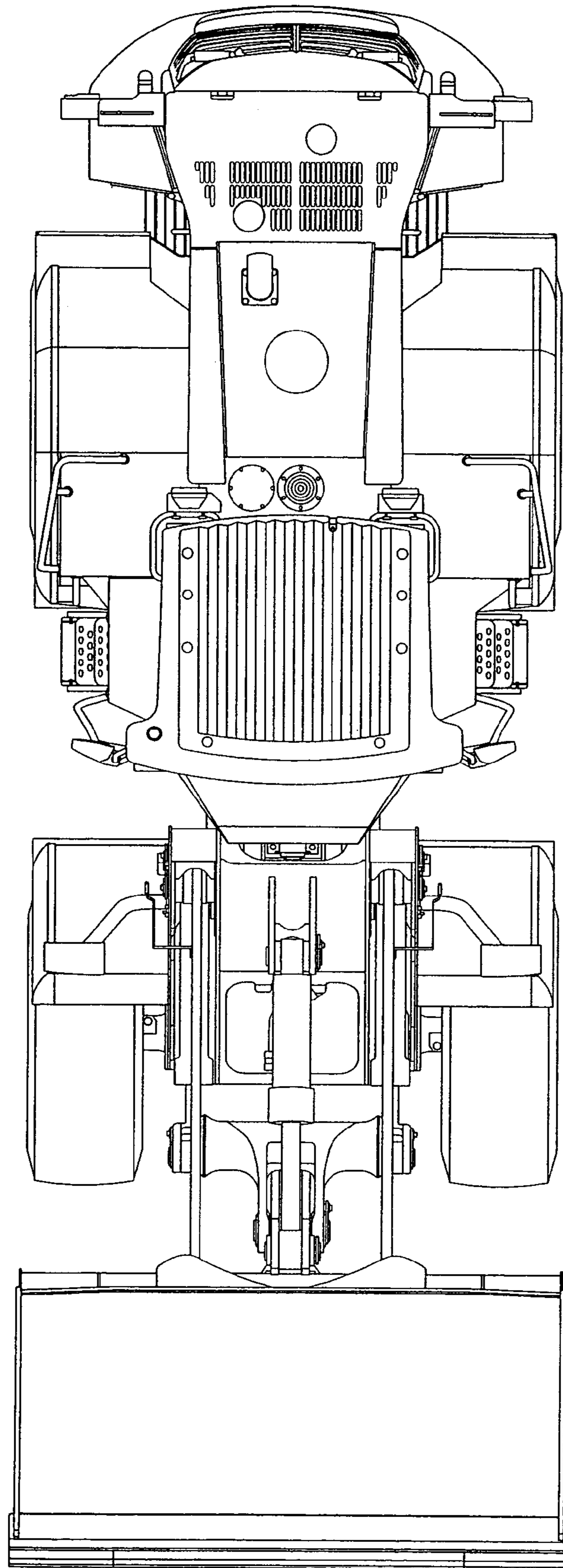


FIG. 4

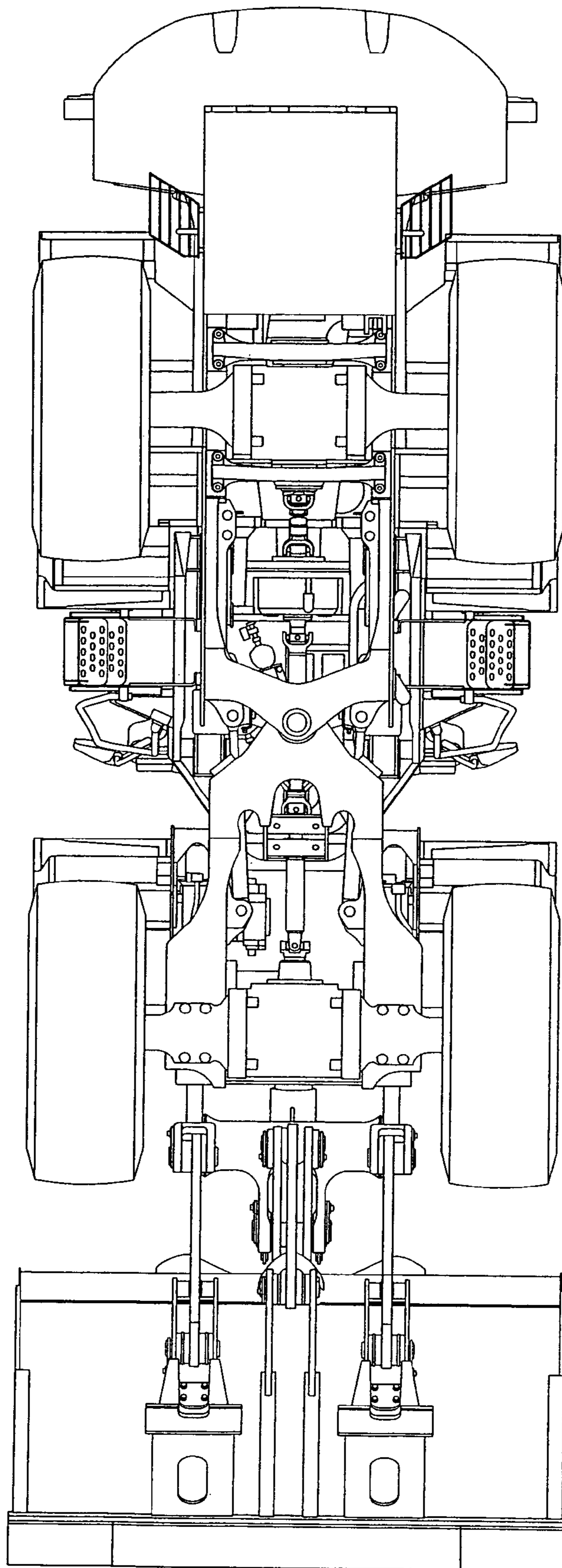


FIG. 5

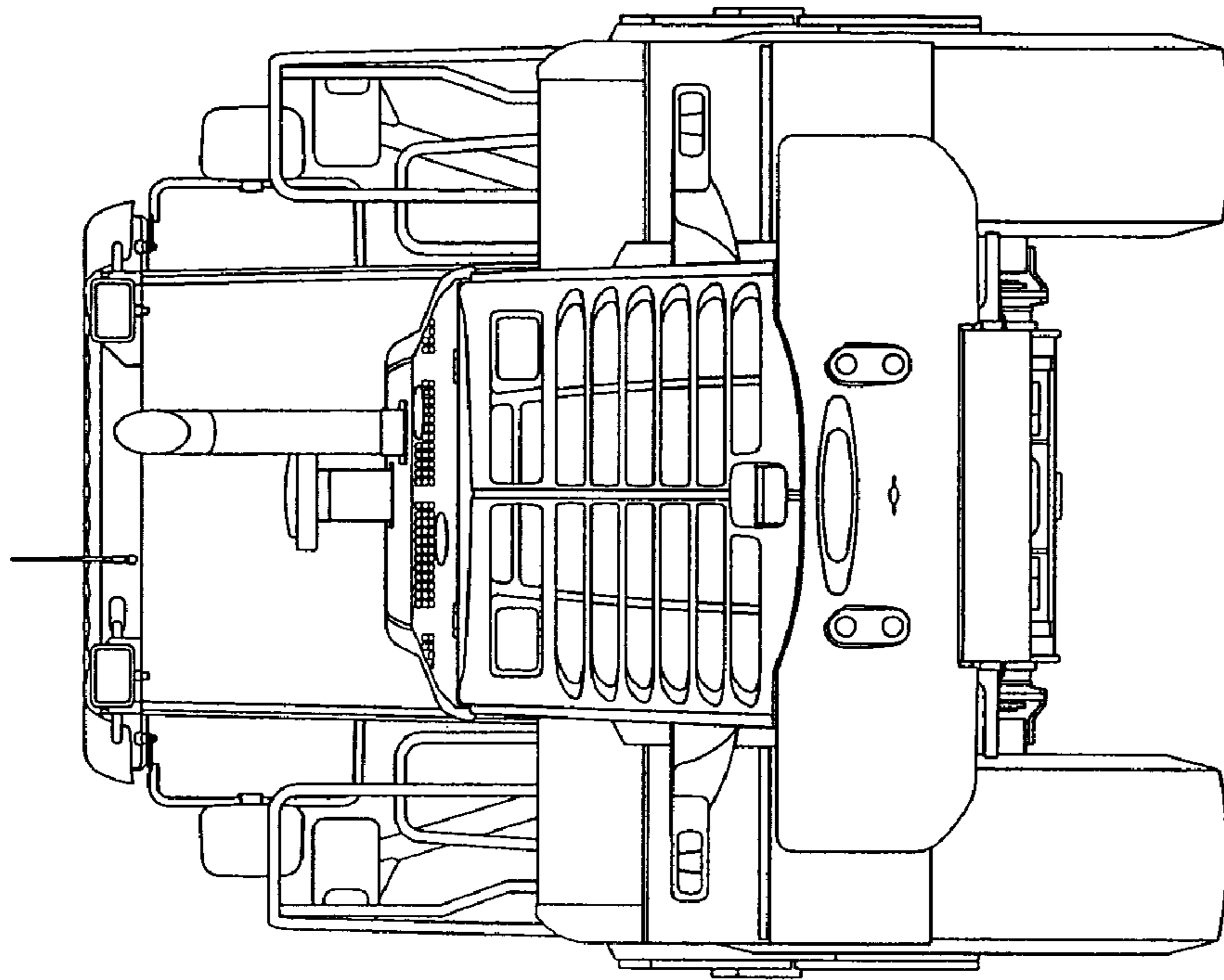


FIG. 7

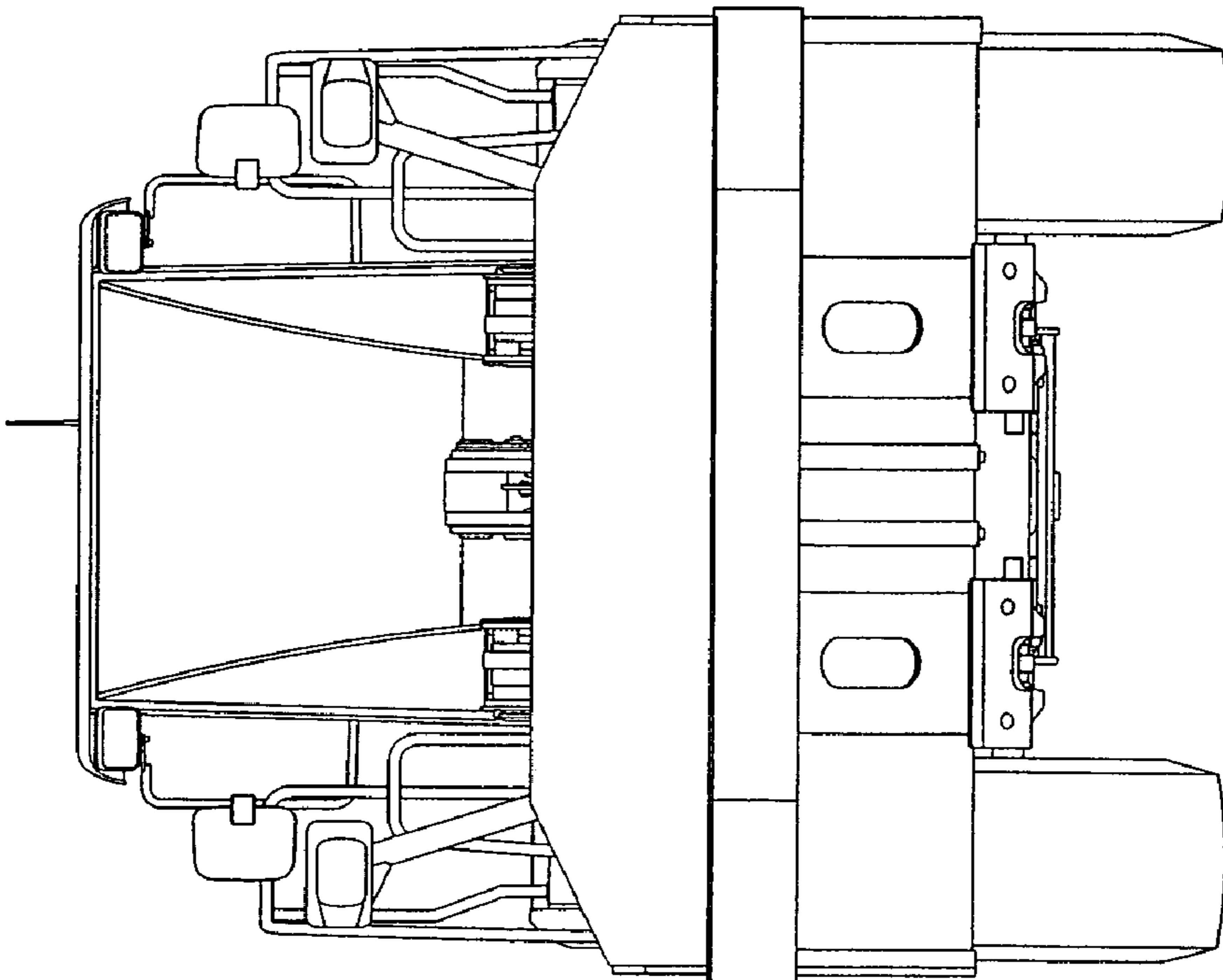


FIG. 6