



US00D549737S

(12) **United States Design Patent**
Chu

(10) **Patent No.:** **US D549,737 S**

(45) **Date of Patent:** **** Aug. 28, 2007**

(54) **CYLINDER HOUSING FOR AIR COMPRESSOR**

(76) **Inventor:** **Henry C. Chu**, 133 N. Lemon St., Orange, CA (US) 92866

(**) **Term:** **14 Years**

(21) **Appl. No.:** **29/269,681**

(22) **Filed:** **Dec. 5, 2006**

(51) **LOC (8) Cl.** **15-02**

(52) **U.S. Cl.** **D15/9**

(58) **Field of Classification Search** D15/7-9;
D23/232, 231; 417/359, 415-416, 410.1,
417/321, 265, 405

See application file for complete search history.

(56) **References Cited**

U.S. PATENT DOCUMENTS

D506,763 S *	6/2005	Chu	D15/9
D530,345 S *	10/2006	Chu	D15/9
D532,020 S *	11/2006	Chu	D15/9

* cited by examiner

Primary Examiner—Ralf Seifert

(74) *Attorney, Agent, or Firm*—Charles E. Baxley

(57) **CLAIM**

The ornamental design for a cylinder housing for air compressor, as shown and described.

DESCRIPTION

FIG. 1 is a front perspective view of a cylinder housing for air compressor showing my new design;

FIG. 2 is a front elevational view thereof;

FIG. 3 is a rear elevational view thereof;

FIG. 4 is a top plan view thereof;

FIG. 5 is a bottom plan view thereof;

FIG. 6 is a left side elevational view thereof;

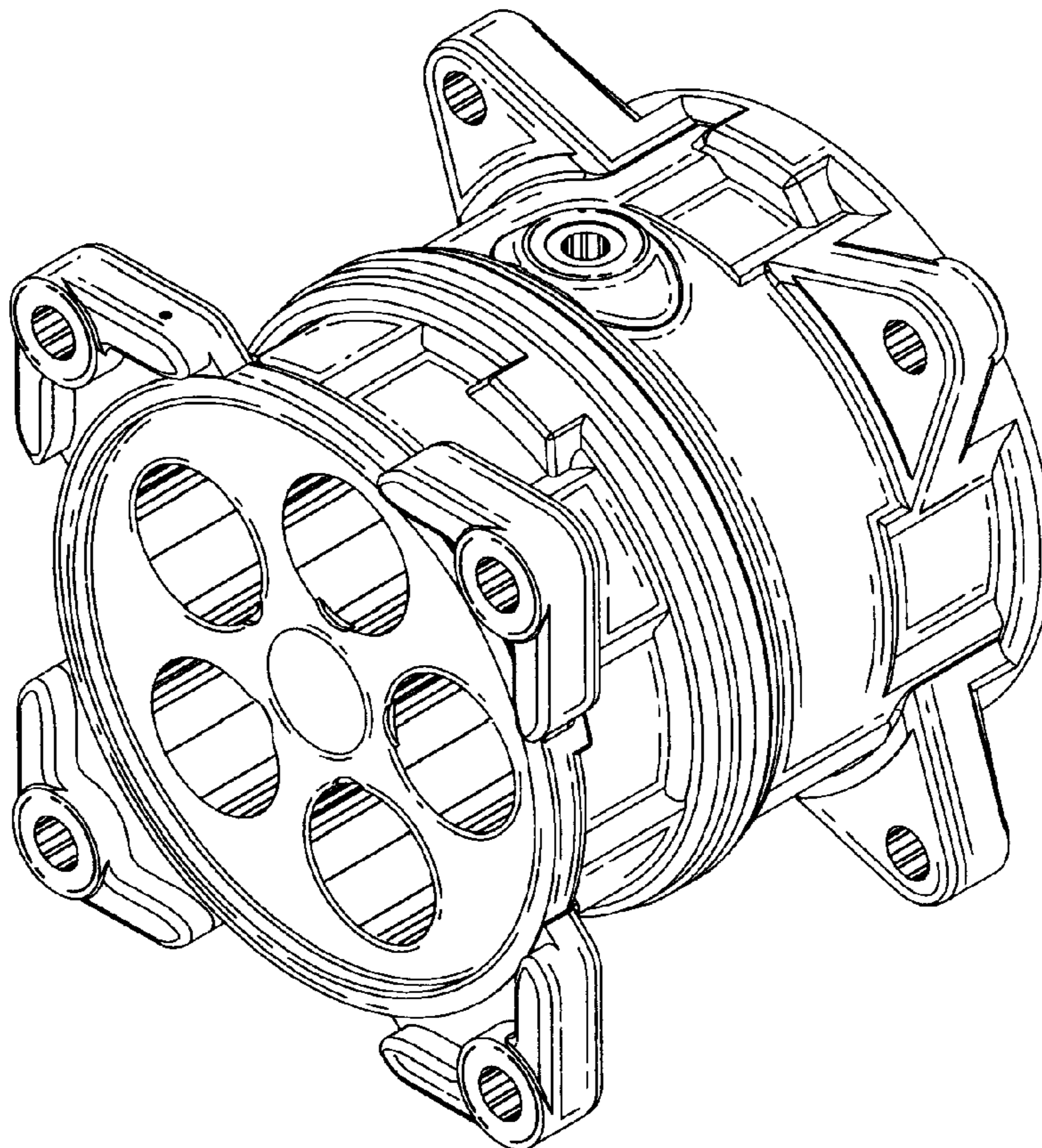
FIG. 7 is a right side elevational view thereof;

FIG. 8 is a rear perspective view thereof;

FIG. 9 is a front perspective view thereof, the ports depicted by means of broken lines being for illustrative purposes only and forming no part of the claimed design; and,

FIG. 10 is a rear perspective view thereof, the ports depicted by means of broken lines being for illustrative purposes only and forming no part of the claimed design.

1 Claim, 7 Drawing Sheets



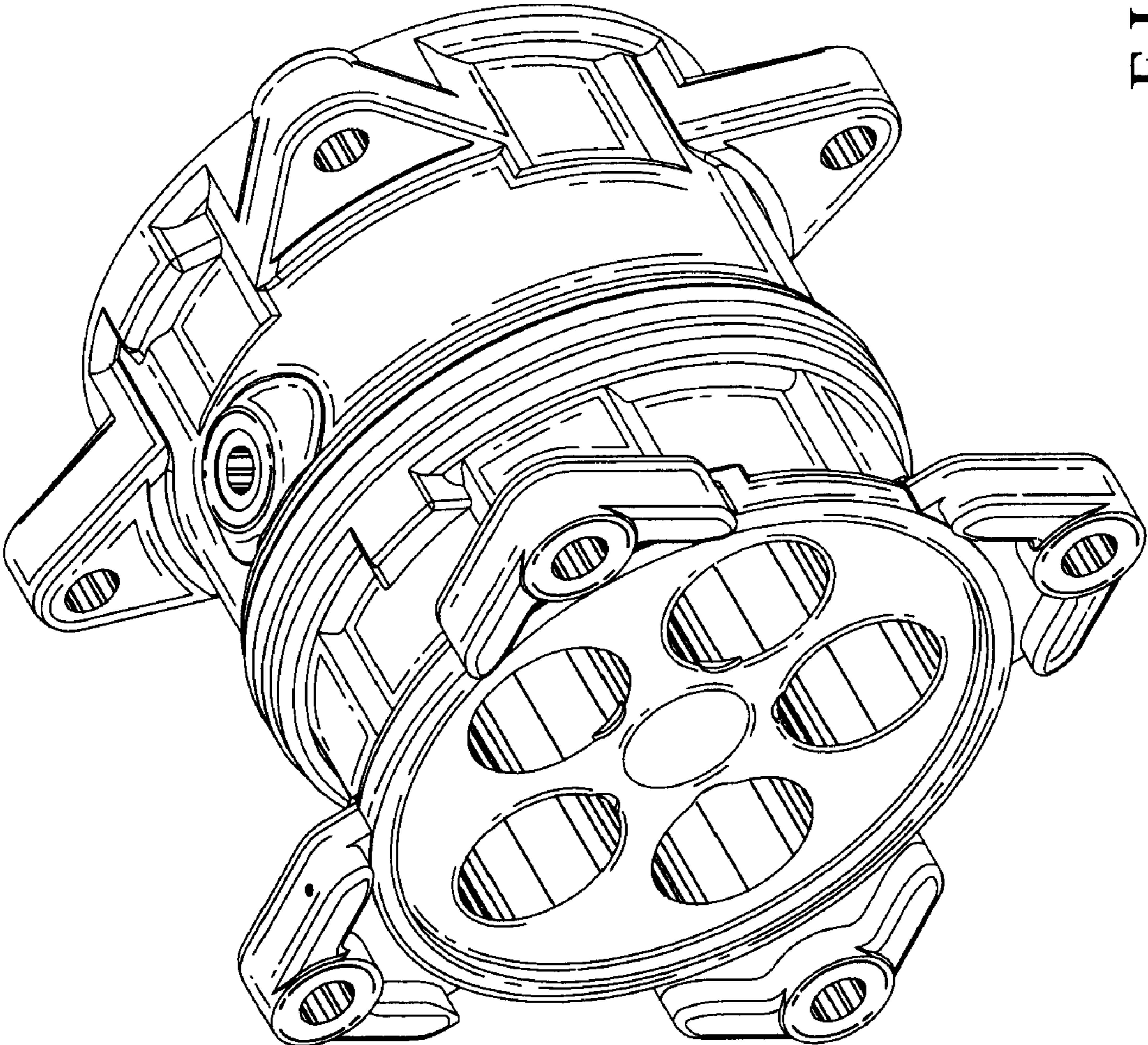


FIG. 1

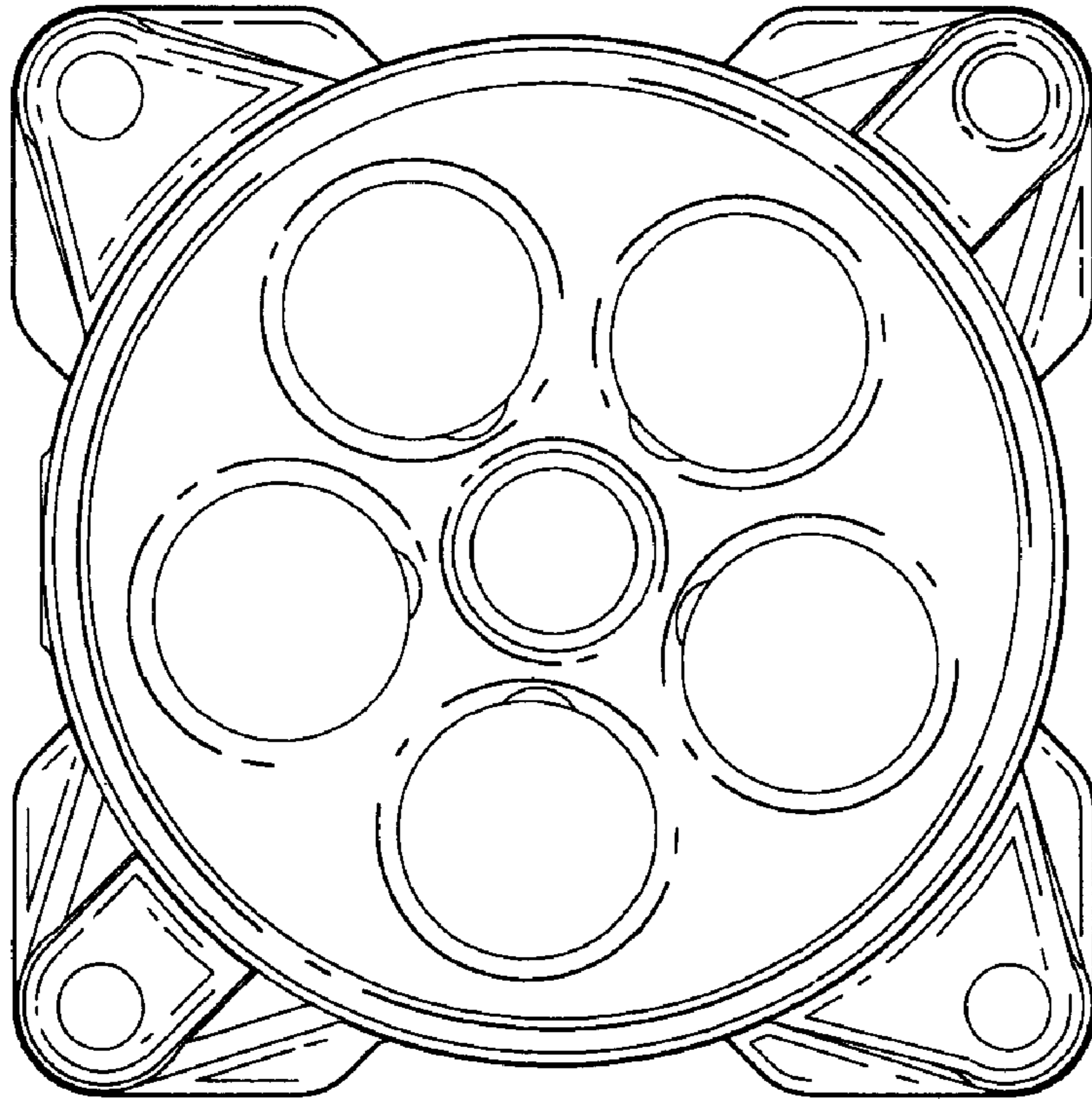


FIG. 3

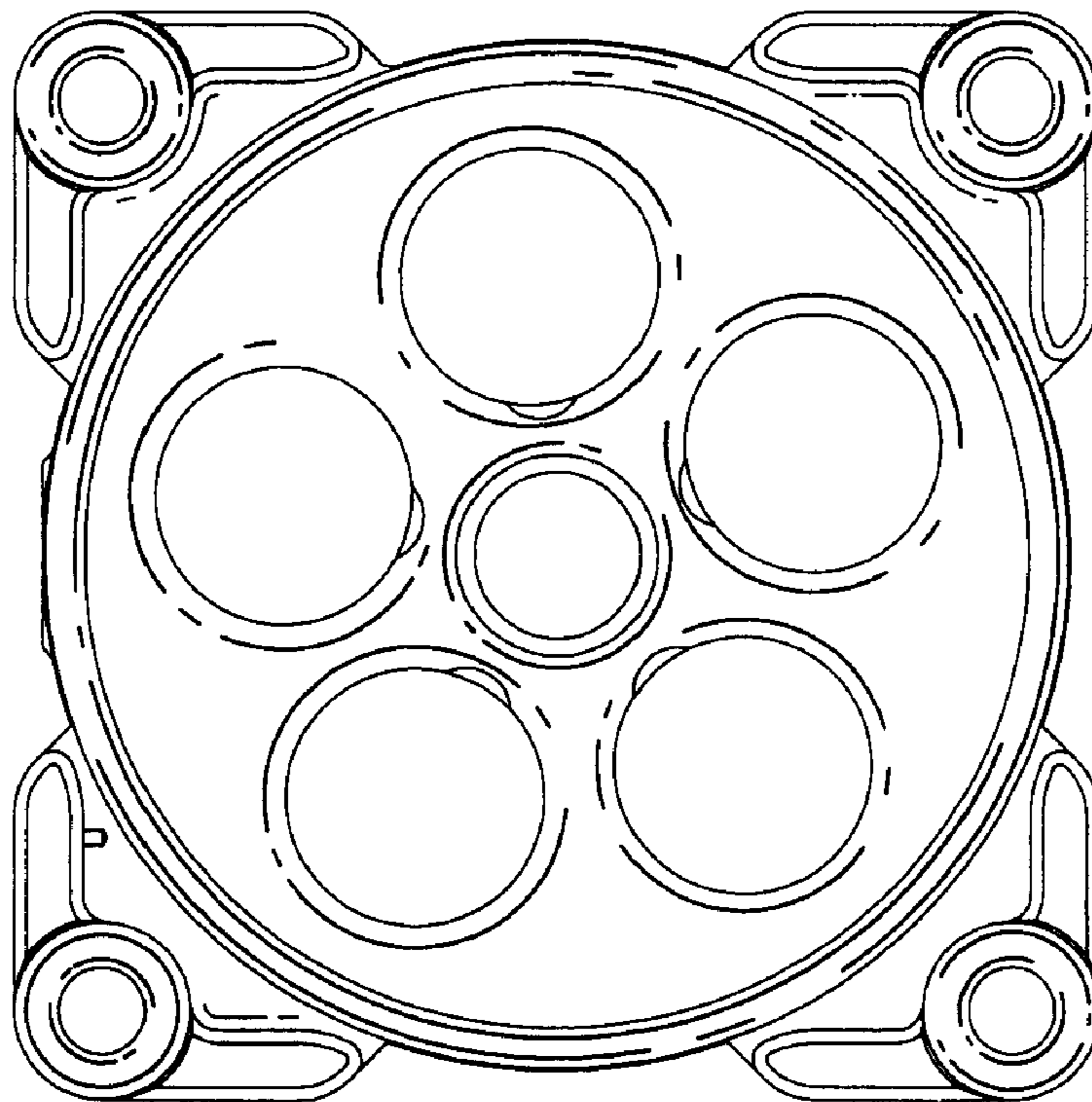


FIG. 2

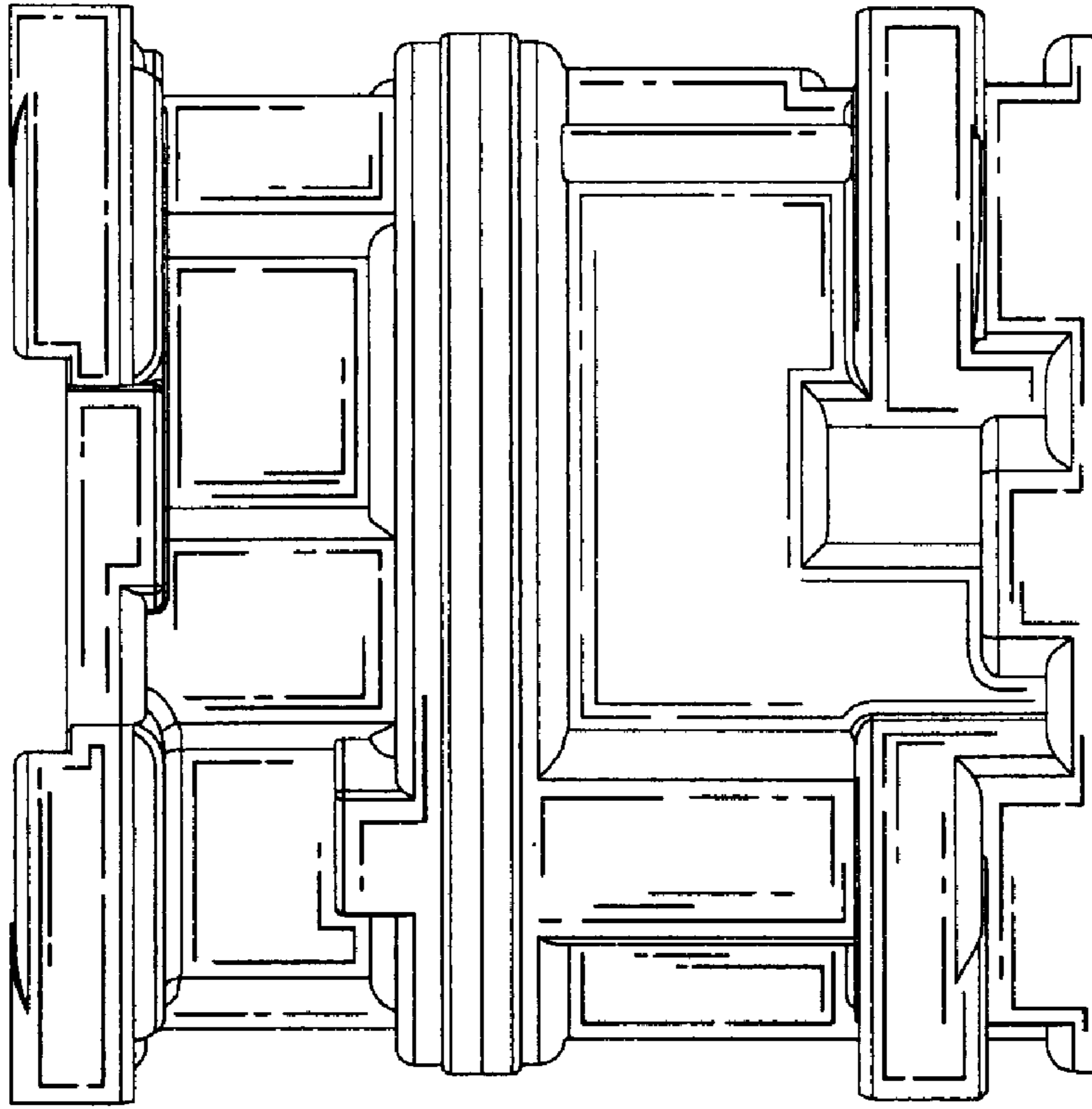


FIG. 5

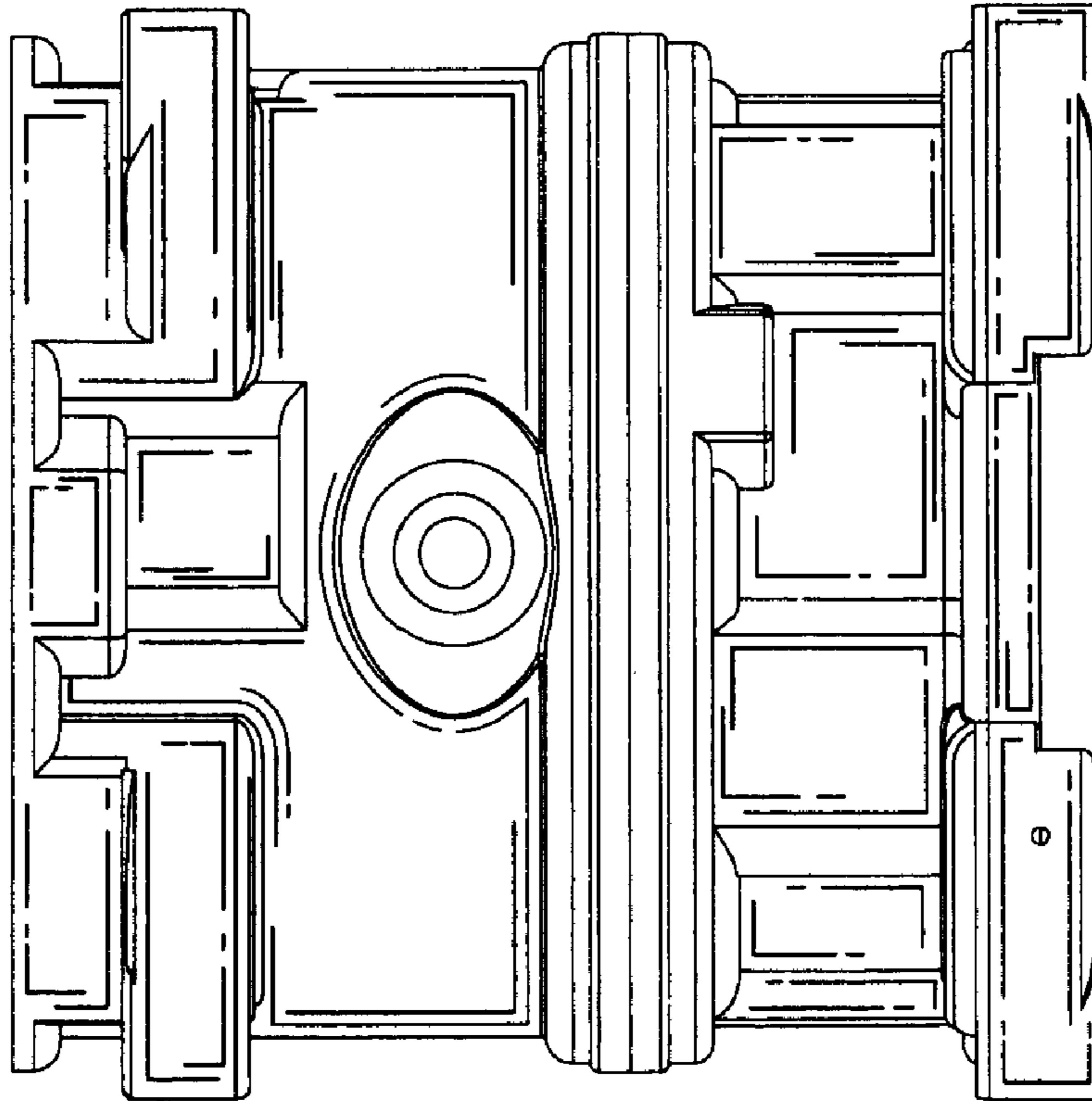


FIG. 4

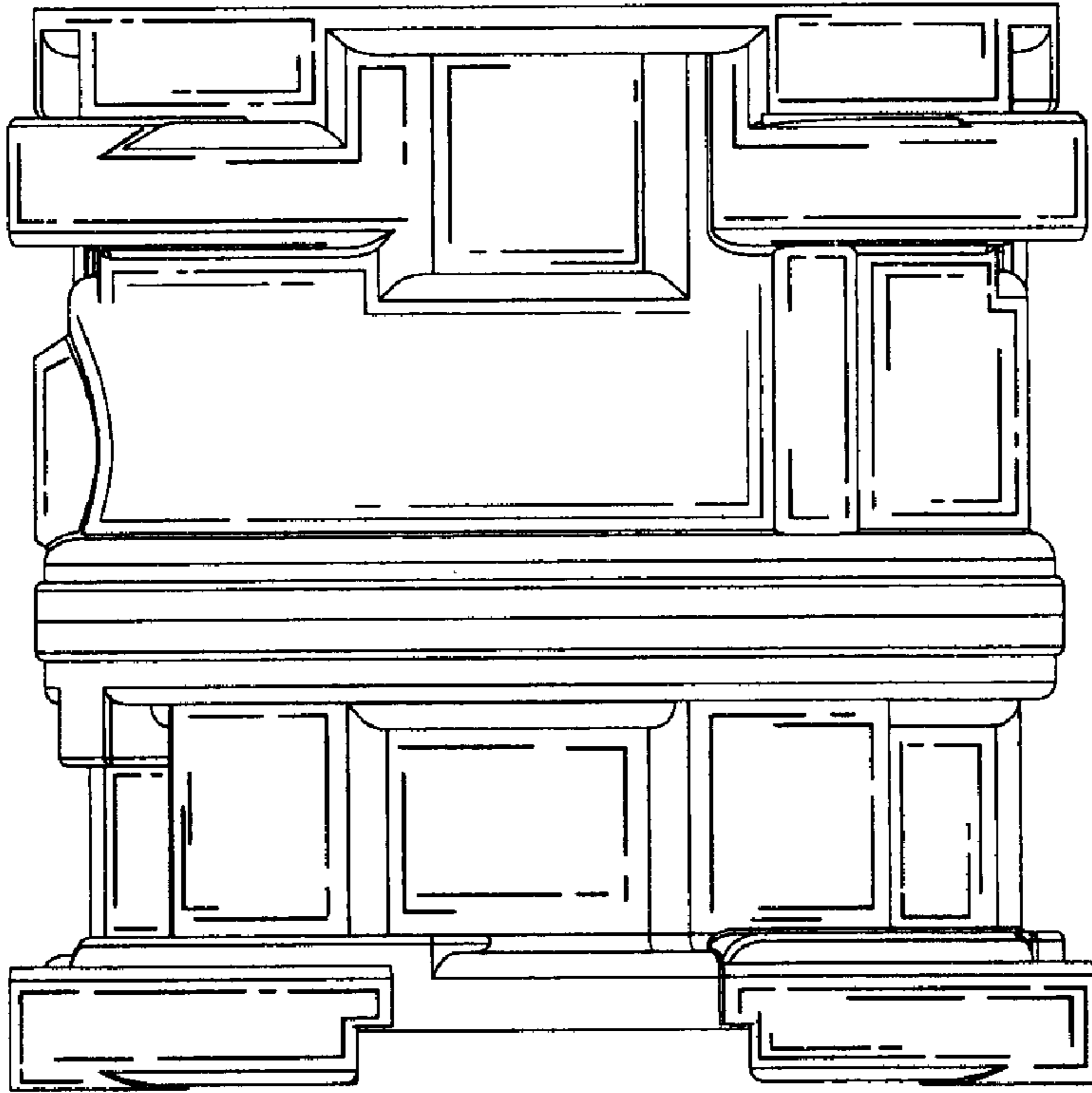


FIG. 7

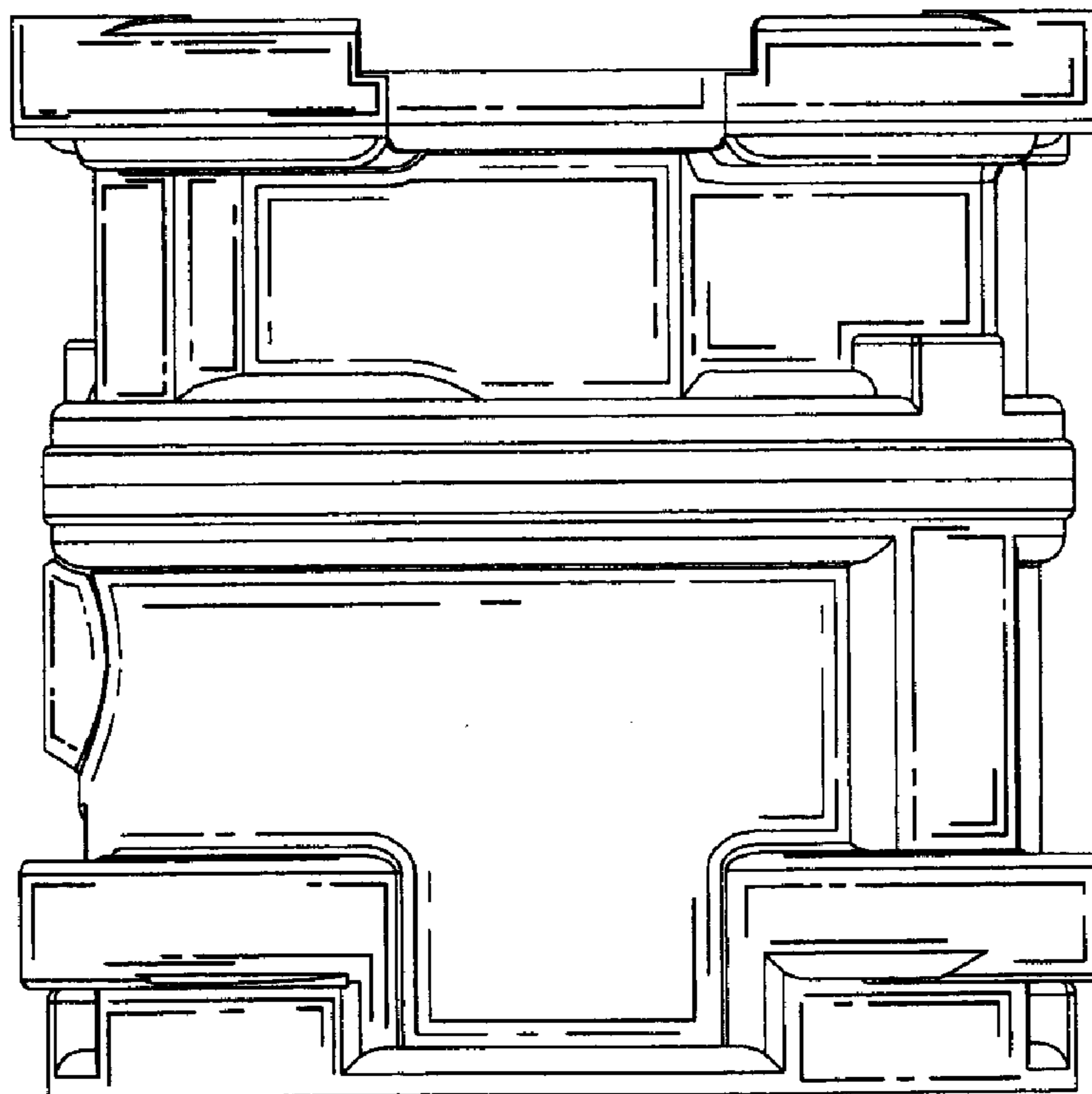


FIG. 6

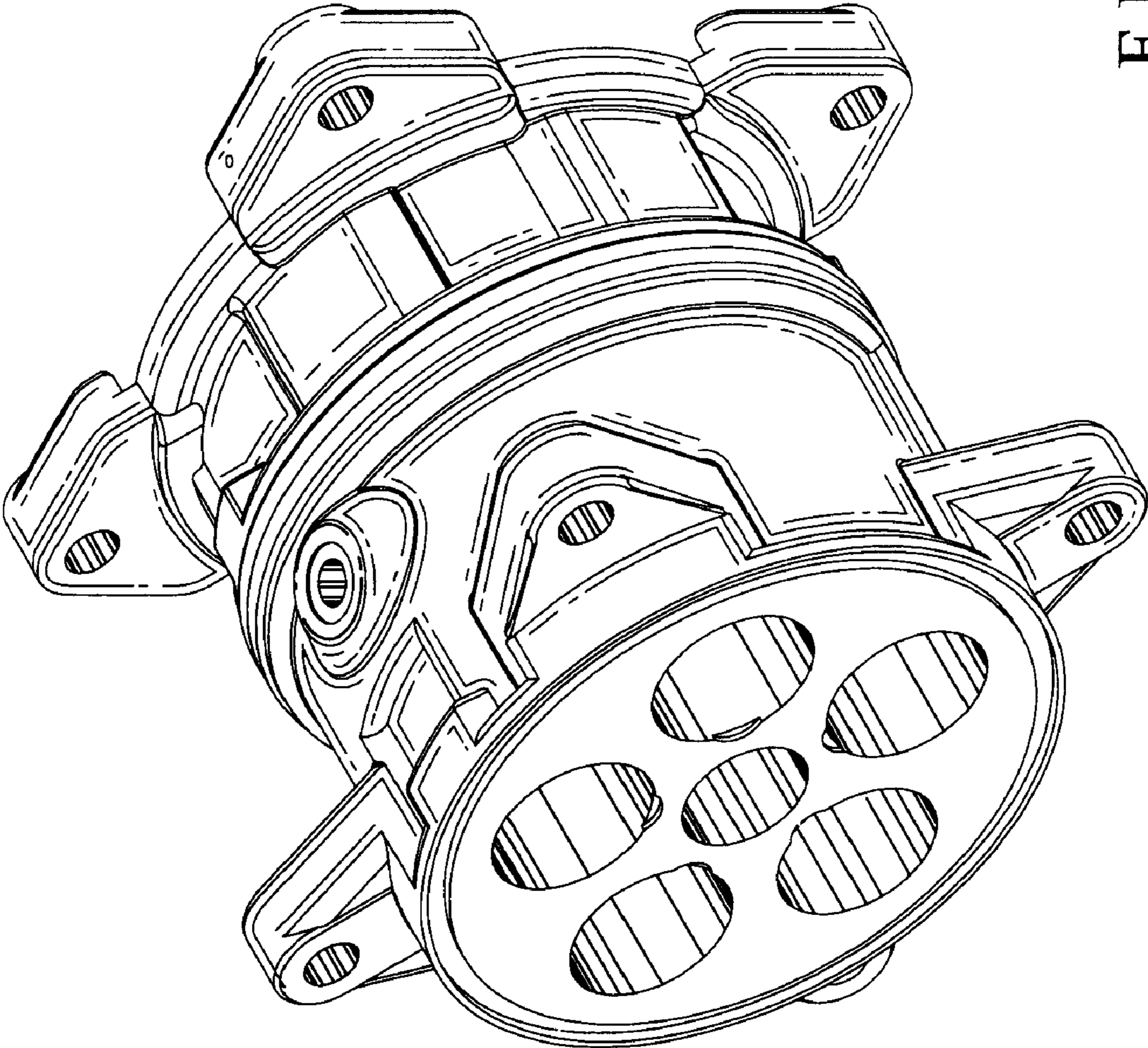


FIG. 8

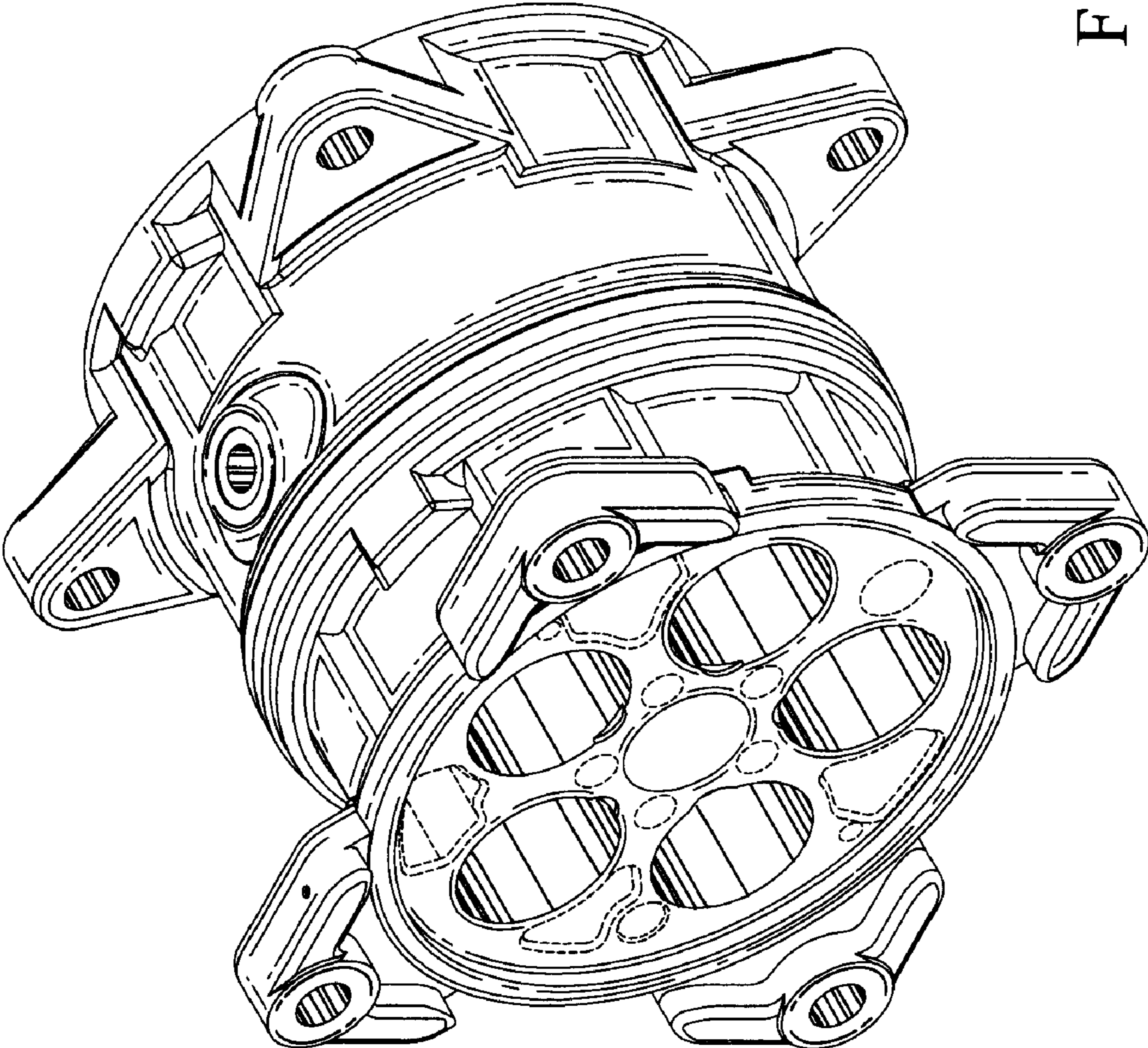


FIG. 9

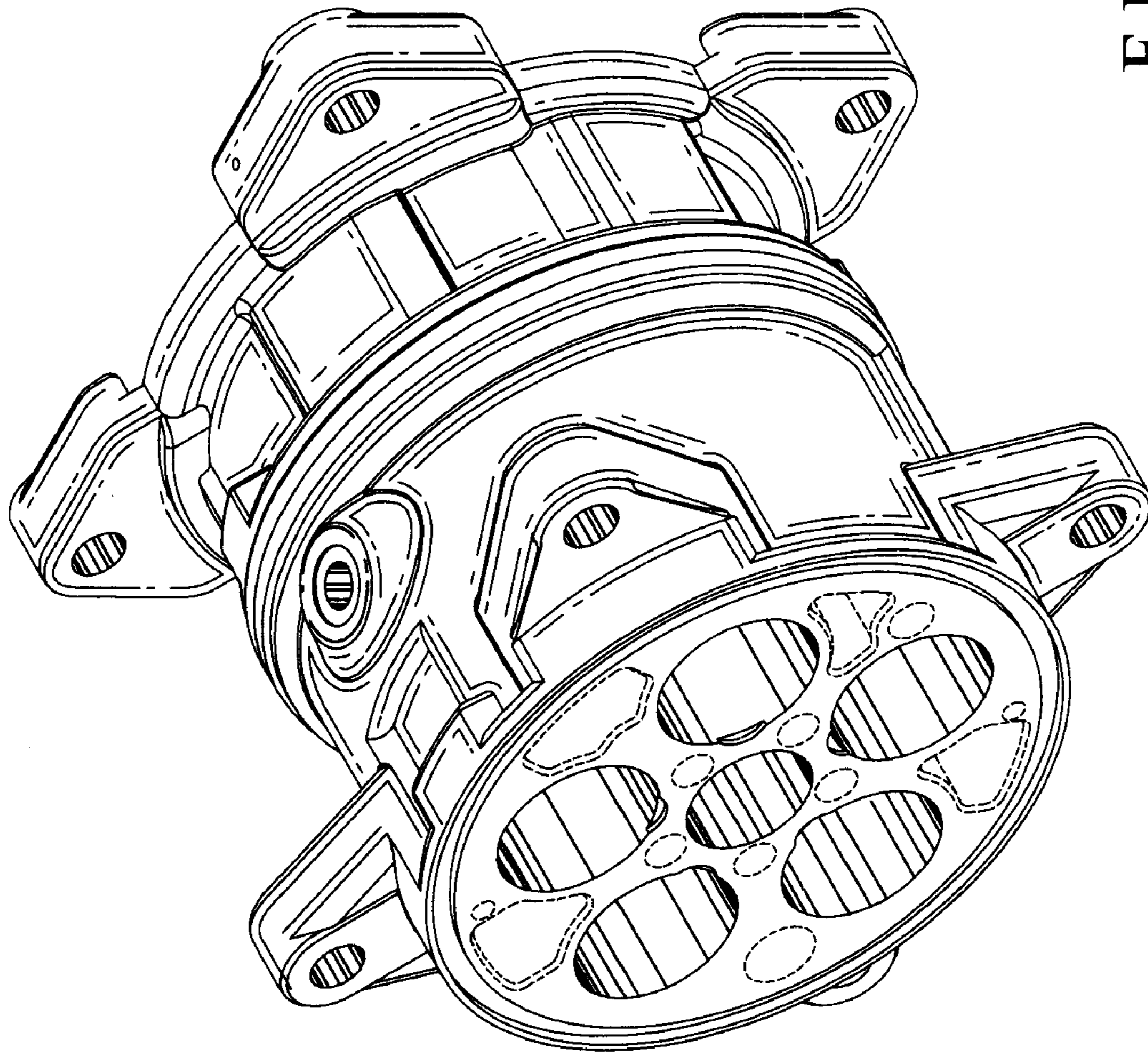


FIG. 10