



US00D549735S

(12) **United States Design Patent**
Moser, III

(10) **Patent No.:** **US D549,735 S**

(45) **Date of Patent:** **** Aug. 28, 2007**

(54) **AIR COMPRESSOR**

D499,744 S * 12/2004 Orschell et al. D15/7

(75) Inventor: **John J. Moser, III**, Scottsdale, AZ
(US)

* cited by examiner

Primary Examiner—Ralf Seifert

(73) Assignee: **Q Industries, Inc.**, Fort Lauderdale, FL
(US)

(74) *Attorney, Agent, or Firm*—Levy & Grandinetti

(**) Term: **14 Years**

(57) **CLAIM**

The ornamental design for an air compressor, as shown.

(21) Appl. No.: **29/265,458**

DESCRIPTION

(22) Filed: **Sep. 1, 2006**

FIG. 1 is a front perspective view showing our new design;

(51) **LOC (8) Cl.** **15-02**

FIG. 2 is a right hand side view thereof;

(52) **U.S. Cl.** **D15/9**

FIG. 3 is a left hand side view thereof;

(58) **Field of Classification Search** D15/7-9;
D23/232, 231; 417/359, 415-416, 410.1,
417/321, 265, 405

FIG. 4 is a rear view thereof;

FIG. 5 is a front view thereof;

See application file for complete search history.

FIG. 6 is a top view thereof; and,

FIG. 7 is a bottom view thereof.

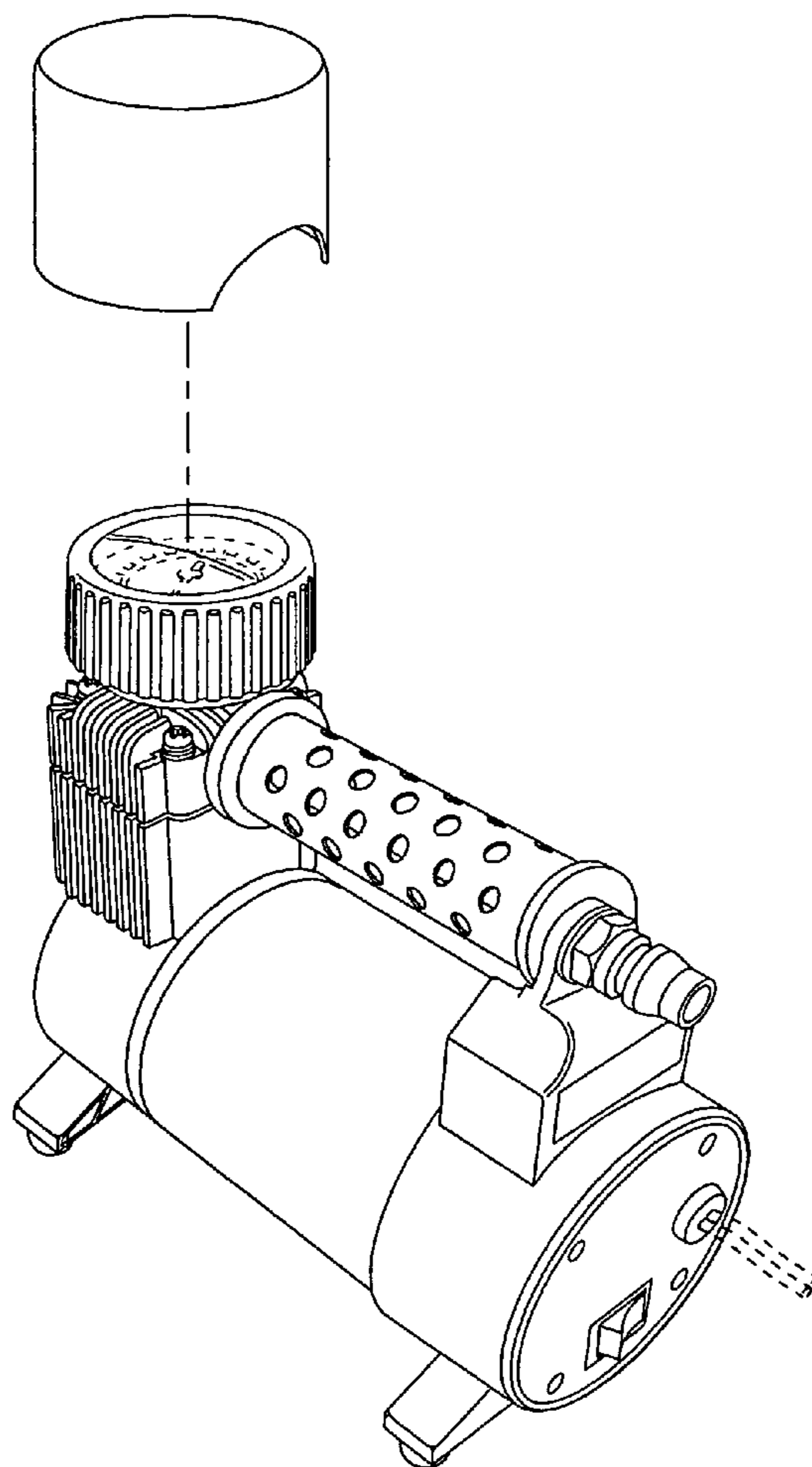
(56) **References Cited**

It being understood that the broken lines are for illustrative purposes only and form no part of the claimed design.

U.S. PATENT DOCUMENTS

- D478,094 S * 8/2003 Scarth et al. D15/9
- D485,282 S * 1/2004 Scarth et al. D15/9

1 Claim, 6 Drawing Sheets



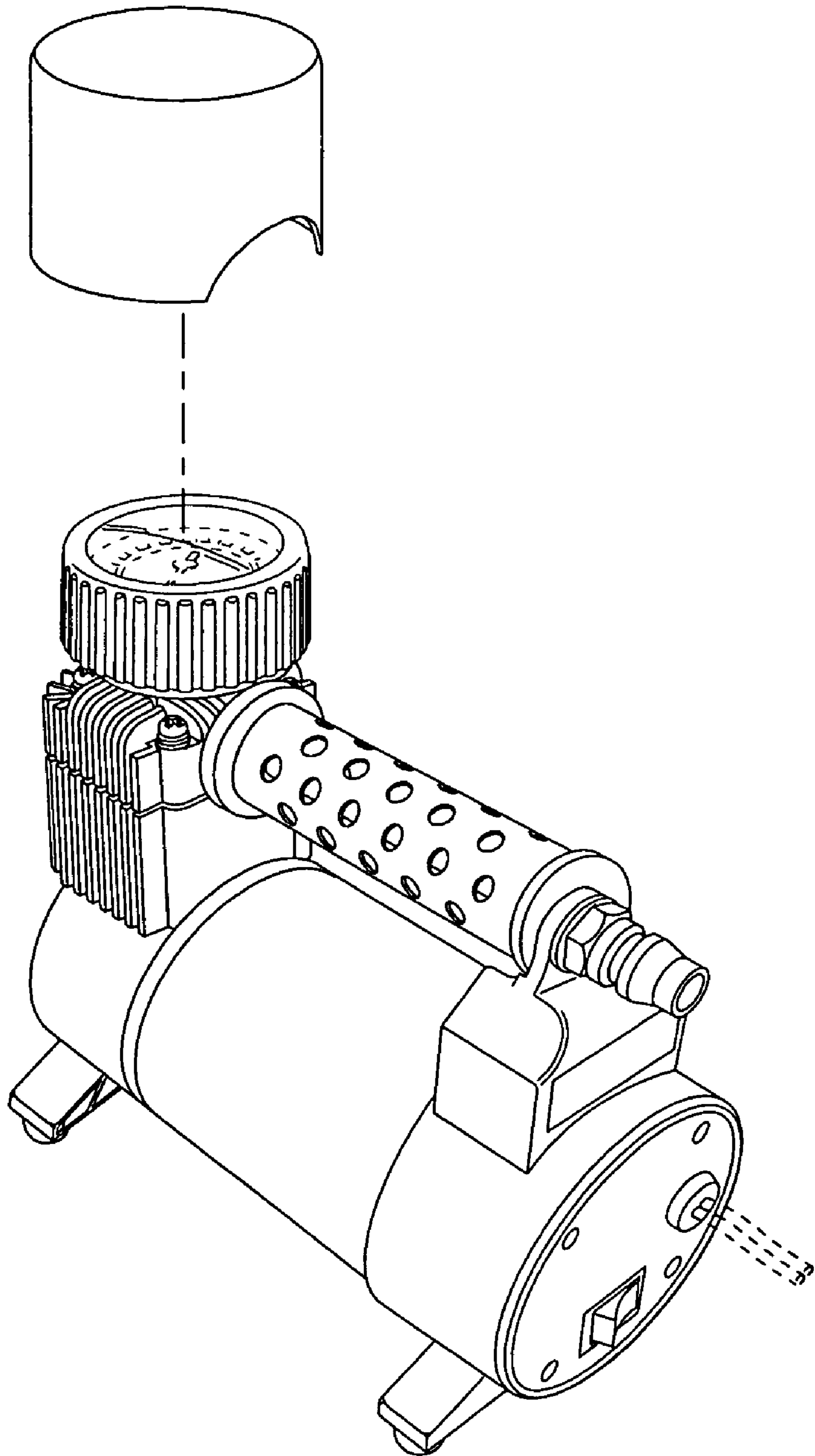


FIG. 1

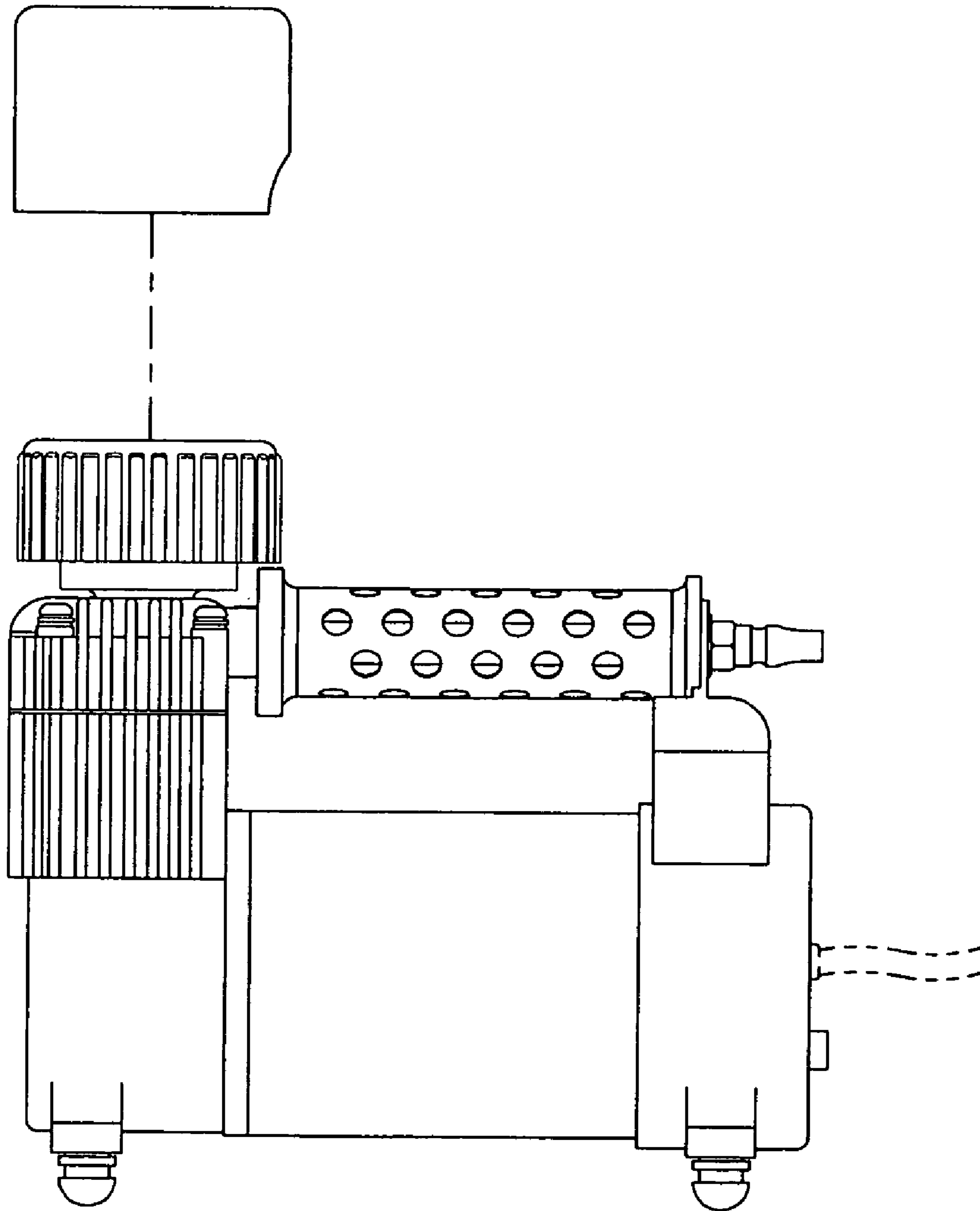


FIG. 2

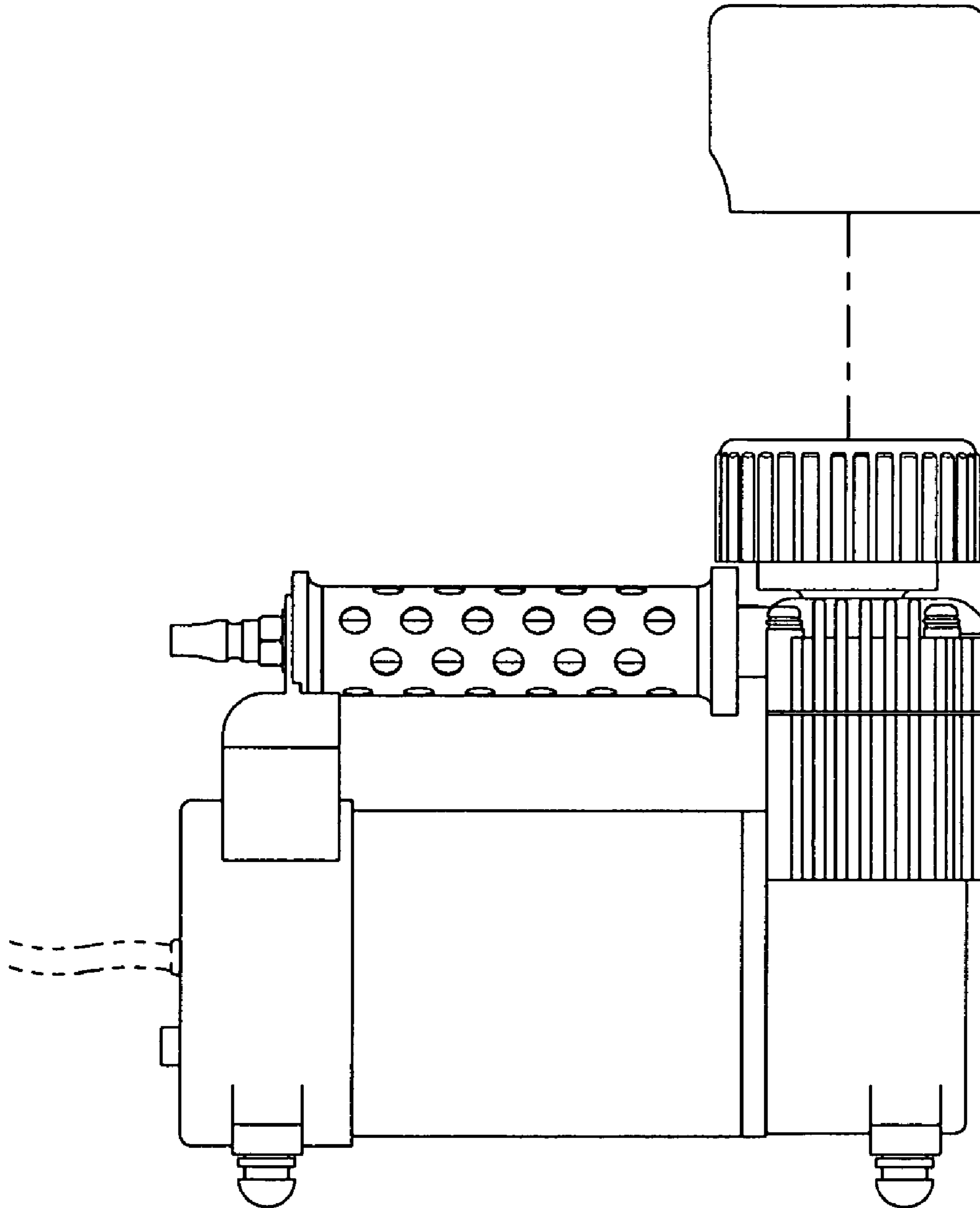


FIG. 3

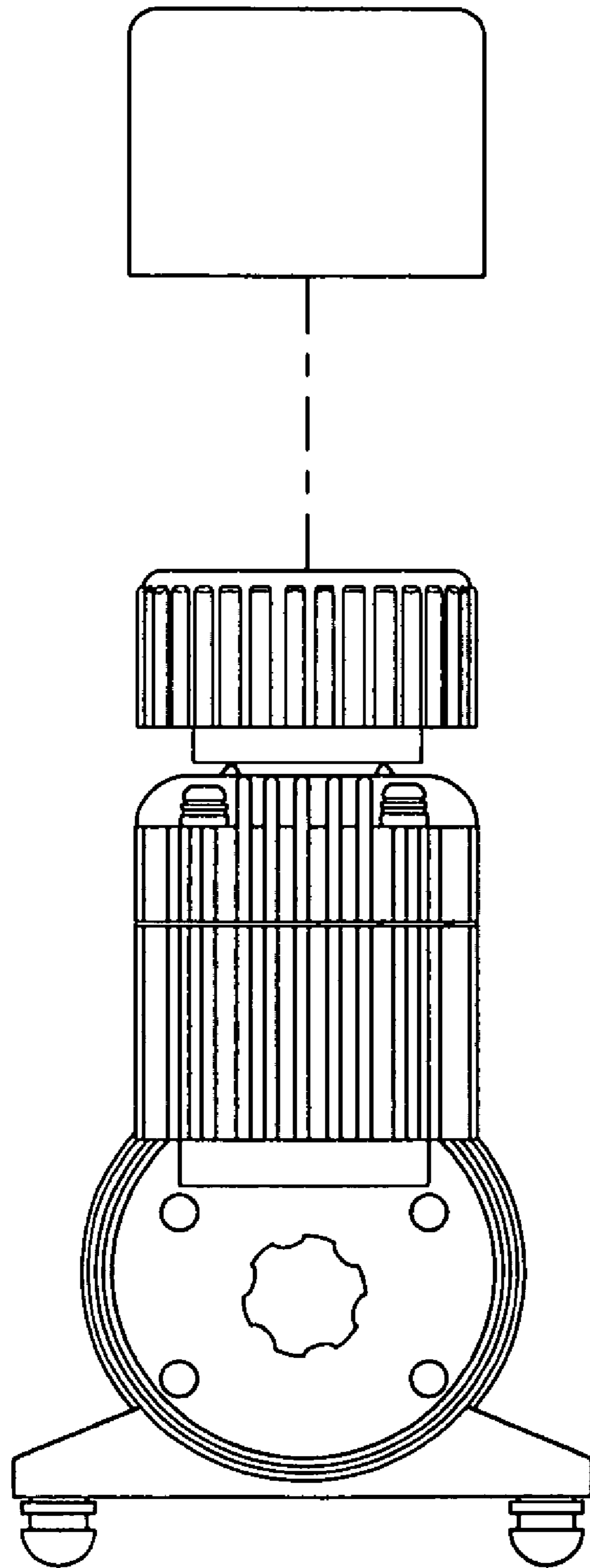


FIG. 4

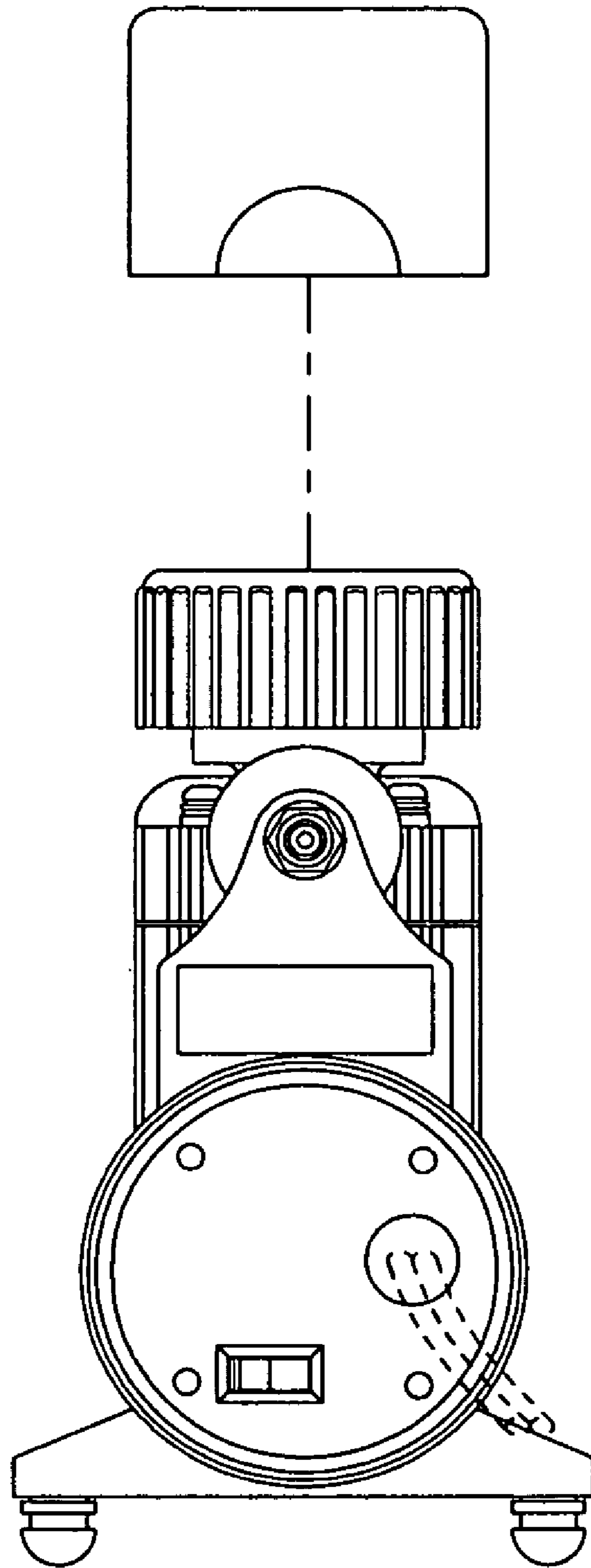


FIG. 5

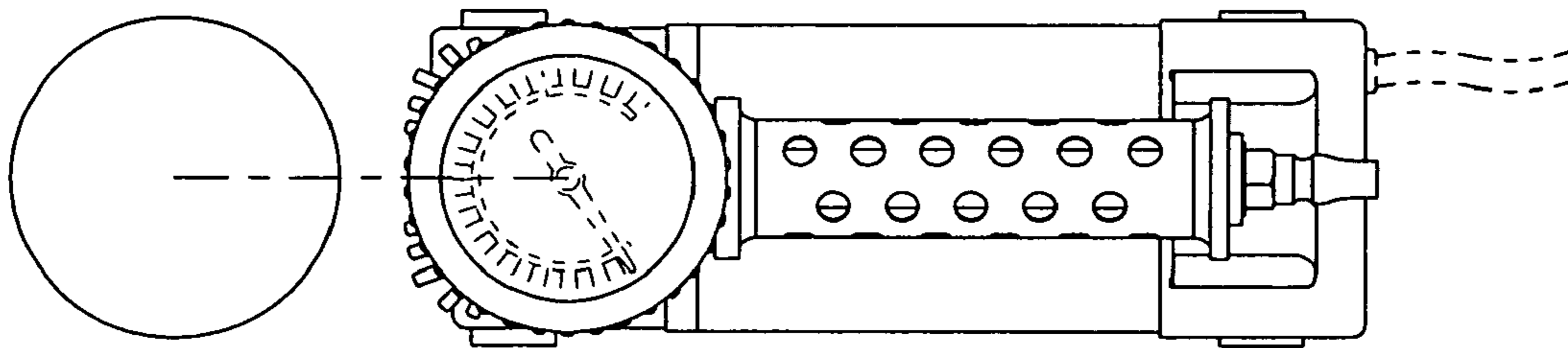


FIG. 6

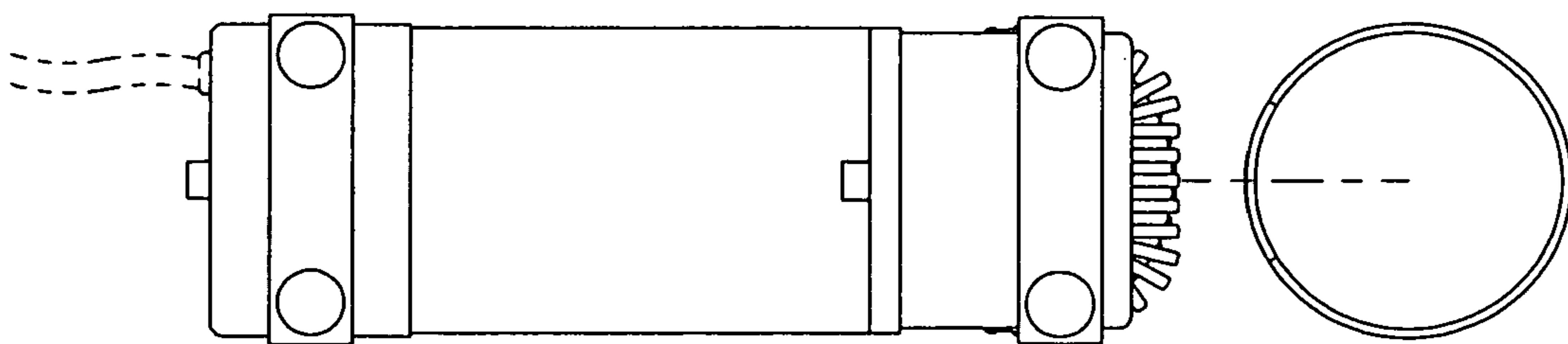


FIG. 7