



US00D549734S

(12) **United States Design Patent**  
**Chern**

(10) **Patent No.:** **US D549,734 S**

(45) **Date of Patent:** **\*\* Aug. 28, 2007**

(54) **SMALL AIR COMPRESSOR**

D499,744 S \* 12/2004 Orschell et al. .... D15/7

(75) Inventor: **Mei-Lien Chern**, Changhua (TW)

\* cited by examiner

(73) Assignee: **Viva Enterprise Co., Ltd.**, Changhua (TW)

*Primary Examiner*—Ralf Seifert

(74) *Attorney, Agent, or Firm*—Rabin & Berdo, P.C.

(\*\*) Term: **14 Years**

(57) **CLAIM**

(21) Appl. No.: **29/270,572**

The ornamental design for a small air compressor, as shown and described.

(22) Filed: **Dec. 28, 2006**

**DESCRIPTION**

(51) **LOC (8) Cl.** ..... **15-02**

FIG. 1 is a front view of a small air compressor showing my new design;

(52) **U.S. Cl.** ..... **D15/7**

FIG. 2 is a rear view thereof;

(58) **Field of Classification Search** ..... D15/7-9;

FIG. 3 is a left side view thereof;

D23/232, 231; 417/359, 415-416, 410.1, 417/321, 265, 405

FIG. 4 is a right side view thereof;

See application file for complete search history.

FIG. 5 is a top plan view thereof;

(56) **References Cited**

FIG. 6 is a bottom plan view thereof; and,

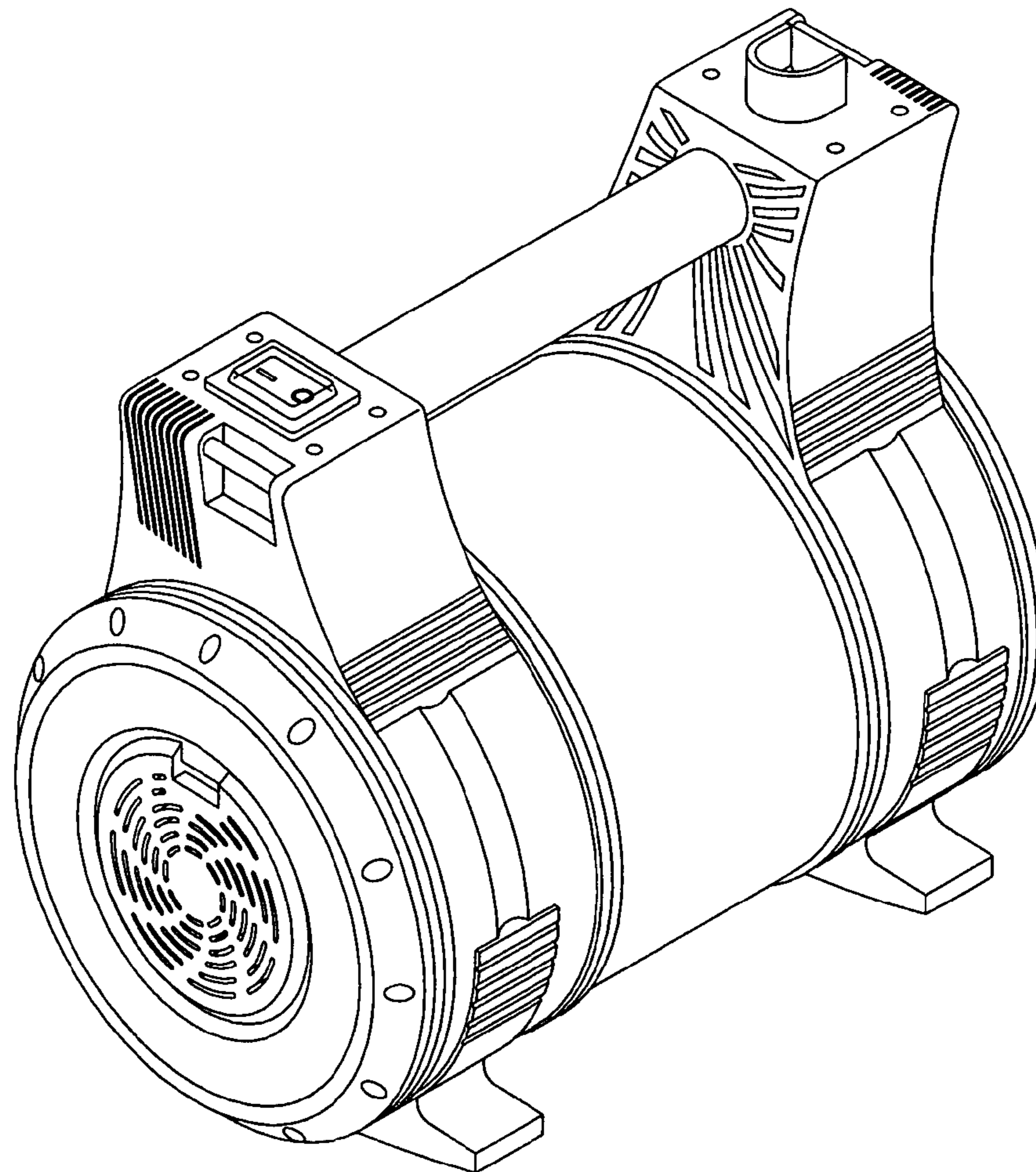
**U.S. PATENT DOCUMENTS**

FIG. 7 is a perspective view thereof.

D478,094 S \* 8/2003 Scarth et al. .... D15/9

D485,282 S \* 1/2004 Scarth et al. .... D15/9

**1 Claim, 4 Drawing Sheets**



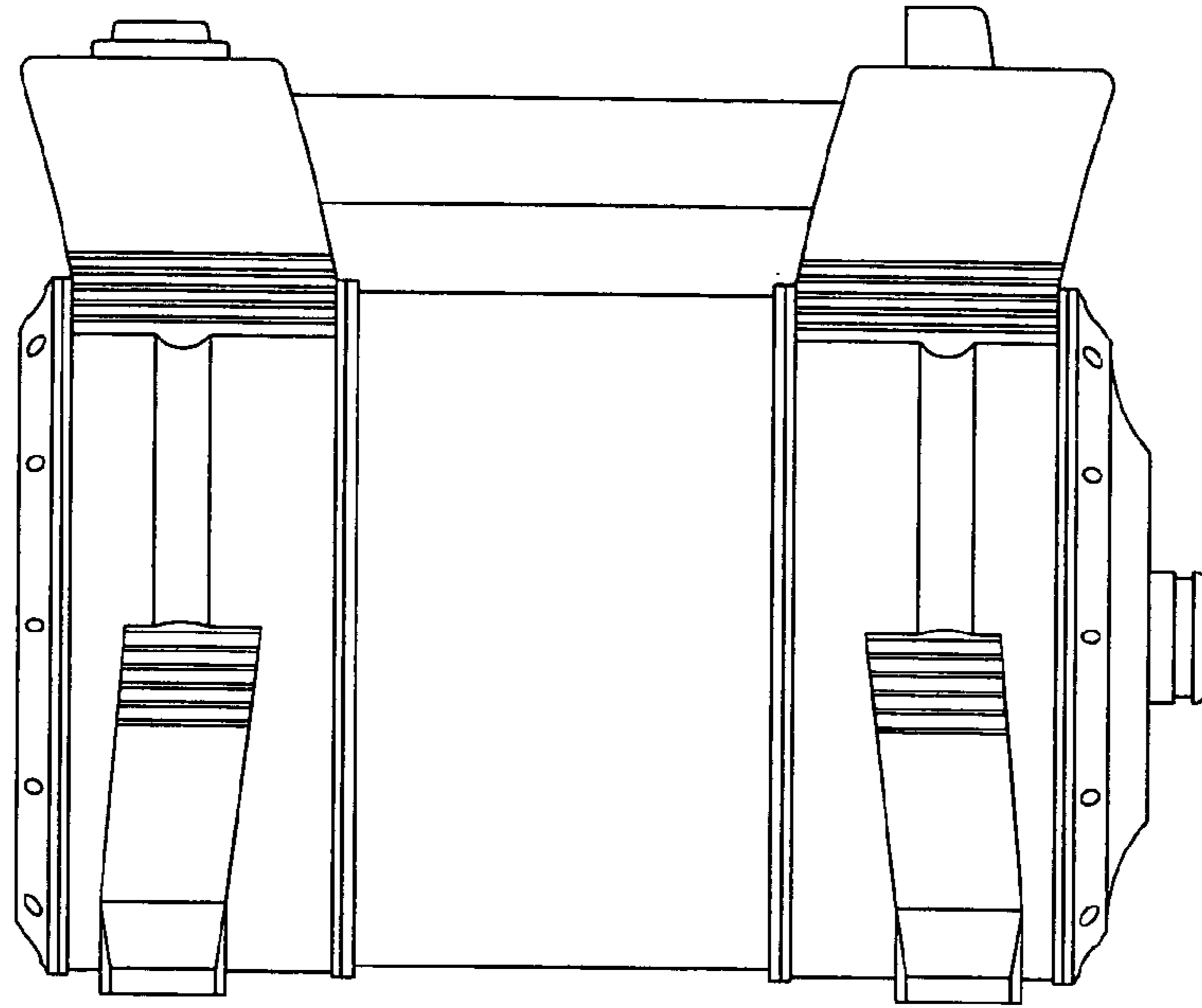


FIG. 1

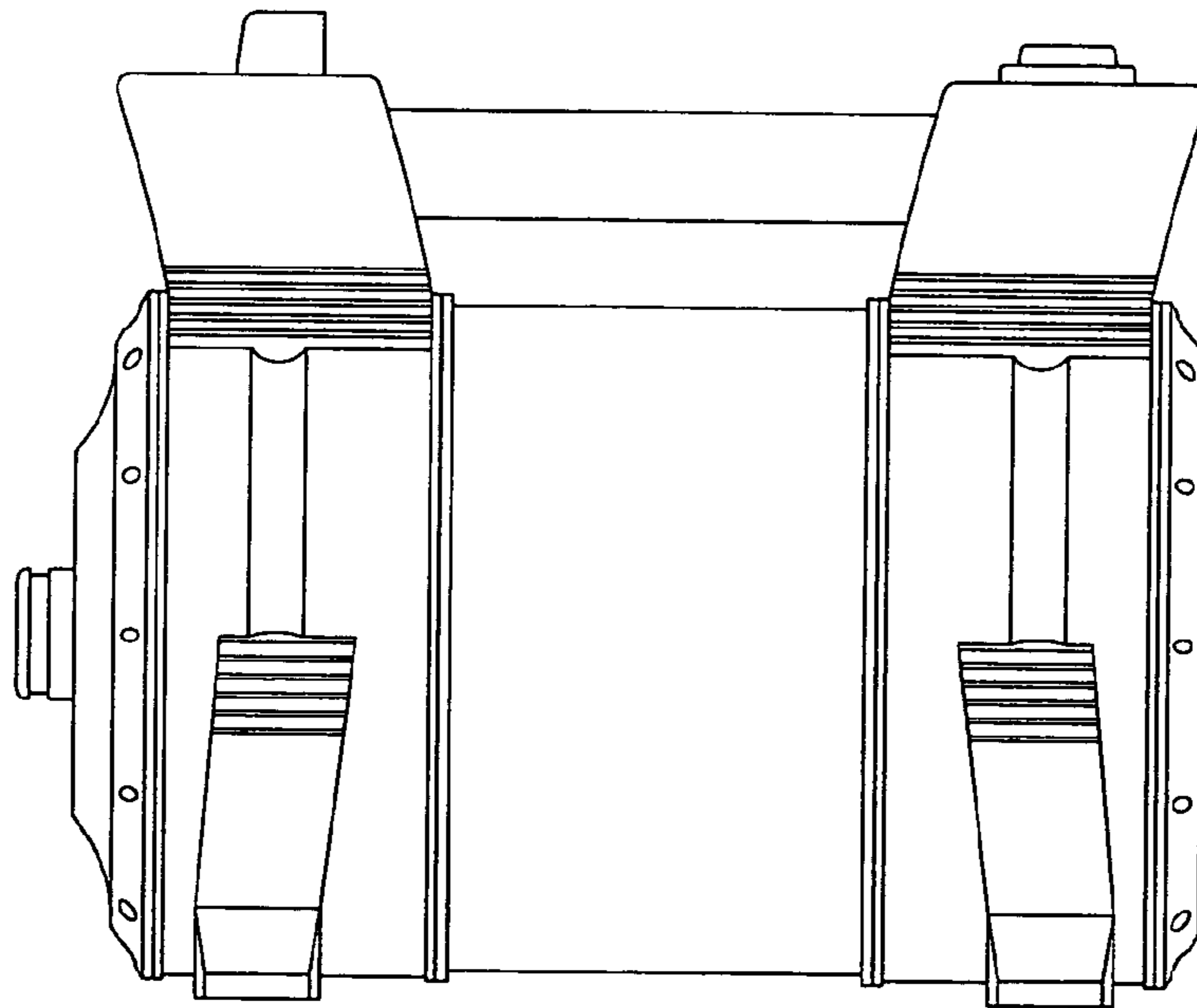


FIG. 2

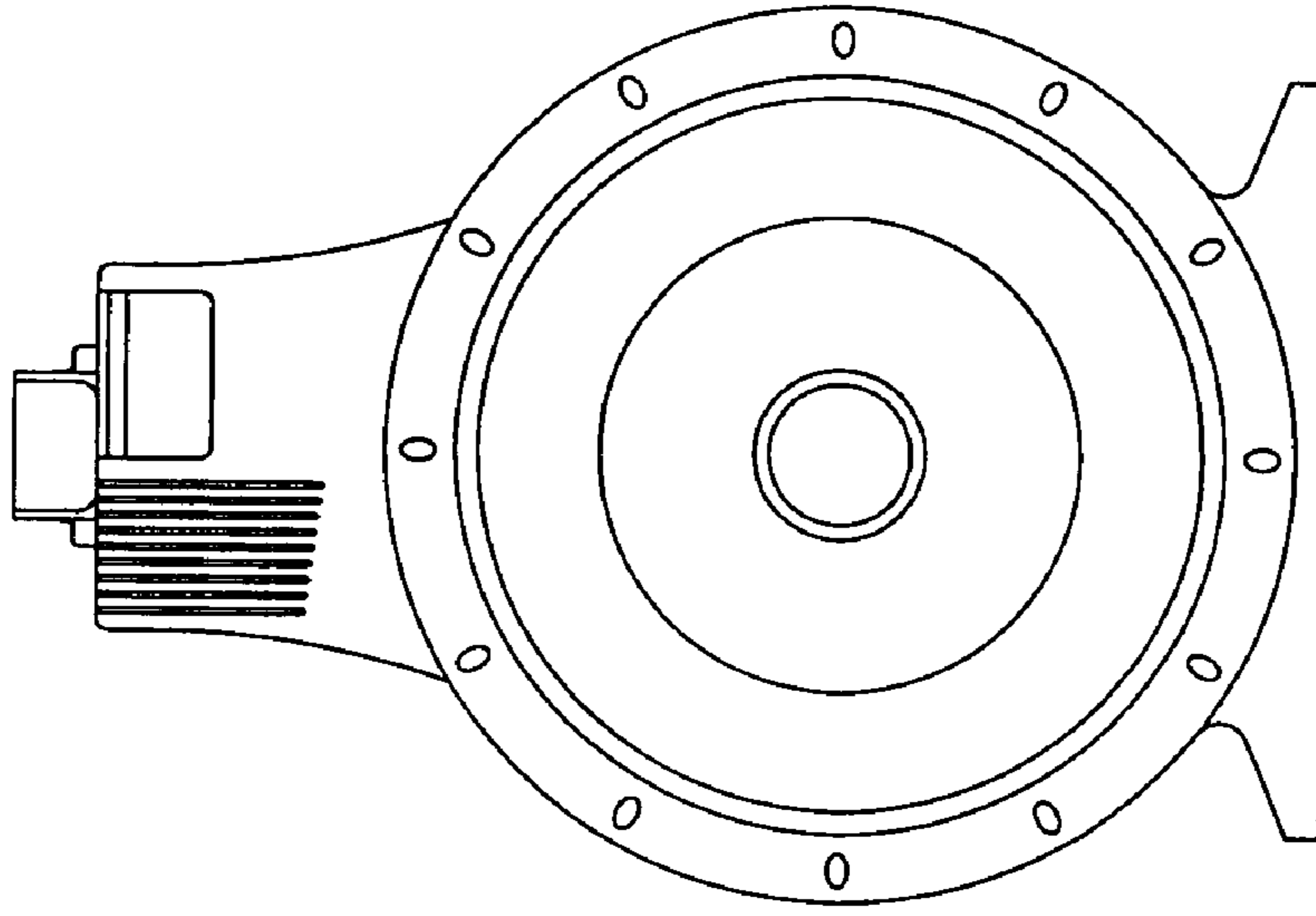


FIG. 4

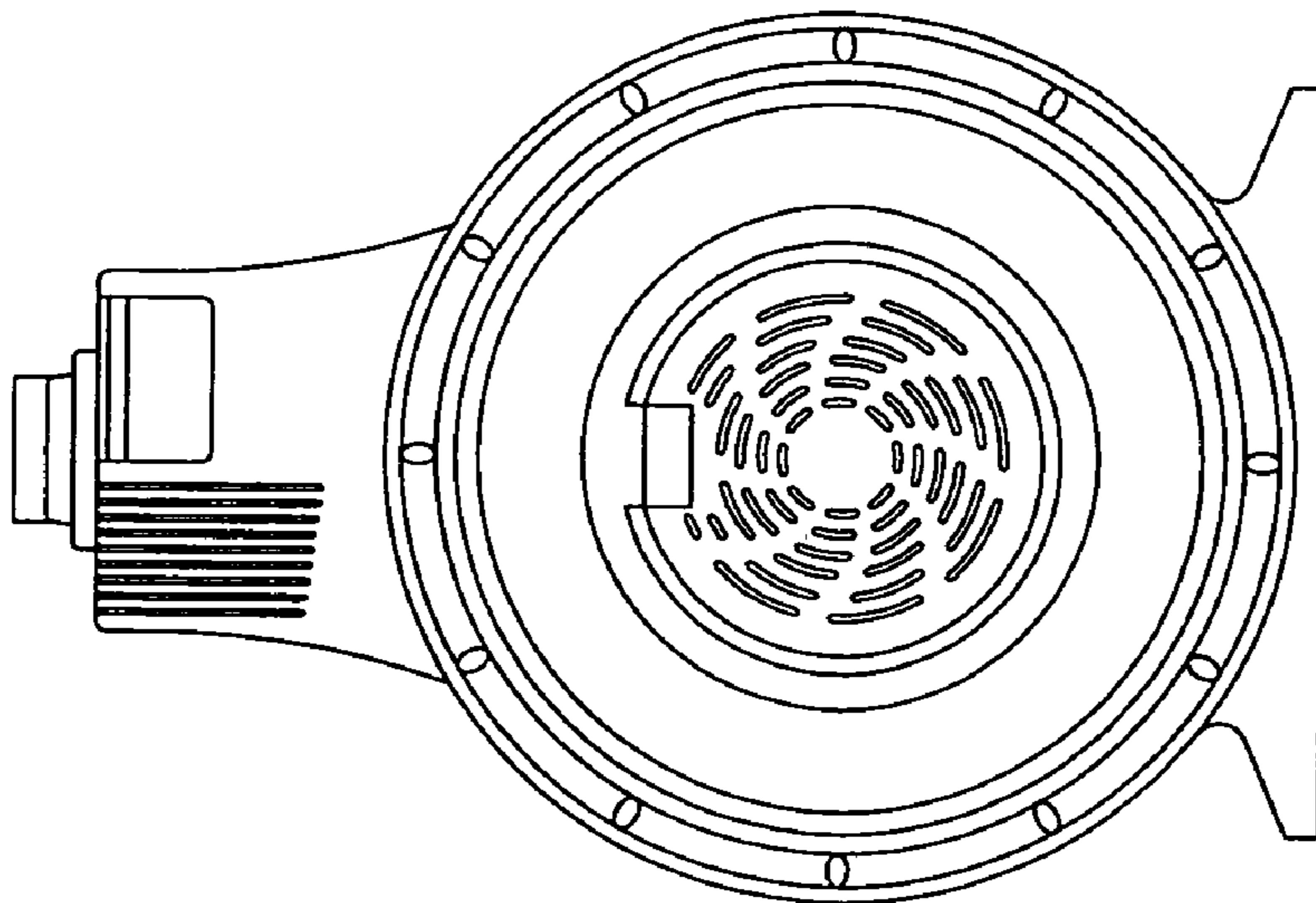


FIG. 3

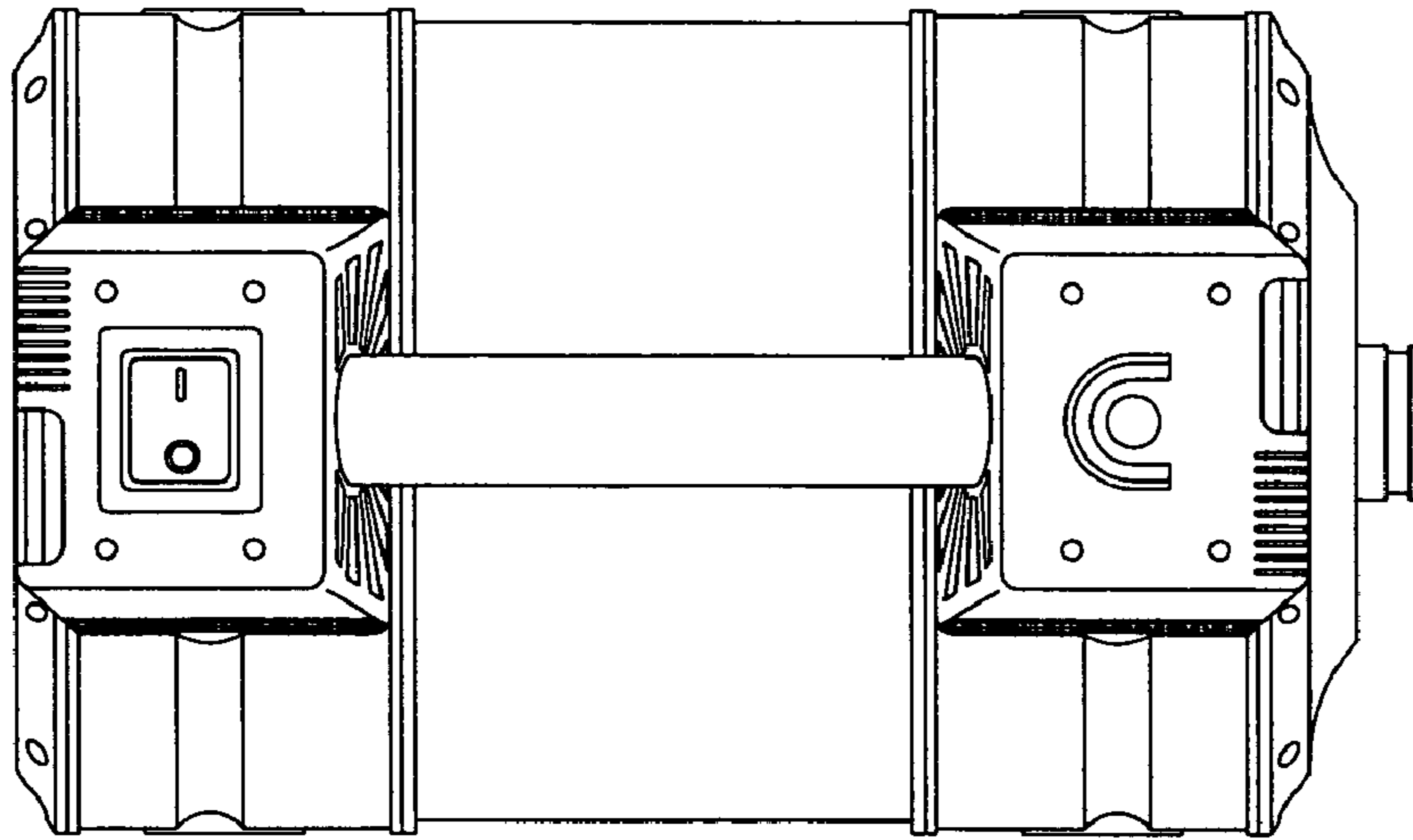


FIG. 5

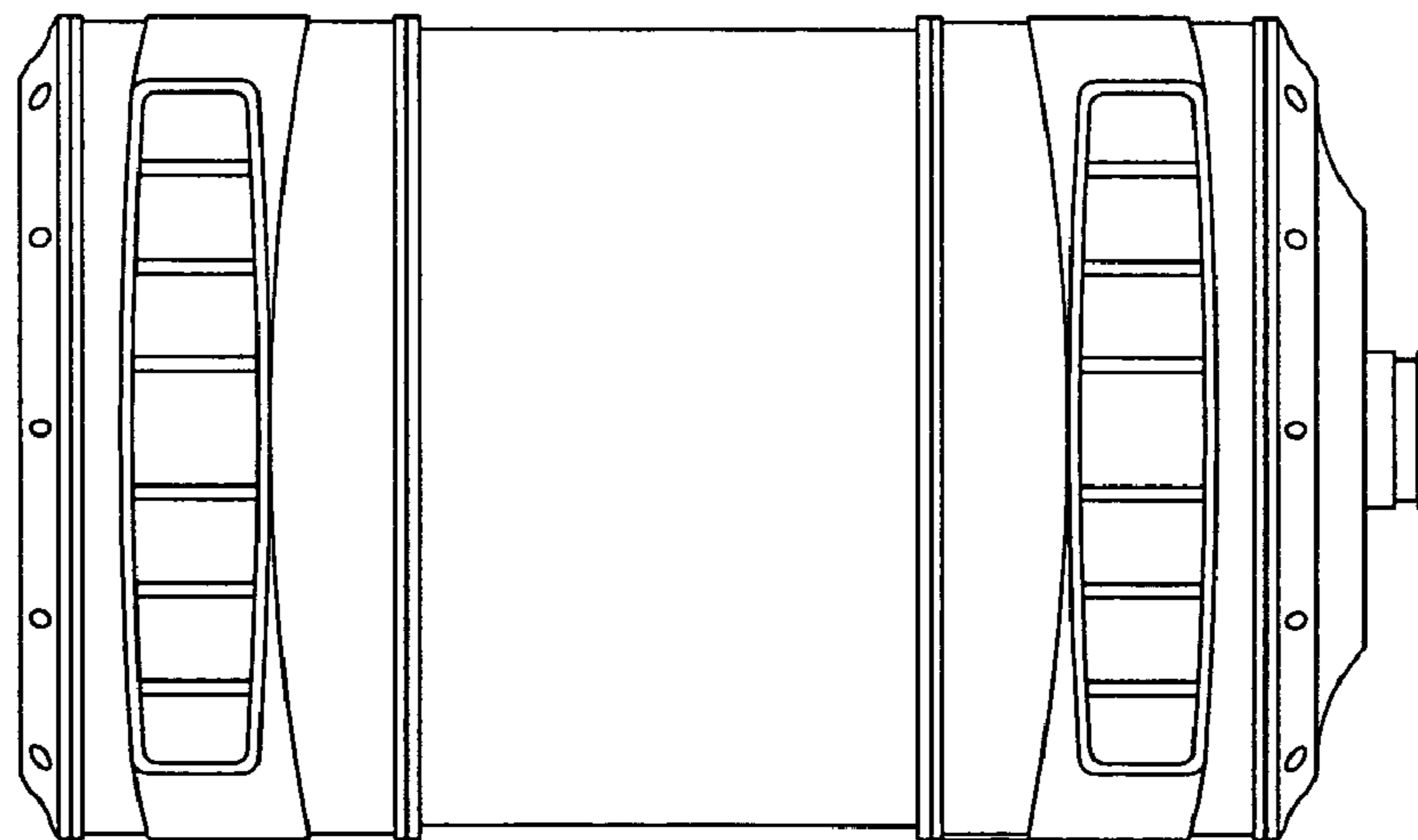


FIG. 6

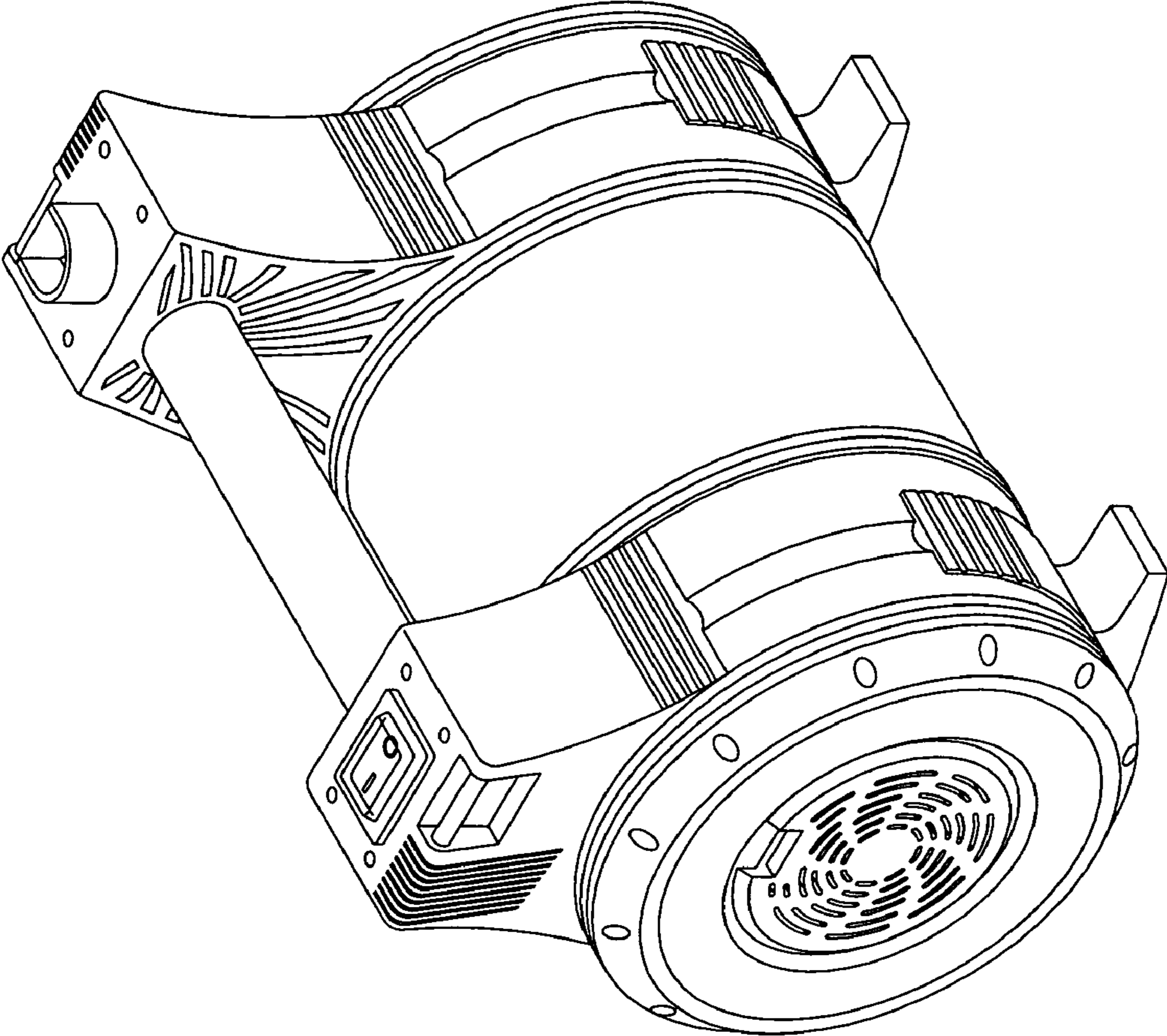


FIG. 7