



US00D549731S

(12) **United States Design Patent**
Demirdogen et al.

(10) **Patent No.:** **US D549,731 S**

(45) **Date of Patent:** **** Aug. 28, 2007**

(54) **VEHICLE DIFFERENTIAL CASE**

(75) Inventors: **Caner Demirdogen**, Kalamazoo, MI (US); **James Ridge**, Portage, MI (US); **James F. Ziech**, Kalamazoo, MI (US)

(73) Assignee: **Dana Corporation**, Toledo, OH (US)

(**) Term: **14 Years**

(21) Appl. No.: **29/240,905**

(22) Filed: **Oct. 20, 2005**

(51) **LOC (8) Cl.** **15-01**

(52) **U.S. Cl.** **D15/5**

(58) **Field of Classification Search** D15/1-5;
475/230, 231, 248, 249, 250, 317, 331, 338,
475/339, 342, 340, 341, 320, 321, 322; 74/606 R
See application file for complete search history.

(56) **References Cited**

U.S. PATENT DOCUMENTS

1,097,843	A	5/1914	Brown	
1,658,571	A	2/1928	Ormsby	
4,455,889	A	6/1984	Hauser	
5,857,936	A	1/1999	Ishikawa	
5,938,558	A *	8/1999	Eybergen et al.	475/231
5,980,417	A *	11/1999	Wopshall, Jr.	475/230
5,989,147	A	11/1999	Forrest et al.	
6,014,915	A	1/2000	Evans	
6,061,907	A	5/2000	Victoria	

6,413,183	B1	7/2002	Ishikawa	
D462,256	S *	9/2002	Jaynes	D8/382
6,743,136	B1 *	6/2004	Jensen	475/160
6,814,176	B2 *	11/2004	Greil	180/374

FOREIGN PATENT DOCUMENTS

WO WO 00/23731 4/2000

* cited by examiner

Primary Examiner—Ian Simmons

Assistant Examiner—Maurice Stevens

(74) *Attorney, Agent, or Firm*—Marshall & Melhorn, LLC

(57) **CLAIM**

The ornamental design for the vehicle differential case, as shown and described.

DESCRIPTION

FIG. 1 is a top view of a vehicle differential case showing our new design, the bottom view, front view and back view being mirror images;

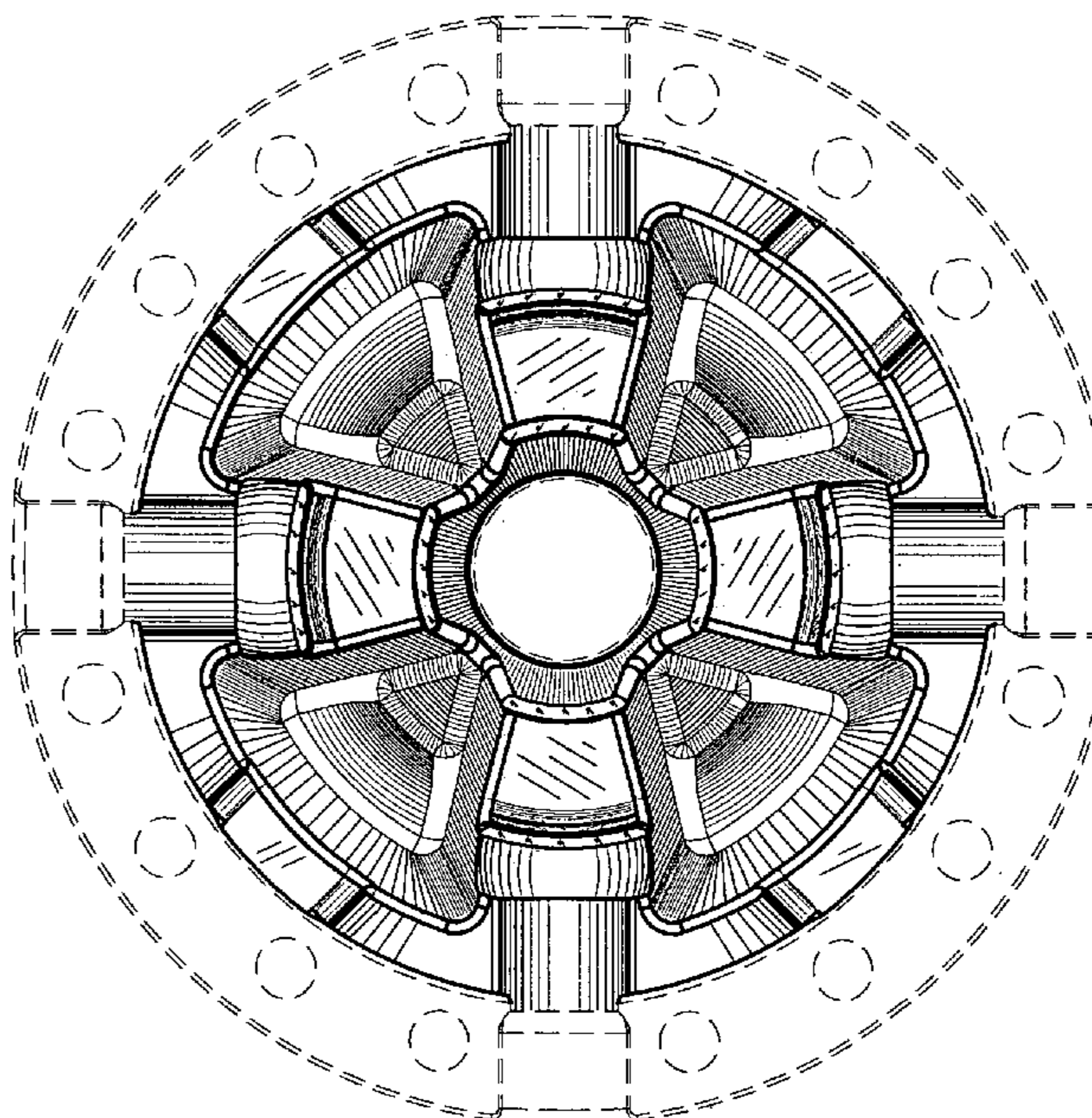
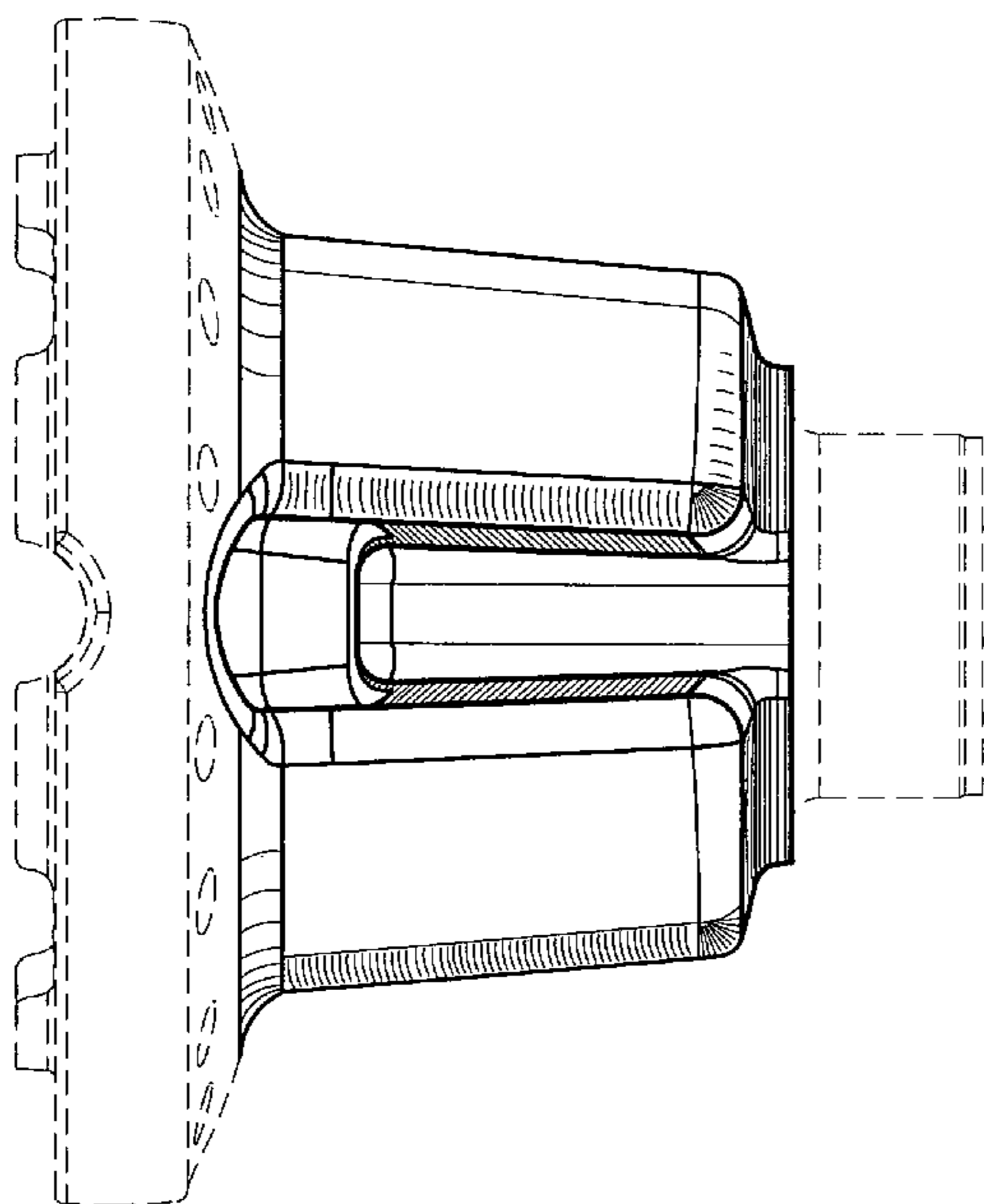
FIG. 2 is a right end view thereof;

FIG. 3 is a left end view thereof; and,

FIG. 4 is a perspective view thereof.

The broken lines shown in FIGS. 1-4 are included for the purpose of illustrating environment and form no part of the claimed design.

1 Claim, 4 Drawing Sheets



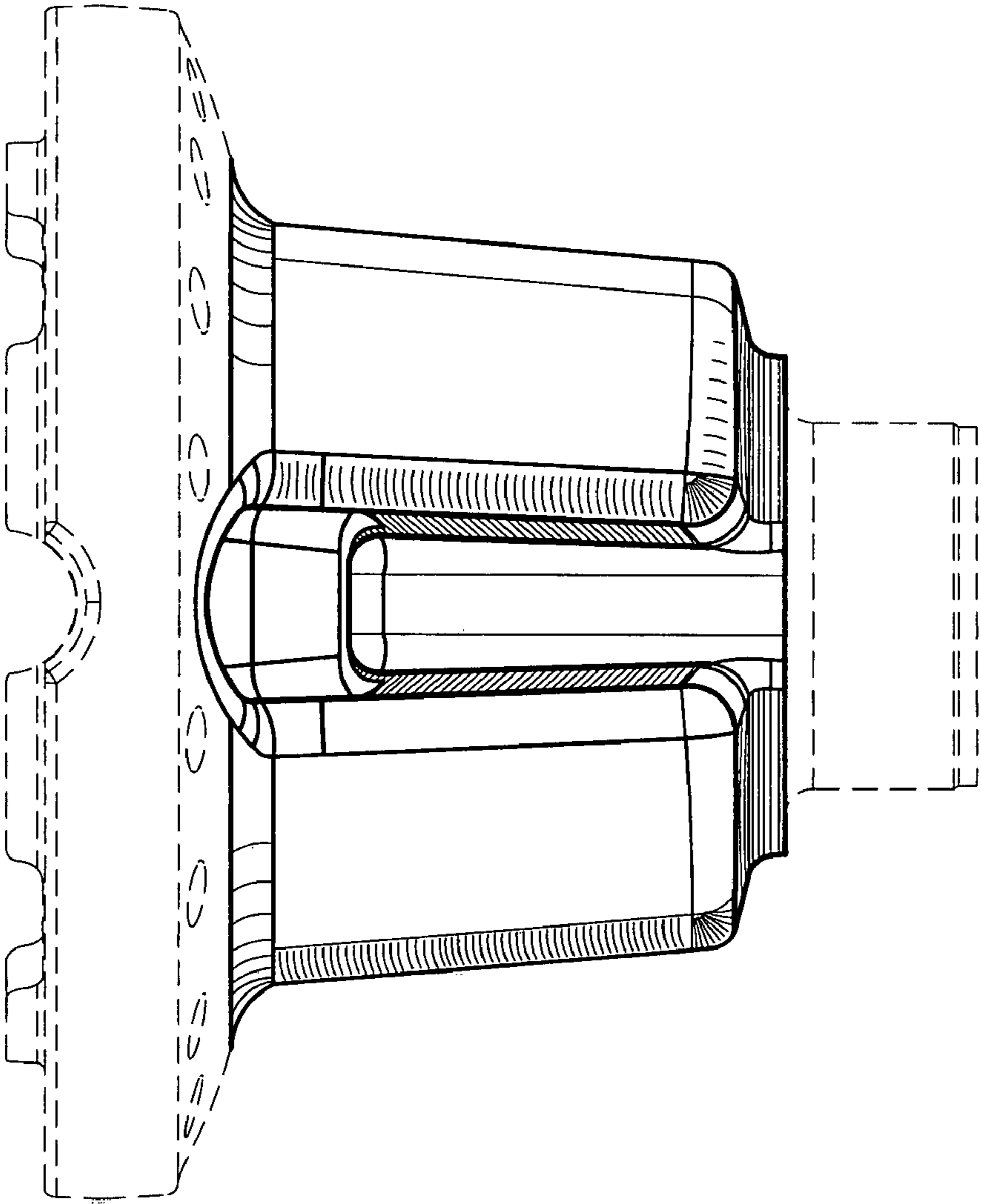


Fig. 1

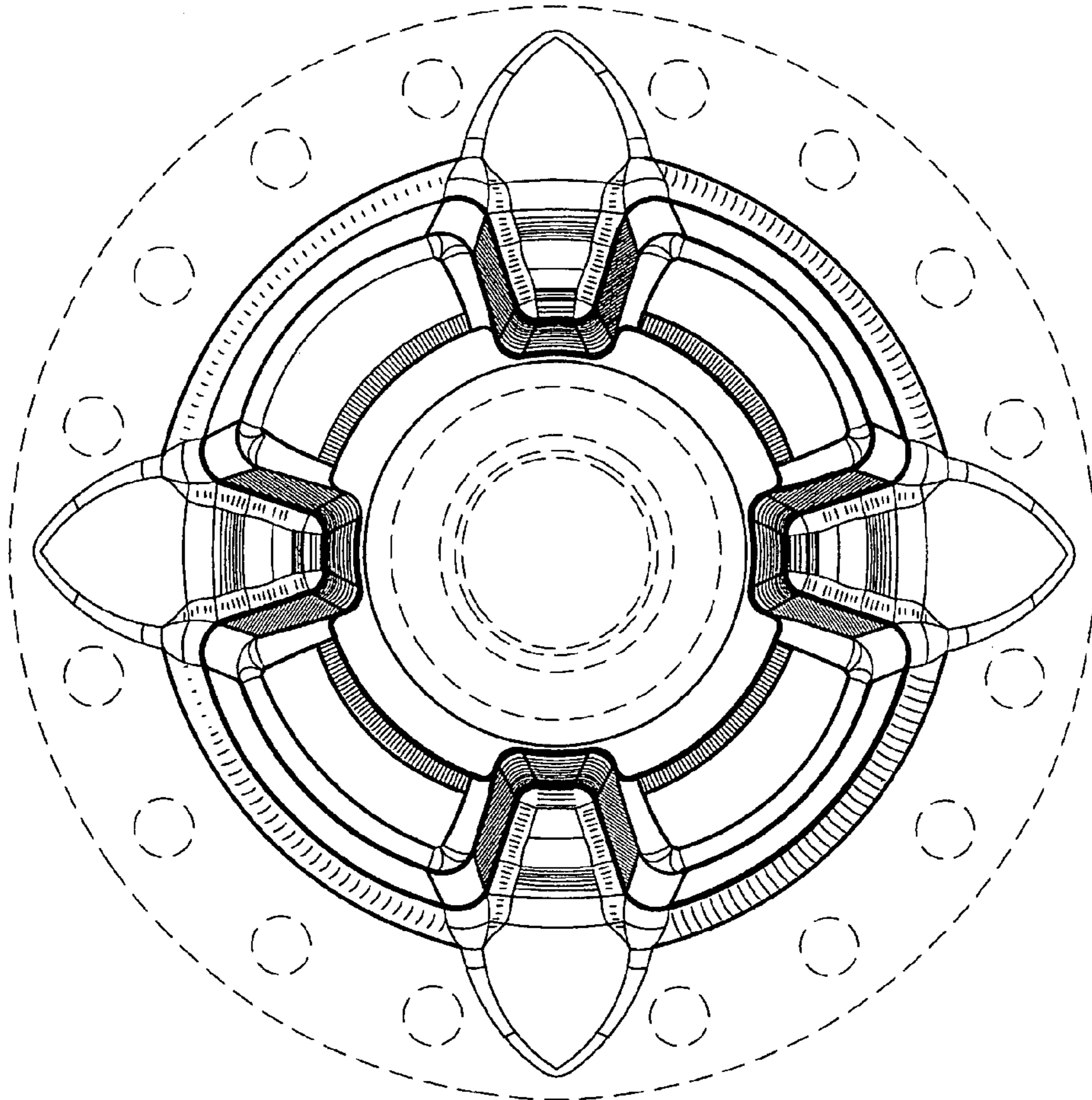


Fig. 2

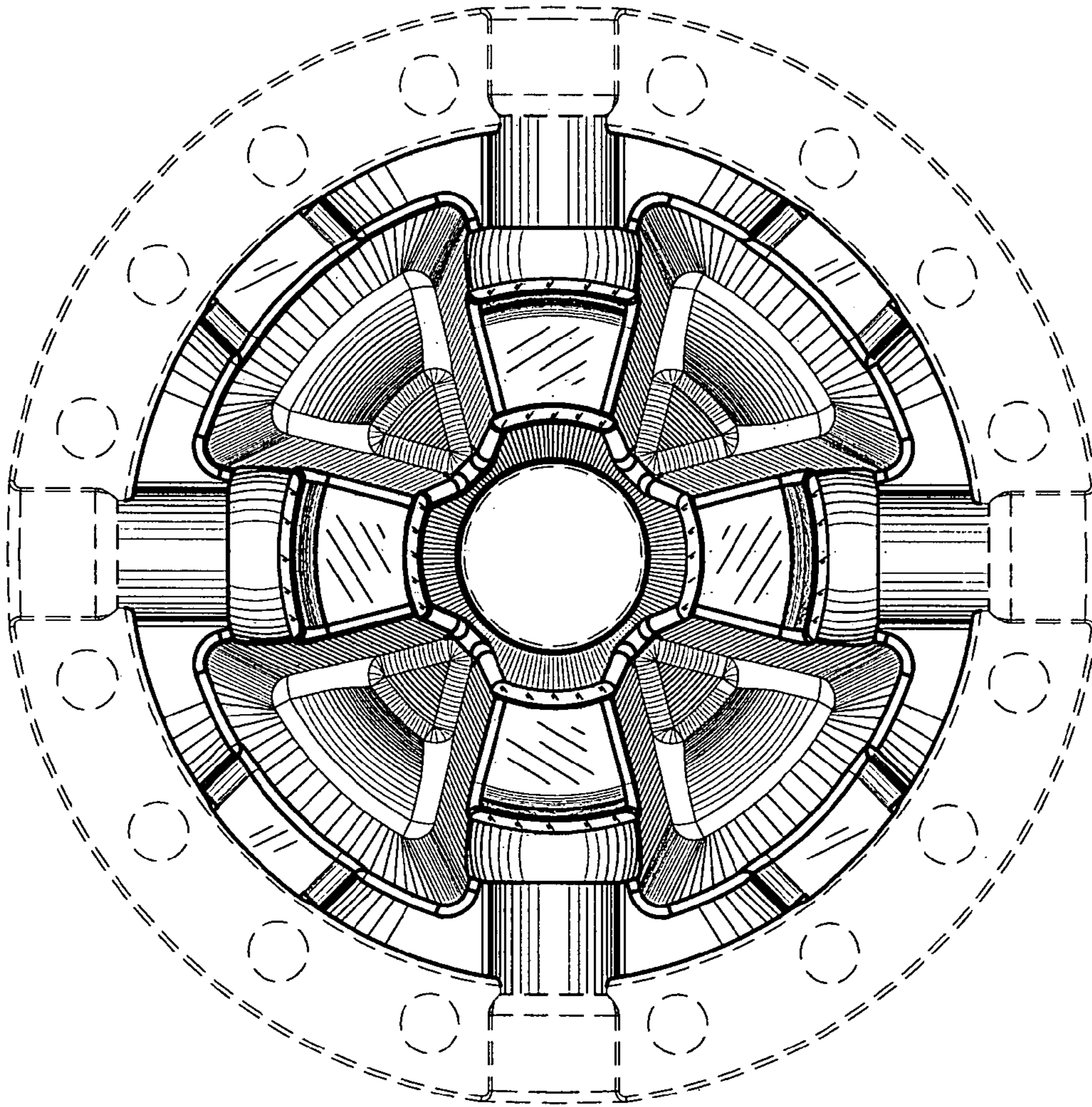


Fig. 3

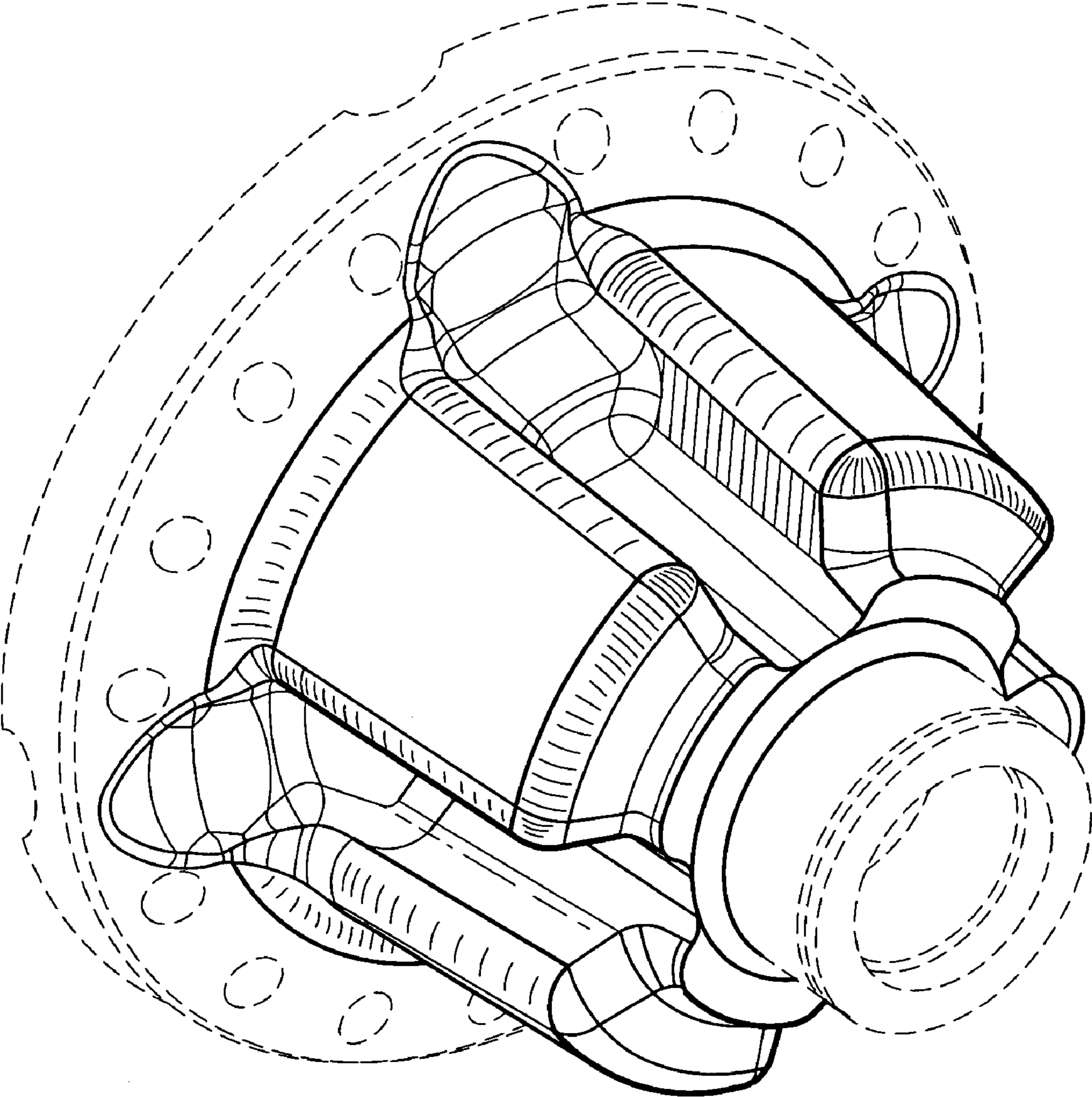


Fig. 4