



US00D549722S

(12) **United States Design Patent**
Ito et al.

(10) **Patent No.: US D549,722 S**

(45) **Date of Patent: ** Aug. 28, 2007**

(54) **GRAPHIC USER INTERFACE FOR DISPLAY FOR CONSTRUCTION MACHINE**

(75) Inventors: **Eitaro Ito**, Kokubunji (JP); **Tsutomu Fujii**, Yokohama (JP); **Kenichi Sagiya**, Chikusei (JP); **Yasushi Tokuda**, Kasumigaura (JP); **Yutaka Watanabe**, Kasumigaura (JP); **Takao Kurosawa**, Ushiku (JP)

(73) Assignee: **Hitachi Construction Machinery Co., Ltd.**, Tokyo (JP)

(**) Term: **14 Years**

(21) Appl. No.: **29/268,957**

(22) Filed: **Nov. 17, 2006**

(51) **LOC (8) Cl.** **14-04**

(52) **U.S. Cl.** **D14/488**

(58) **Field of Classification Search** D14/485-495; D18/24-33; D19/6; D20/11; D21/324-333; 715/700-867, 973-977; D10/2, 4, 6, 10, D10/14, 15, 98, 102, 123, 124, 126; D12/192
See application file for complete search history.

(56) **References Cited**

U.S. PATENT DOCUMENTS

D307,127 S * 4/1990 Simons et al. D12/192

D450,023 S * 11/2001 Rayburn D12/192
D452,693 S * 1/2002 Mitchell D14/492
D490,759 S * 6/2004 Iohara D12/192
D492,630 S * 7/2004 Kraus et al. D12/192
D494,518 S * 8/2004 Kraus et al. D12/192
D494,905 S * 8/2004 Kraus et al. D12/192
D506,425 S * 6/2005 Kraus et al. D12/192
D513,485 S * 1/2006 Pfeiffer D12/192
D514,041 S * 1/2006 Pfeiffer D12/192
7,091,839 B2 * 8/2006 Situ et al. 340/438
D533,474 S * 12/2006 Megale et al. D10/102

* cited by examiner

Primary Examiner—Alan P. Douglas

Assistant Examiner—Deanna Fluegeman

(74) *Attorney, Agent, or Firm*—Antonelli, Terry, Stout & Kraus, LLP.

(57) **CLAIM**

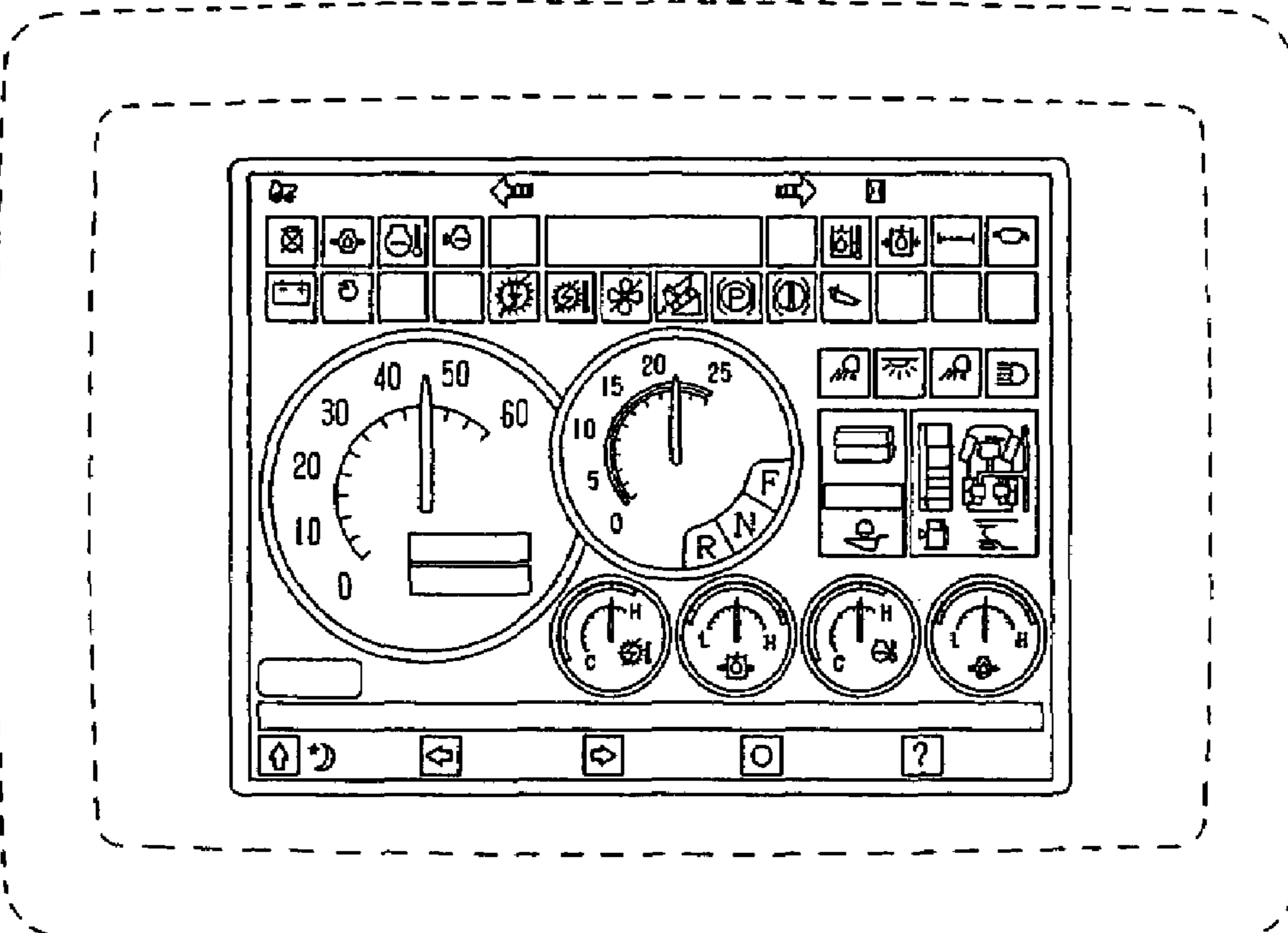
We claim the ornamental design for graphic user interface for display for construction machine, as shown.

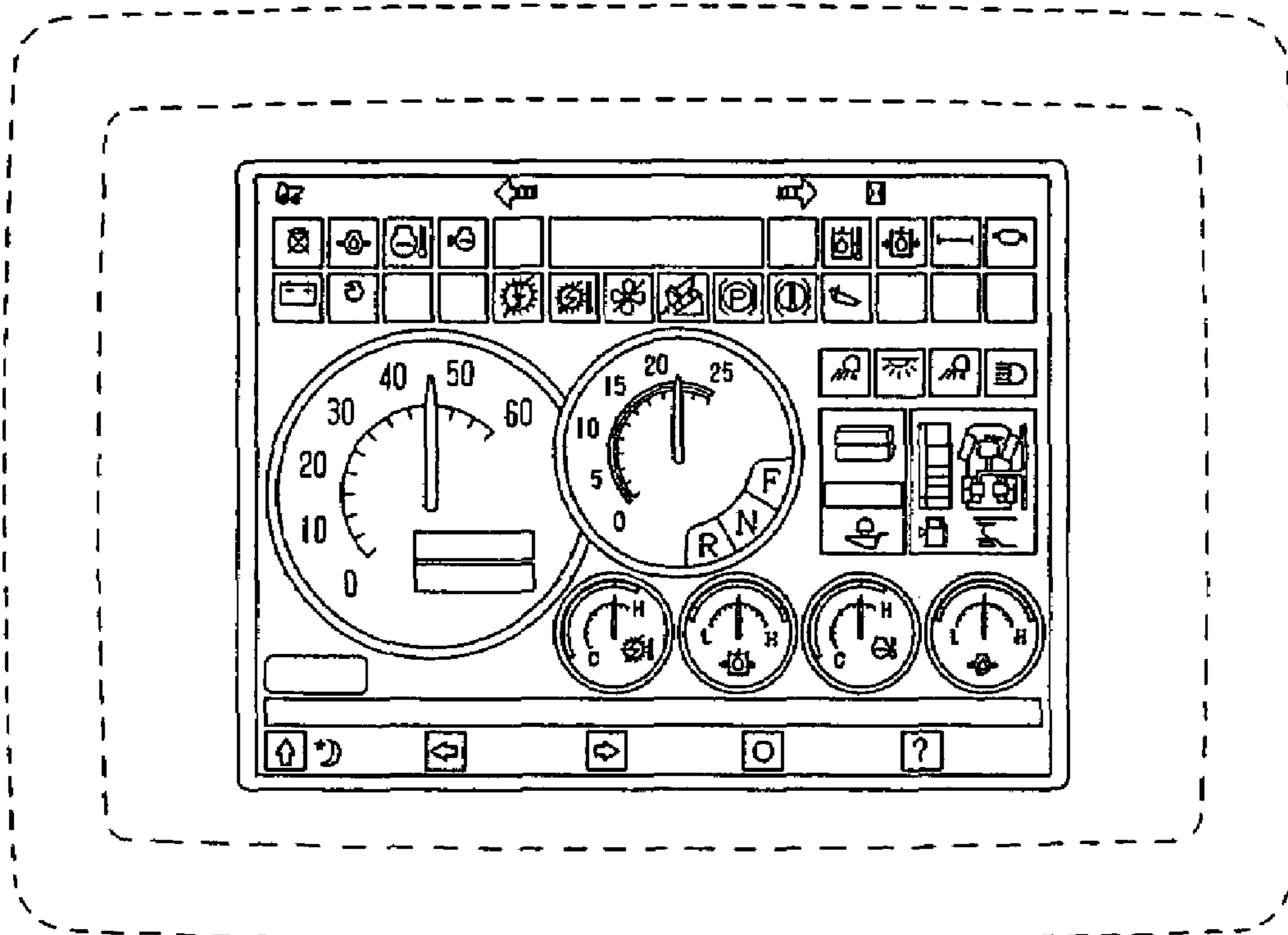
DESCRIPTION

The FIGURE is a front elevational view of a graphic user interface for display for construction machine, showing our new design.

The broken line portions of the drawing are for illustrative purposes only and form no part of the claimed design.

1 Claim, 1 Drawing Sheet





FIGURE