



US00D549710S

(12) **United States Design Patent**
Hynecek et al.

(10) **Patent No.: US D549,710 S**

(45) **Date of Patent: ** Aug. 28, 2007**

(54) **CONTROLLER KEYPAD**

(75) Inventors: **Bryan Lee Hynecek**, Plano, TX (US);
Jon Karl Dukerschein, Plano, TX
(US); **Ronnie D. Rowe**, Garland, TX
(US); **Rashid Skaf**, Plano, TX (US)

(73) Assignee: **AMX LLC**, Richardson, TX (US)

(**) Term: **14 Years**

(21) Appl. No.: **29/238,766**

(22) Filed: **Sep. 21, 2005**

(51) **LOC (8) Cl.** **14-02**

(52) **U.S. Cl.** **D14/455**; D13/164

(58) **Field of Classification Search** D14/137-8,
D14/217-218, 247, 320, 333, 338, 341, 346,
D14/383, 387, 390-2, 395-6, 398-9, 426,
D14/432, 454-456; D13/171, 174, 162,
D13/164; D18/1, 7, 12.2; 178/17 A, 17 C;
200/5 A; 341/22; 345/160, 168-9; 379/368,
379/433.07; 382/187; 400/472, 485-490,
400/493; 455/553.1, 575.1; 710/67
See application file for complete search history.

(56) **References Cited**

U.S. PATENT DOCUMENTS

D256,230 S *	8/1980	Beale et al.	D13/164
D270,637 S *	9/1983	Fukushima et al.	D14/247
D275,669 S *	9/1984	Genaro et al.	D14/149
D293,920 S *	1/1988	Yubisui et al.	D18/7
D302,549 S *	8/1989	Wright	D14/345
D370,899 S *	6/1996	Yu	D14/456
5,654,701 A *	8/1997	Liao et al.	341/22
D429,699 S *	8/2000	Davis et al.	D13/162
D452,695 S *	1/2002	Miller	D13/164

D488,789 S *	4/2004	Lee	D14/138
D504,431 S *	4/2005	Scully et al.	D14/432
D507,562 S *	7/2005	Kim	D14/247
D518,794 S *	4/2006	Hedderich et al.	D13/164
D519,966 S *	5/2006	Salmi et al.	D14/138
D519,997 S *	5/2006	Hirota	D14/341
2004/0200712 A1 *	10/2004	Nishimura et al.	200/512

* cited by examiner

Primary Examiner—Alan P. Douglas

Assistant Examiner—Angela J. Lee

(74) *Attorney, Agent, or Firm*—Karl L. Larson; Gardere Wynne Sewell LLP

(57) **CLAIM**

The ornamental design for a controller keypad, as shown and described.

DESCRIPTION

FIG. 1 is a perspective view of one preferred embodiment of a controller keypad in accordance with the invention;

FIG. 2 is a front elevation of the controller keypad shown in FIG. 1;

FIG. 3 is a left side elevation of the controller keypad shown in FIG. 1;

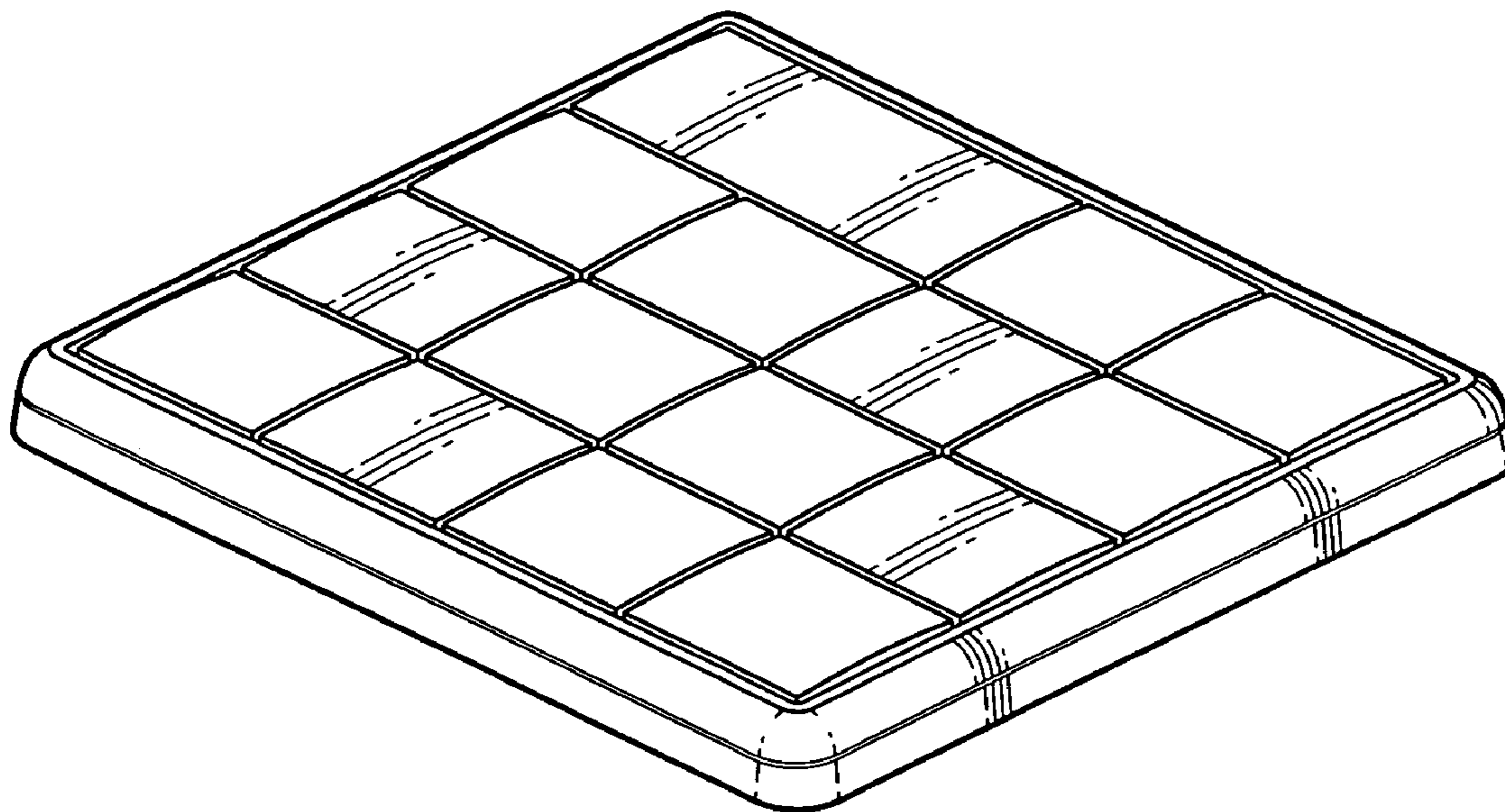
FIG. 4 is a right side elevation of the controller keypad shown in FIG. 1;

FIG. 5 is a top plan view of the controller keypad shown in FIG. 1; and,

FIG. 6 is a bottom plan view of the controller keypad shown in FIG. 1.

The side of the invention opposite the side shown in FIG. 2 is unadorned.

1 Claim, 2 Drawing Sheets



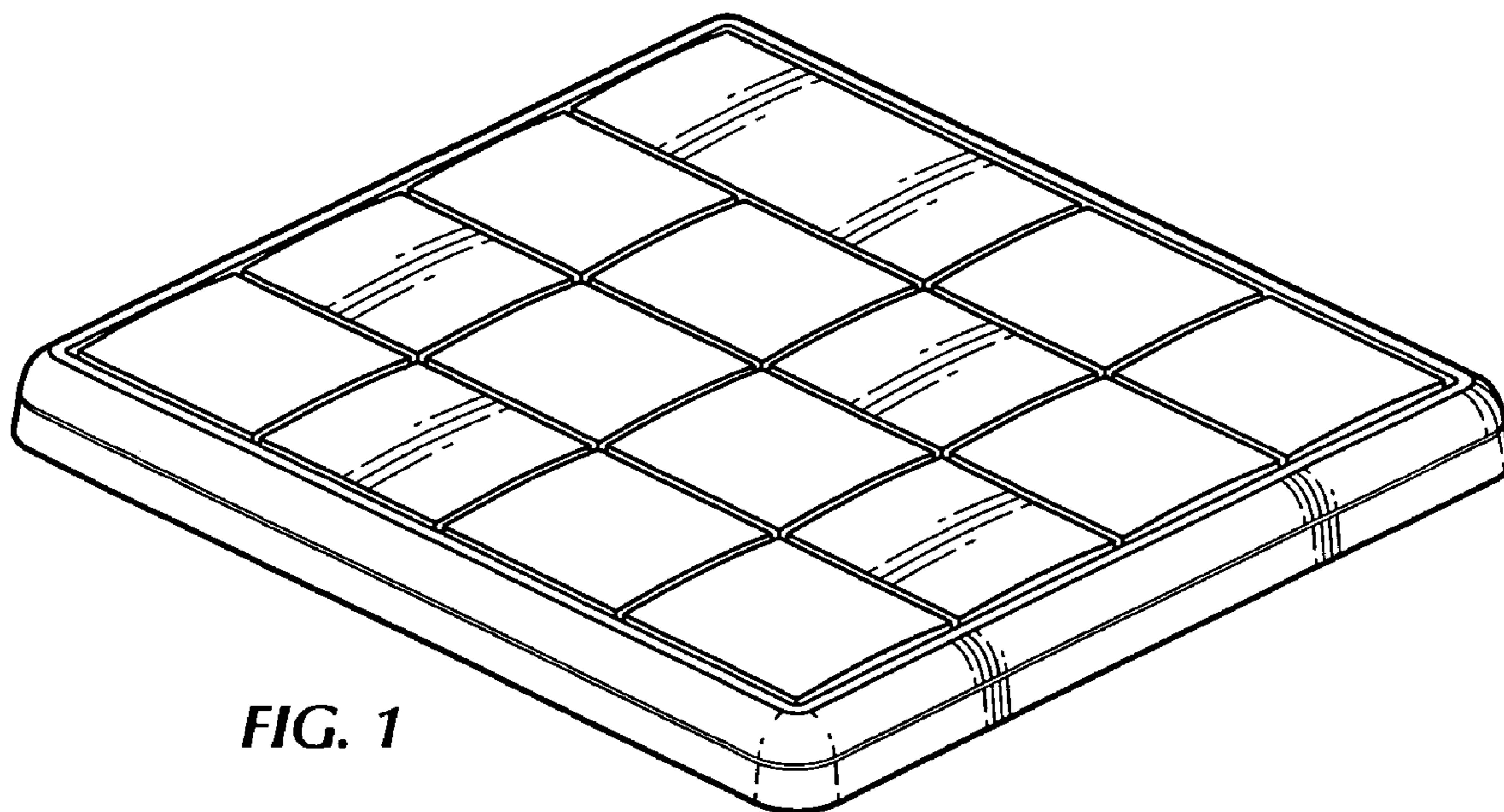


FIG. 1

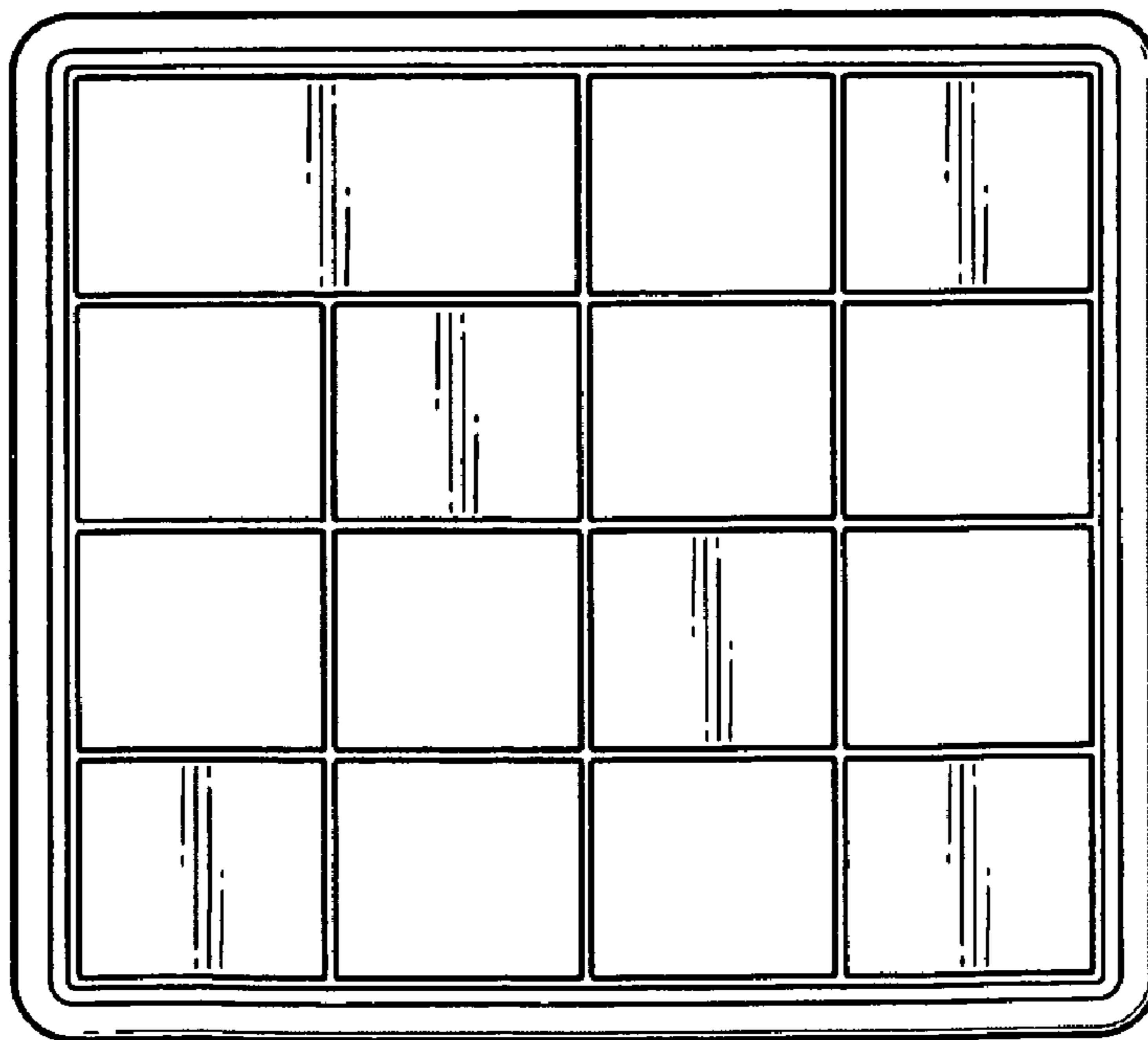


FIG. 2

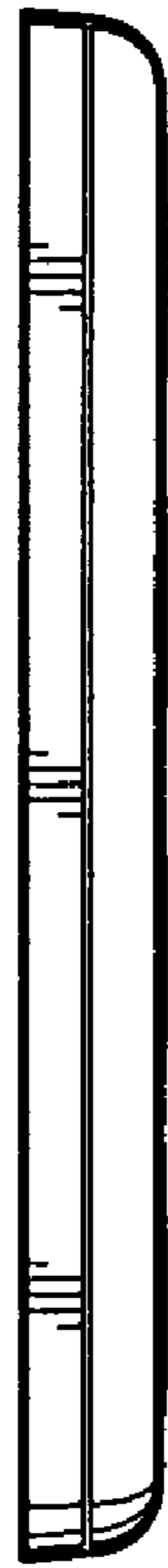


FIG. 3



FIG. 4



FIG. 5

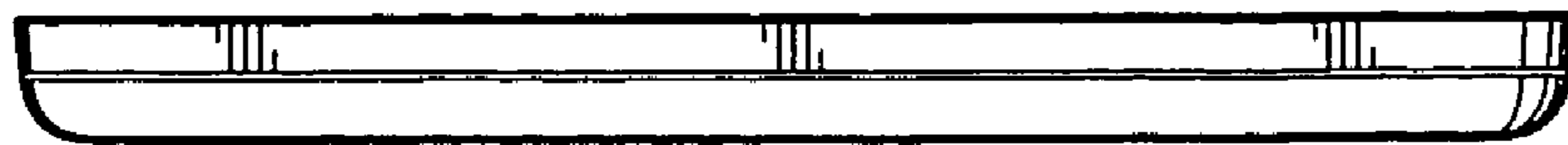


FIG. 6