



US00D549709S

(12) **United States Design Patent**
Richter

(10) **Patent No.:** **US D549,709 S**

(45) **Date of Patent:** **** Aug. 28, 2007**

(54) **PDA INSTRUMENT SUPPORT DEVICE**

(76) **Inventor:** **Harald Richter**, Höhenstrasse 32,
75331 Engelbrand (DE)

(**) **Term:** **14 Years**

(21) **Appl. No.:** **29/255,540**

(22) **Filed:** **Mar. 10, 2006**

(51) **LOC (8) Cl.** **14-02**

(52) **U.S. Cl.** **D14/447; D14/251; D14/452**

(58) **Field of Classification Search** D14/224,
D14/239, 251, 253, 316, 375, 376, 432, 439,
D14/447, 448, 451, 452, 457; D6/444, 513;
D8/349, 355, 363, 373, 380; 248/121, 124.1,
248/127, 176.1, 177.1, 201, 205.1, 274.1,
248/276.1, 291.1, 309.1, 313, 346.01, 346.03,
248/371, 415, 917-24; 312/223.3; 348/825,
348/836; 379/446, 454

See application file for complete search history.

(56) **References Cited**

U.S. PATENT DOCUMENTS

D337,333 S *	7/1993	Turk	D14/251
D391,265 S *	2/1998	Richter	D14/253
D410,622 S *	6/1999	Richter	D12/425
D521,990 S *	5/2006	Richter	D14/253
D522,843 S *	6/2006	Richter	D8/363
D533,054 S *	12/2006	Brassard	D8/373
D533,055 S *	12/2006	Brassard	D8/373

D533,174 S *	12/2006	Richter	D14/251
2006/0131467 A1 *	6/2006	Wang	248/276.1
2007/0018064 A1 *	1/2007	Wang	248/274.1
2007/0090234 A1 *	4/2007	Liao	248/127

* cited by examiner

Primary Examiner—Cathron C. Brooks

Assistant Examiner—Angela Lee

(74) *Attorney, Agent, or Firm*—Klaus J. Bach

(57) **CLAIM**

The ornamental design for an PDA instrument support device, as shown and described.

DESCRIPTION

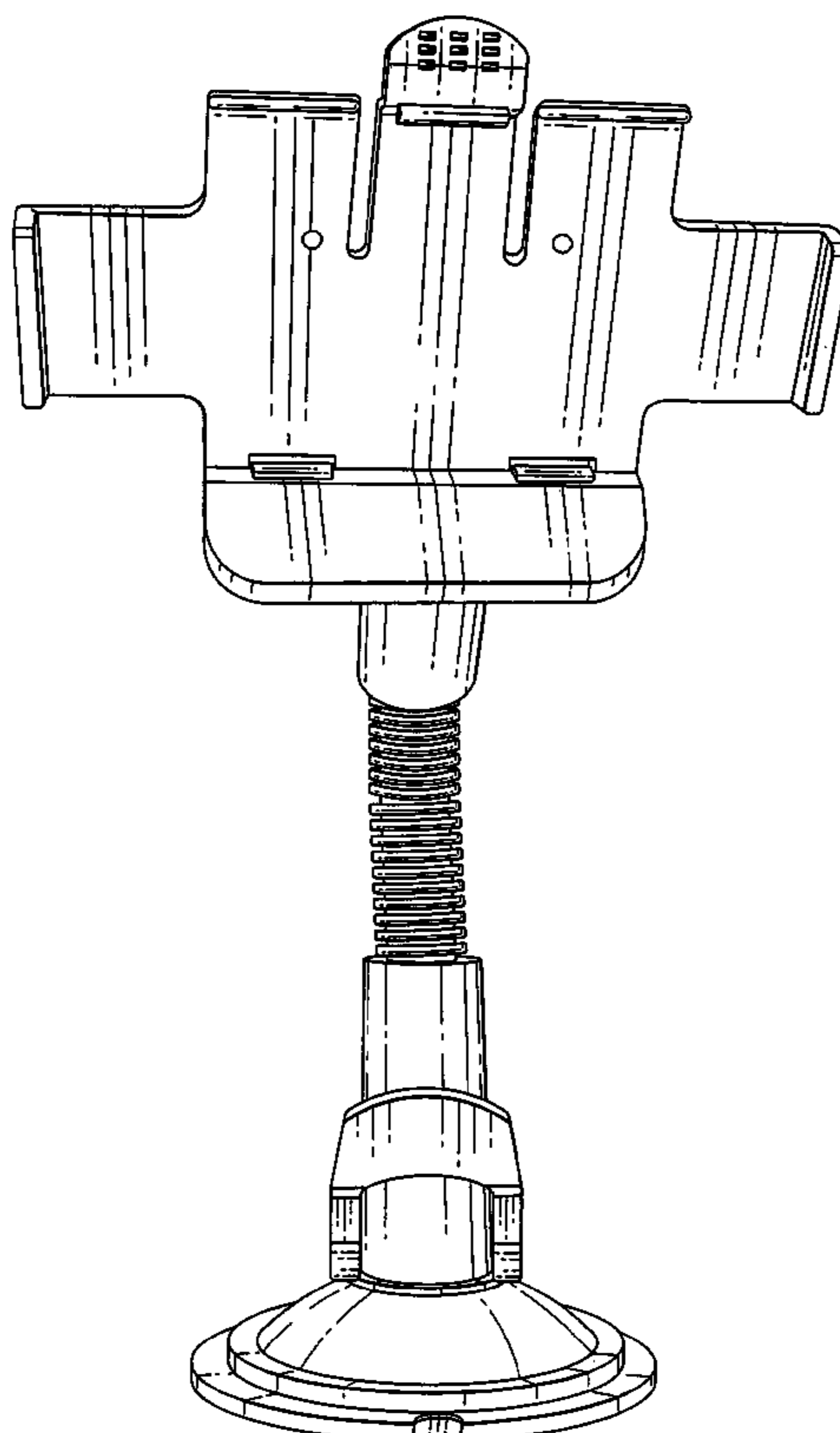
The PDA instrument support device is used for supporting PDA instruments, (hand-held Personal assistants, PDAs) by way of a suction cup on smooth surfaces such as windshields dashboards or smooth mounting plates in positions convenient for the user.

FIG. 1 is a front view of an PDA instrument support device; FIG. 2 is a rear view of the PDA instrument support device shown in FIG. 1;

FIG. 3 is a perspective rear side view of the PDA instrument support device shown in FIG. 1.

The side views are identical except for being mirror-reversed.

1 Claim, 3 Drawing Sheets



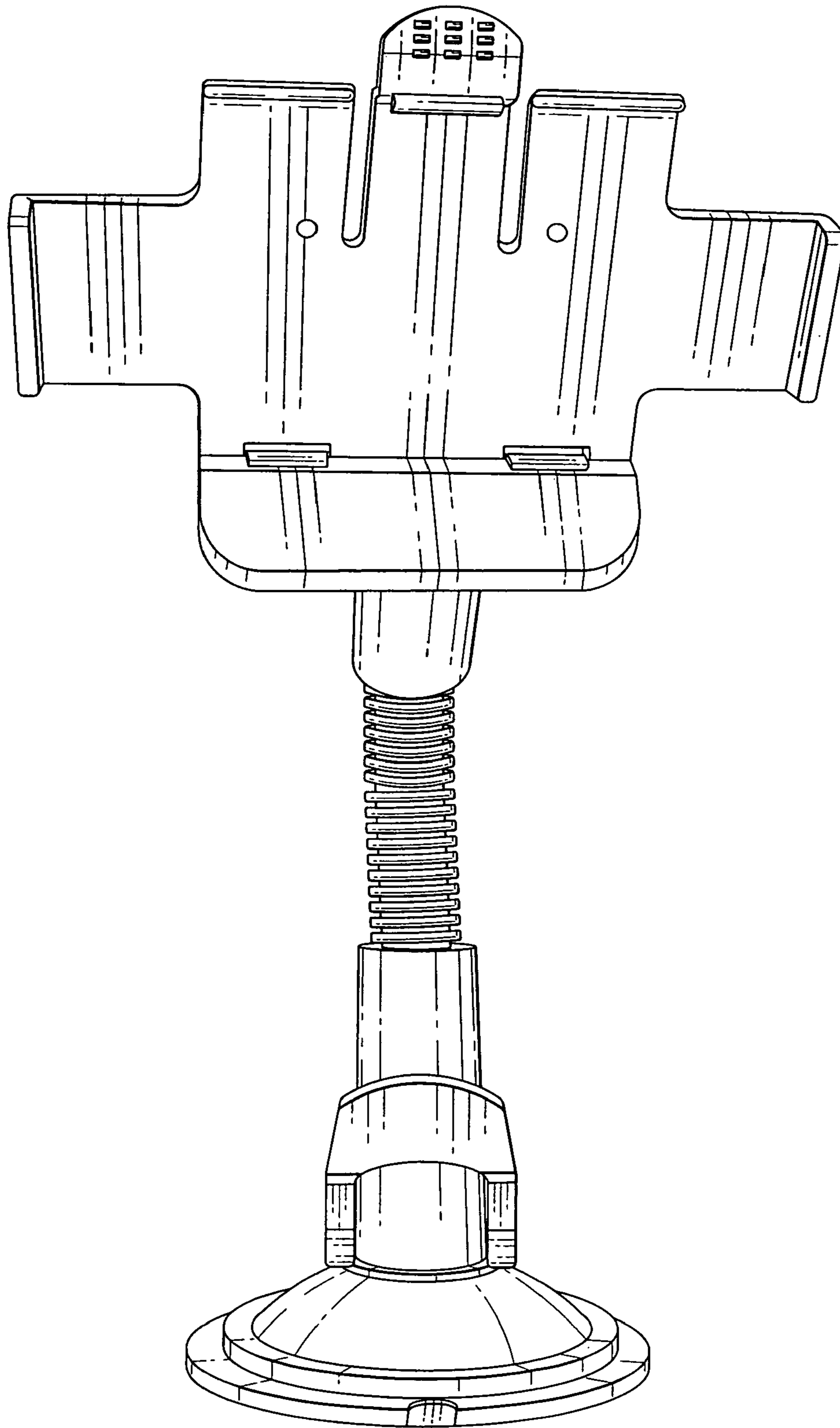


FIG. 1

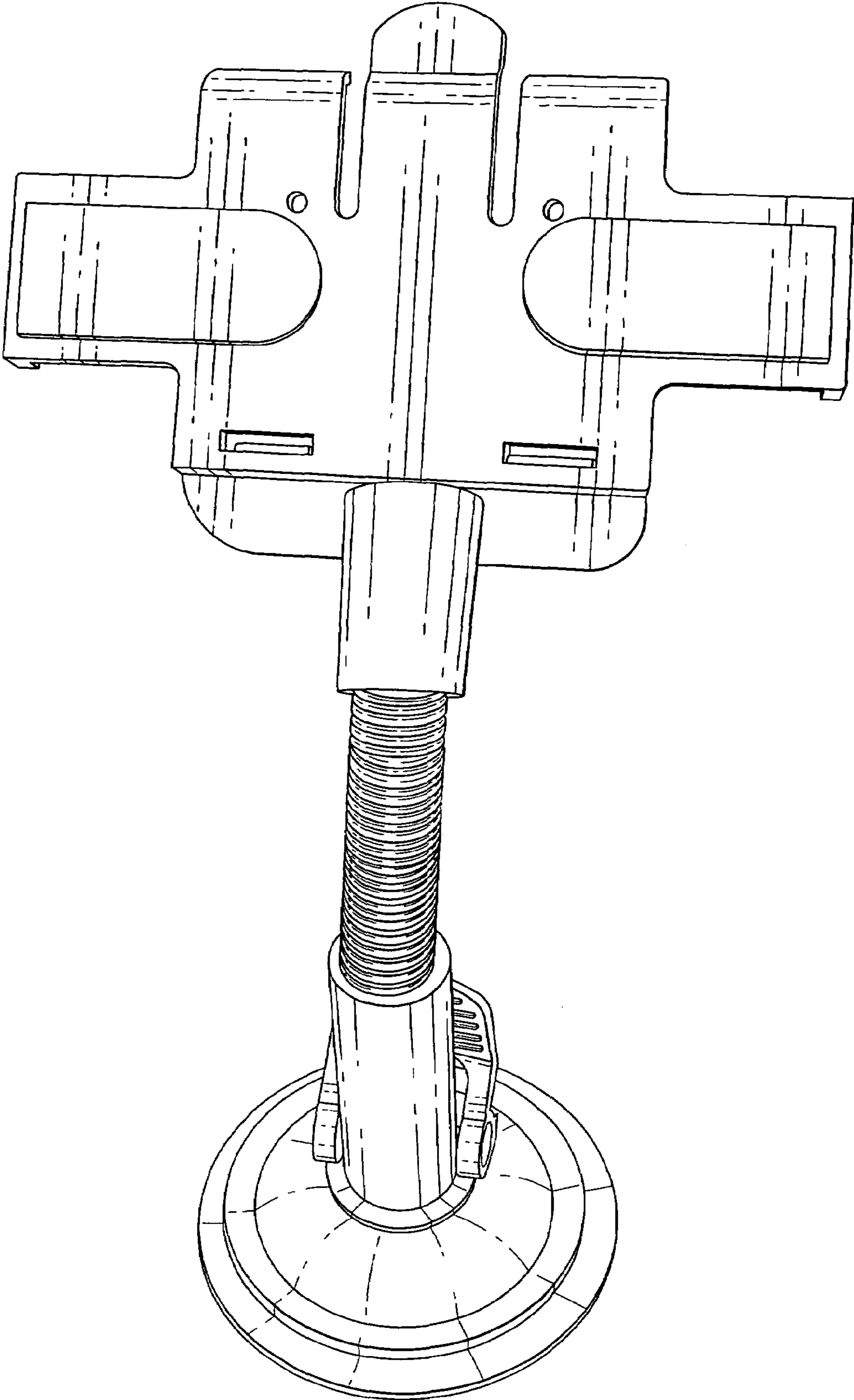


FIG. 2

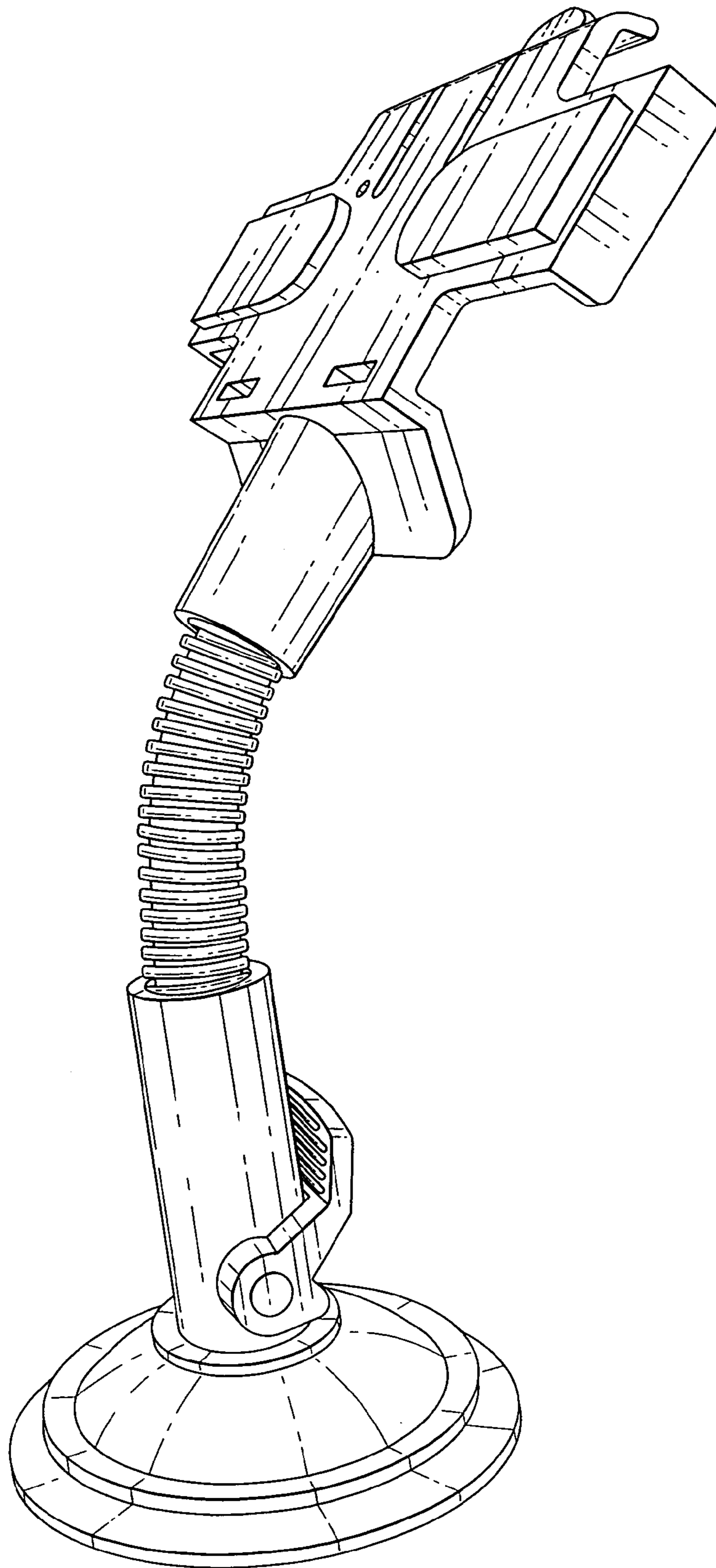


FIG. 3