



US00D549705S

(12) **United States Design Patent**  
**Sugitani et al.**

(10) **Patent No.:** **US D549,705 S**

(45) **Date of Patent:** **\*\* Aug. 28, 2007**

(54) **SCANNER**

(75) Inventors: **Minoru Sugitani**, Kahoku (JP); **Kiichi Taniho**, Kahoku (JP); **Shuji Hashimoto**, Komatsu (JP)

(73) Assignee: **PFU Limited**, Kahoku-Shi (JP)

(\*\*) Term: **14 Years**

(21) Appl. No.: **29/246,102**

(22) Filed: **Feb. 10, 2006**

(30) **Foreign Application Priority Data**

Nov. 17, 2005 (JP) ..... 2005-03385

(51) **LOC (8) Cl.** ..... **14-02**

(52) **U.S. Cl.** ..... **D14/422**

(58) **Field of Classification Search** ..... D14/422,  
D14/420, 425; D18/54, 55, 50; 358/400,  
358/401, 448, 474, 486-488, 496; 382/312,  
382/317, 321

See application file for complete search history.

(56) **References Cited**

**U.S. PATENT DOCUMENTS**

- D379,469 S \* 5/1997 Nobata ..... D18/50
- D422,570 S \* 4/2000 Kobayashi ..... D14/422
- D433,443 S \* 11/2000 Ito et al. .... D18/55
- D439,272 S \* 3/2001 Kobayashi et al. .... D18/50
- D439,608 S \* 3/2001 Gassett et al. .... D18/55
- D443,878 S \* 6/2001 Sakata et al. .... D14/422
- D452,706 S \* 1/2002 Senshiki ..... D18/55
- D454,583 S \* 3/2002 Whitby et al. .... D18/50

- D459,389 S \* 6/2002 Kaseno ..... D18/50
- D460,479 S \* 7/2002 Bishop et al. .... D18/55
- D463,485 S \* 9/2002 Yoshida et al. .... D18/50
- D475,052 S \* 5/2003 Chujou et al. .... D14/422
- D483,059 S \* 12/2003 Goh et al. .... D18/50
- 6,676,318 B2 \* 1/2004 Hwang et al. .... 400/693

\* cited by examiner

*Primary Examiner*—M. H. Tung

*Assistant Examiner*—Susan Moon Lee

(74) *Attorney, Agent, or Firm*—Staas & Halsey LLP

(57) **CLAIM**

The ornamental design for a scanner, as shown and described.

**DESCRIPTION**

FIG. 1 is a front perspective view of a scanner showing our new design;

FIG. 2 is a front view thereof;

FIG. 3 is a rear view thereof;

FIG. 4 is a left side elevational view thereof;

FIG. 5 is a right side elevational view thereof;

FIG. 6 is a top plan view thereof;

FIG. 7 is a bottom plan view thereof;

FIG. 8 is another front perspective view of the scanner shown in an open position revealing the chute; and,

FIG. 9 is yet another front perspective view of the scanner shown with the chute and stacker in an open position with the guides from each extended.

**1 Claim, 5 Drawing Sheets**

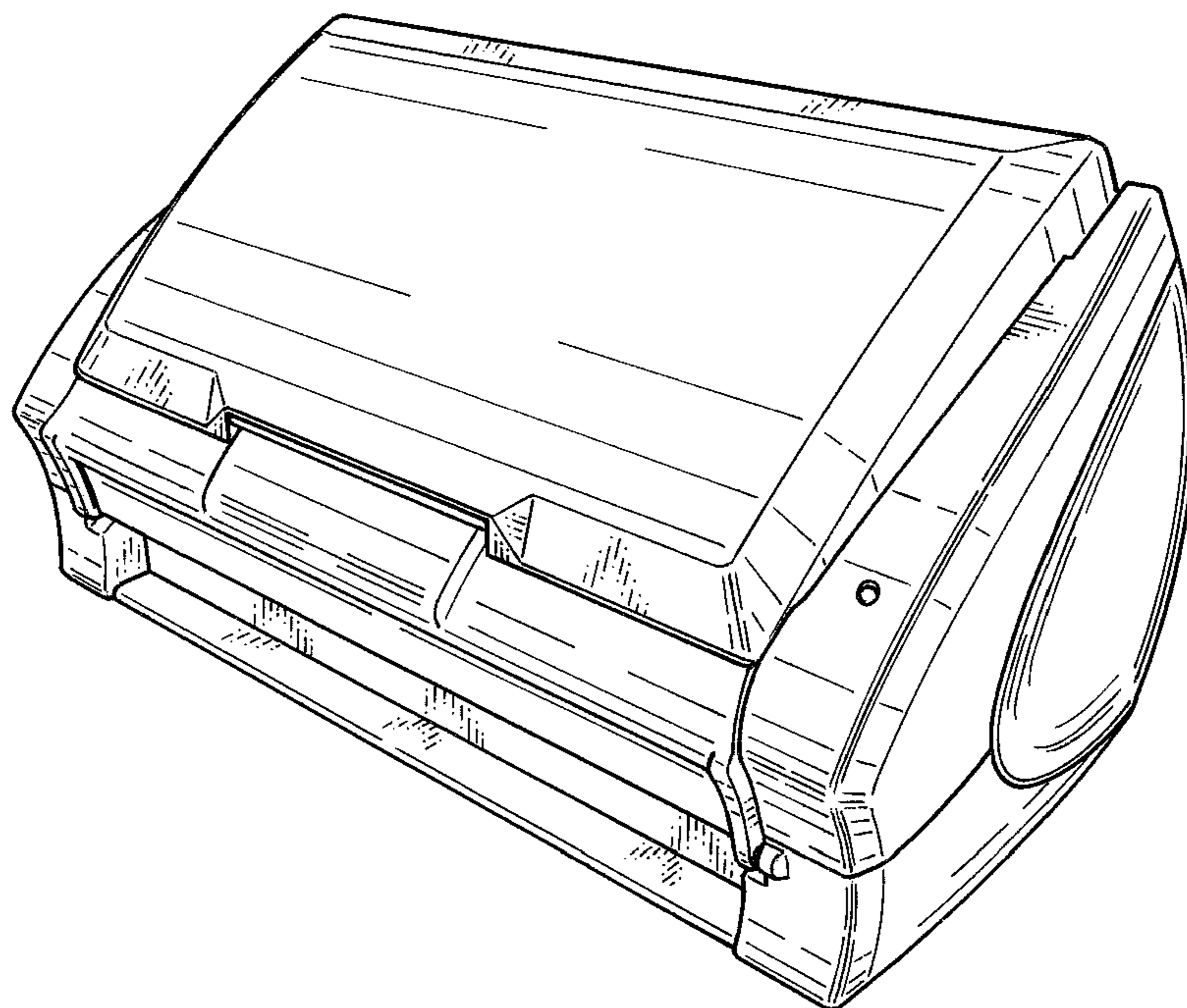


Fig.1

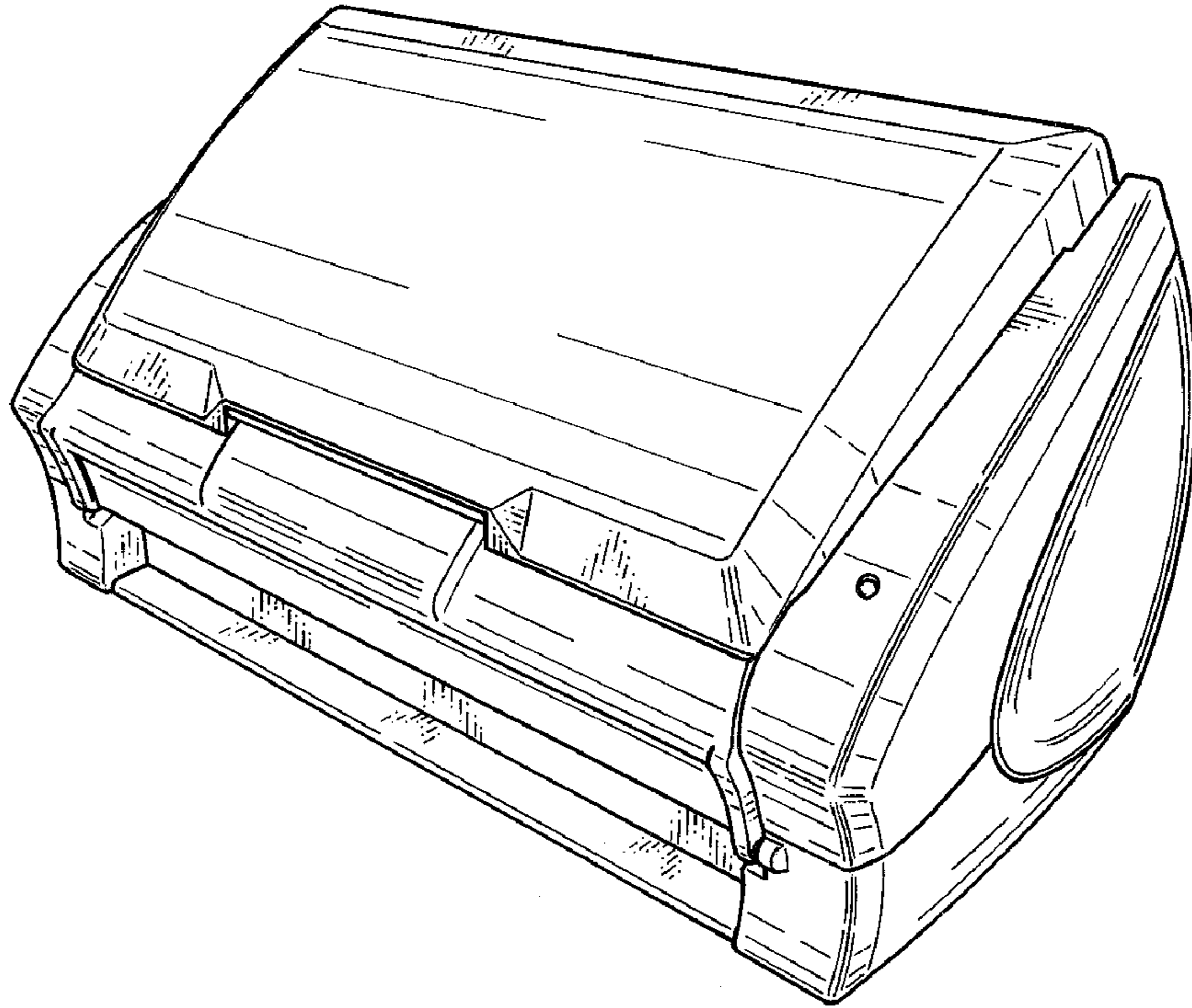


Fig.2

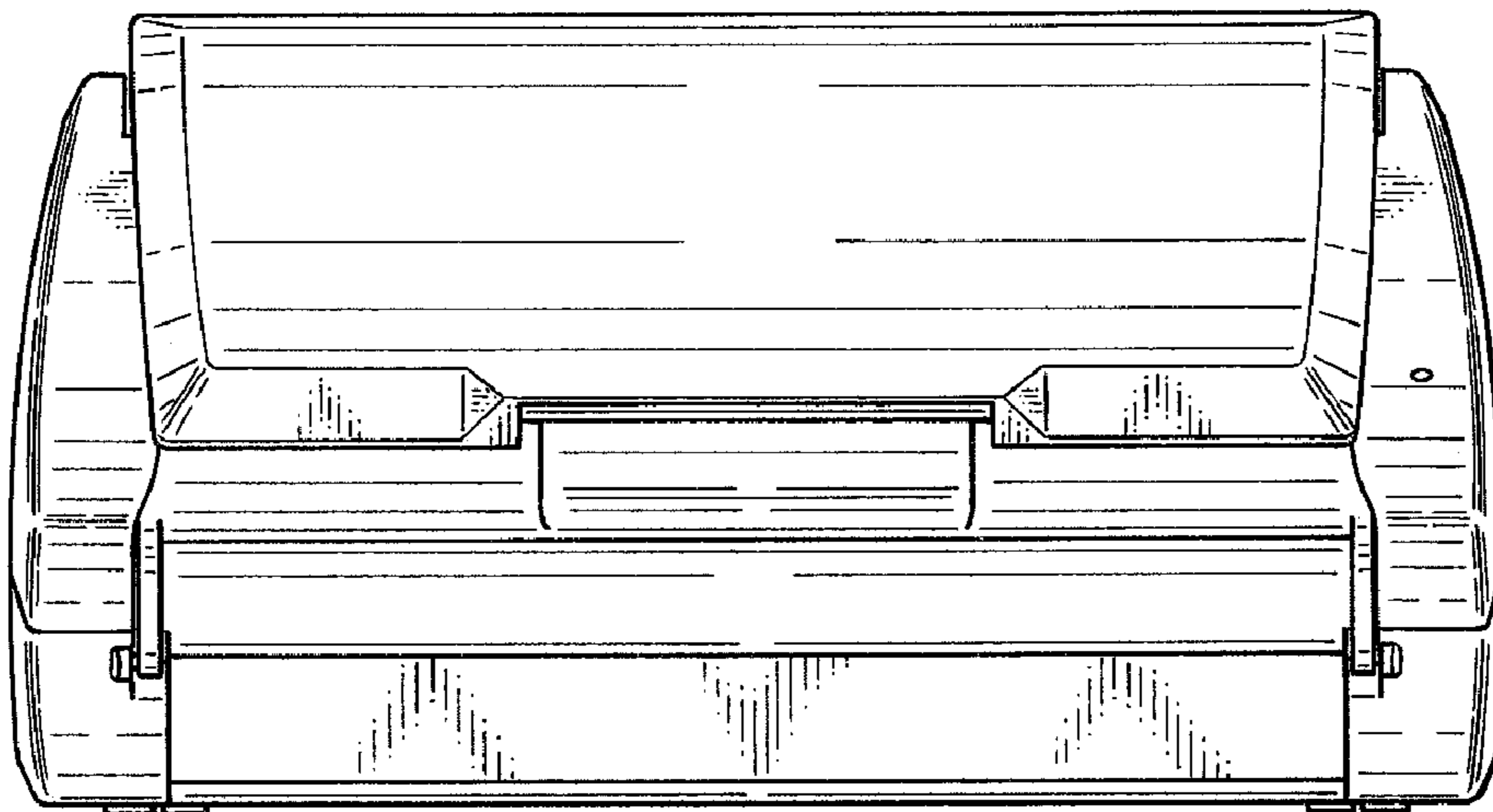


Fig. 3

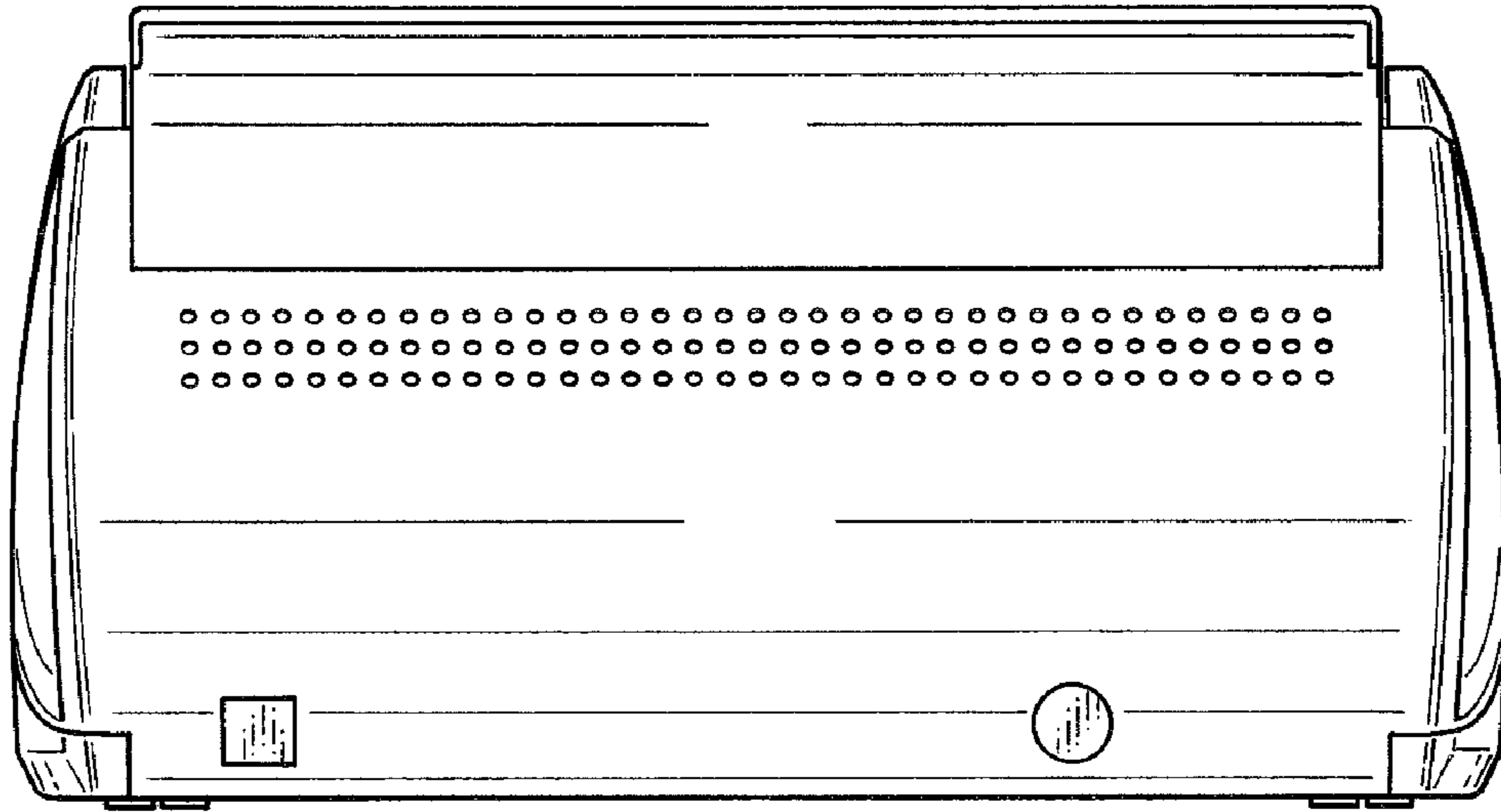


Fig. 4

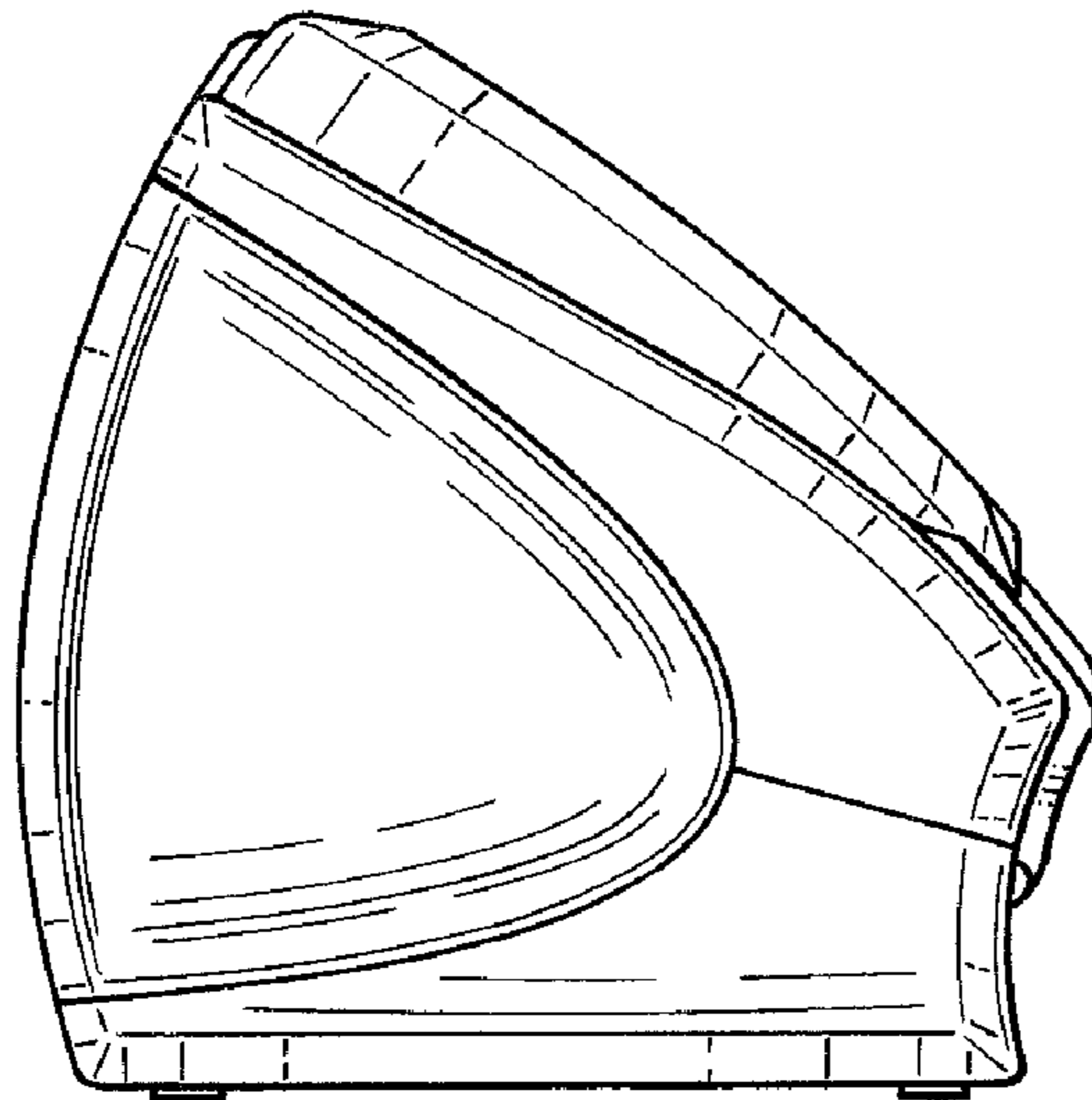


Fig. 5

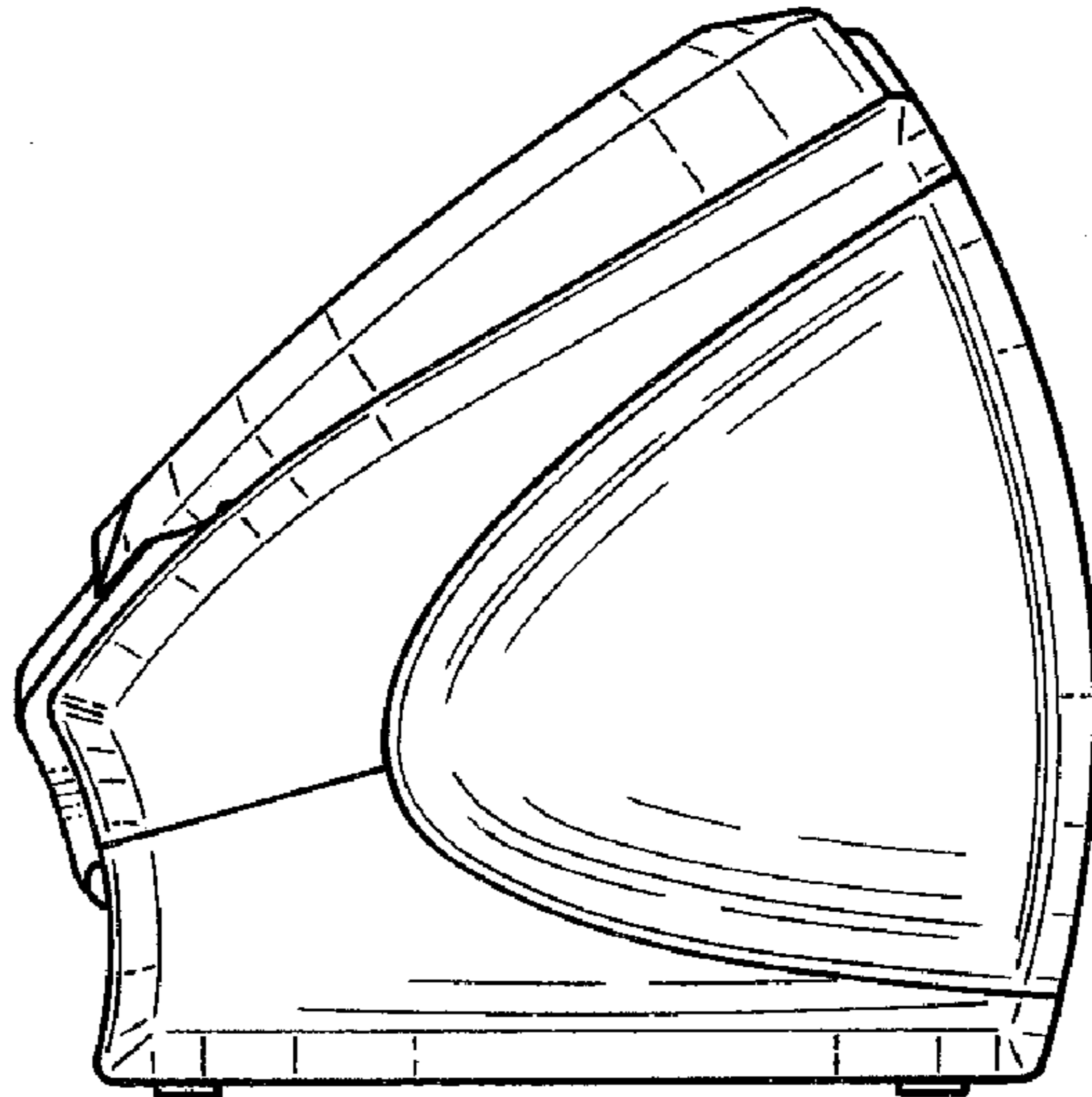


Fig. 6

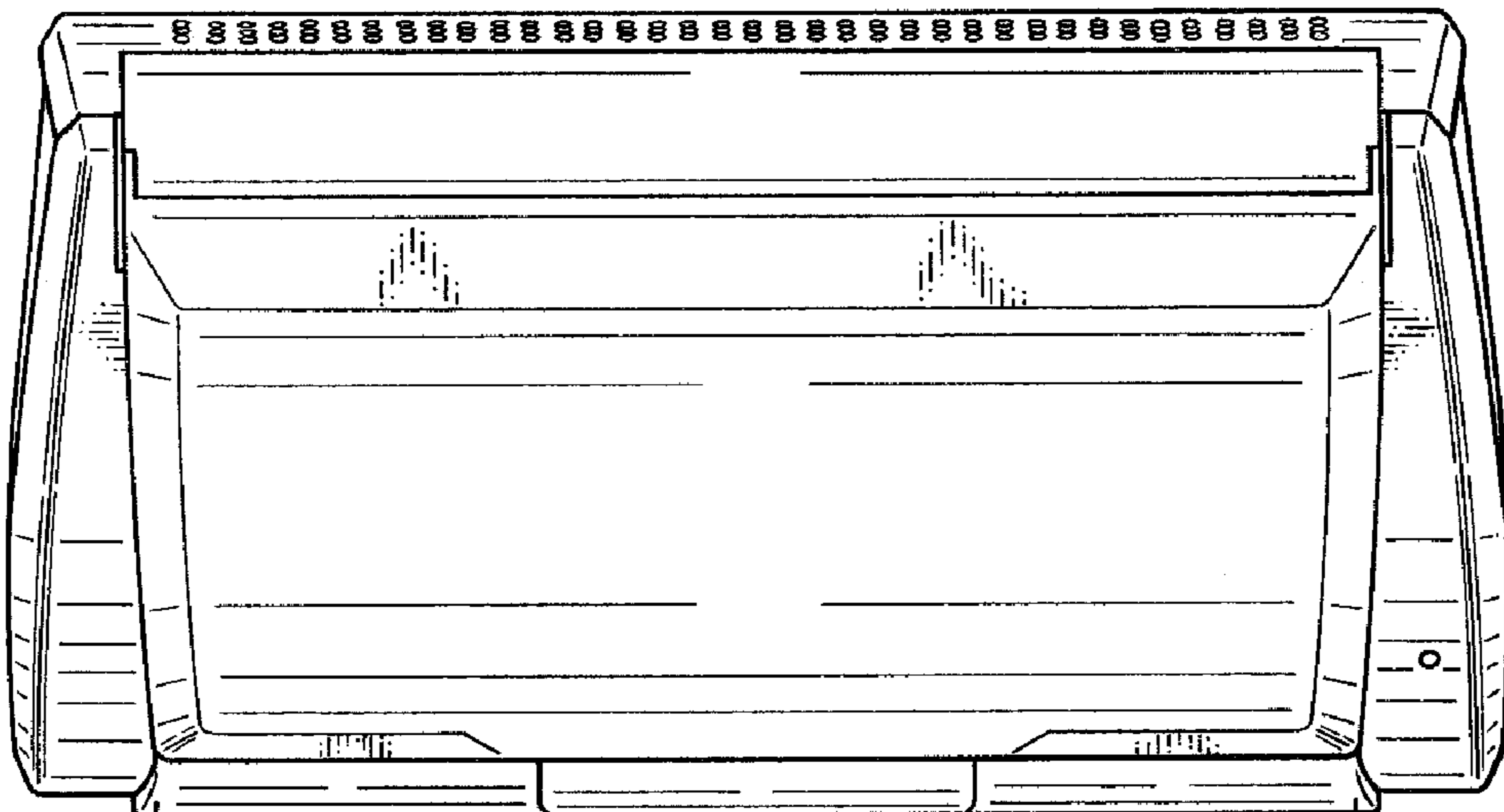


Fig.7



Fig. 8

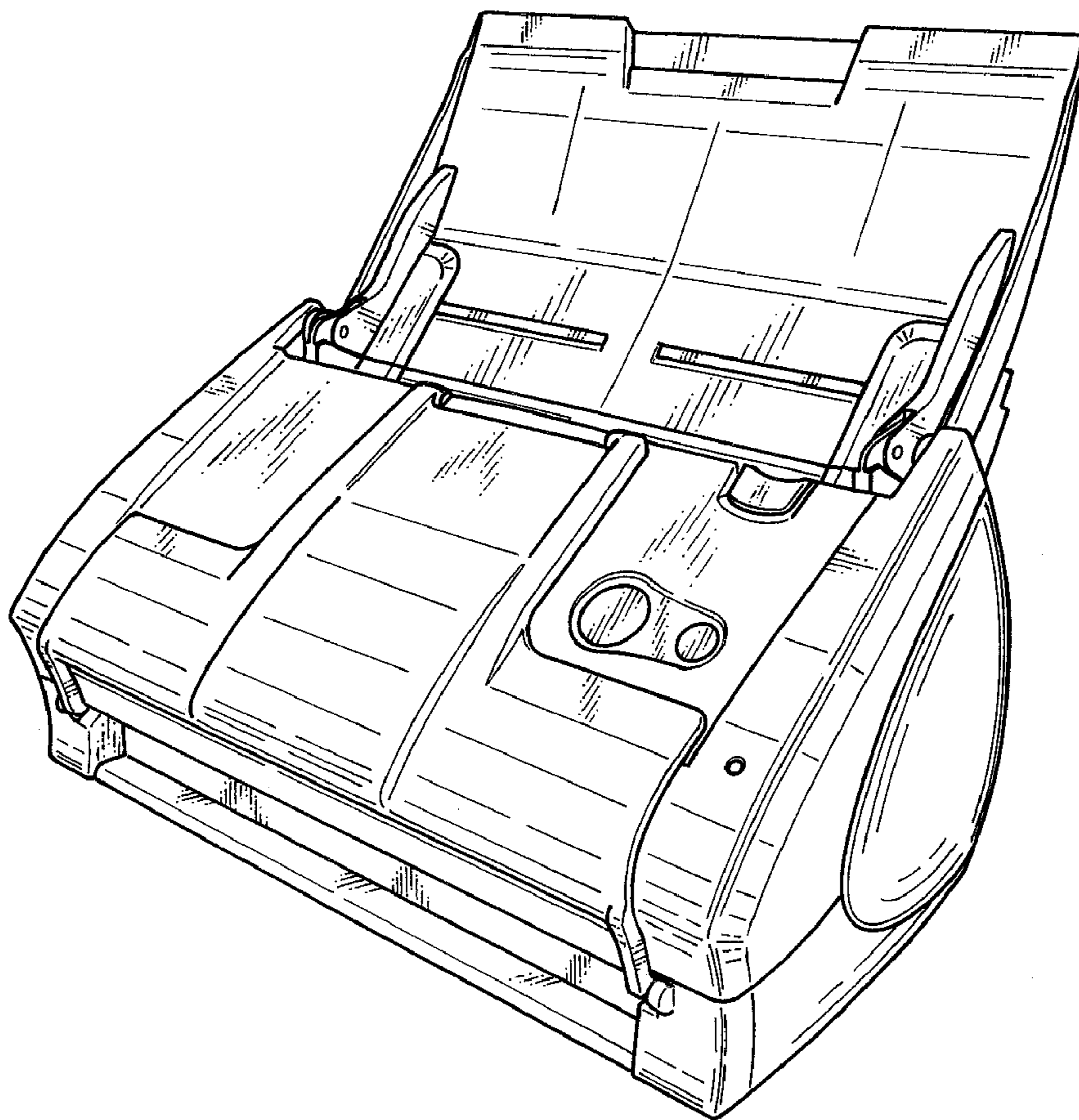


Fig.9

