



US00D549702S

(12) **United States Design Patent**  
**Kim et al.**

(10) **Patent No.:** **US D549,702 S**  
(45) **Date of Patent:** **\*\* Aug. 28, 2007**

(54) **COMPUTER CASE**

D480,723 S \* 10/2003 Lee et al. .... D14/349

(75) Inventors: **Se Woong Kim**, Anyang (KR); **Ik Sang Sohn**, Seoul (KR); **Sung Hwan Park**, Seoul (KR); **Ji Hoon Jo**, Anyang (KR)

FOREIGN PATENT DOCUMENTS

DE M9208362 \* 5/1993

(73) Assignee: **Zalman Tech Co., Ltd.** (KR)

OTHER PUBLICATIONS

“The design of a CPU chassis for a computer”, DOS/V magazine No. 18, Oct. 1, 2004, p. 70, Collection of the National Center for Industrial Property Information, Japan.

(\*\*) Term: **14 Years**

\* cited by examiner

(21) Appl. No.: **29/261,504**

*Primary Examiner*—Freda S. Nunn

(22) Filed: **Jun. 15, 2006**

(74) *Attorney, Agent, or Firm*—Tuchman & Park, LLC

(30) **Foreign Application Priority Data**

(57) **CLAIM**

Mar. 7, 2006 (KR) ..... 30-2006-0008352

The ornamental design for a computer case, as shown and described.

(51) **LOC (8) Cl.** ..... **14-02**

**DESCRIPTION**

(52) **U.S. Cl.** ..... **D14/349**

(58) **Field of Classification Search** ..... D14/300, D14/301, 308–314, 349–357; D13/162, D13/184, 199; 312/223.1–223.3; 360/99.01–99.12; 361/680–686; 720/613; 369/34.01, 36.01  
See application file for complete search history.

FIG. 1 is a perspective view of a computer case in accordance with the new design;

FIG. 2 is a front elevational view thereof;

FIG. 3 is a rear elevational view thereof;

FIG. 4 is a left side elevational view thereof; and

FIG. 5 is a right side elevational view thereof;

FIG. 6 is a top plan view thereof; and,

FIG. 7 is a bottom plan view thereof.

(56) **References Cited**

U.S. PATENT DOCUMENTS

D344,931 S \* 3/1994 Mousa ..... D14/349  
D374,431 S \* 10/1996 Tennant ..... D14/349  
5,884,988 A \* 3/1999 Foo et al. .... 312/223.2  
D454,872 S \* 3/2002 Tanaka ..... D14/349

**1 Claim, 5 Drawing Sheets**

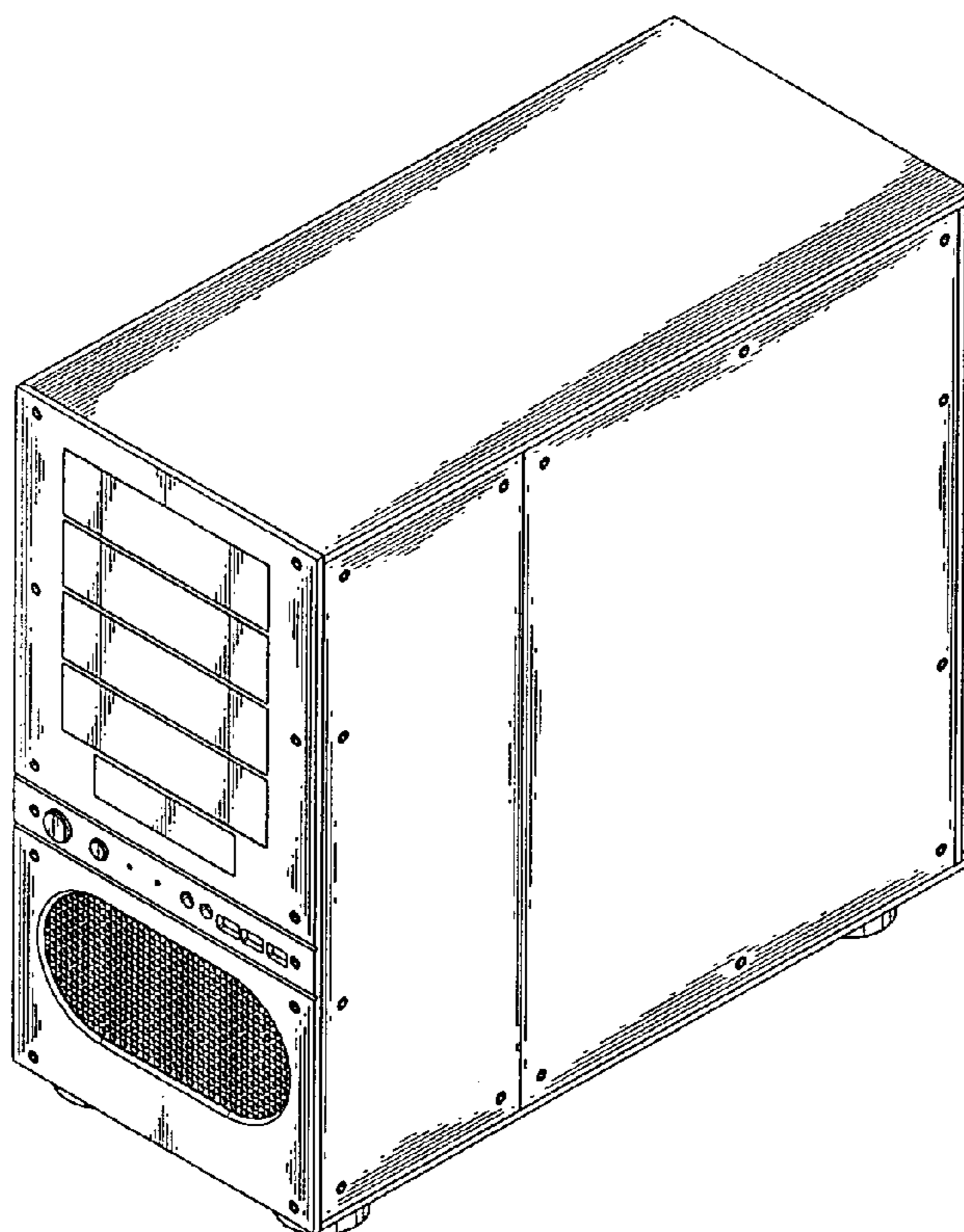


FIG. 1

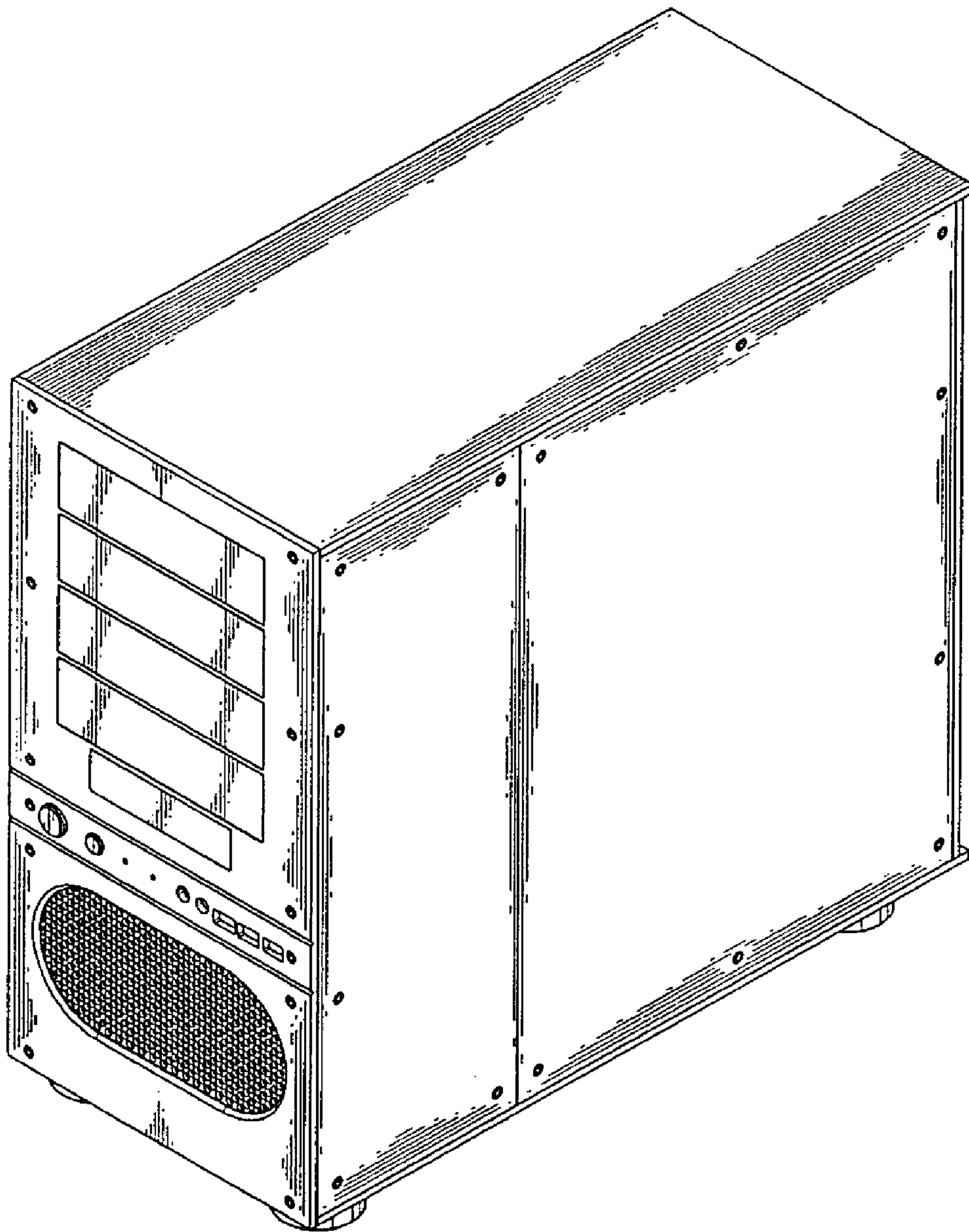


FIG. 2

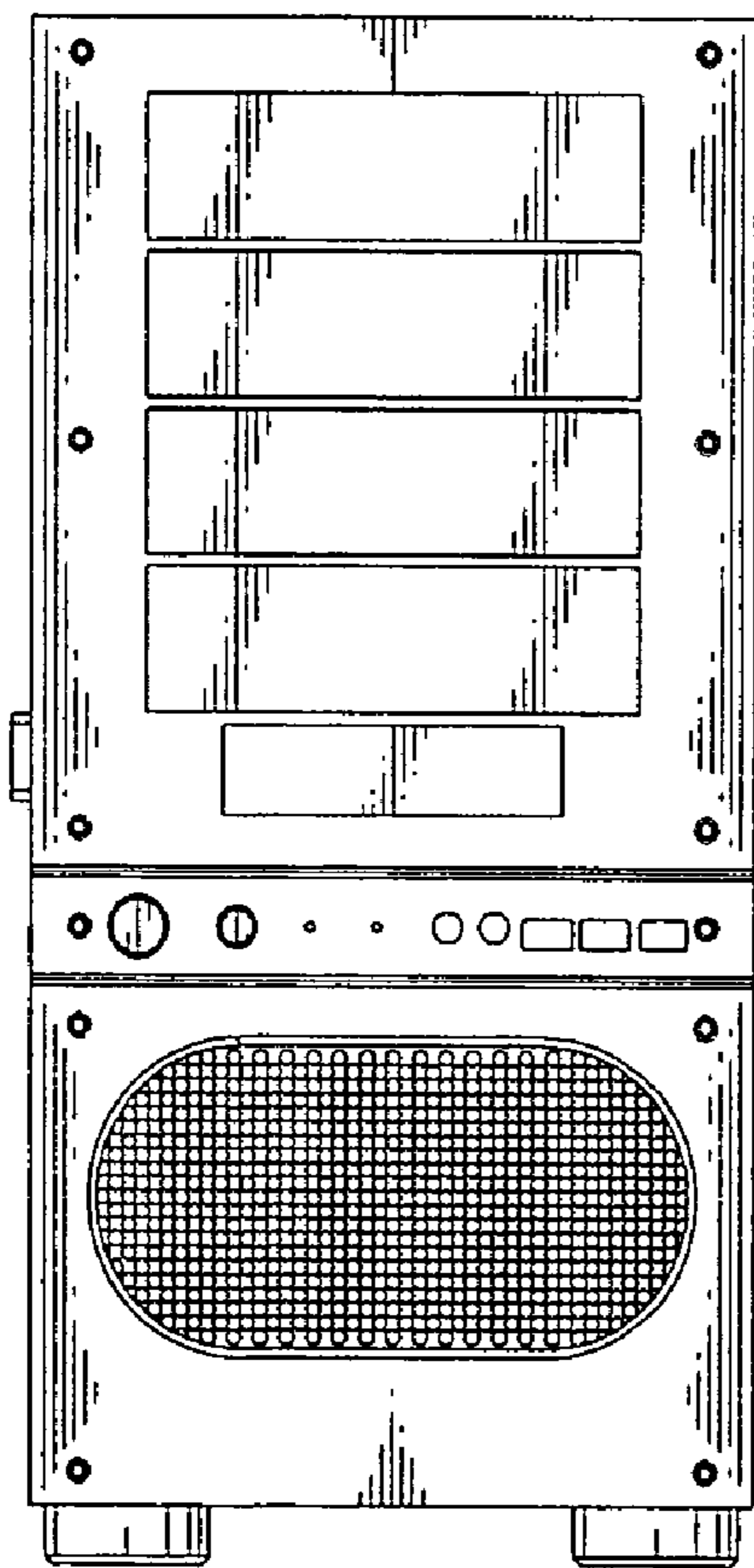


FIG. 3

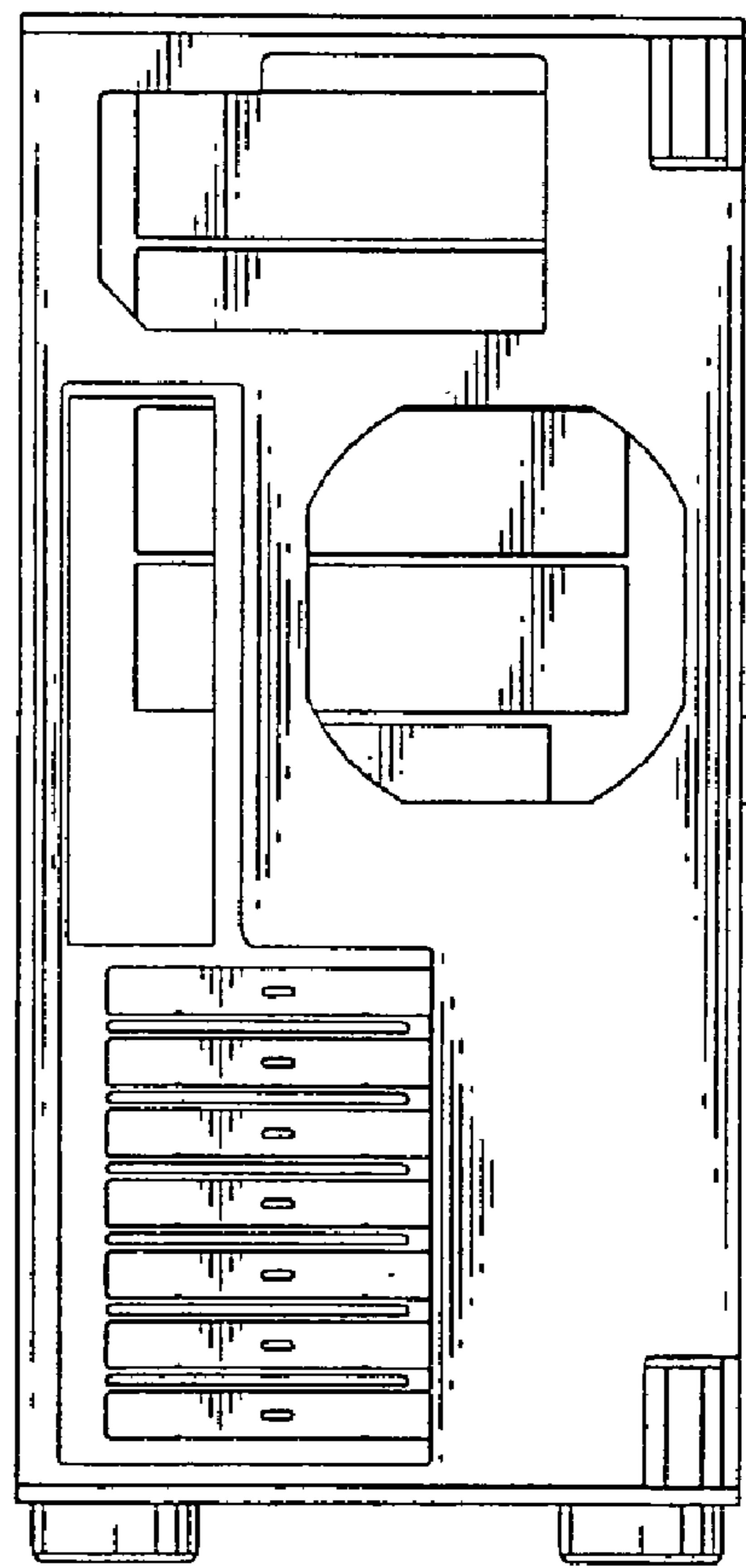


FIG. 4

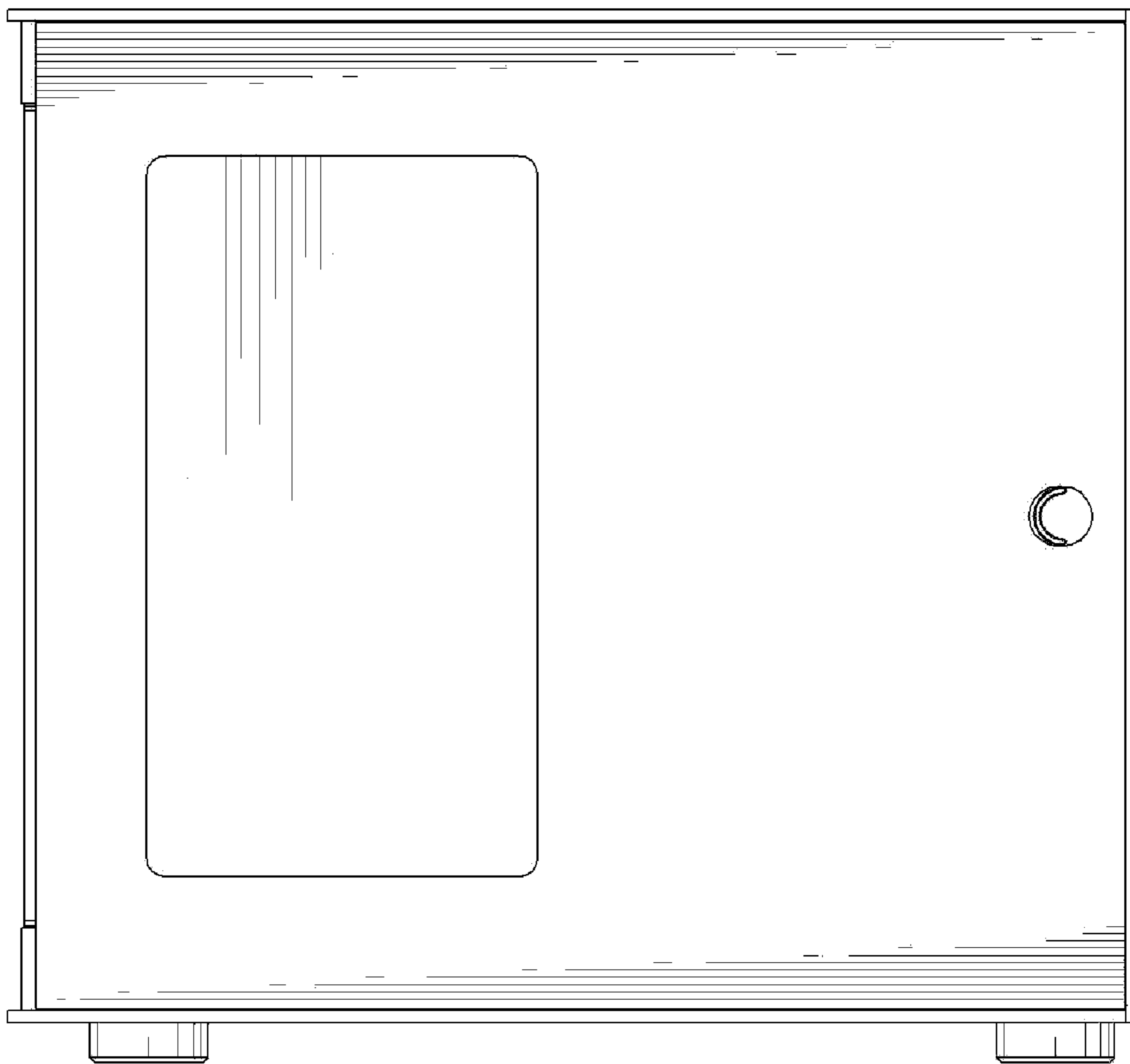


FIG. 5

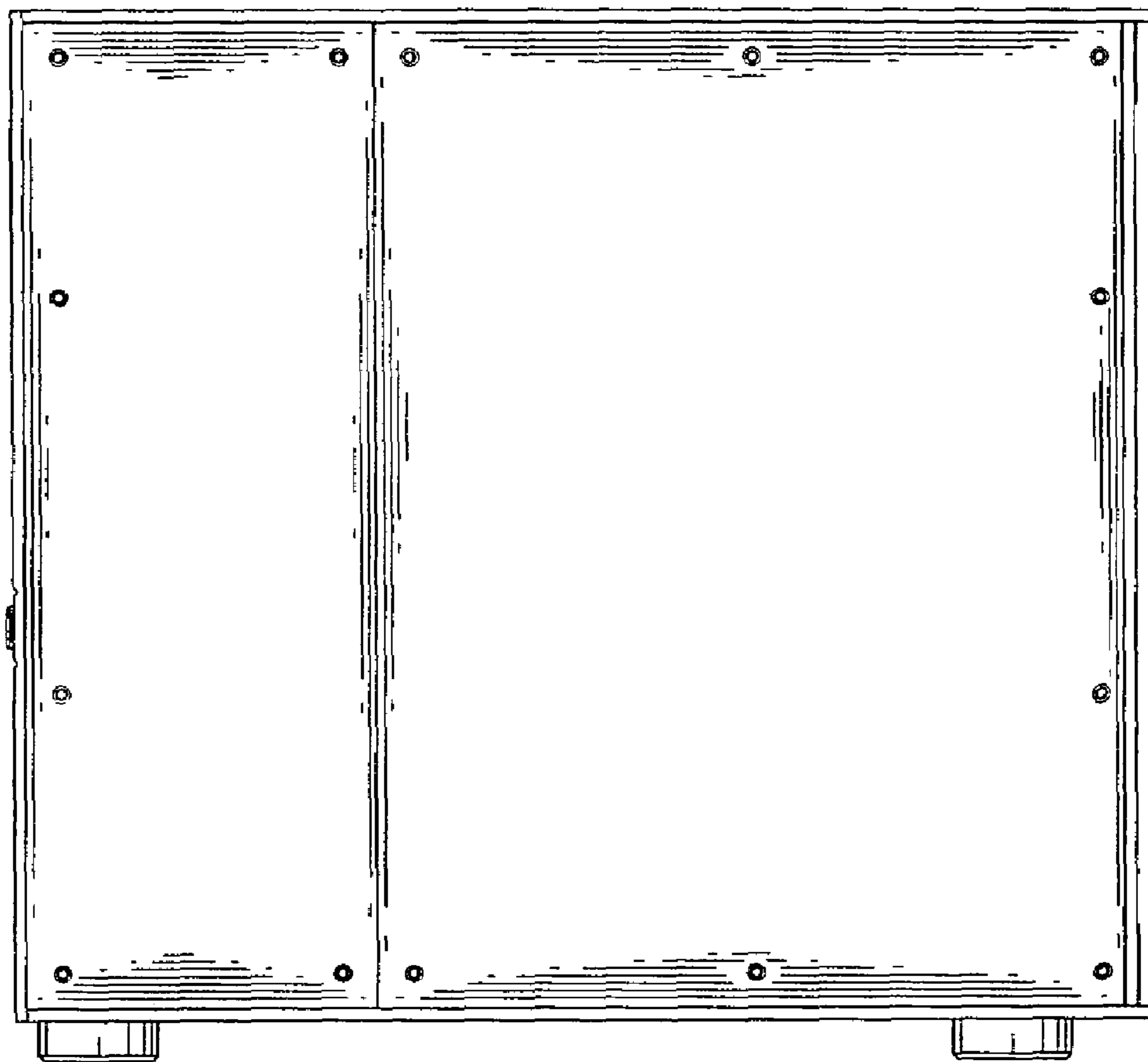


FIG. 6

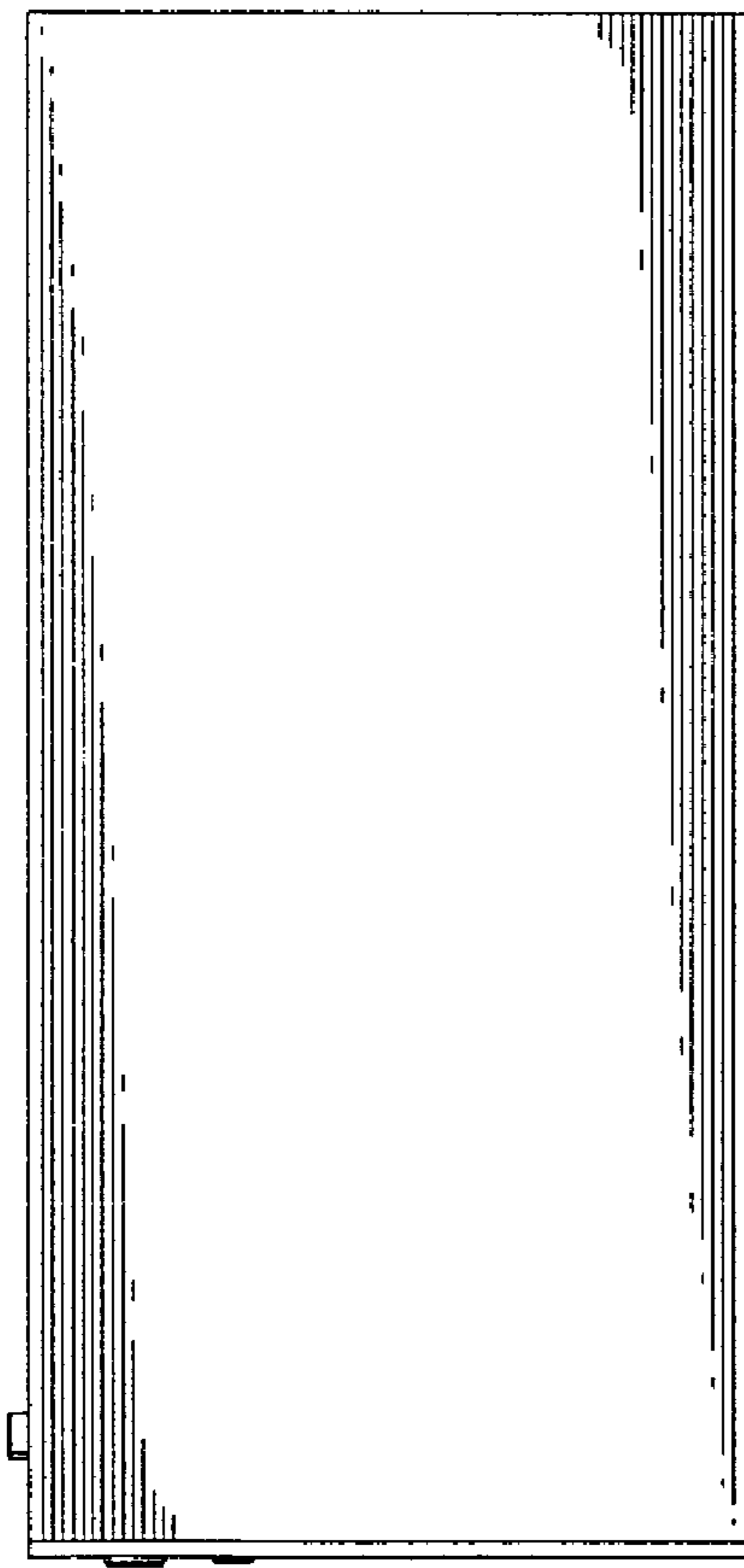


FIG. 7

