

US00D549697S

(12) **United States Design Patent**
Jeon et al.

(10) **Patent No.:** **US D549,697 S**

(45) **Date of Patent:** **** Aug. 28, 2007**

(54) **DATA RELAY FOR WIRELESS
COMMUNICATION EQUIPMENT**

(75) Inventors: **So-Yoon Jeon**, Guri-si (KR); **Bum-Ho
Chun**, Seoul (KR); **Sung-II Bang**,
Seoul (KR)

(73) Assignee: **Samsung Electronics Co., Ltd.** (KR)

(**) Term: **14 Years**

(21) Appl. No.: **29/260,200**

(22) Filed: **May 22, 2006**

(30) **Foreign Application Priority Data**

Mar. 9, 2006 (KR) 30-2006-0008575

(51) **LOC (8) Cl.** **14-03**

(52) **U.S. Cl.** **D14/240**

(58) **Field of Classification Search** D14/240,
D14/242, 300, 348, 356, 233; D13/184,
D13/199; 360/69; 379/220.01, 221.09,
379/220.14, 25, 93.09, 93.15, 156, 900, 338,
379/339; 381/124

See application file for complete search history.

(56) **References Cited**

U.S. PATENT DOCUMENTS

D187,273 S * 2/1960 Friedman D14/240
D291,803 S * 9/1987 Mantell D14/240
D380,475 S * 7/1997 Rasmussen D13/184

D484,129 S * 12/2003 Hyogo D14/356
D499,087 S * 11/2004 Peng et al. D14/240
D501,643 S * 2/2005 Strand et al. D14/240
D511,341 S * 11/2005 Chen D14/240
D529,453 S * 10/2006 Schurr et al. D13/184
D532,001 S * 11/2006 Burke D14/240

FOREIGN PATENT DOCUMENTS

GB 2101414 * 9/2001

* cited by examiner

Primary Examiner—Charles A. Rademaker

(74) *Attorney, Agent, or Firm*—Cantor Colburn LLP

(57) **CLAIM**

We claim, the ornamental design for a data relay for wireless communication equipment, as shown and described.

DESCRIPTION

FIG. 1 is a perspective view of a data relay for wireless communication equipment, showing our new design;

FIG. 2 is a left side view thereof;

FIG. 3 is a right side view thereof;

FIG. 4 is a rear view thereof;

FIG. 5 is a front view thereof;

FIG. 6 is a top plan view thereof; and,

FIG. 7 is a bottom plan view thereof.

1 Claim, 3 Drawing Sheets

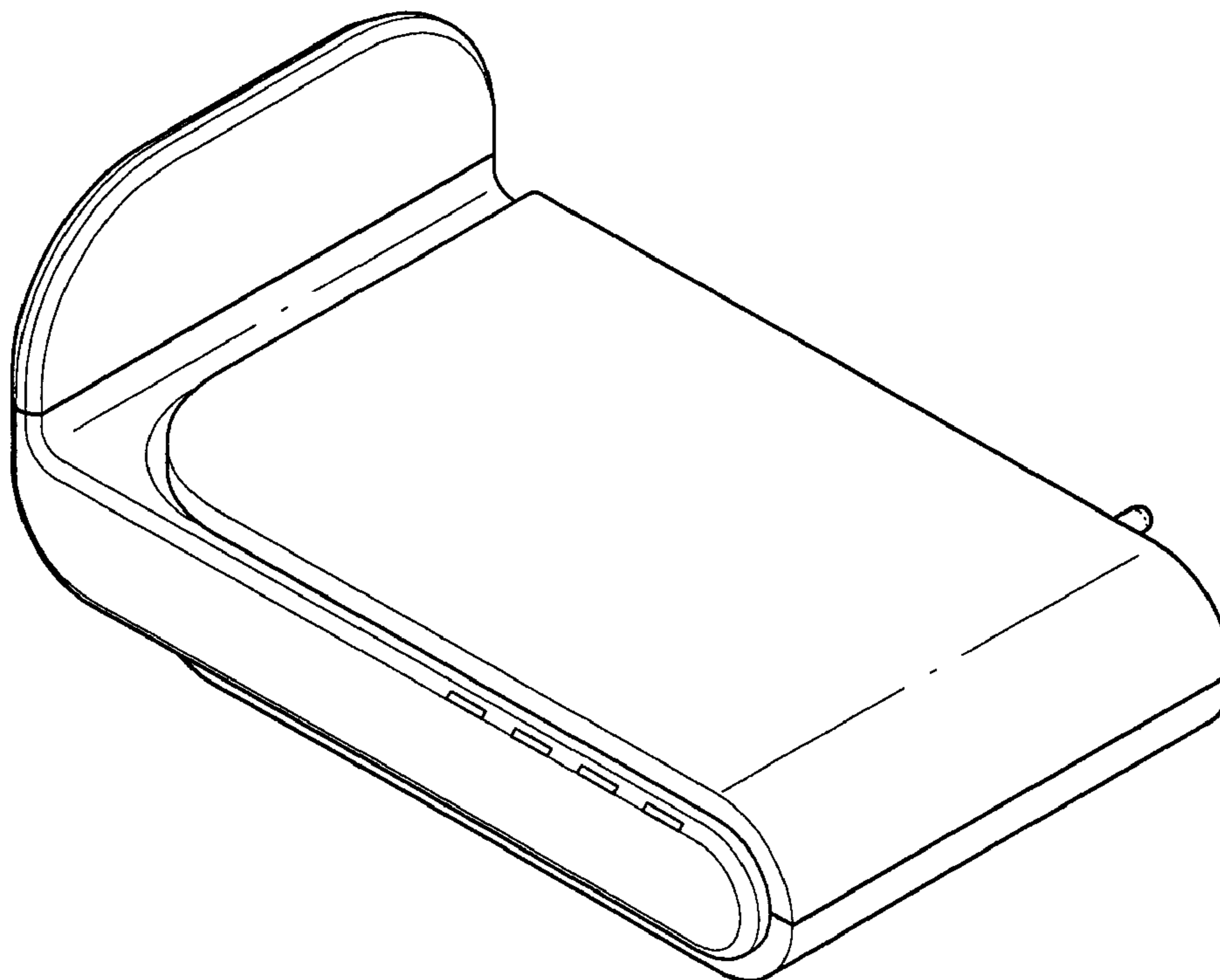


FIG. 1

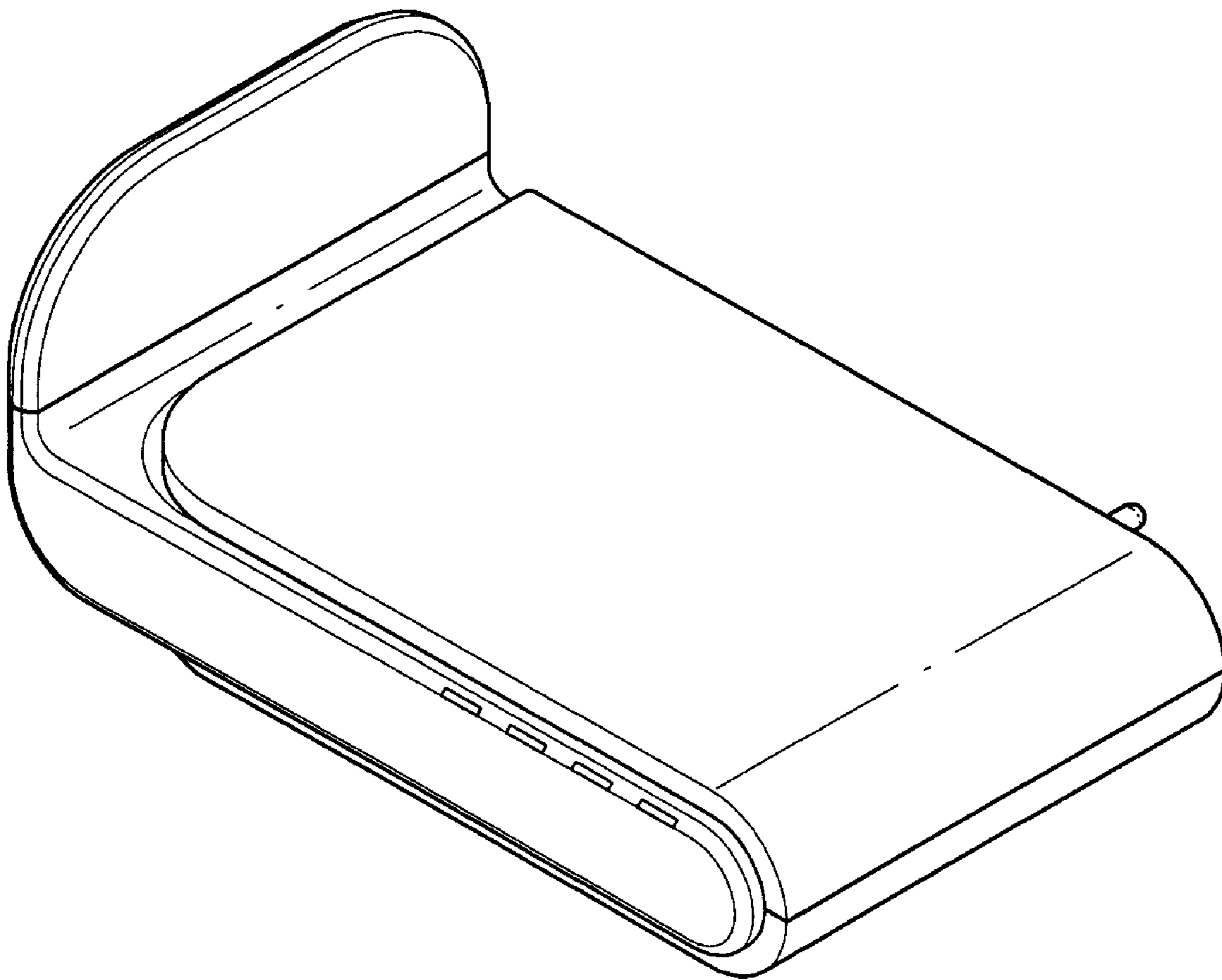


FIG. 2

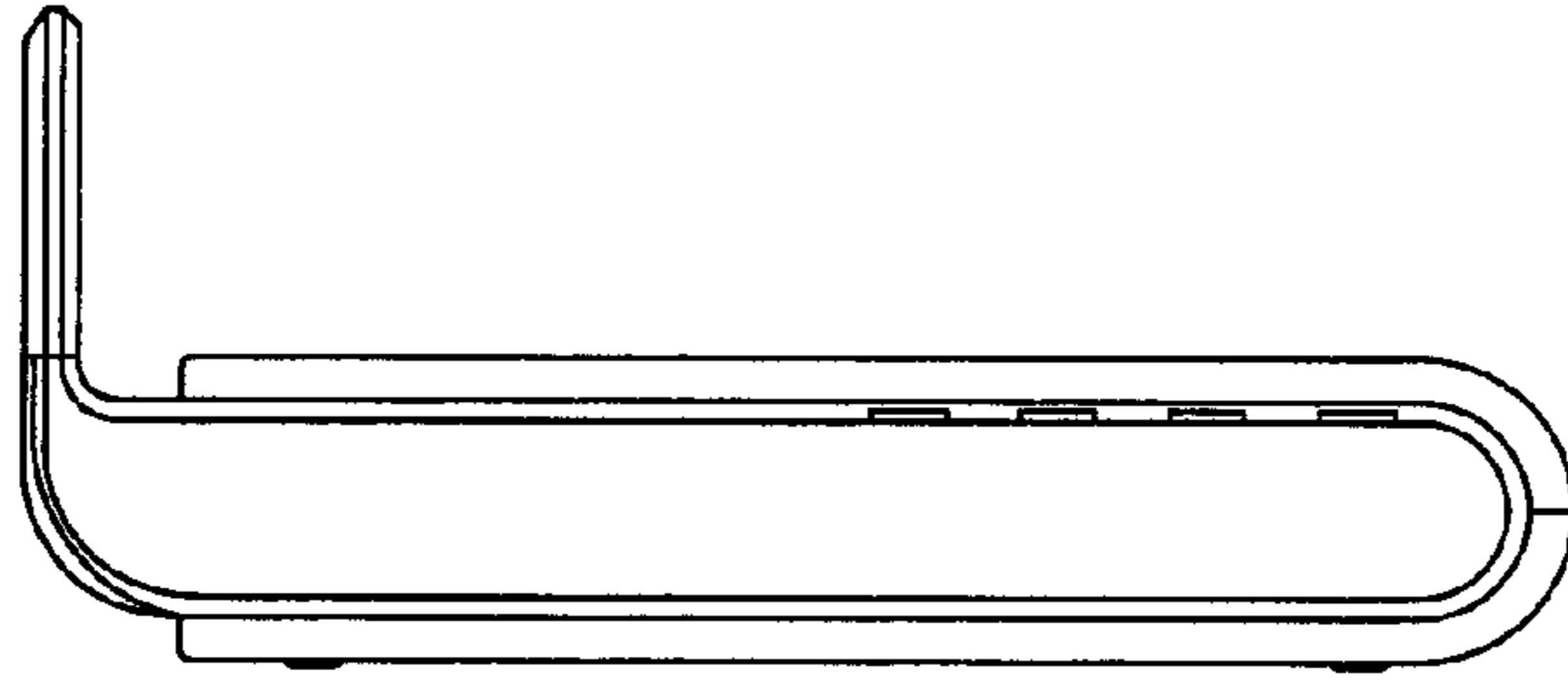


FIG. 3

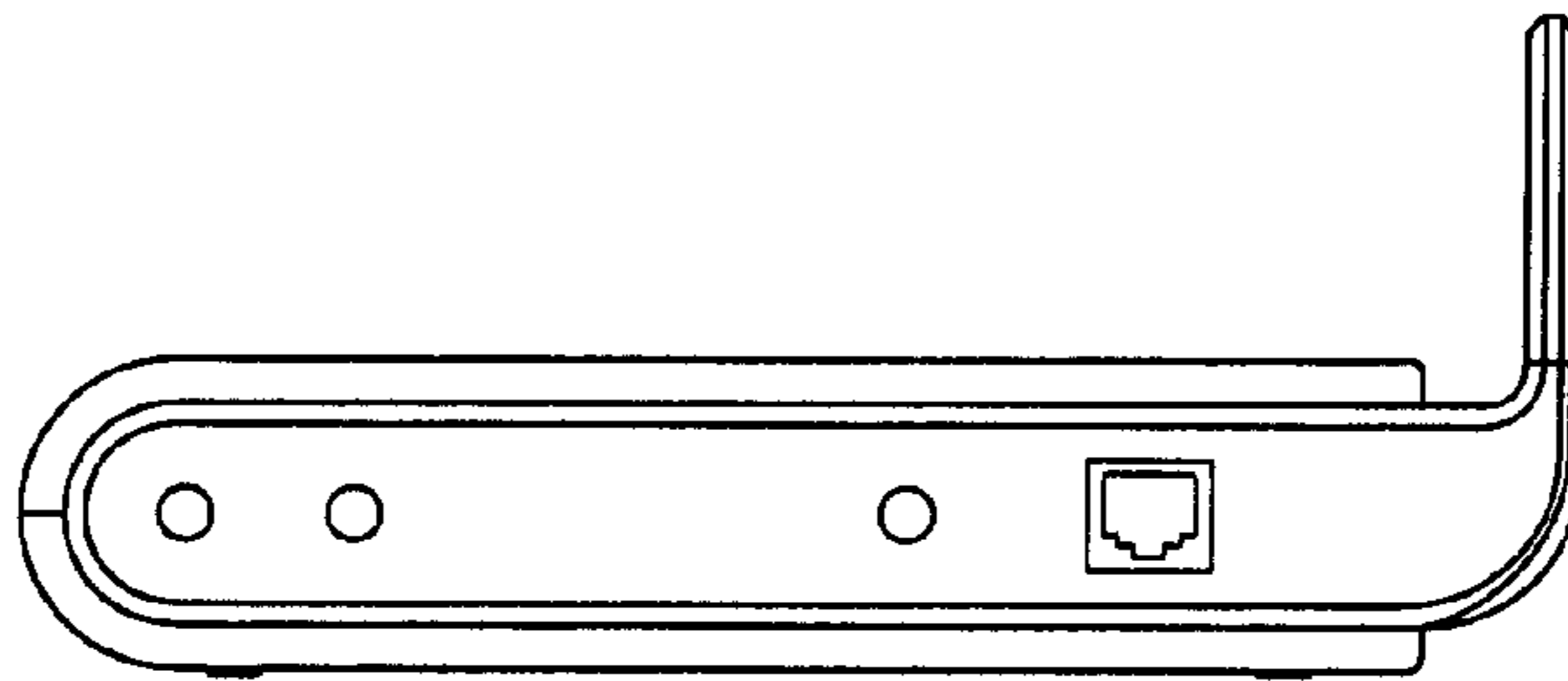


FIG. 4

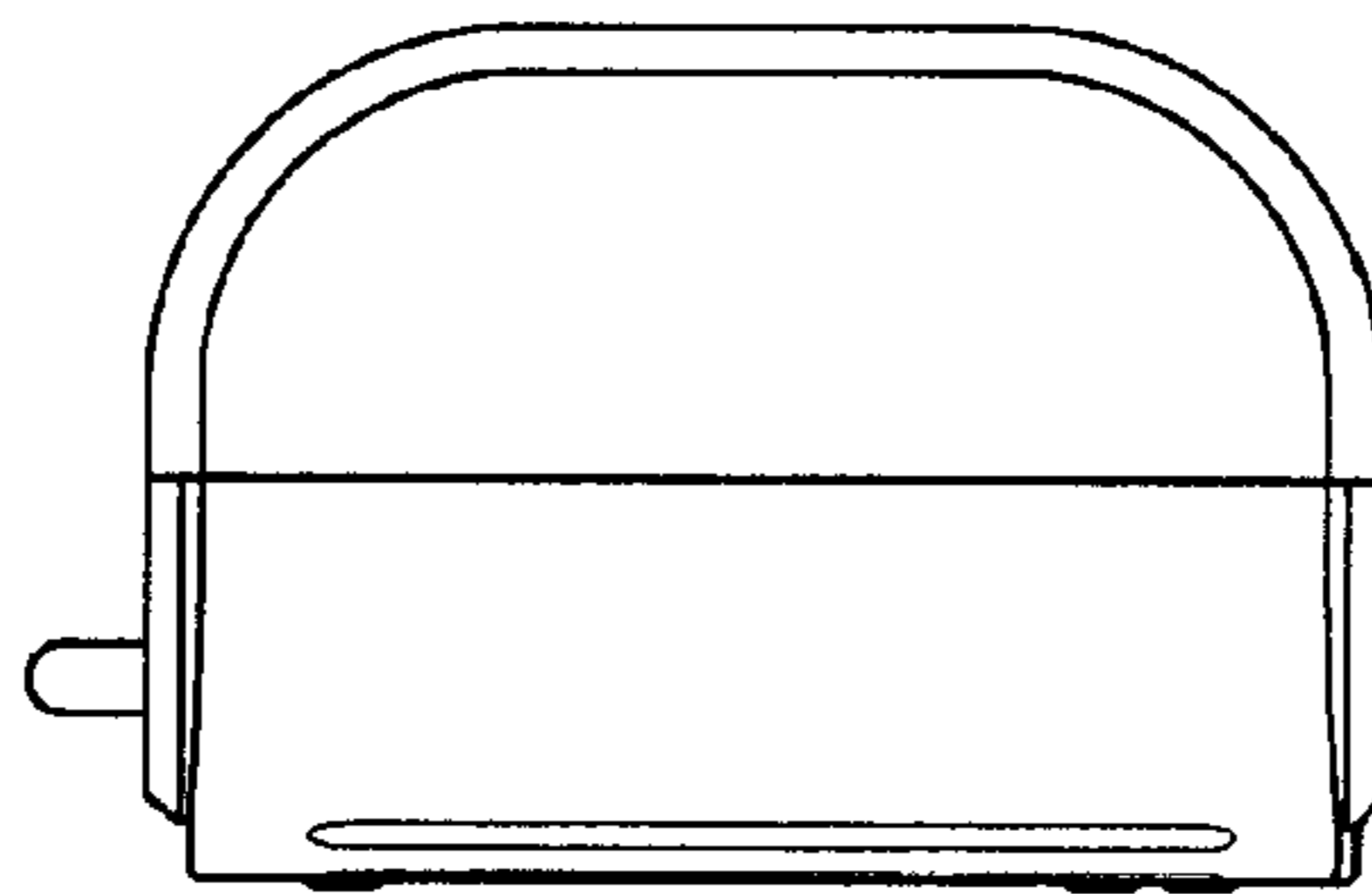


FIG. 5

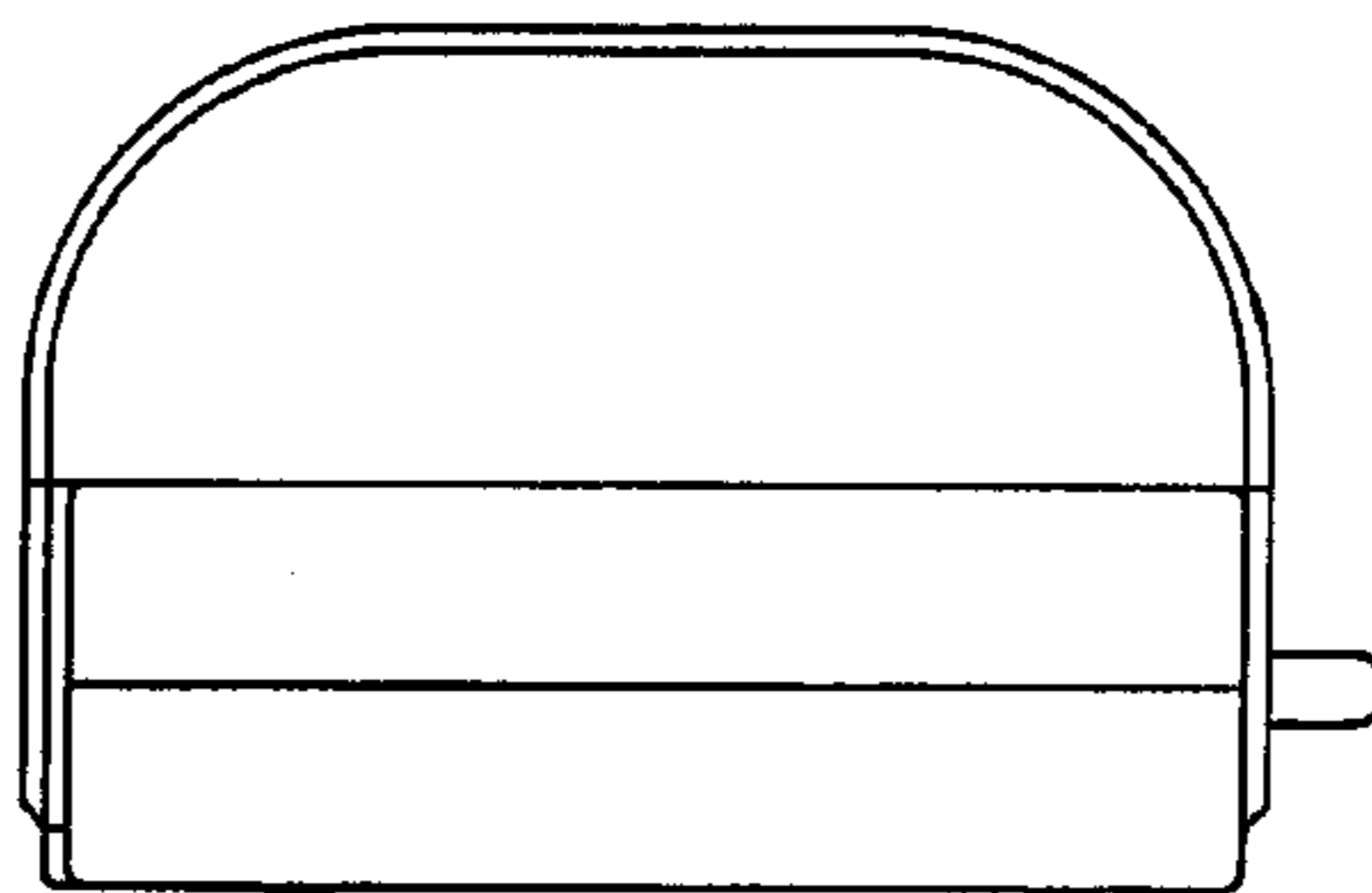


FIG. 6

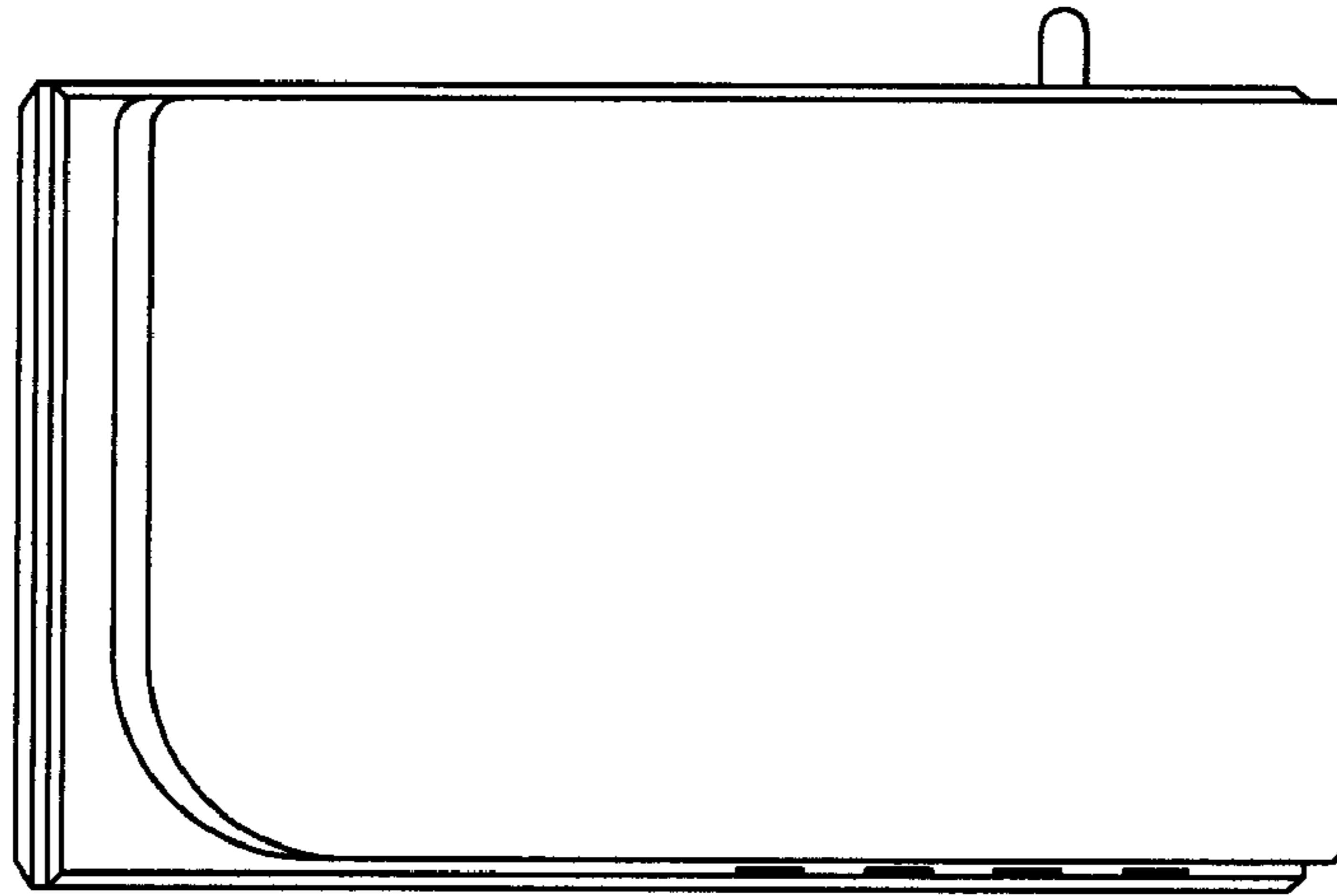


FIG. 7

