



US00D549695S

(12) **United States Design Patent**
Lee

(10) **Patent No.:** **US D549,695 S**

(45) **Date of Patent:** **** Aug. 28, 2007**

(54) **MICROPHONE STAND**

(75) Inventor: **Kyung Ho Lee**, Seoul (KR)

(73) Assignee: **Enter Tech Co., Ltd.**, Seoul (KR)

(**) Term: **14 Years**

(21) Appl. No.: **29/235,676**

(22) Filed: **Aug. 4, 2005**

(30) **Foreign Application Priority Data**

Feb. 17, 2005 (KR) 30-2005-0004978

(51) **LOC (8) Cl.** **14-01**

(52) **U.S. Cl.** **D14/227**

(58) **Field of Classification Search** D14/149,
D14/155, 159, 168, 217, 227, 228, 229, 253,
D14/434; D13/107, 108; 320/111, 113; 455/462
See application file for complete search history.

(56) **References Cited**

U.S. PATENT DOCUMENTS

D231,836 S * 6/1974 Genaro D14/149
D357,016 S * 4/1995 Li et al. D14/168
D400,164 S * 10/1998 Lindahl D13/108
D401,552 S * 11/1998 Tanaka et al. D13/107
D411,166 S * 6/1999 Uemura et al. D13/107

6,307,348 B1 * 10/2001 Green 320/111
D453,731 S * 2/2002 Hauptli D13/108
D477,823 S * 7/2003 Lavello, Sr. D14/253
D493,441 S * 7/2004 Sabick et al. D14/149
D495,336 S * 8/2004 Andre et al. D14/434
D520,446 S * 5/2006 Liu et al. D13/108
D524,282 S * 7/2006 Beasley et al. D14/149
D525,616 S * 7/2006 Andre et al. D14/217

* cited by examiner

Primary Examiner—Paula A. Greene

(74) *Attorney, Agent, or Firm*—The Farrell Law Firm

(57) **CLAIM**

The ornamental design for a microphone stand, as shown and described.

DESCRIPTION

FIG. 1 is a perspective view of the microphone stand showing my new design; FIG. 2 is a front view of the microphone stand of FIG. 1; FIG. 3 is a rear view of the microphone stand of FIG. 1; FIG. 4 is a left side view of the microphone stand of FIG. 1; FIG. 5 is a right side view of the microphone stand of FIG. 1; FIG. 6 is a top view of the microphone stand of FIG. 1; and, FIG. 7 is a bottom view of the microphone stand of FIG. 1.

1 Claim, 4 Drawing Sheets

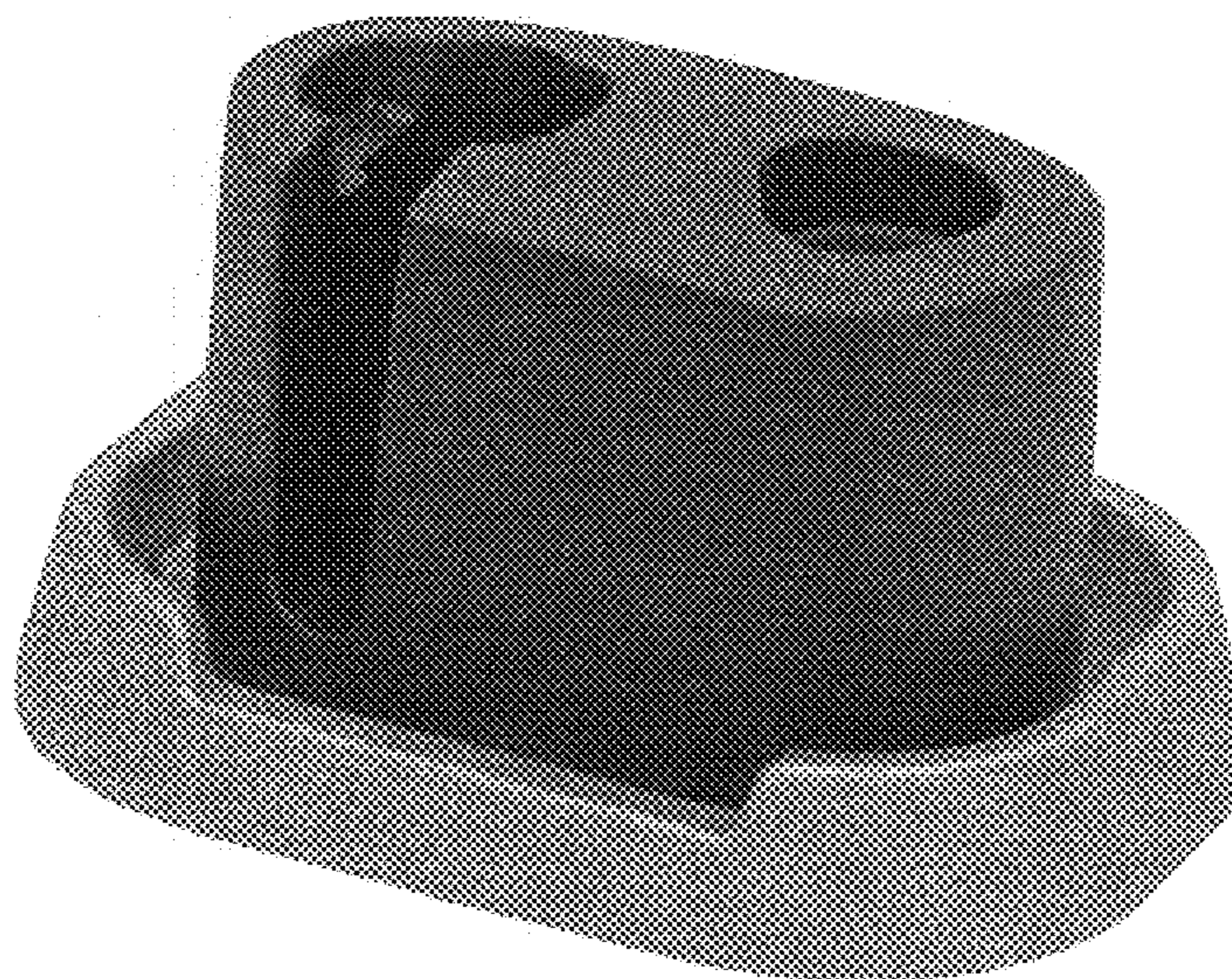


FIG. 1

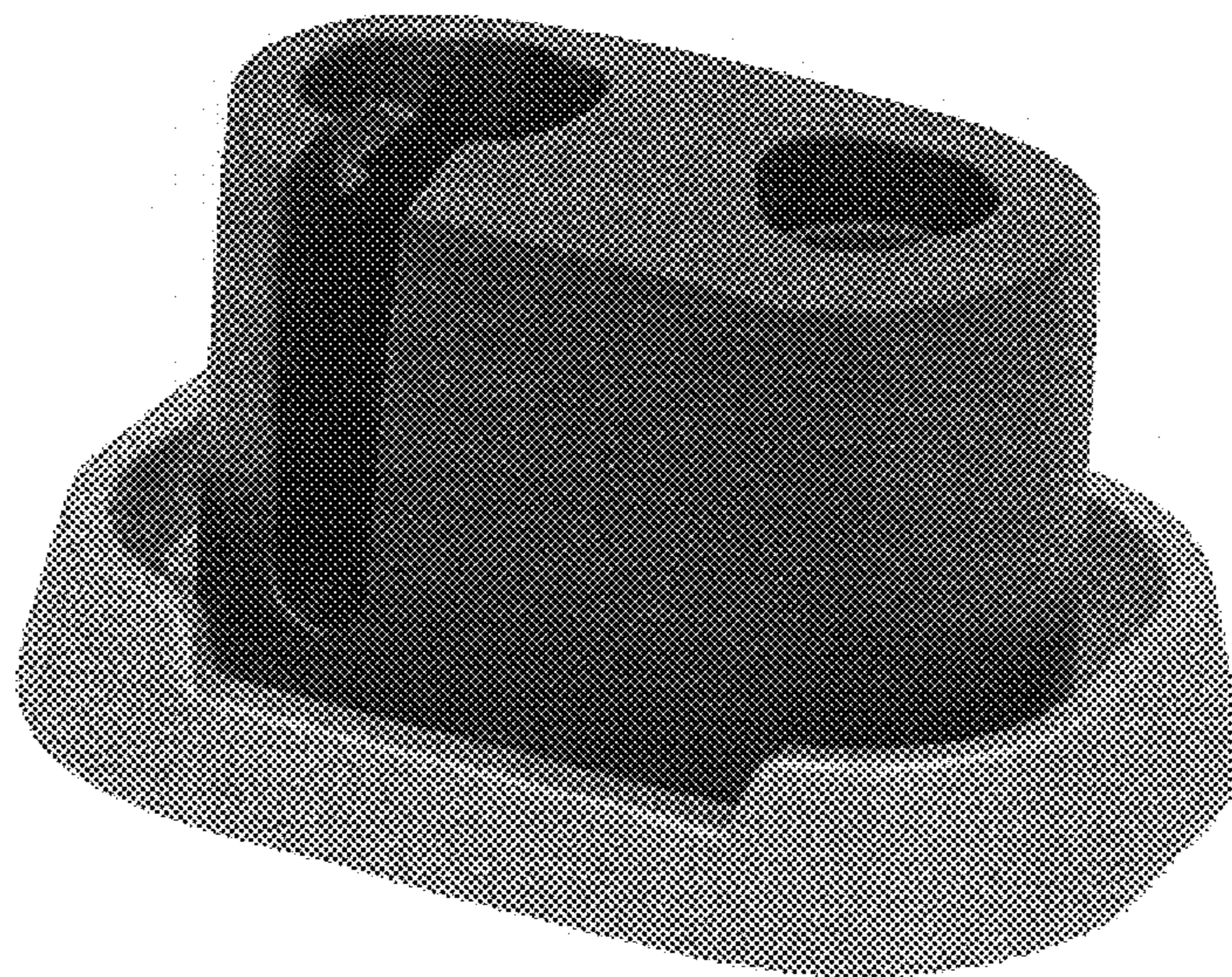


FIG. 2

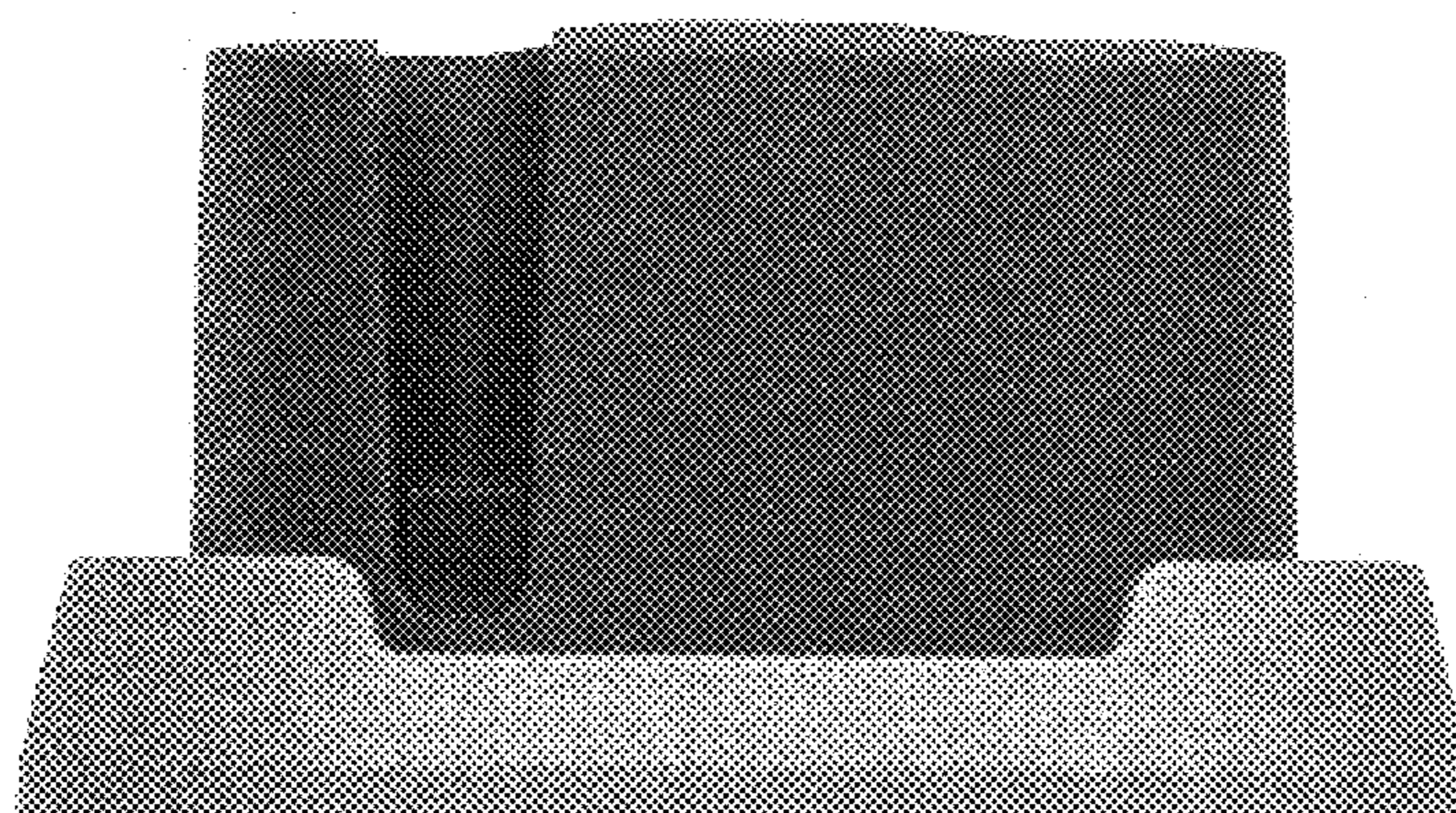


FIG. 3

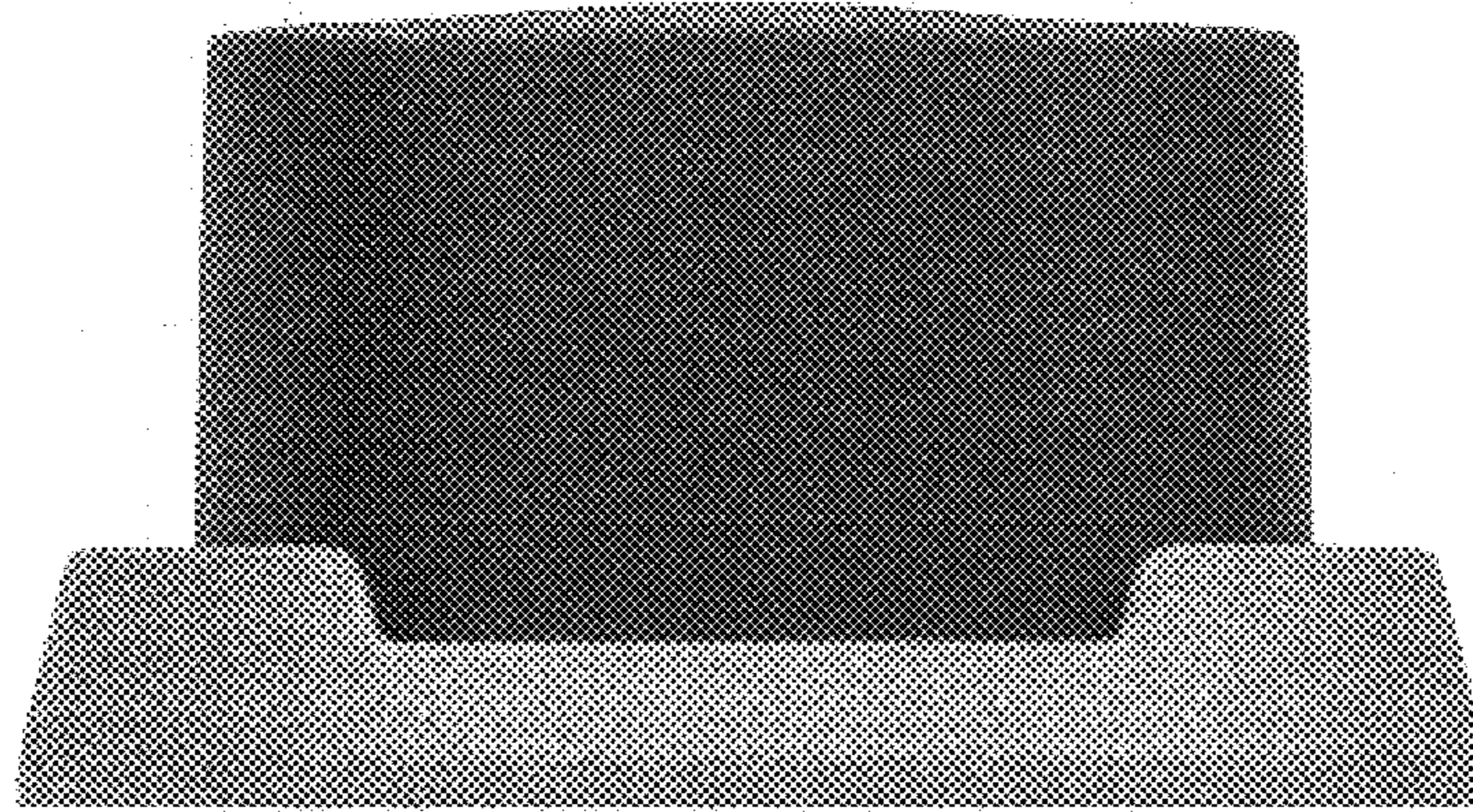


FIG. 4

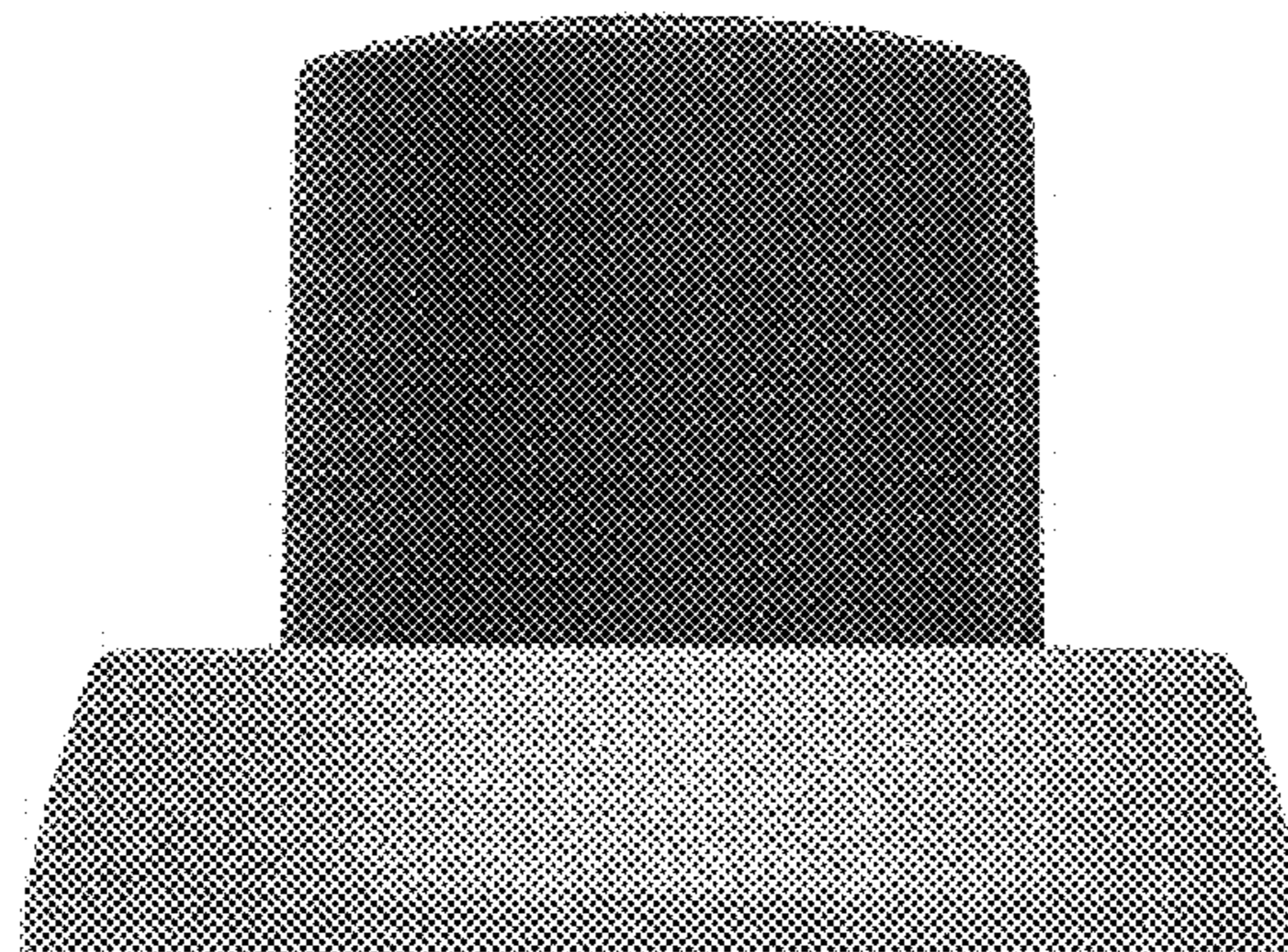


FIG. 5

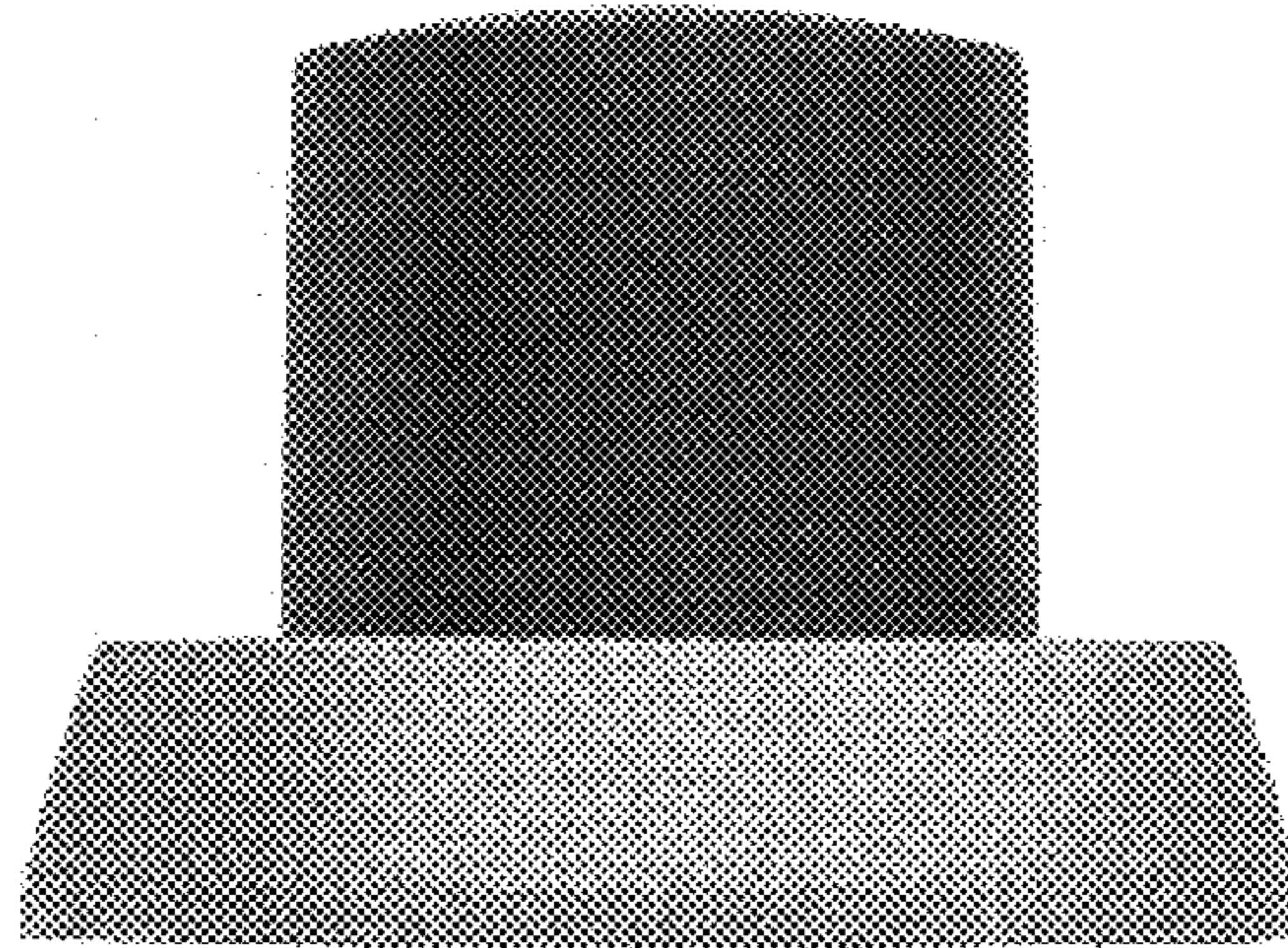


FIG. 6

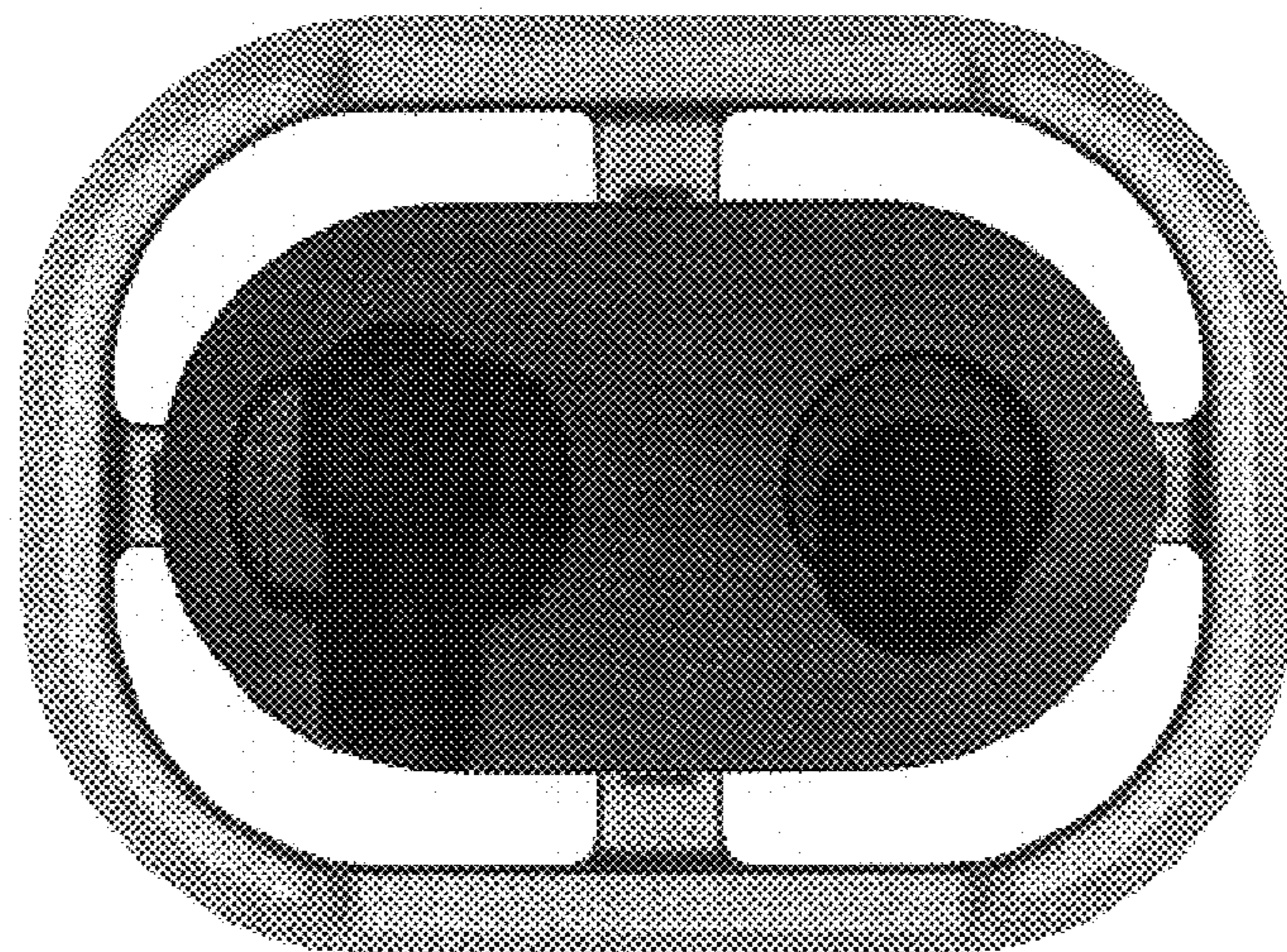


FIG. 7

