



US00D549694S

(12) **United States Design Patent**
Viduya et al.

(10) **Patent No.:** **US D549,694 S**

(45) **Date of Patent:** **** Aug. 28, 2007**

(54) **HEADSET**

(75) Inventors: **Andres Viduya**, Cranberry Township, PA (US); **Graham Lacy**, London (GB); **Philip Shade**, London (GB)

(73) Assignee: **Vocollect, Inc.**, Pittsburgh, PA (US)

(**) Term: **14 Years**

(21) Appl. No.: **29/242,817**

(22) Filed: **Nov. 15, 2005**

(51) **LOC (8) Cl.** **14-01**

(52) **U.S. Cl.** **D14/223; D14/205**

(58) **Field of Classification Search** D14/188,
D14/192, 205, 206, 223; 2/209, 410, 423;
181/129, 130; 381/378, 379, 309, 380, 381;
379/430; D29/108, 112, 122

See application file for complete search history.

(56) **References Cited**

U.S. PATENT DOCUMENTS

3,087,028	A	*	4/1963	Bonnin	379/430
D212,863	S	*	12/1968	Roberts	D14/192
3,984,885	A	*	10/1976	Yoshimura et al.	381/309
D301,145	S	*	5/1989	Besasio et al.	D14/205
D313,092	S	*	12/1990	Nilsson	D29/112
5,179,736	A	*	1/1993	Scanlon	2/209
5,406,037	A	*	4/1995	Nageno et al.	181/129
6,016,347	A	*	1/2000	Magnasco et al.	379/430
D491,917	S	*	6/2004	Asai	D14/205
D519,497	S	*	4/2006	Komiyama	D14/223
D524,794	S	*	7/2006	Kim	D14/205
D525,237	S	*	7/2006	Viduya et al.	D14/223

OTHER PUBLICATIONS

Vocollect Speech Recognition Headsets brochure—Charity and comfort. Reliable performance. Copyright September 2005.

Vocollect Speech Recognition Headsets brochure—SR 30 Series Talkman High-Noise Headset. Copyright 2005.

Vocollect SR 20 Talkman Lightweight Headset Product Information Sheet. Copyright August 2004.

Photographs 1–7 SR Talkman Headset August 2004—Prior Art.

Supplemental Vocollect SR 20, Talkman Lightweight Headset brochure. Copyright August 2004.

* cited by examiner

Primary Examiner—Paula A. Greene

(74) *Attorney, Agent, or Firm*—Wood, Herron & Evans, LLP

(57) **CLAIM**

The ornamental design for a headset, as shown and described.

DESCRIPTION

FIG. 1 is a front perspective view of another embodiment of the invention shown with environmental aspects;

FIG. 2 is a front elevational view relative to FIG. 1;

FIG. 3 is a right side elevational view relative to FIG. 1;

FIG. 4 is a rear elevational view relative to FIG. 1;

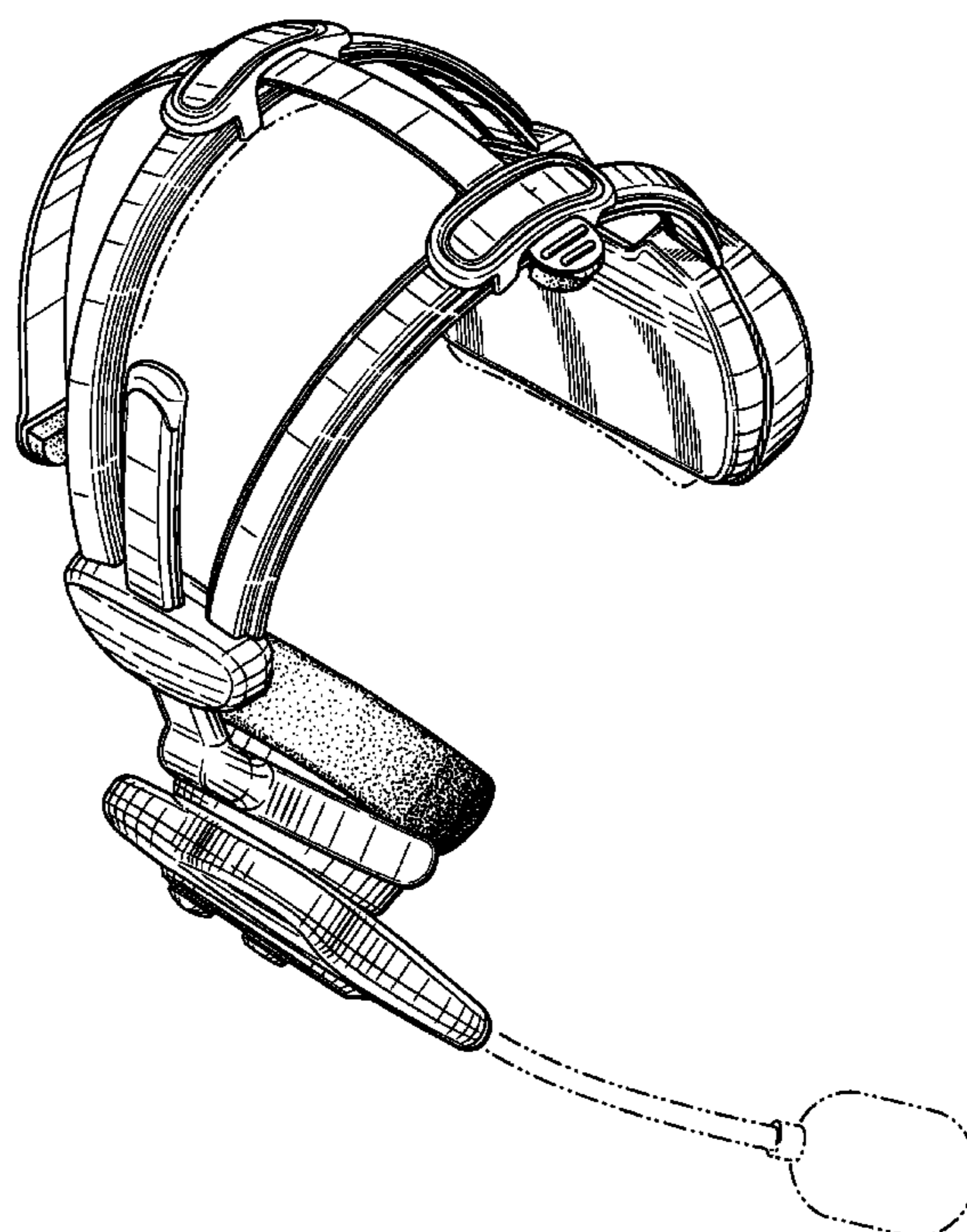
FIG. 5 is a left side elevational view relative to FIG. 1;

FIG. 6 is a top view relative to FIG. 1; and,

FIG. 7 is a bottom view relative to FIG. 1.

The broken lines are for illustrative purposes only and forms no part of the claimed design.

1 Claim, 7 Drawing Sheets



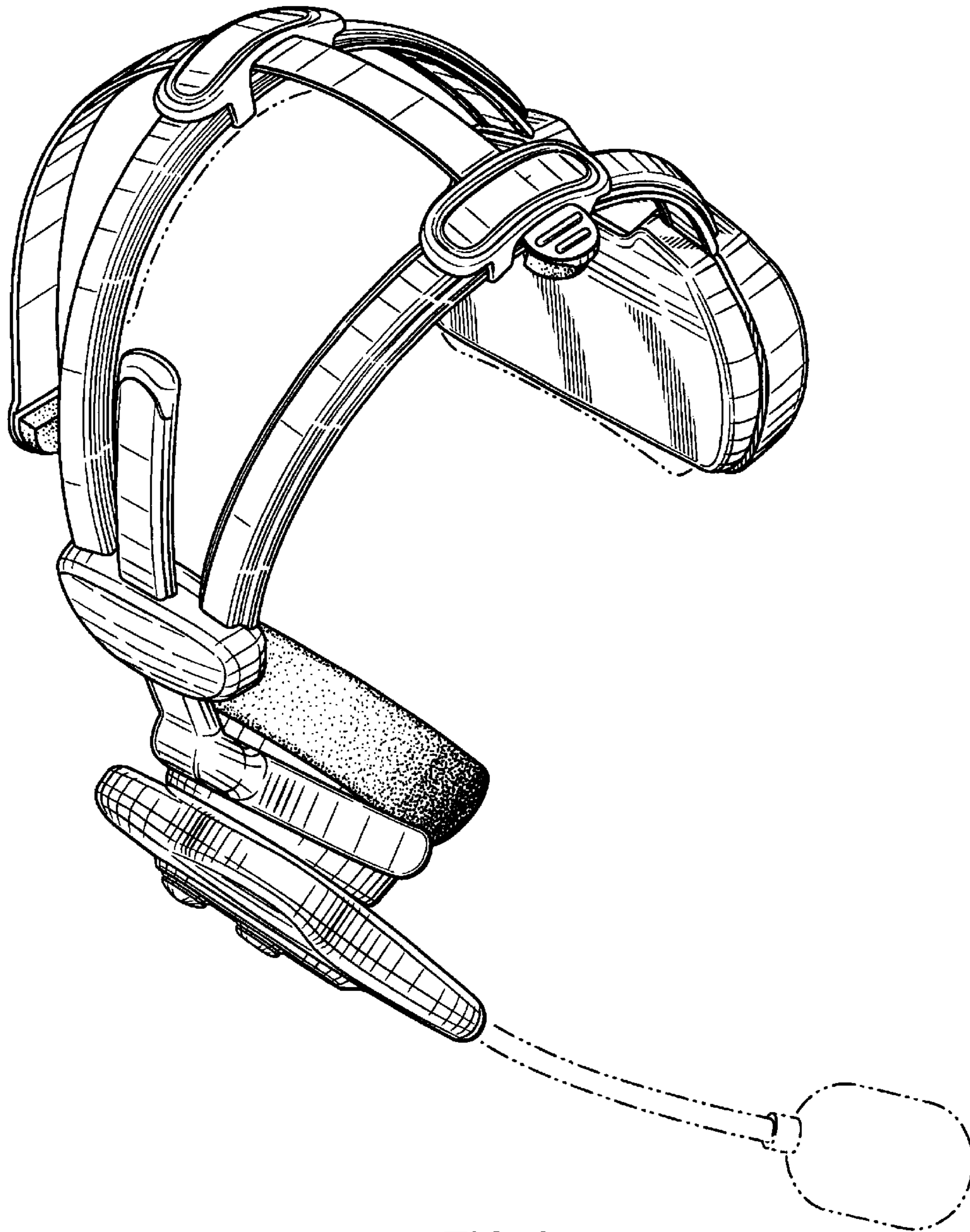


FIG. 1

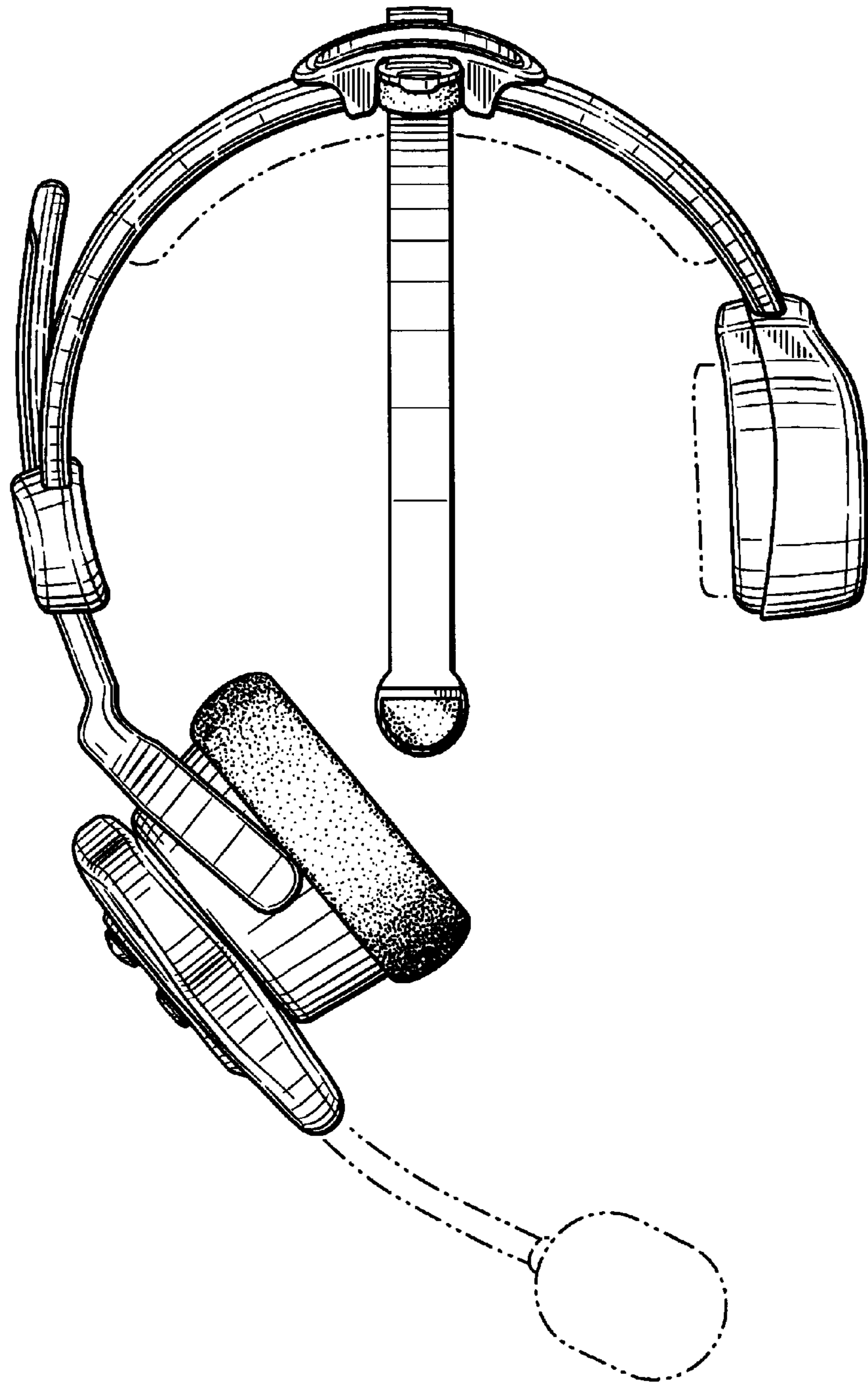


FIG. 2

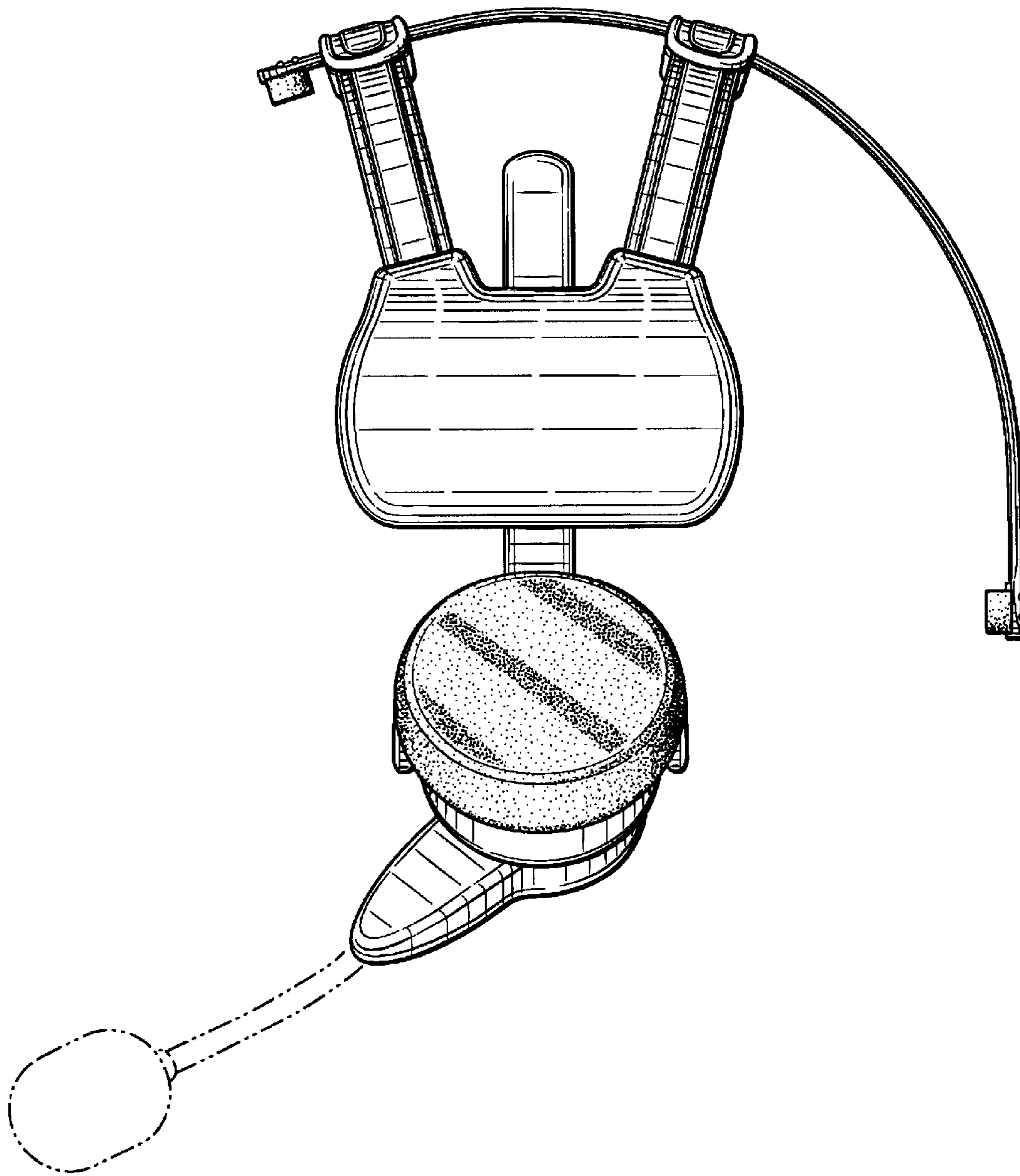


FIG. 3

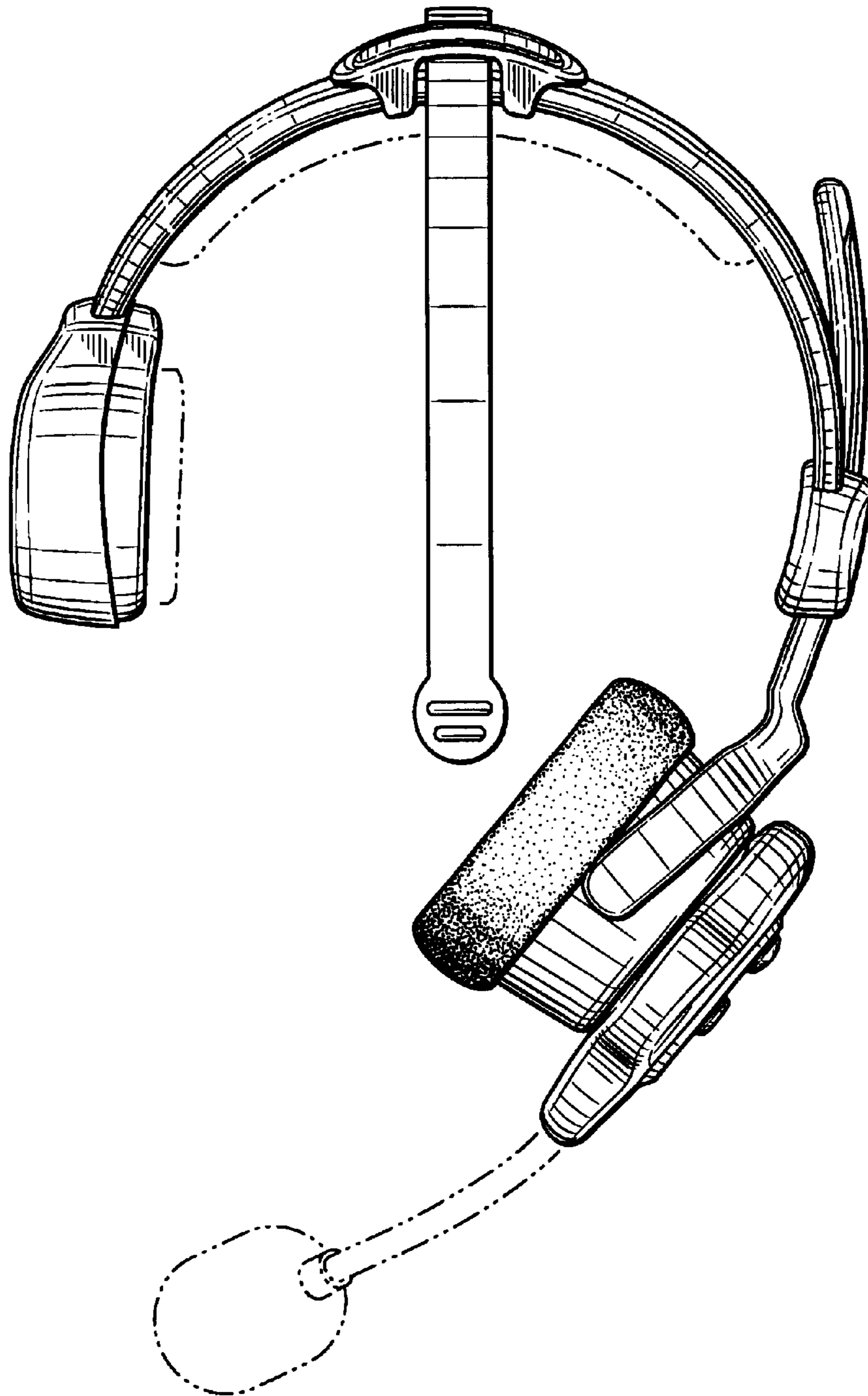


FIG. 4

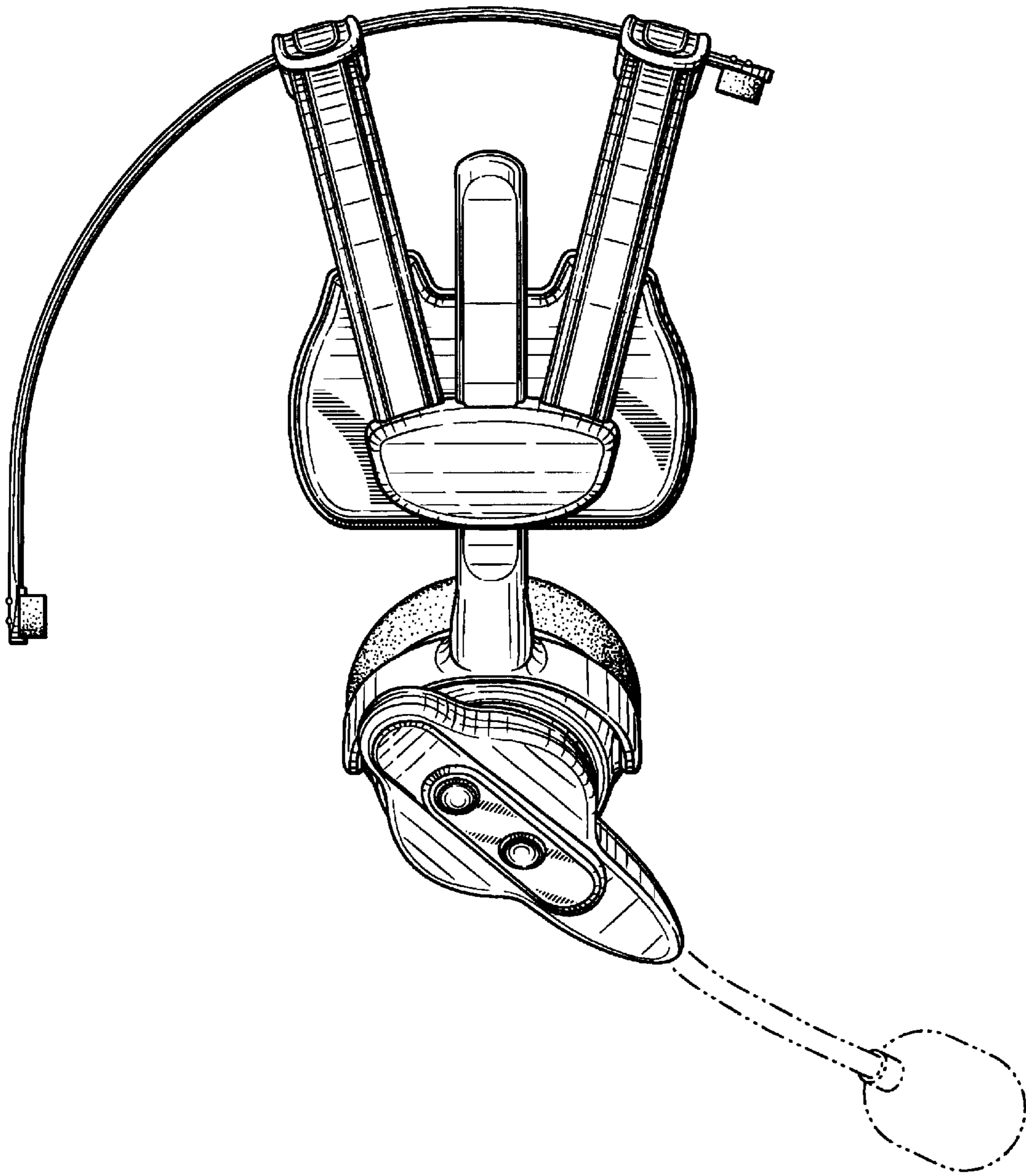


FIG. 5

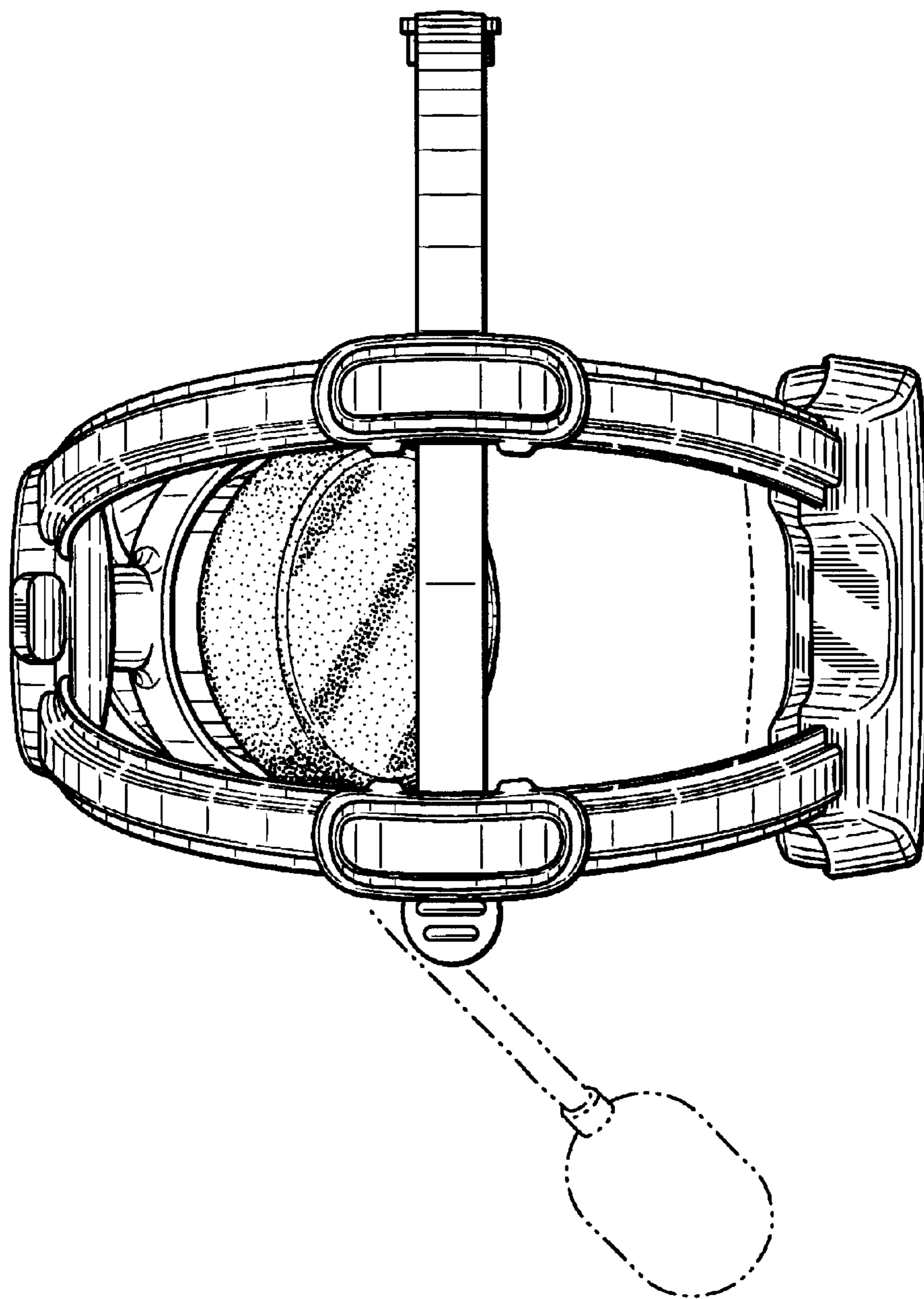


FIG. 6

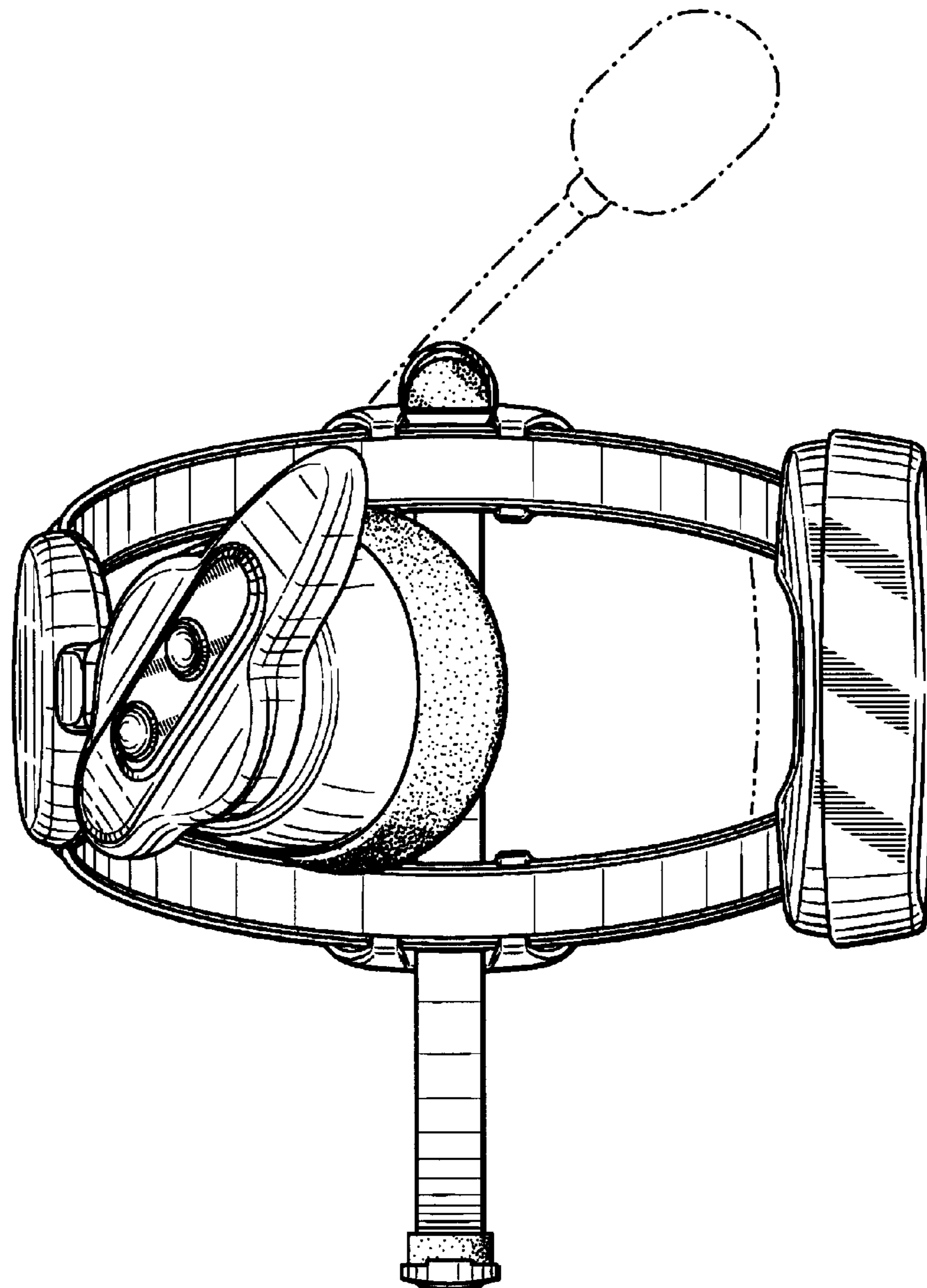


FIG. 7