



US00D549688S

(12) **United States Design Patent**  
**Suzuki**

(10) **Patent No.:** **US D549,688 S**

(45) **Date of Patent:** **\*\* Aug. 28, 2007**

(54) **HEADPHONE**

(75) **Inventor:** **Satoshi Suzuki**, Tokyo (JP)

(73) **Assignee:** **Sony Corporation**, Tokyo (JP)

(\*\*) **Term:** **14 Years**

(21) **Appl. No.:** **29/251,489**

(22) **Filed:** **Jan. 10, 2006**

(51) **LOC (8) Cl.** ..... **14-01**

(52) **U.S. Cl.** ..... **D14/205**

(58) **Field of Classification Search** ..... D14/188,  
D14/192, 205, 206, 223; 181/129, 130; 379/110.01,  
379/430, 431, 428.02; 381/371, 372, 376,  
381/378, 379, 377; 455/575.2; 24/3.1; 2/209,  
2/423; 74/822

See application file for complete search history.

(56) **References Cited**

**U.S. PATENT DOCUMENTS**

- 2,505,684 A \* 4/1950 McClernon ..... 74/822
- D246,259 S \* 11/1977 Nishimura et al. .... D14/205
- 4,302,635 A \* 11/1981 Jacobsen et al. .... 381/371
- 4,465,159 A \* 8/1984 Stallings ..... 181/129
- 4,471,496 A \* 9/1984 Gardner et al. .... 2/209
- 4,689,822 A \* 8/1987 Houng ..... 381/379
- D292,205 S \* 10/1987 Kikutani ..... D14/205
- 5,018,599 A \* 5/1991 Dohi et al. .... 181/129

- D328,074 S \* 7/1992 Yamazaki et al. .... D14/205
- 5,406,037 A \* 4/1995 Nageno et al. .... 181/129
- D373,360 S \* 9/1996 Kanno ..... D14/205
- D410,466 S 6/1999 Mouri
- D431,550 S 10/2000 Yoneda
- 6,449,806 B1 \* 9/2002 Engelhard et al. .... 24/3.1
- D484,485 S \* 12/2003 Matsuoka ..... D14/205
- D504,414 S 4/2005 Yoshida

**FOREIGN PATENT DOCUMENTS**

JP 1030208 S 1/1999

\* cited by examiner

*Primary Examiner*—Paula A. Greene

(74) *Attorney, Agent, or Firm*—Rader, Fishman & Grauer  
PLLC

(57) **CLAIM**

The ornamental design for a headphone, as shown.

**DESCRIPTION**

FIG. 1 is a perspective view of a headphoonee showing my new design;

FIG. 2 is a front elevational view thereof;

FIG. 3 is a rear elevational view thereof;

FIG. 4 is a left side elevational view thereof;

FIG. 5 is a right side elevational view thereof;

FIG. 6 is a top plan view thereof; and,

FIG. 7 is a bottom plan view thereof.

**1 Claim, 7 Drawing Sheets**

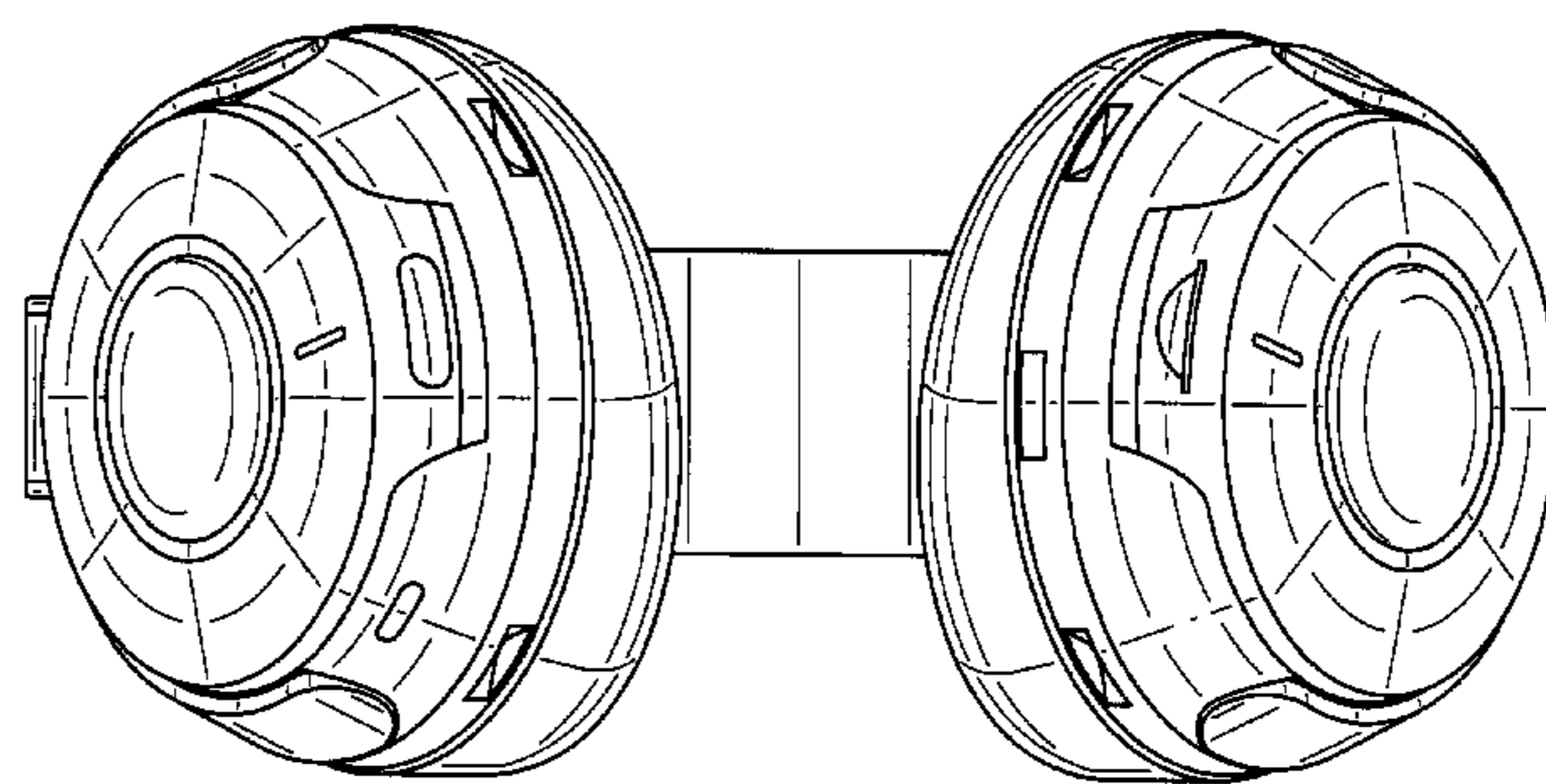
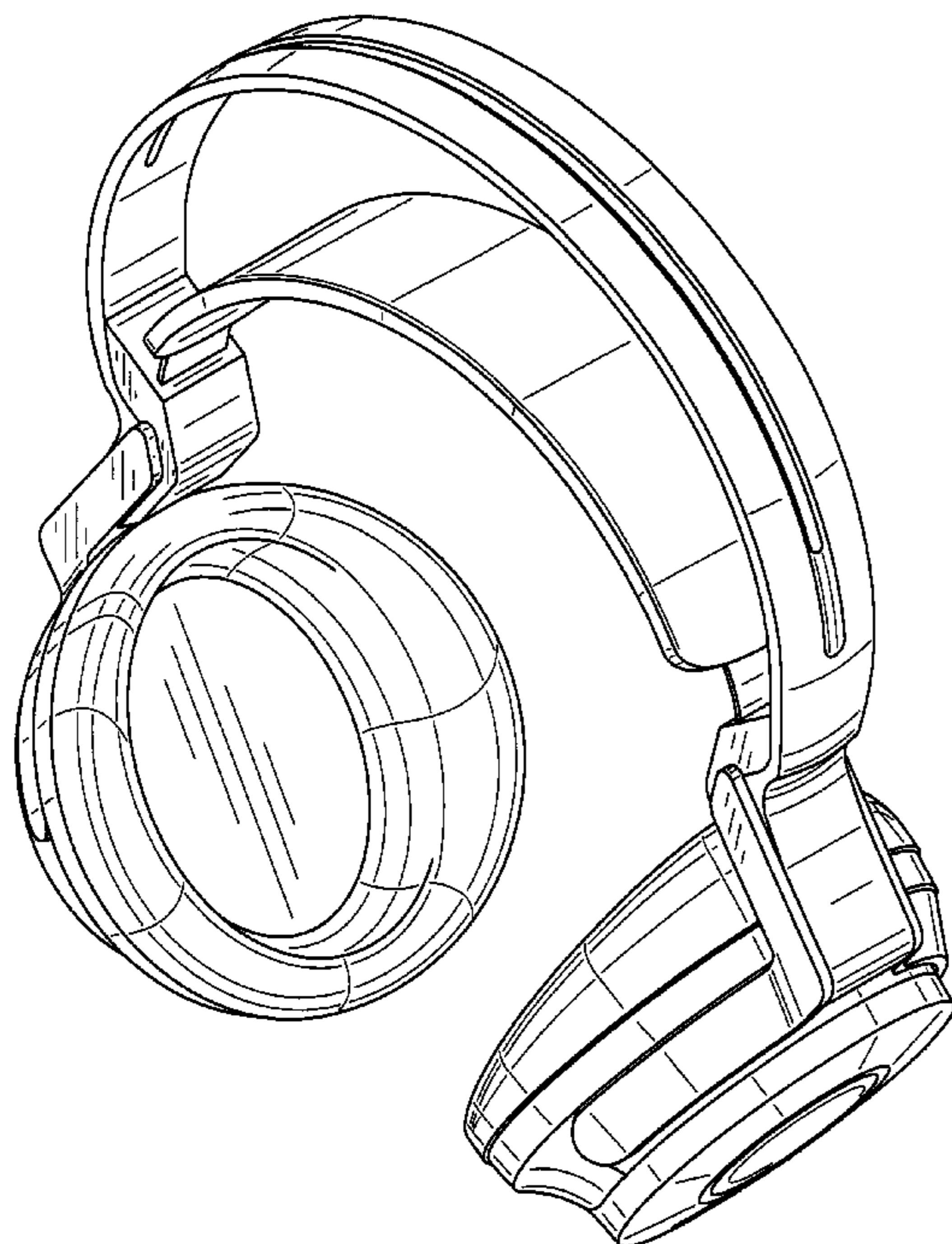


Fig.1

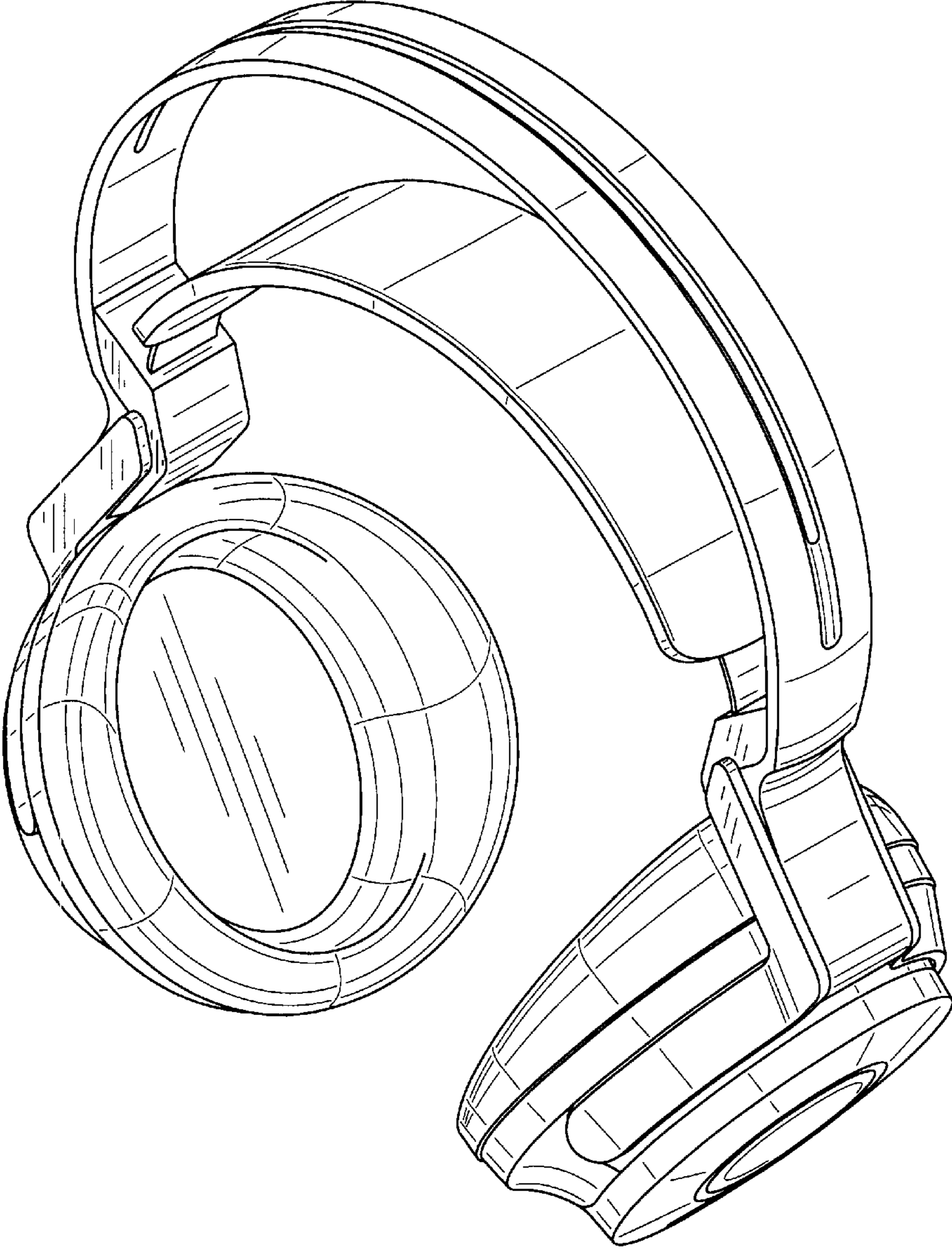


Fig.2



Fig.3



Fig.4

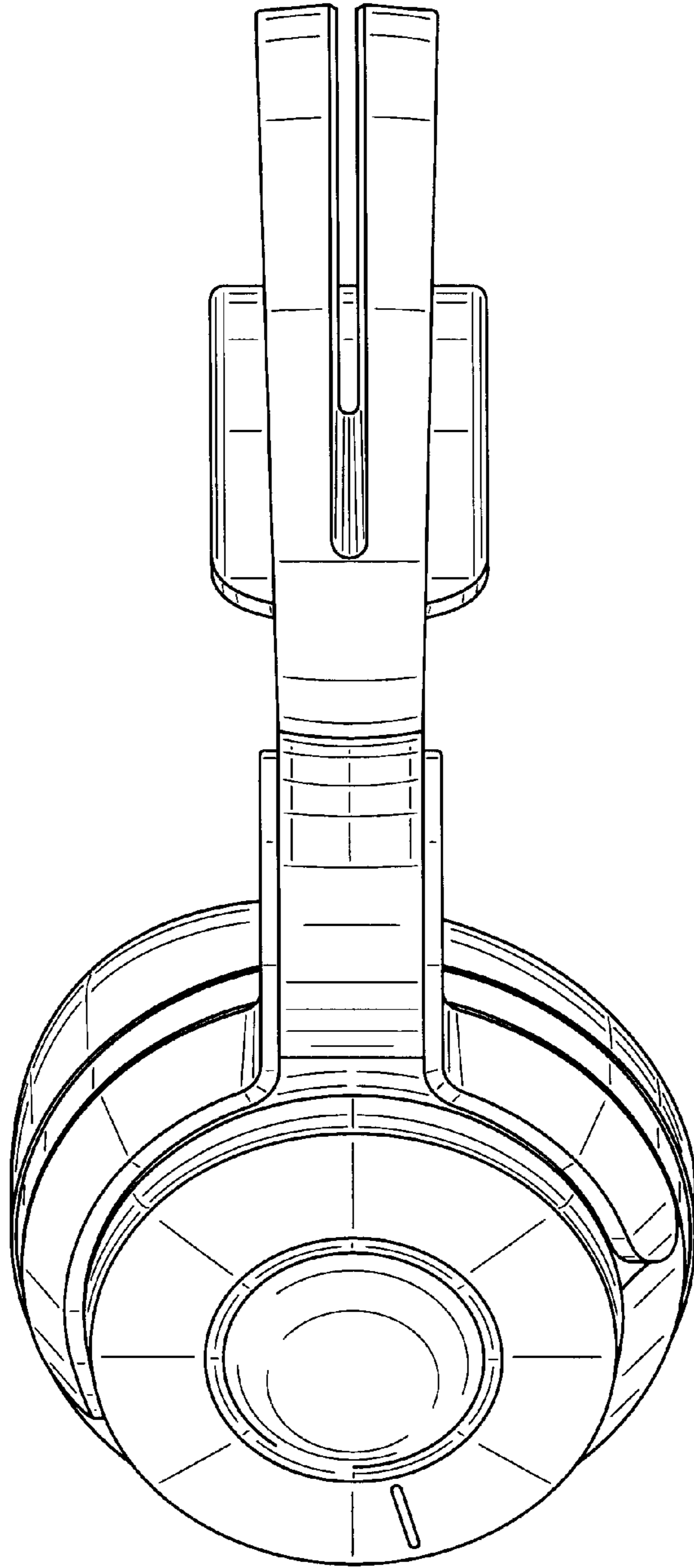


Fig.5

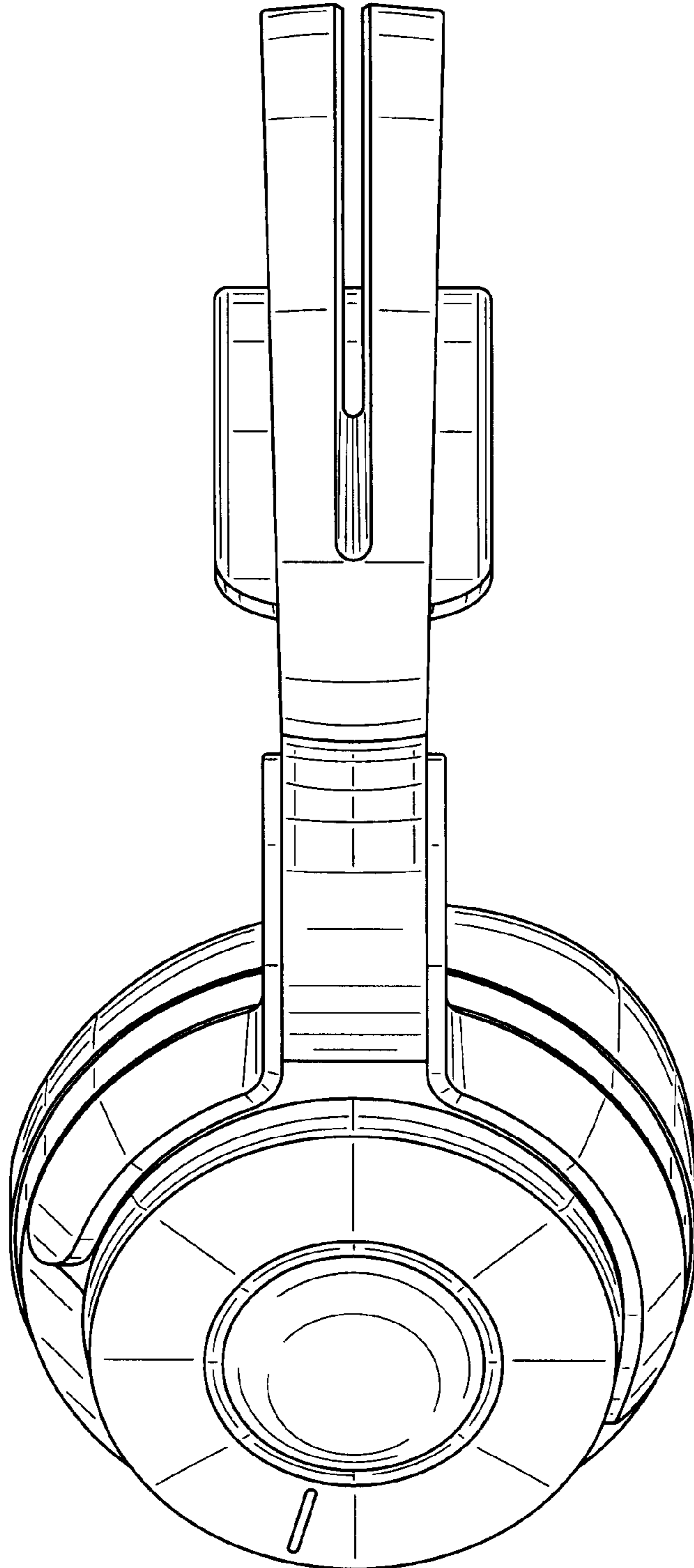


Fig.6

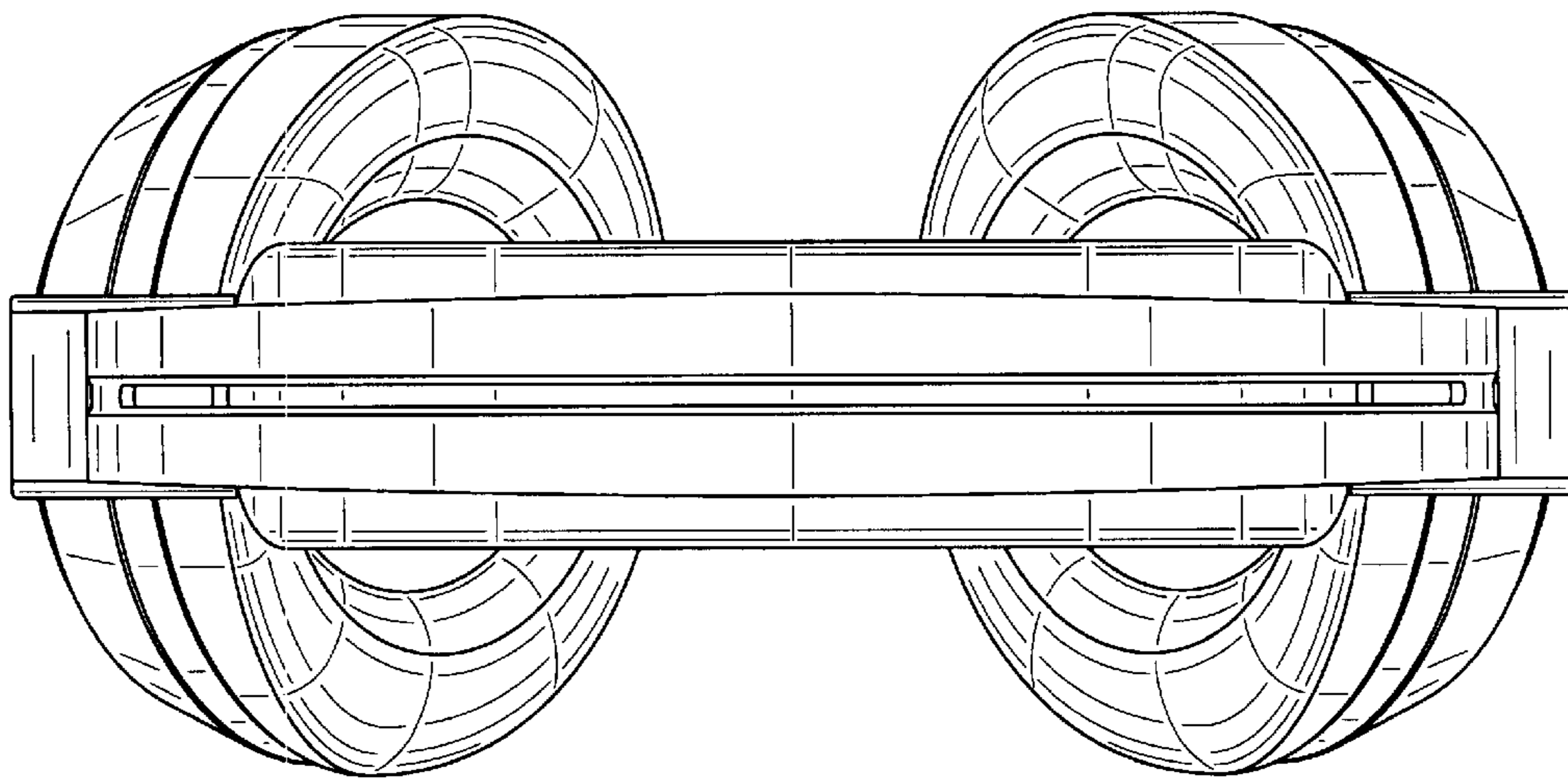


Fig.7

