

US00D549686S

(12) **United States Design Patent**
Leung

(10) **Patent No.:** **US D549,686 S**

(45) **Date of Patent:** **** Aug. 28, 2007**

(54) **MP3 PLAYER WITH PEDOMETER**

D354,286 S * 1/1995 Van Wijnen D14/191

D496,344 S * 9/2004 Chen D14/171

(75) Inventor: **Chun Fai Leung**, Hong Kong (CN)

D499,715 S * 12/2004 Zeitman D14/171

(73) Assignee: **Sweda Limited**, Hong Kong (HK)

6,882,955 B1 * 4/2005 Ohlenbusch et al. 702/160

(**) Term: **14 Years**

* cited by examiner

(21) Appl. No.: **29/253,648**

Primary Examiner—Nanda Bondade

(22) Filed: **Feb. 10, 2006**

(57) **CLAIM**

(30) **Foreign Application Priority Data**

The ornamental design for a MP3 player with pedometer, as shown and described.

Aug. 29, 2005 (HK) 0502002

(51) **LOC (8) Cl.** **14-01**

DESCRIPTION

(52) **U.S. Cl.** **D14/168; D14/496**

(58) **Field of Classification Search** D14/156,
D14/167-168, 171-172, 191-192, 217, 496;
D10/70, 98; 702/144, 160, 176; D26/38;
360/99.07; 369/75.11, 75.21, 77.21; 720/612,
720/619, 647, 655; 235/105; 455/347-351;
324/160

FIG. 1 is a front elevational view of a MP3 player with pedometer showing my new design;

FIG. 2 is a rear elevational view thereof;

FIG. 3 is a left side view thereof;

FIG. 4 is a right side view thereof;

FIG. 5 is a top plan view thereof;

FIG. 6 is a bottom plan view thereof; and,

FIG. 7 is a perspective view thereof.

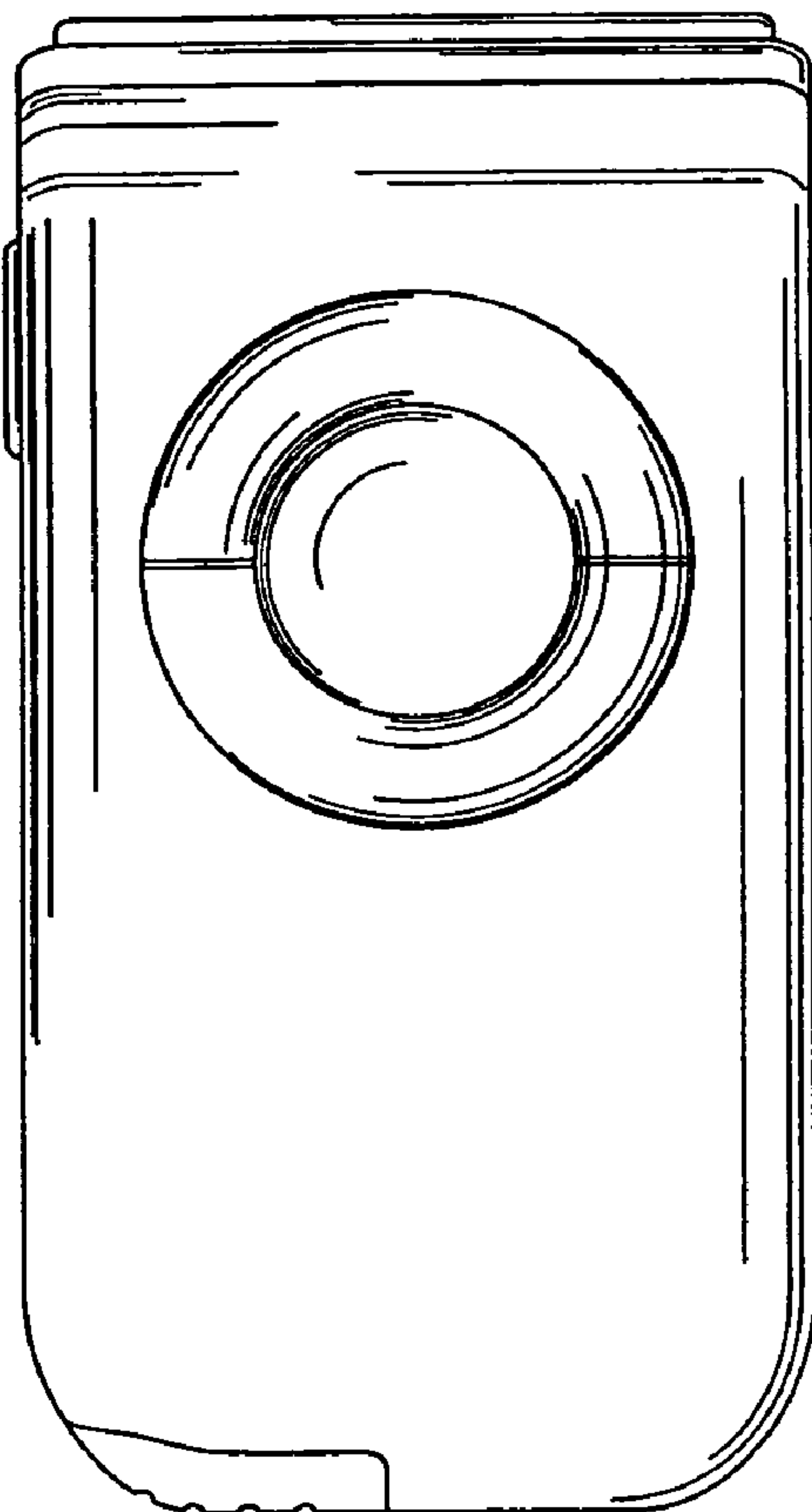
See application file for complete search history.

(56) **References Cited**

U.S. PATENT DOCUMENTS

D351,836 S * 10/1994 Nagele et al. D14/191

1 Claim, 3 Drawing Sheets



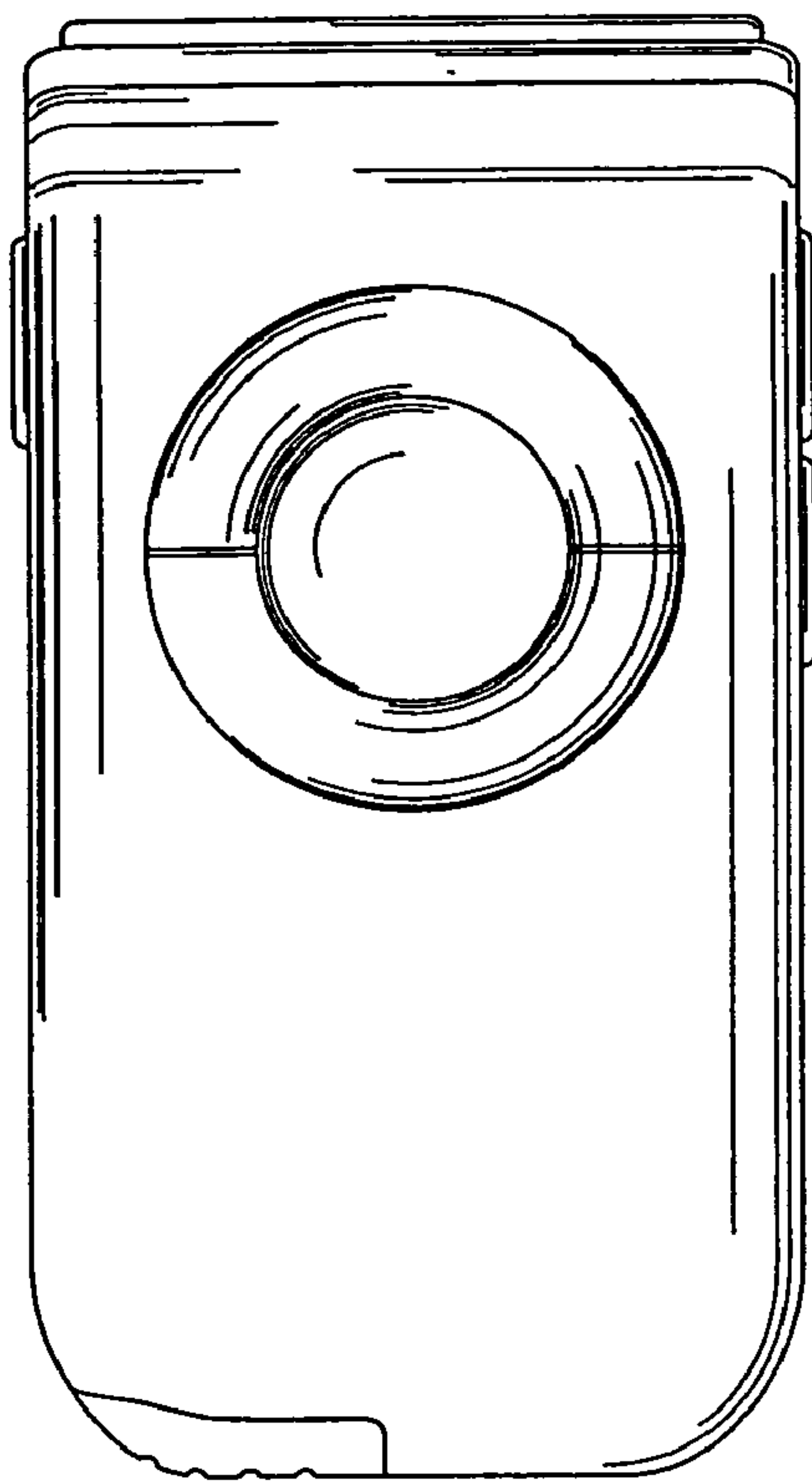


FIG. 1

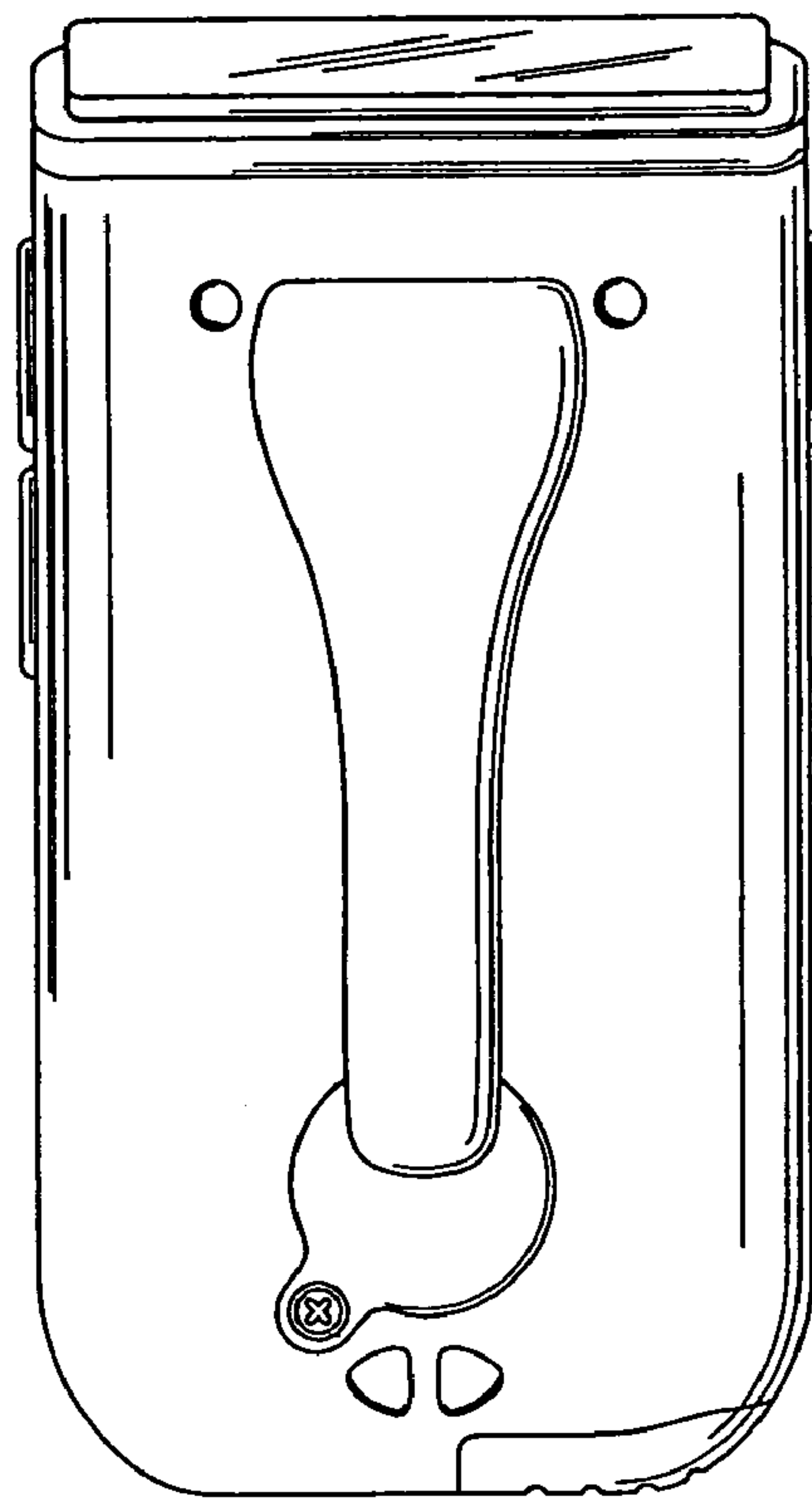


FIG. 2

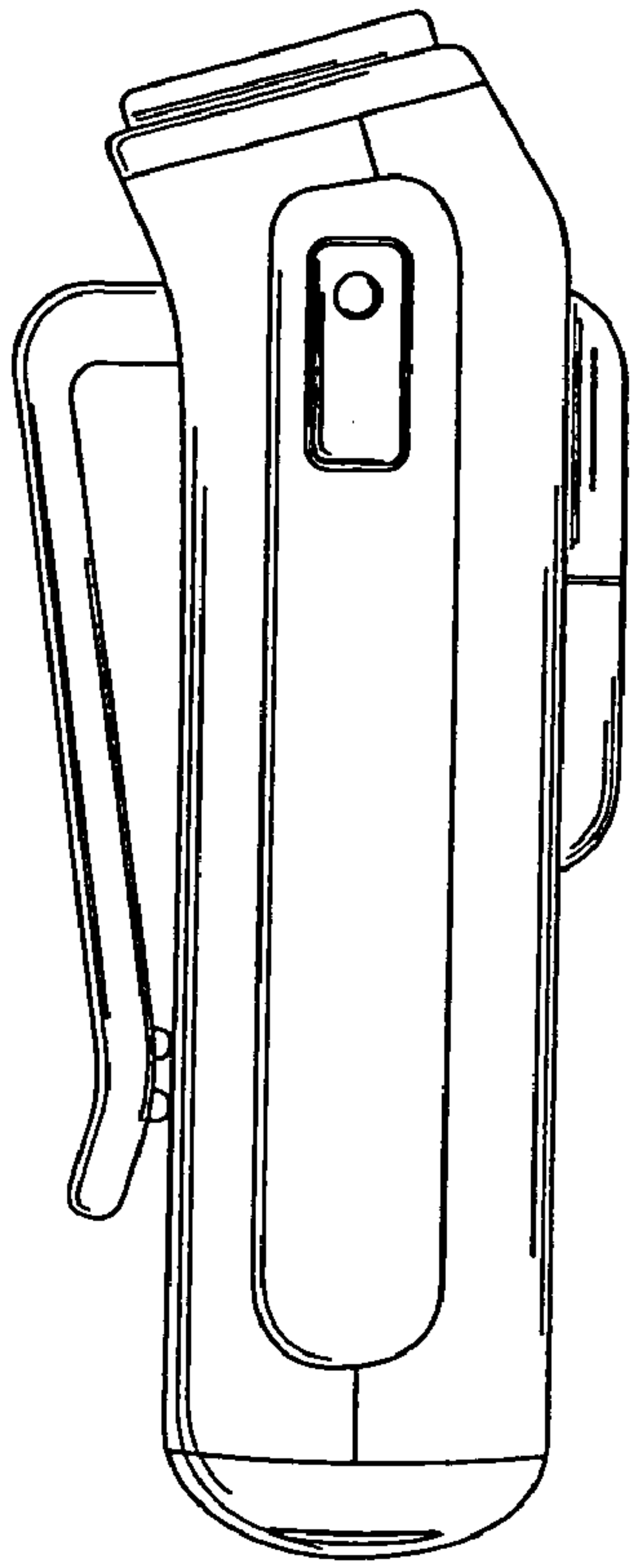


FIG. 3

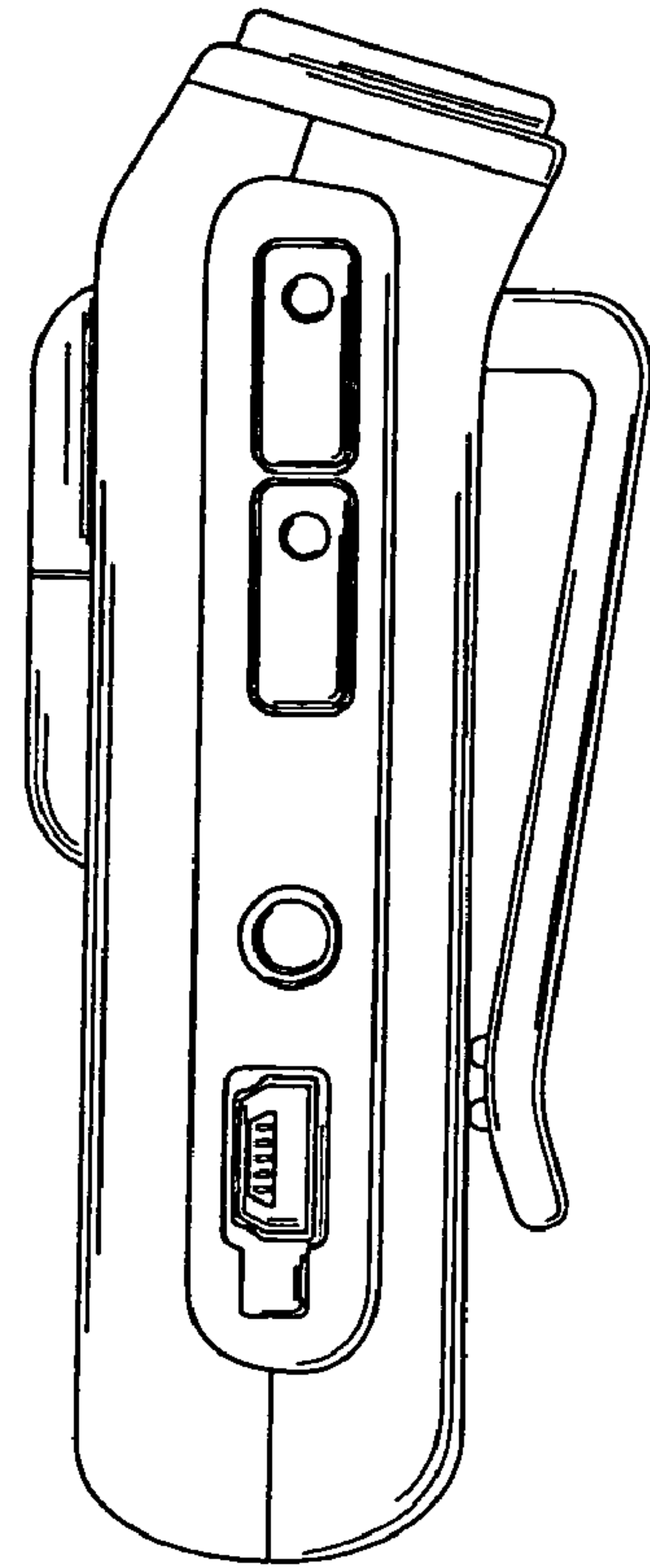


FIG. 4

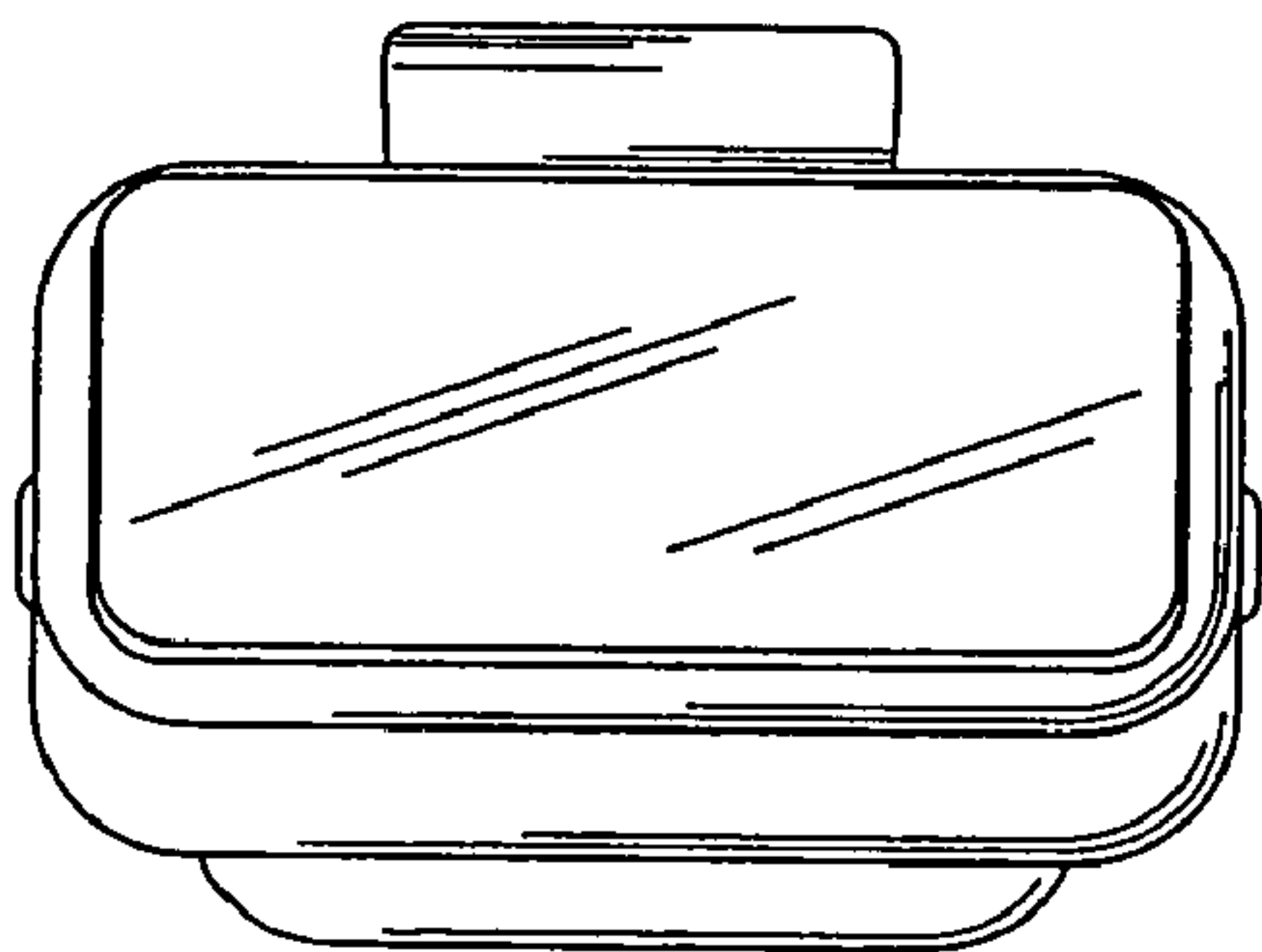


FIG. 5

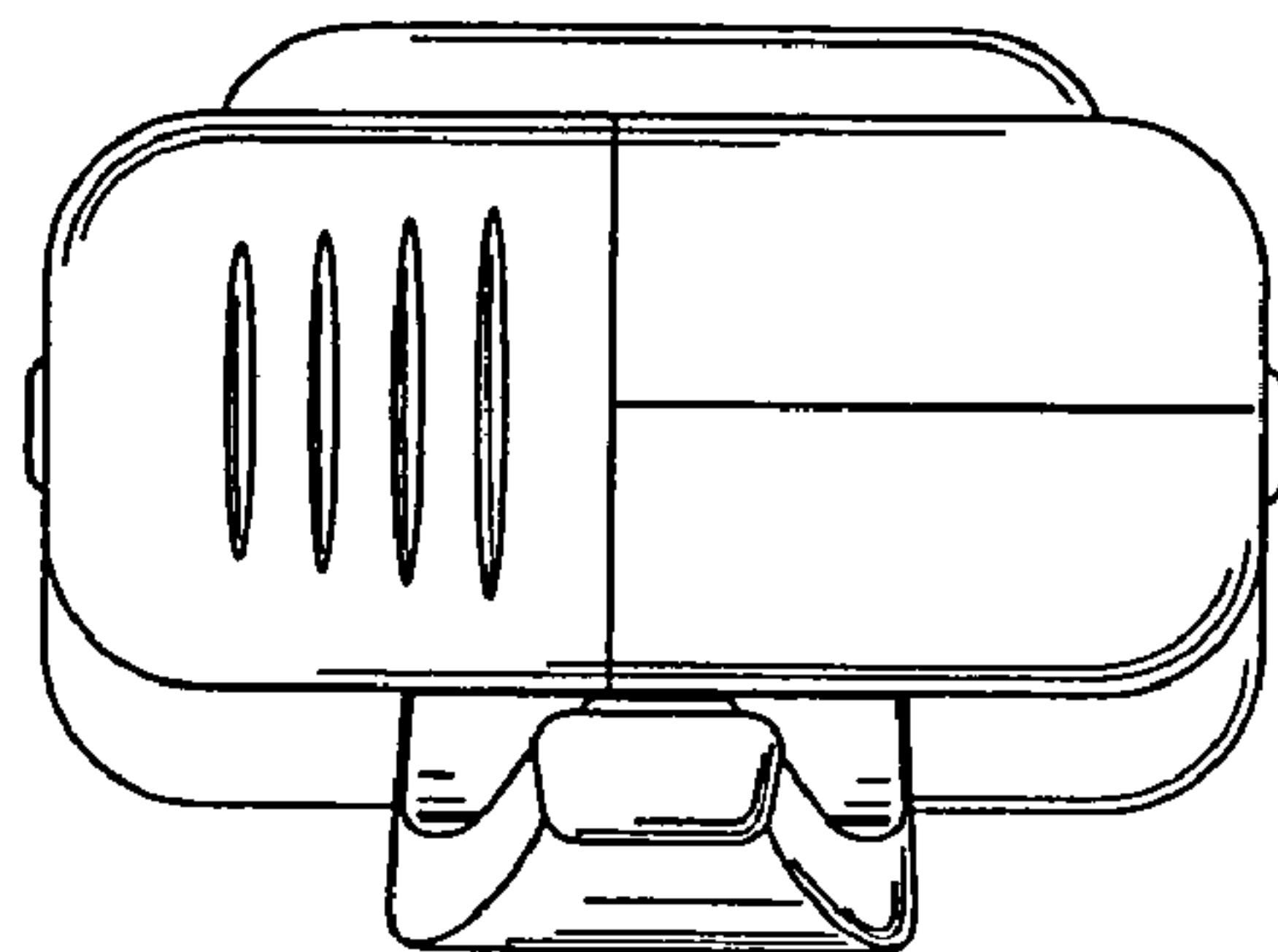


FIG. 6

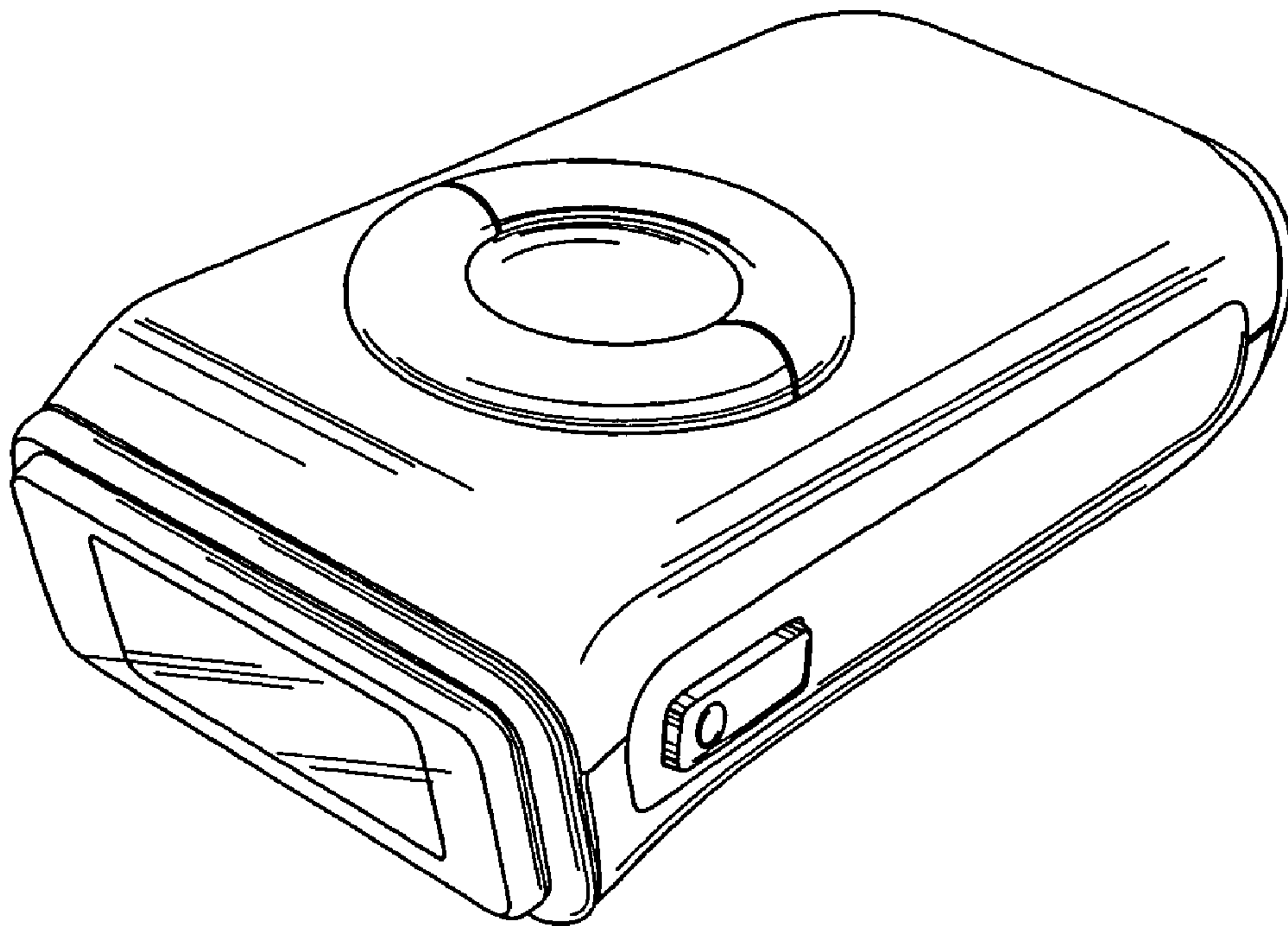


FIG. 7