

US00D549685S

(12) **United States Design Patent**
Marquez

(10) **Patent No.:** **US D549,685 S**

(45) **Date of Patent:** **** Aug. 28, 2007**

(54) **VOICE INTERCOM UNIT**

D525,962 S * 8/2006 Elson D14/149
D534,151 S * 12/2006 Marquez D14/158

(75) Inventor: **Lacides Marquez**, Re Nuenen (NL)

* cited by examiner

(73) Assignee: **Robert Bosch GmbH**, Stuttgart (DE)

Primary Examiner—Cathron C. Brooks

Assistant Examiner—Austin Murphy

(**) Term: **14 Years**

(74) *Attorney, Agent, or Firm*—Michael J. Striker

(21) Appl. No.: **29/259,198**

(57) **CLAIM**

(22) Filed: **May 4, 2006**

The ornamental design for a voice intercom unit, as shown and described.

(30) **Foreign Application Priority Data**

Nov. 11, 2005 (EM) 000430327

DESCRIPTION

(51) **LOC (8) Cl.** **14-03**

FIG. 1 is front perspective view of a voice intercom unit showing my new design;

(52) **U.S. Cl.** **D14/159**

FIG. 2 is a rear perspective view thereof;

(58) **Field of Classification Search** D14/162,

FIG. 3 is a top view thereof;

D14/159, 130, 158, 142; D13/177; 713/182;
455/575.2; 379/176, 167.14, 167.05, 156,
379/155; 348/156; 340/326

FIG. 4 is a bottom view thereof;

See application file for complete search history.

FIG. 5 is a side view thereof which is a mirror image of the opposite side thereof;

(56) **References Cited**

FIG. 6 is a front view thereof; and,

U.S. PATENT DOCUMENTS

FIG. 7 is a rear view thereof.

D485,825 S * 1/2004 Yoneda D14/215

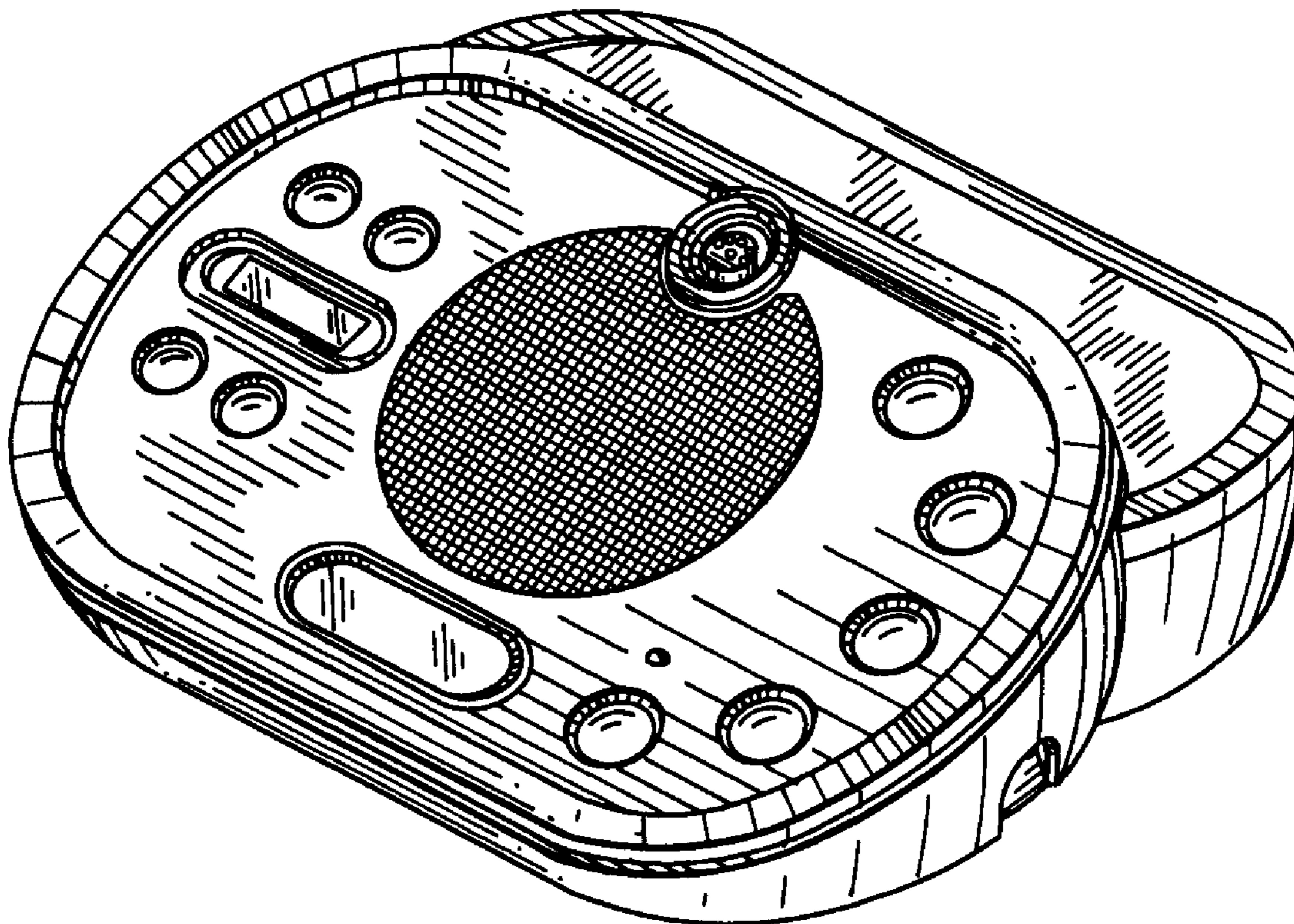
The broken lines shown in the drawings form no part of the claimed design.

D500,484 S * 1/2005 Deguchi D14/167

D515,058 S * 2/2006 Boyd D14/138

D524,789 S * 7/2006 Beasley et al. D14/149

1 Claim, 3 Drawing Sheets



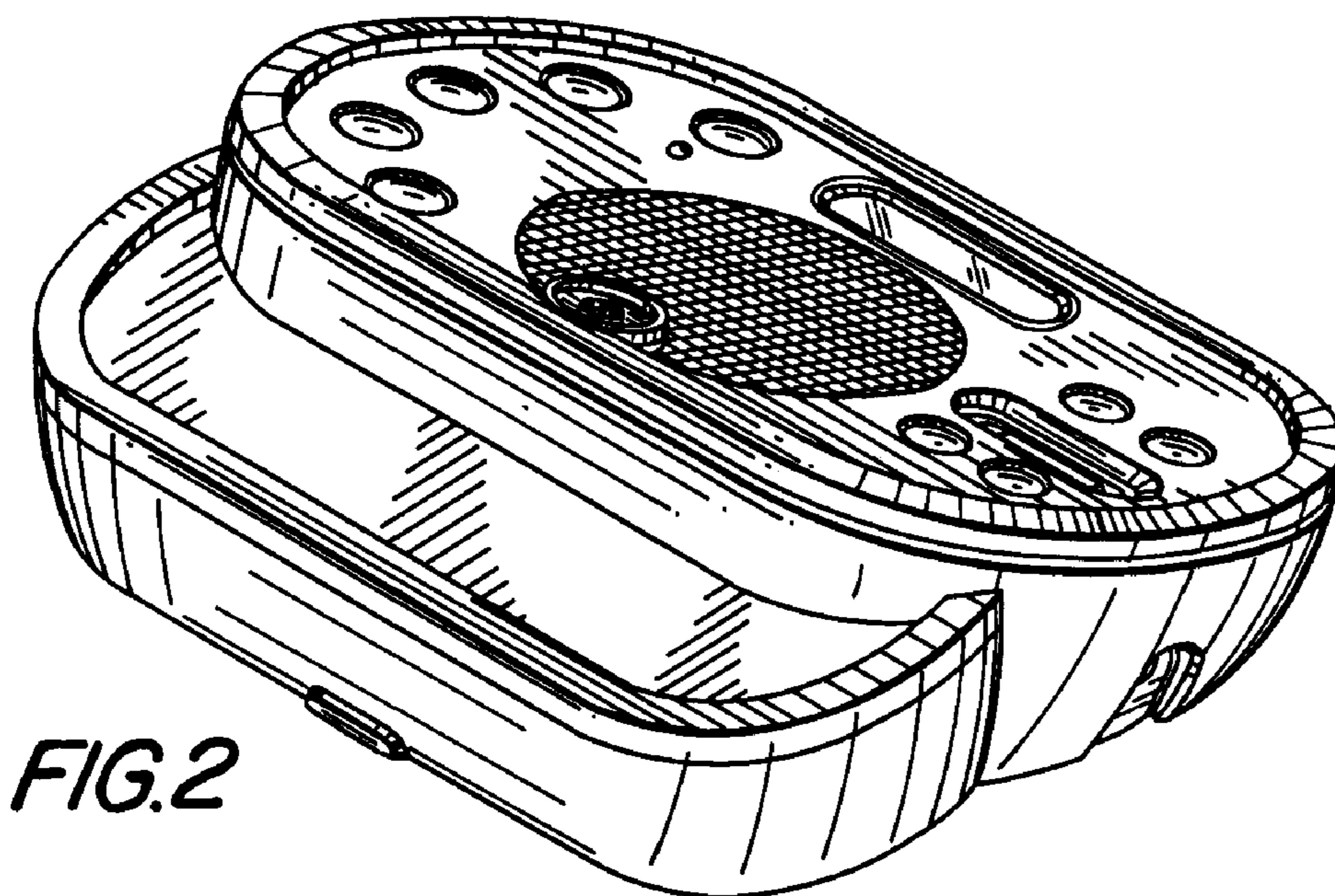
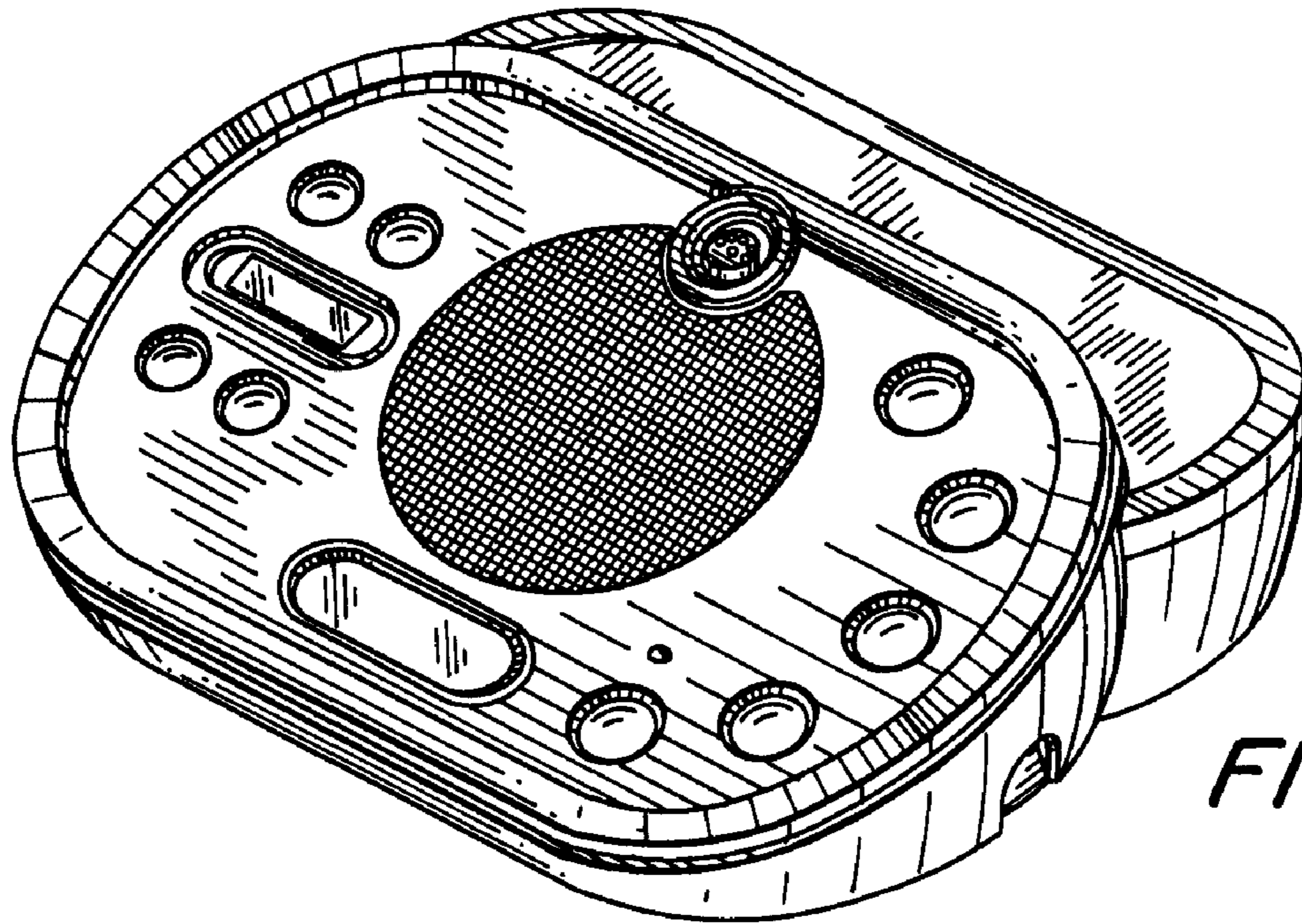


FIG. 3

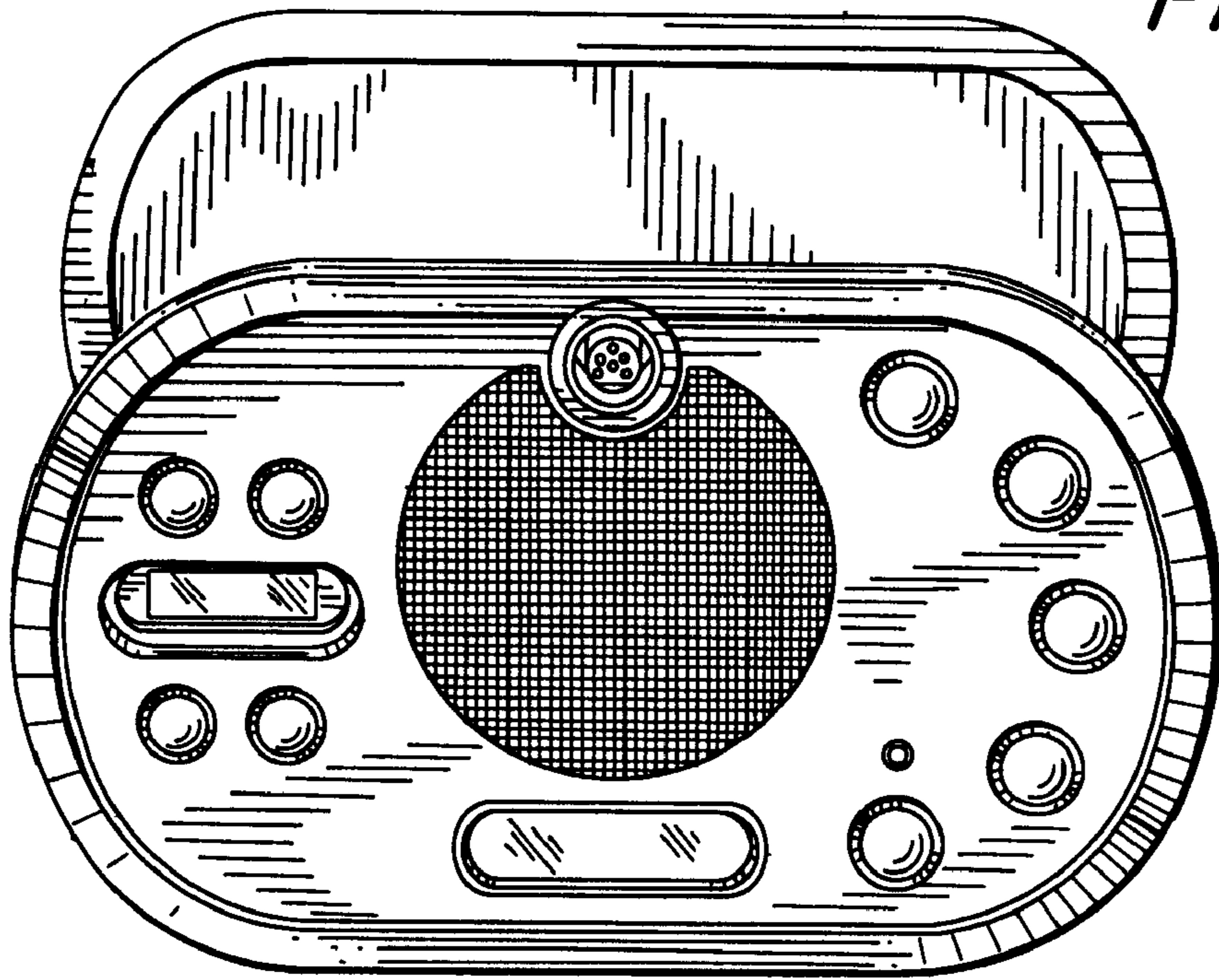


FIG. 4

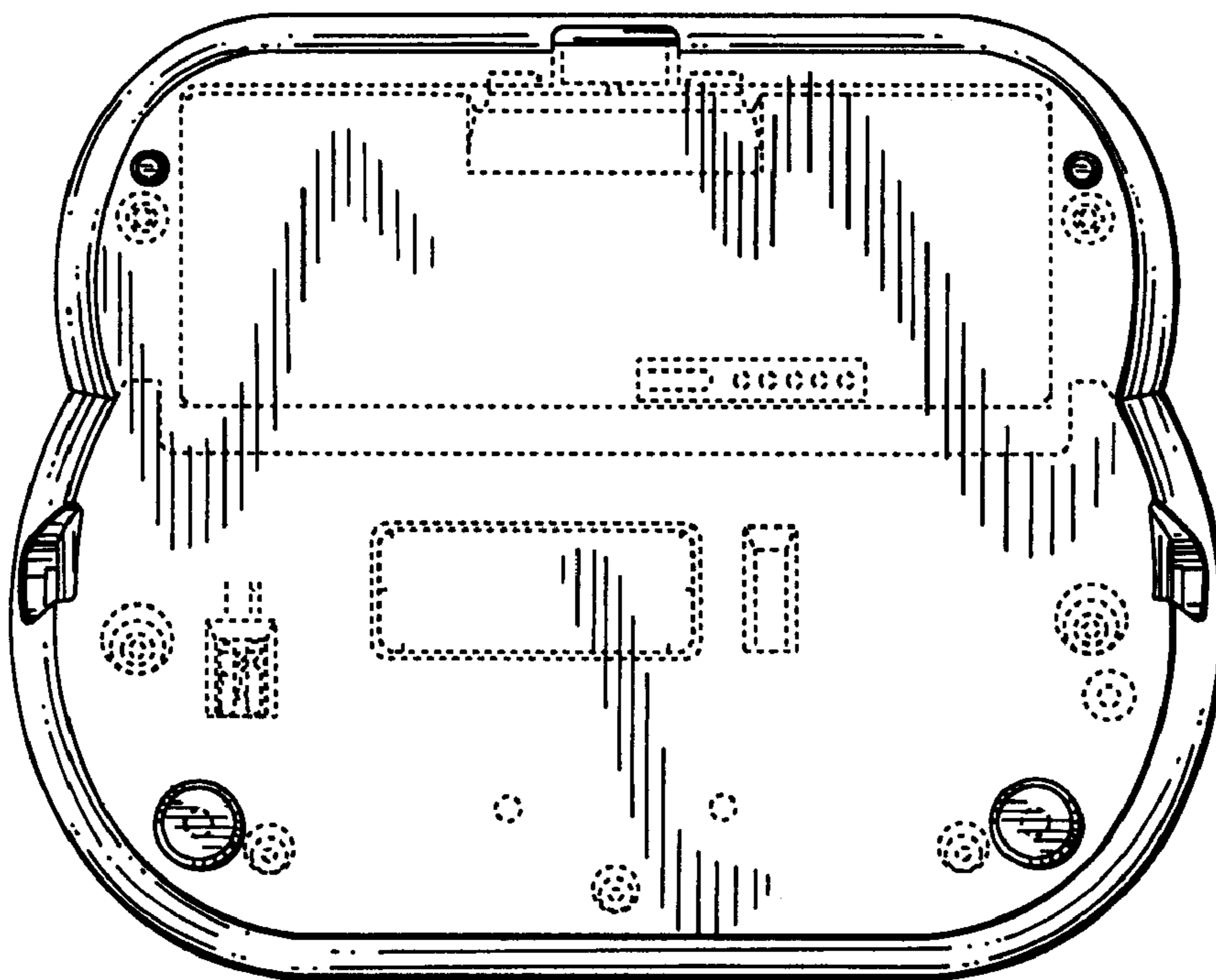


FIG.5

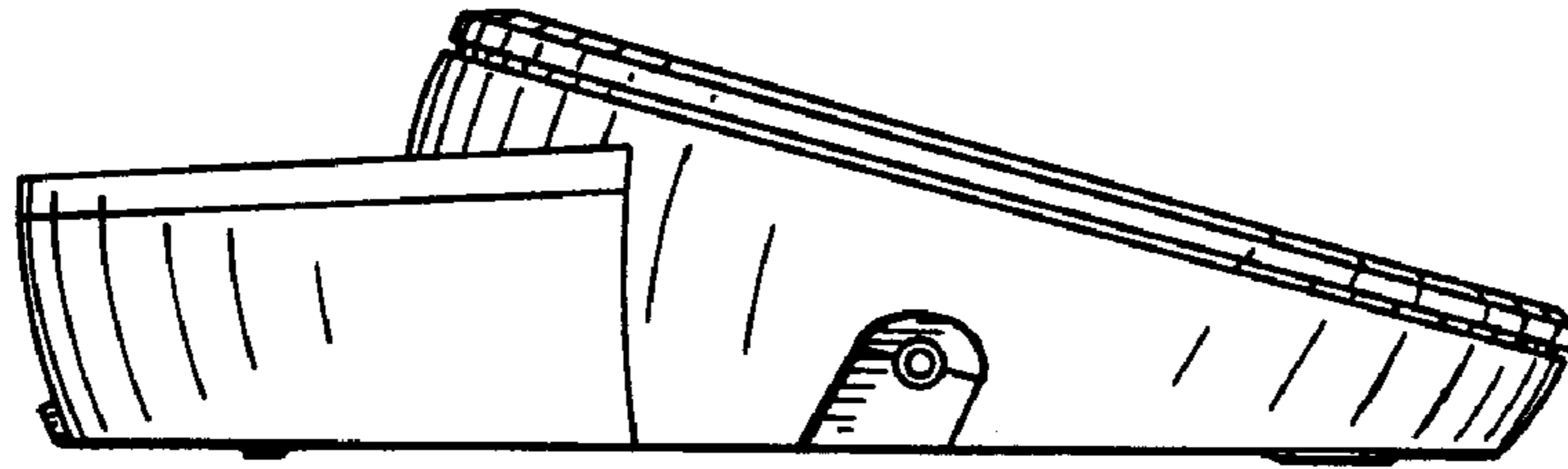


FIG.6

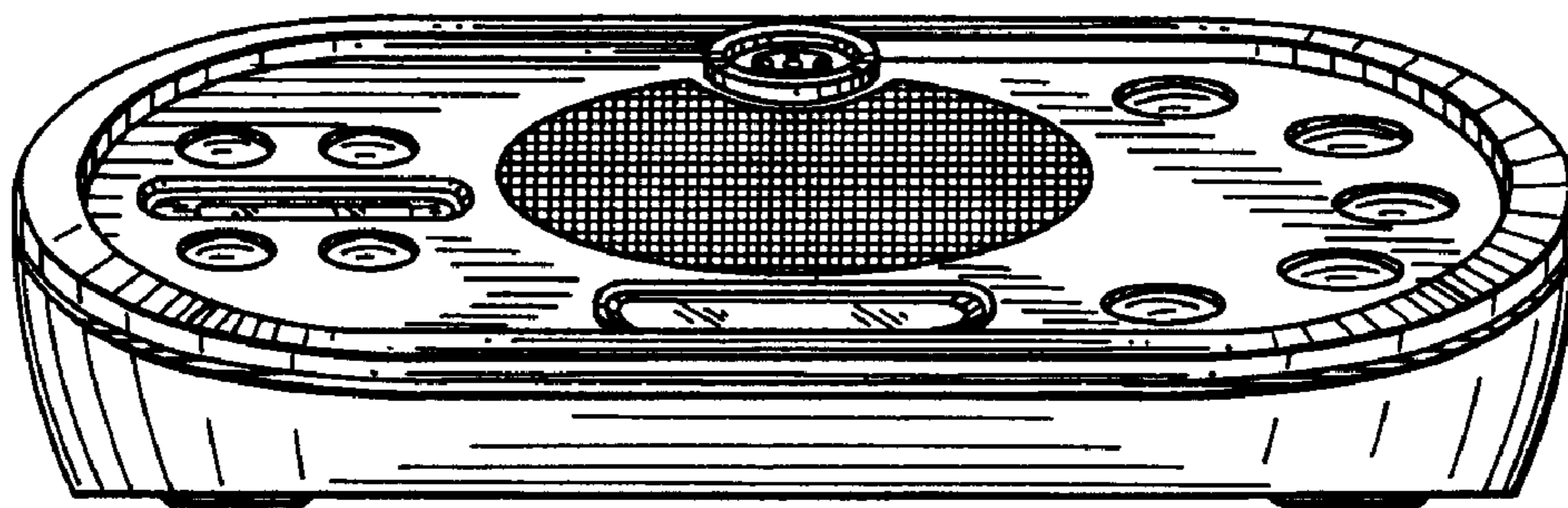


FIG.7

