



US00D549684S

(12) **United States Design Patent**  
**Lee**

(10) **Patent No.:** **US D549,684 S**

(45) **Date of Patent:** **\*\* Aug. 28, 2007**

(54) **FM TRANSMITTER**

D534,149 S \* 12/2006 Griffin ..... D14/155  
D535,972 S \* 1/2007 Griffin ..... D14/155

(75) Inventor: **Chang Ryul Lee, Yongin (KR)**

\* cited by examiner

(73) Assignee: **Digiana Co., Ltd., Seoul (KR)**

*Primary Examiner*—Cathron C. Brooks

(\*\*) Term: **14 Years**

*Assistant Examiner*—Austin Murphy

(21) Appl. No.: **29/268,896**

(74) *Attorney, Agent, or Firm*—Ladas & Parry

(22) Filed: **Nov. 14, 2006**

(57) **CLAIM**

(30) **Foreign Application Priority Data**

The ornamental design for FM transmitter, as shown and described.

Oct. 25, 2006 (KR) ..... 30-2006-0042677

**DESCRIPTION**

(51) **LOC (8) Cl.** ..... **14-03**

FIG. 1 is a perspective view of FM transmitter according to my new design;

(52) **U.S. Cl.** ..... **D14/155**

FIG. 2 is a front view of FM transmitter according to my new design;

(58) **Field of Classification Search** ..... D14/358,  
D14/299, 248, 240, 218, 191, 188, 162, 155,  
D14/137, 226; D13/168, 110, 144; D10/121,  
D10/104, 106; 439/668; 455/353, 351

FIG. 3 is a rear view of FM transmitter according to my new design;

See application file for complete search history.

FIG. 4 is a left side view of FM transmitter according to my new design;

(56) **References Cited**

FIG. 5 is a right side view of FM transmitter according to my new design;

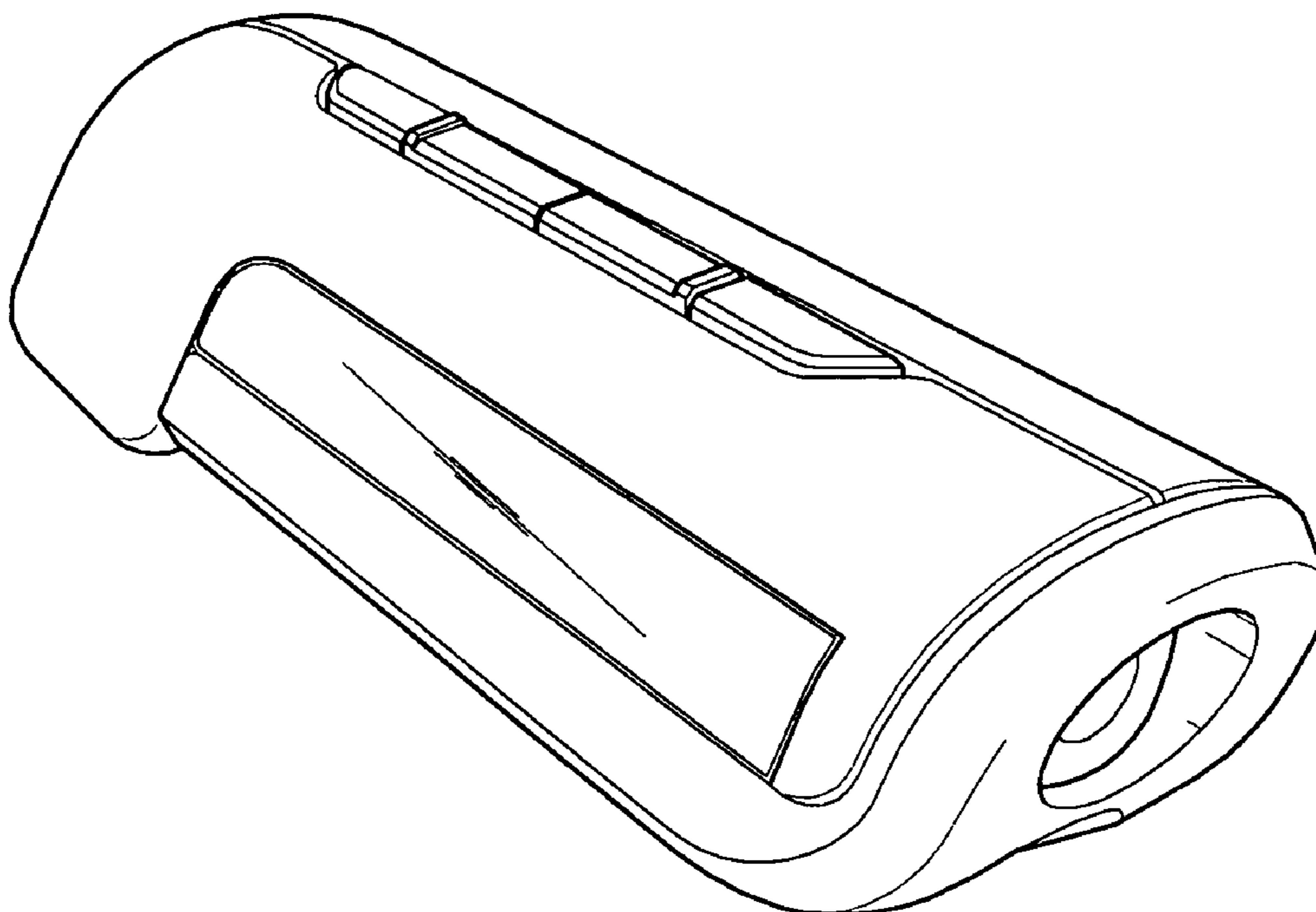
**U.S. PATENT DOCUMENTS**

D415,442 S \* 10/1999 Ikeda ..... D10/106  
D415,706 S \* 10/1999 Ikeda ..... D10/106  
D417,165 S \* 11/1999 Takeda et al. .... D10/106  
D426,223 S \* 6/2000 Nomura ..... D14/167  
D506,209 S \* 6/2005 Leong ..... D14/496  
D507,261 S \* 7/2005 Griffin ..... D14/226  
D511,770 S \* 11/2005 Chung ..... D14/240

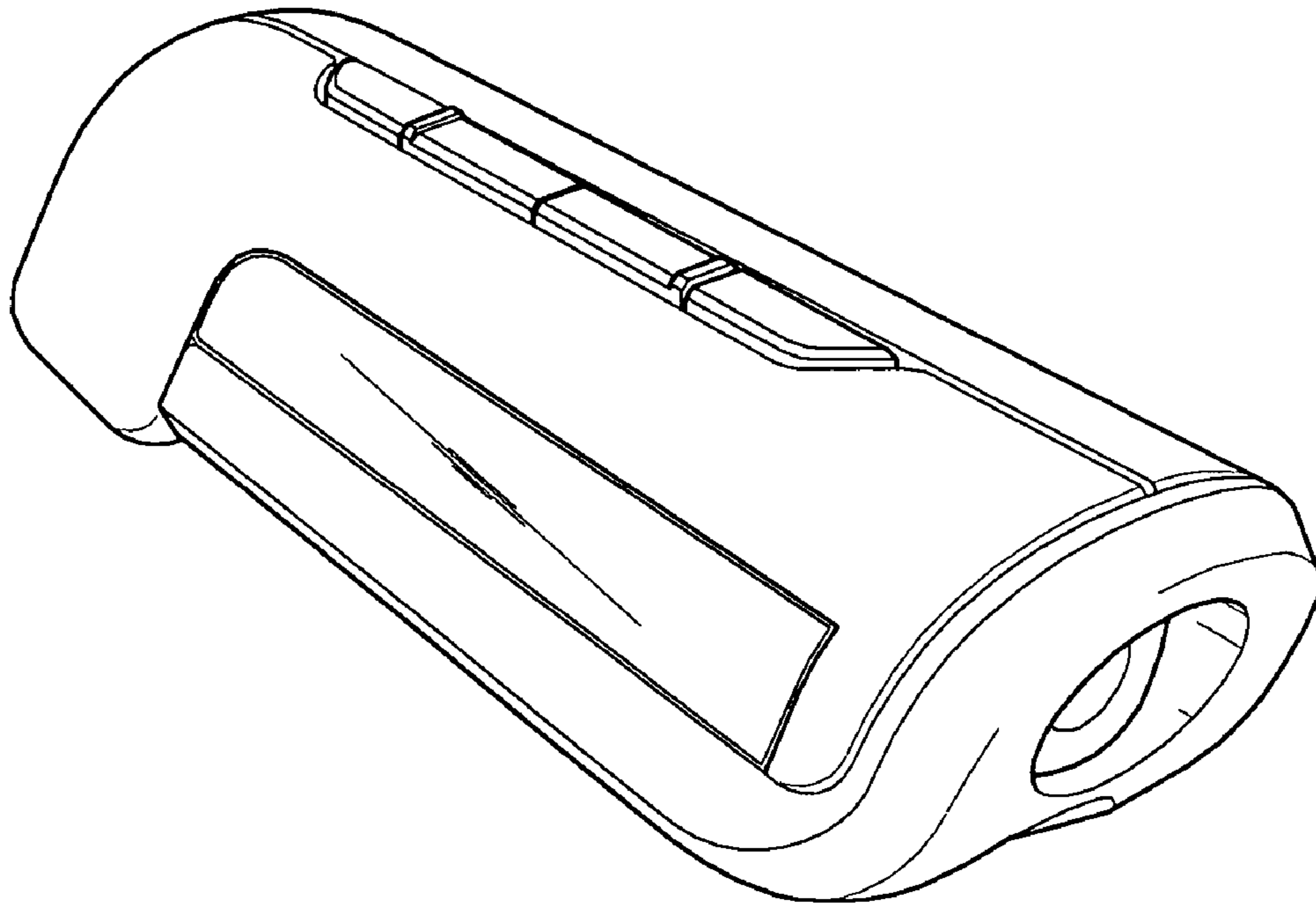
FIG. 6 is a top plan view of FM transmitter according to my new design; and,

FIG. 7 is a bottom view of FM transmitter according to my new design.

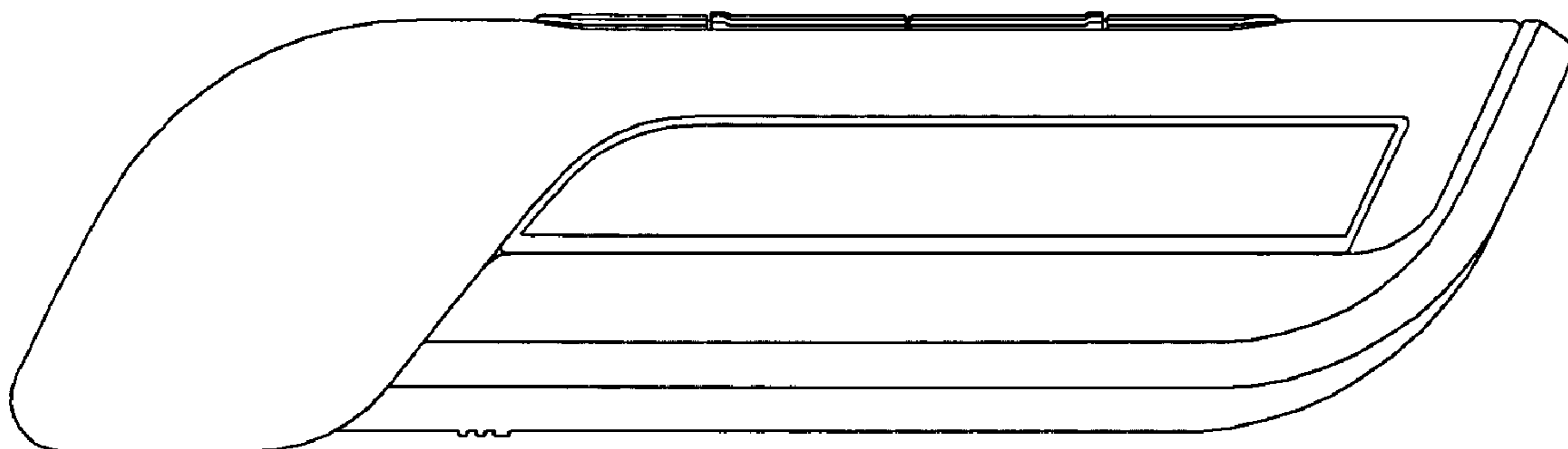
**1 Claim, 4 Drawing Sheets**



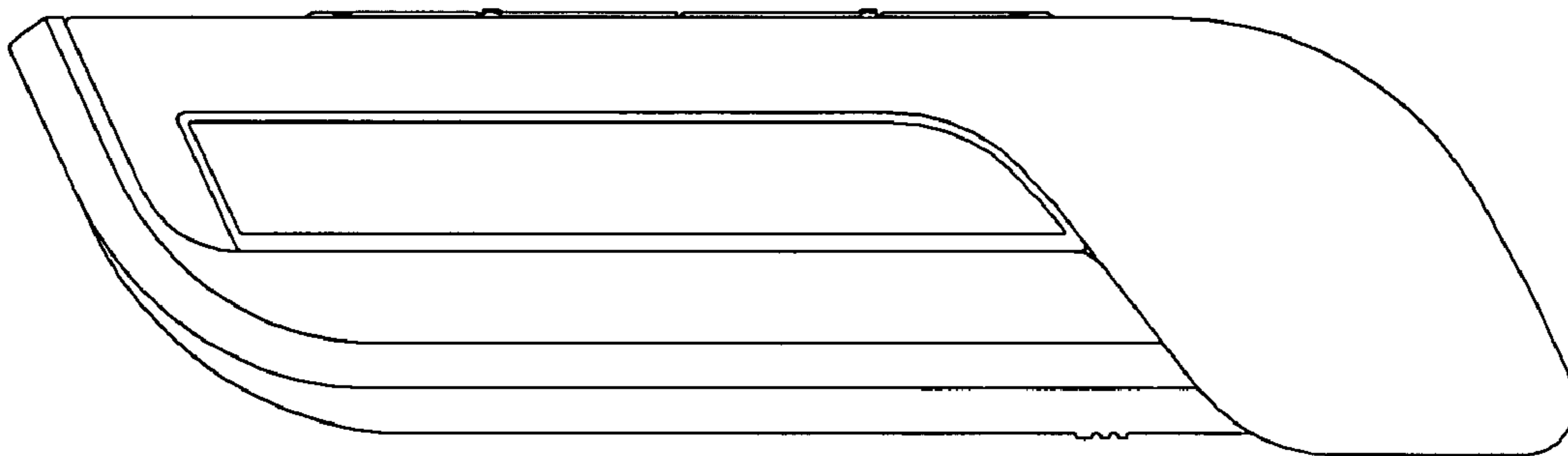
**Fig. 1**



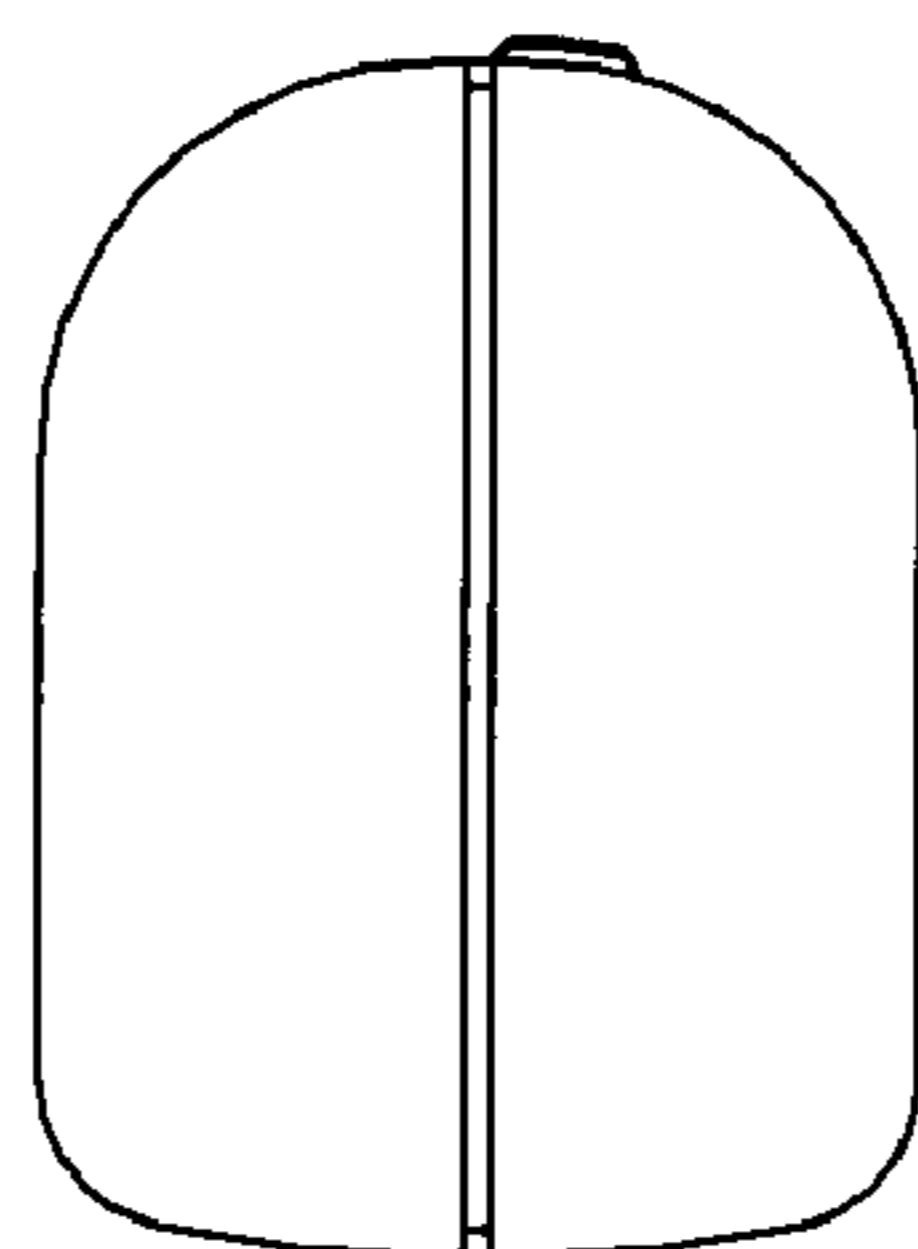
**Fig. 2**



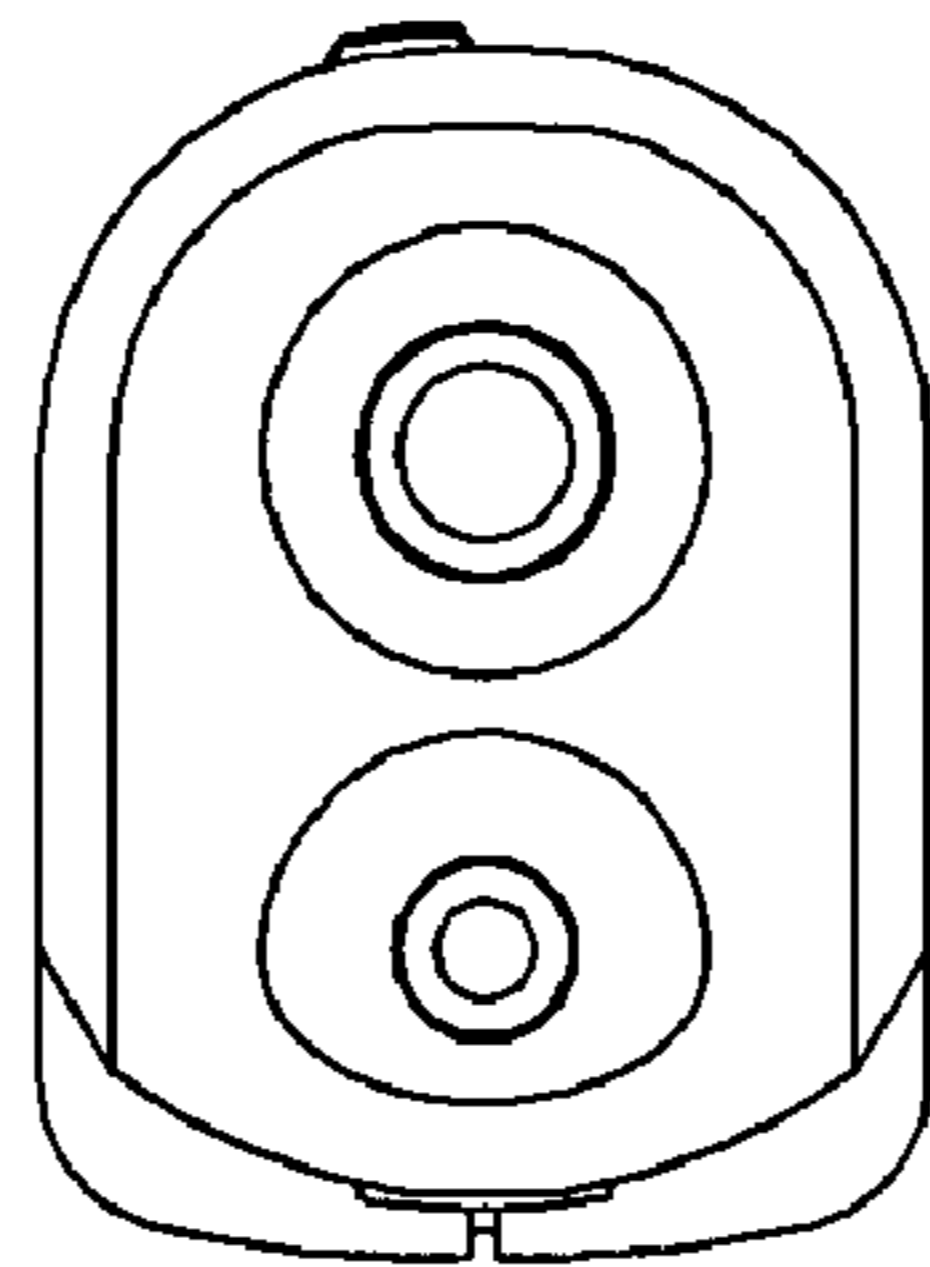
**Fig. 3**



**Fig. 4**



**Fig. 5**



**Fig. 6**

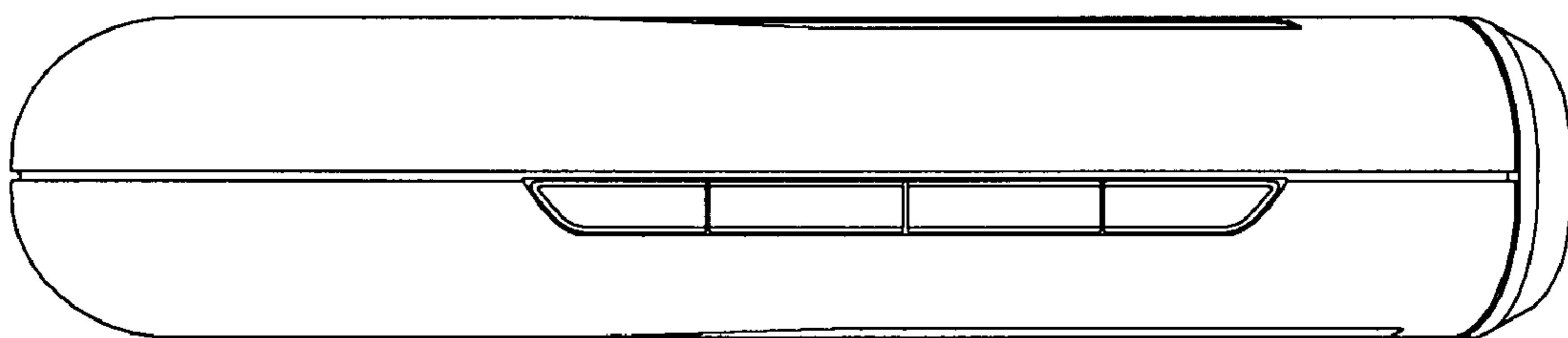


Fig. 7

