

US00D549675S

(12) **United States Design Patent**
Yoon et al.

(10) **Patent No.:** **US D549,675 S**

(45) **Date of Patent:** **** Aug. 28, 2007**

(54) **CENTER UNIT FOR HOME THEATRE SYSTEM**

(75) Inventors: **Ki-Hyun Yoon**, Singapore (SG); **Rod White**, Singapore (SG)

(73) Assignee: **Koninklijke Philips Electronics N.V.**, Eindhoven (NL)

(**) Term: **14 Years**

(21) Appl. No.: **29/245,333**

(22) Filed: **Dec. 21, 2005**

(30) **Foreign Application Priority Data**

Oct. 7, 2005 (EM) 000411947-0001

(51) **LOC (8) Cl.** **14-03**

(52) **U.S. Cl.** **D14/126; D14/129**

(58) **Field of Classification Search** D14/125-134, D14/239, 371, 136, 374-377; 312/7.2; 348/836, 348/838, 180, 184, 325, 739; 341/12; 248/917-924, 248/465; 345/104, 133, 156, 168, 87, 173; 720/605, 669, 600, 655; 369/99, 197; 455/344-347
See application file for complete search history.

(56) **References Cited**

U.S. PATENT DOCUMENTS

D403,670 S * 1/1999 Liao D14/375

D411,180 S * 6/1999 Vossoughi et al. D14/337

D502,152 S * 2/2005 Peng D14/126

D529,004 S * 9/2006 Flagiello D14/126

D537,422 S * 2/2007 Conway D14/126

D540,276 S * 4/2007 Naruo D14/126

* cited by examiner

Primary Examiner—Raphael Barkai

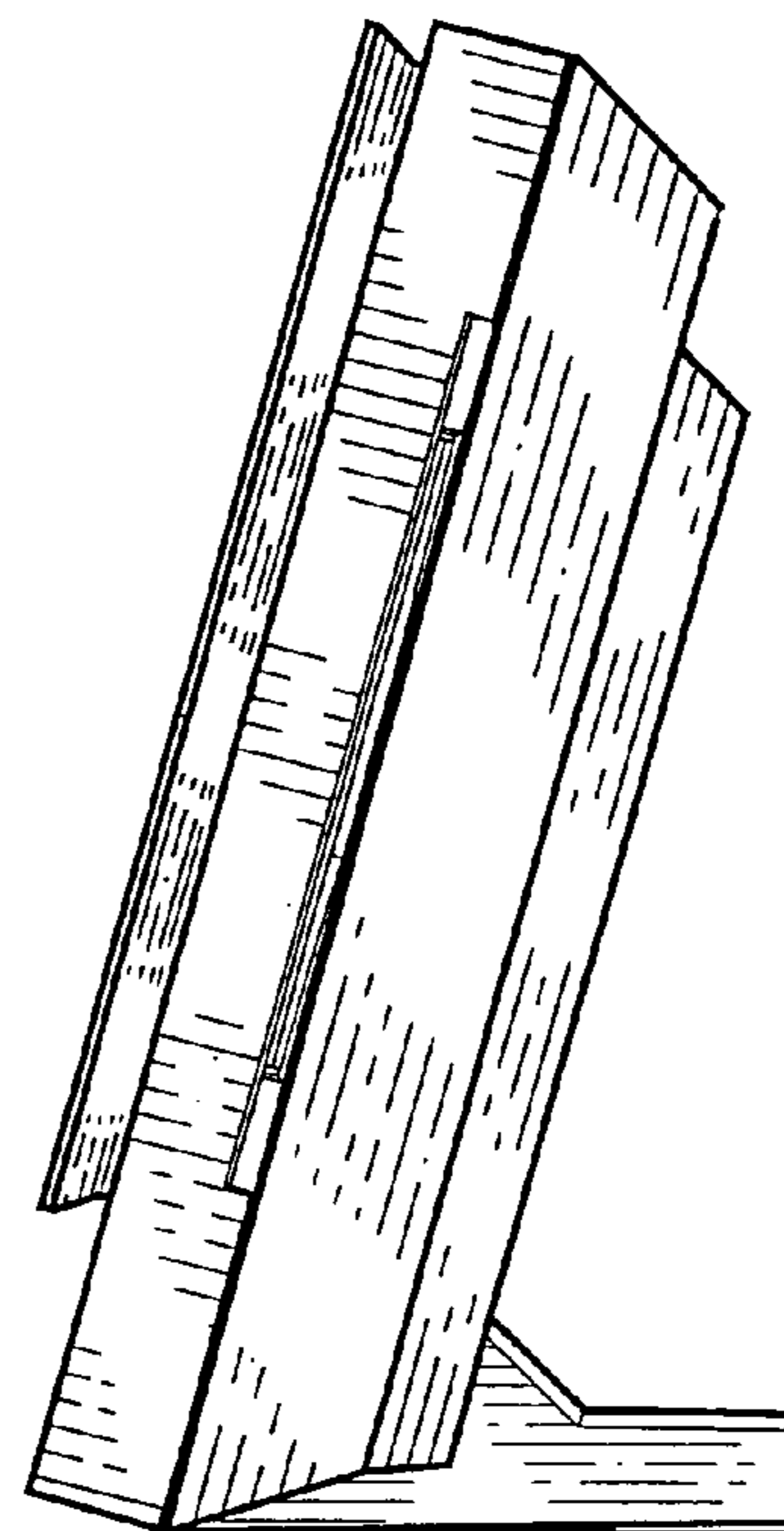
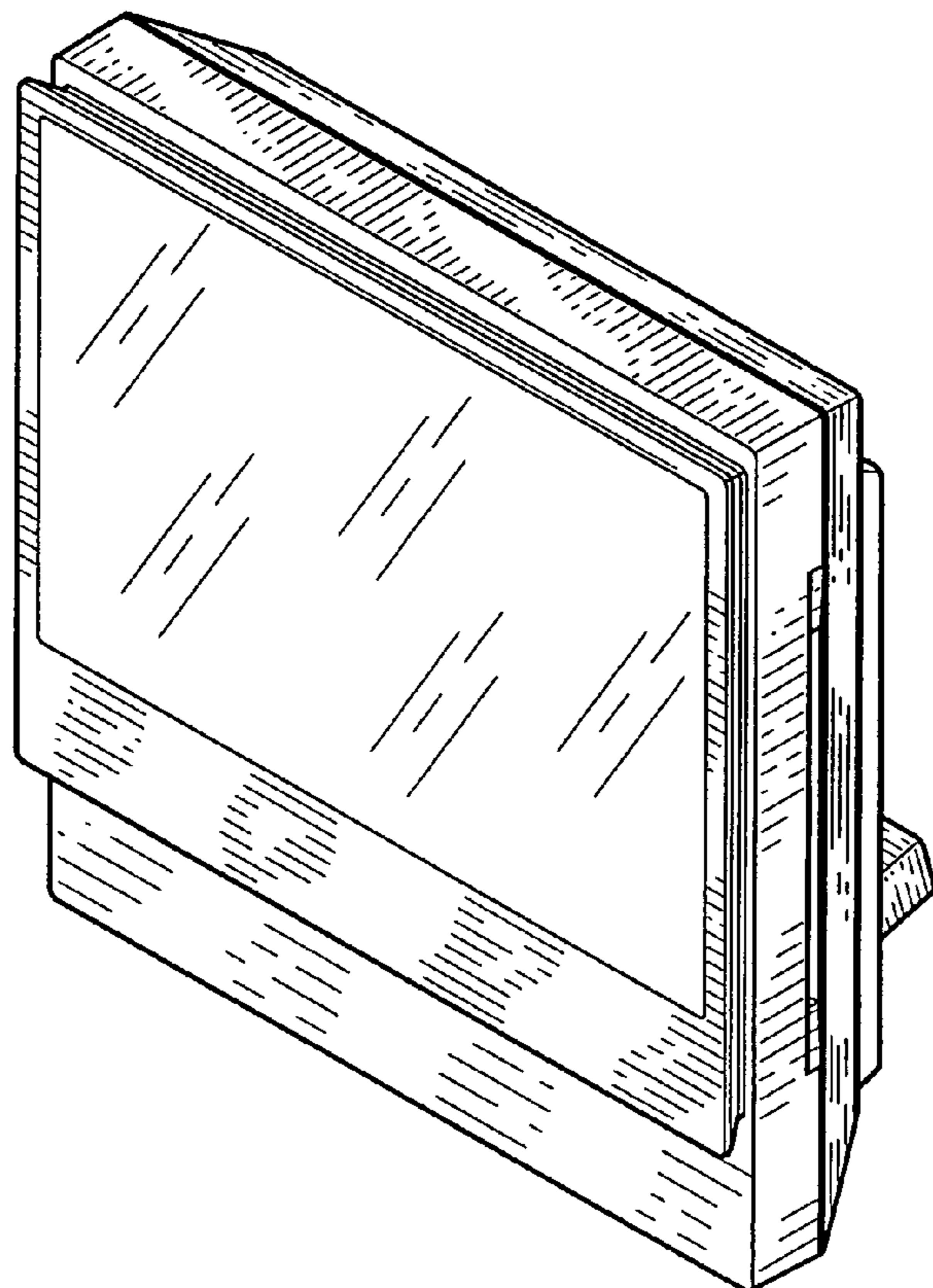
(57) **CLAIM**

The ornamental design for a center unit for home theatre system, as shown.

DESCRIPTION

FIG. 1 is a perspective view showing my design; FIG. 2 is a front elevational view thereof; FIG. 3 is a rear elevational view thereof; FIG. 4 is a left side elevational view thereof; FIG. 5 is a right side elevational view thereof; FIG. 6 is a top plan view thereof; and, FIG. 7 is a bottom plan view thereof.

1 Claim, 4 Drawing Sheets



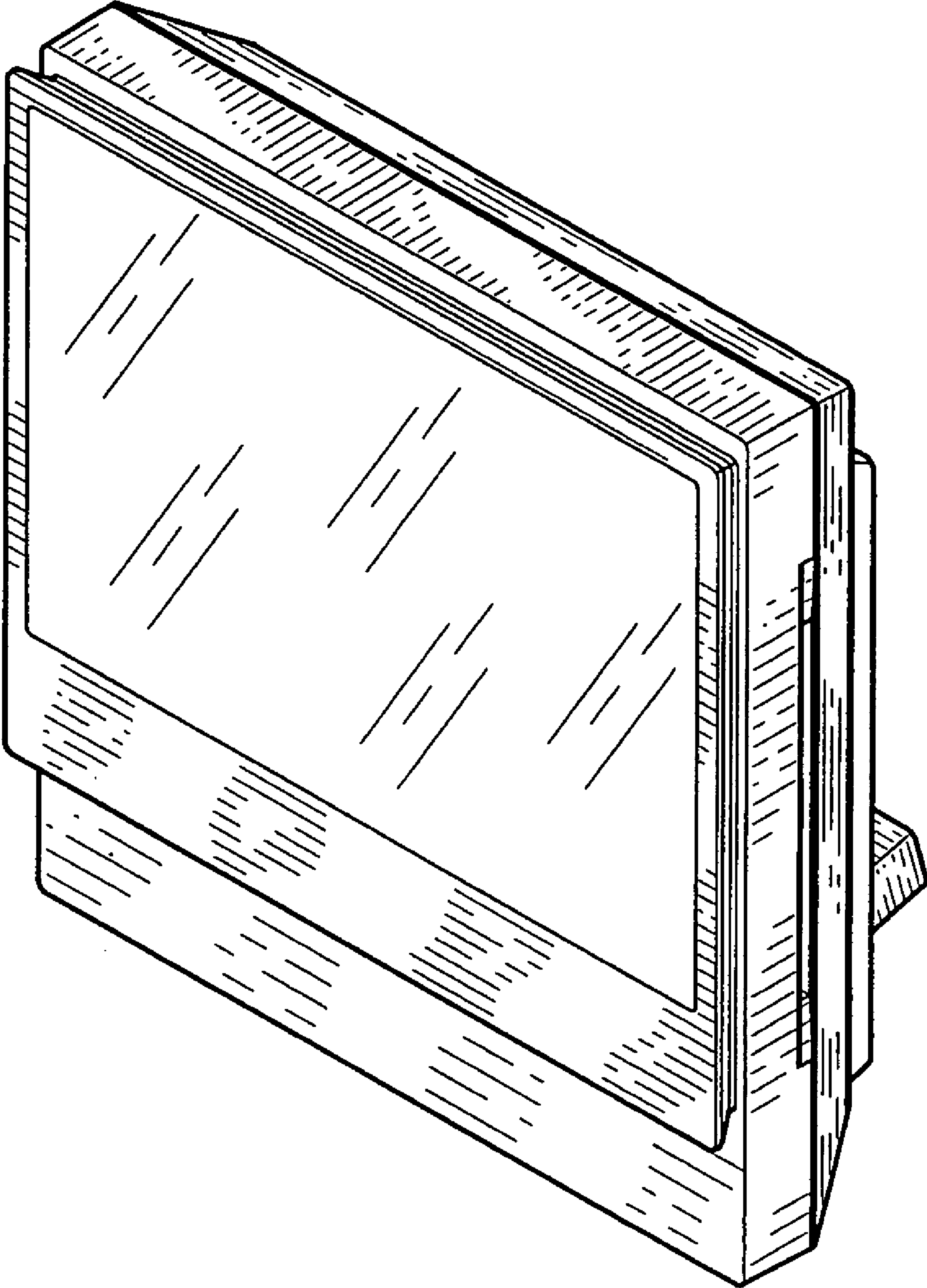


FIG. 1

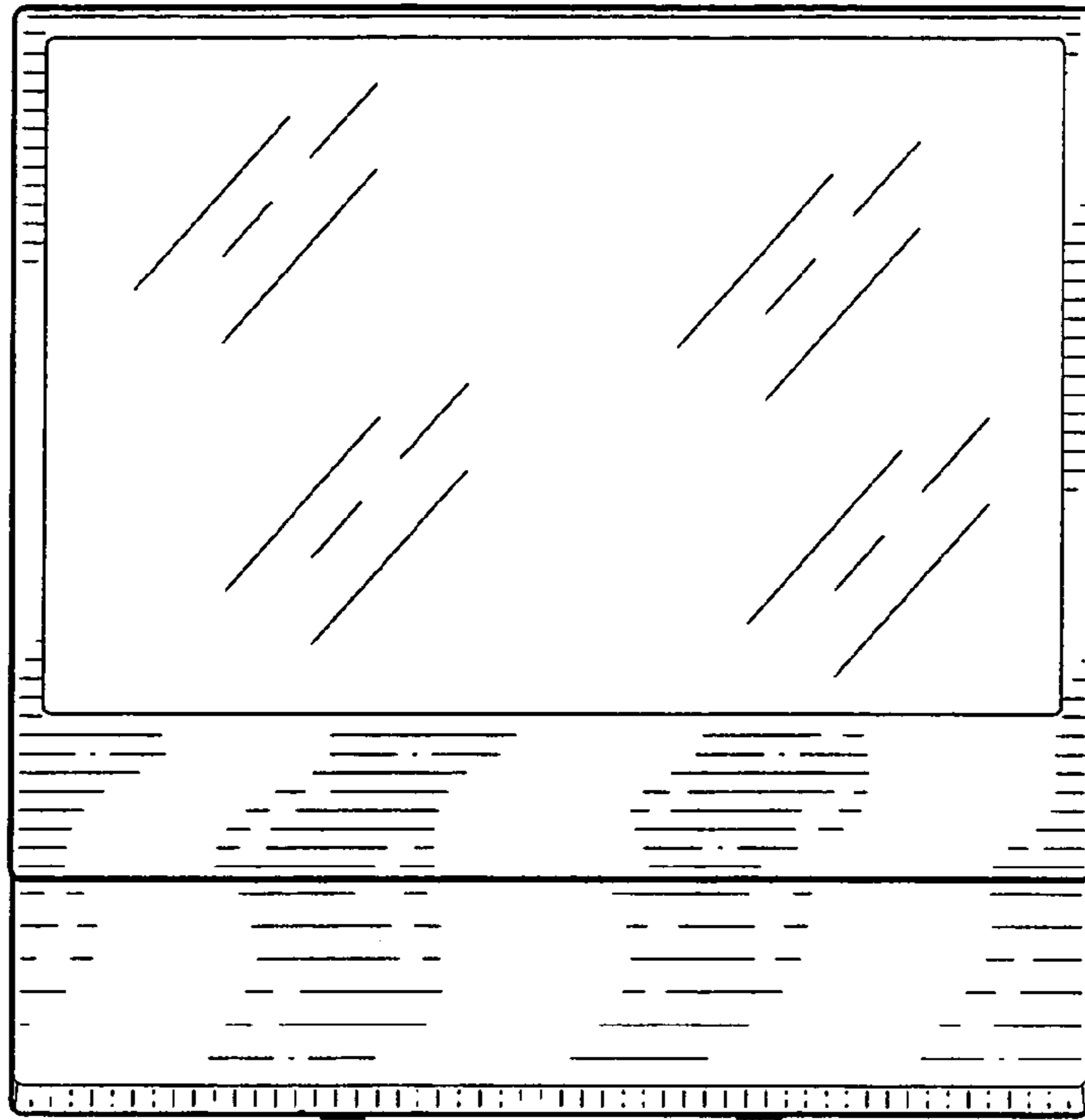


FIG. 2

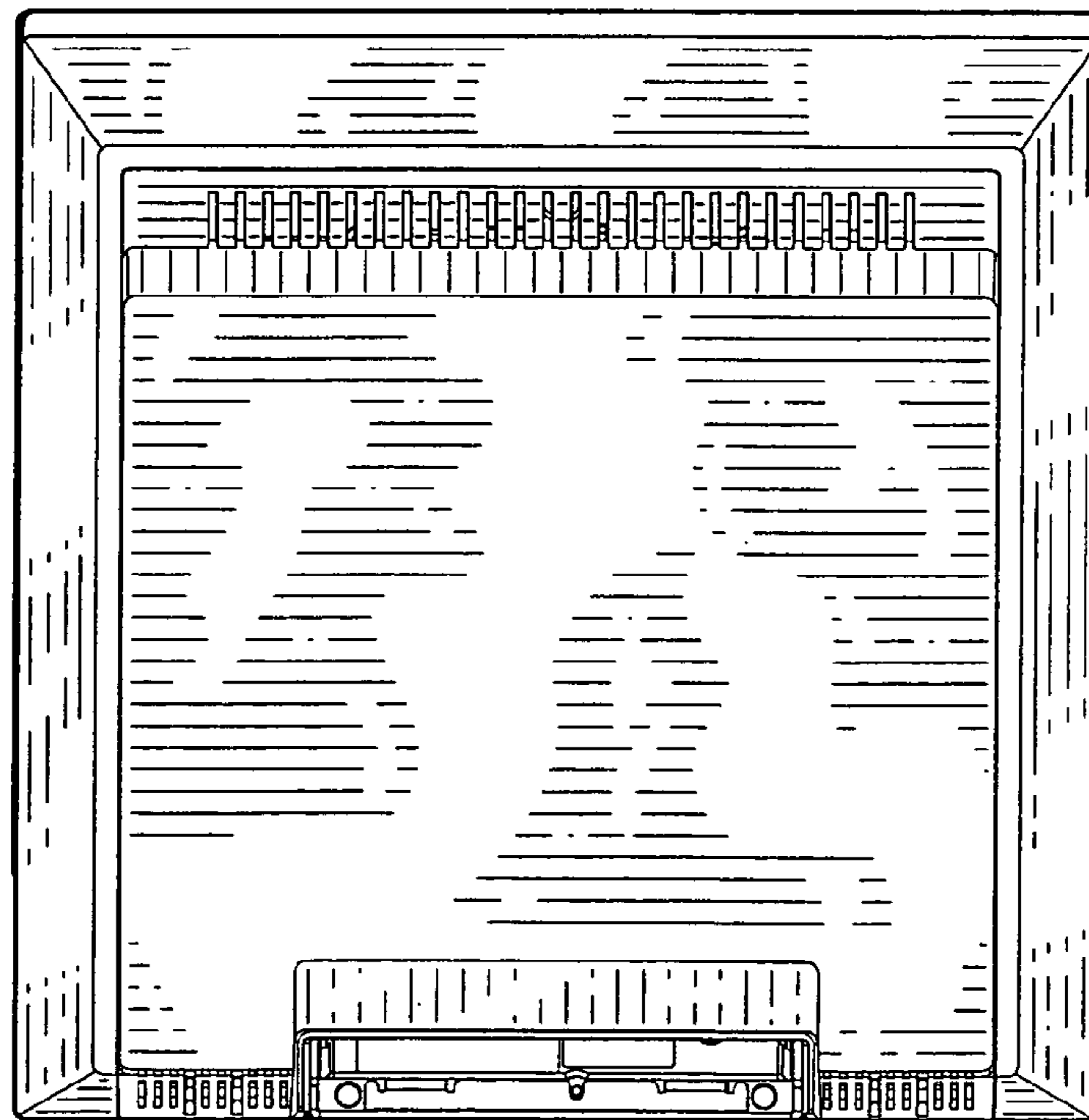


FIG. 3

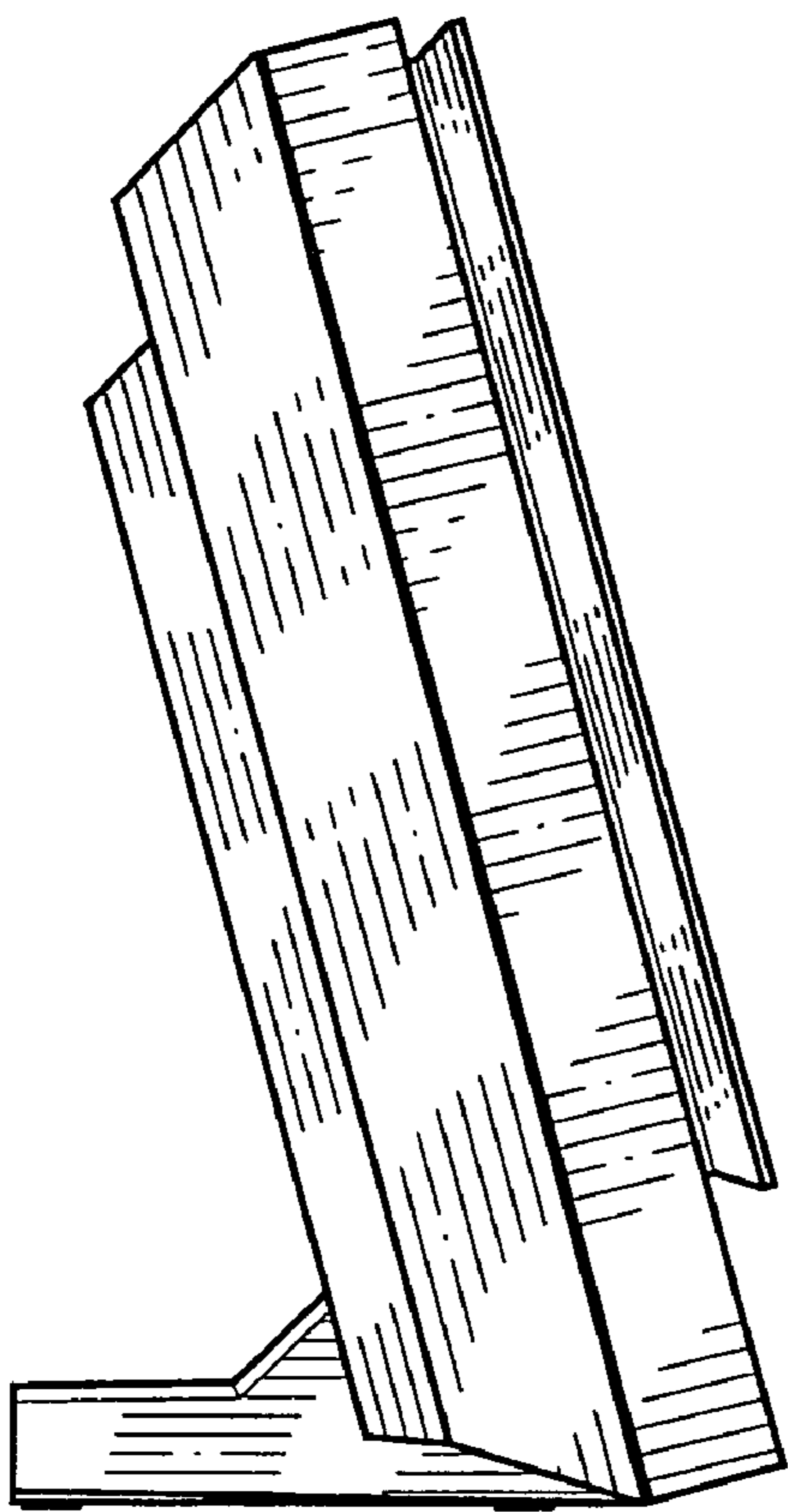


FIG. 4

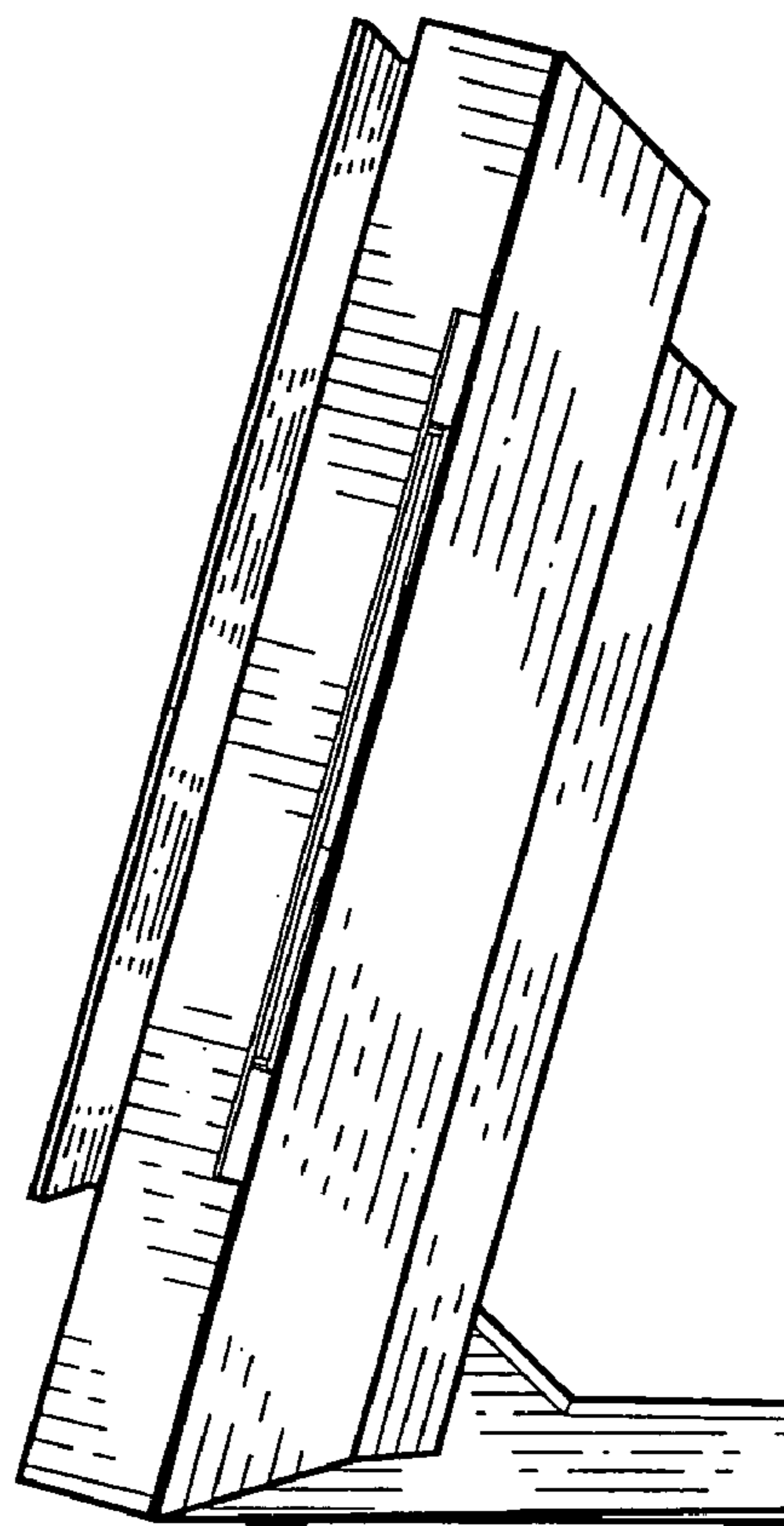


FIG. 5

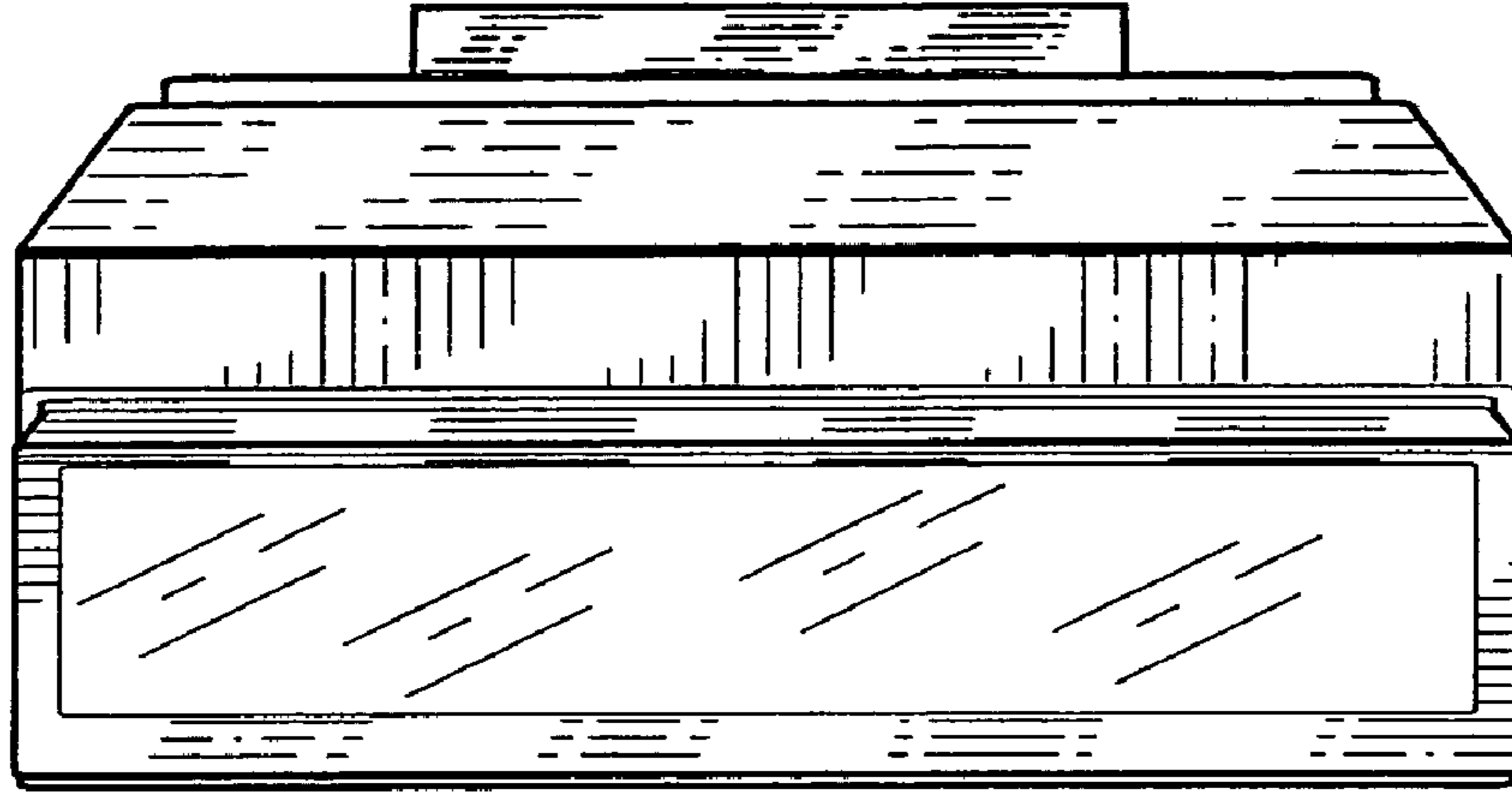


FIG. 6

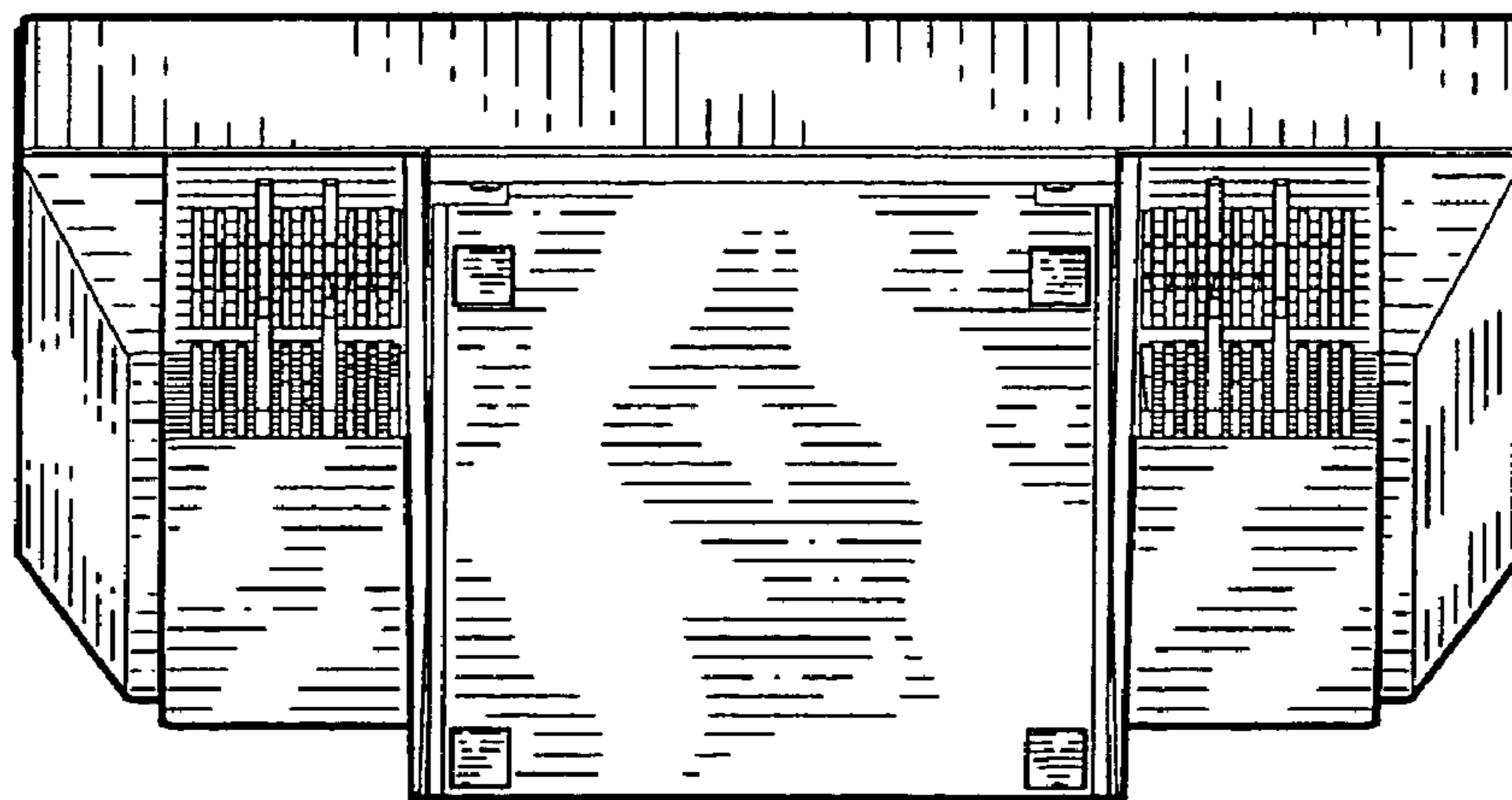


FIG. 7