



US00D549672S

(12) **United States Design Patent**  
**Zuo et al.**

(10) **Patent No.:** **US D549,672 S**

(45) **Date of Patent:** **\*\* Aug. 28, 2007**

(54) **TELEVISION**

(75) Inventors: **Hui Zuo**, Shanghai (CN); **Chaucer Chiu**, Taipei (TW); **Jenny You**, Shanghai (CN)

(73) Assignee: **Inventec Corporation**, Taipei (TW)

(\*\*) Term: **14 Years**

(21) Appl. No.: **29/219,230**

(22) Filed: **Dec. 15, 2004**

(51) **LOC (8) Cl.** ..... **14-03**

(52) **U.S. Cl.** ..... **D14/126**

(58) **Field of Classification Search** ..... D14/125-135, D14/239, 379, 371, 374, 375, 396; D13/151, D13/153; 312/7.2; 348/836, 838, 180, 184, 348/325; 341/12; 248/917-924; 345/104, 345/433, 156, 168, 87, 173

See application file for complete search history.

(56) **References Cited**

**U.S. PATENT DOCUMENTS**

- D455,131 S \* 4/2002 Reynaga et al. .... D14/126
- D498,216 S \* 11/2004 Takami et al. .... D14/126
- D515,048 S \* 2/2006 Villalobos et al. .... D14/128
- D517,508 S \* 3/2006 Inaba ..... D14/126
- D519,505 S \* 4/2006 Baek et al. .... D14/375

- D519,506 S \* 4/2006 Jung et al. .... D14/375
- D528,518 S \* 9/2006 Kim ..... D14/126
- D531,146 S \* 10/2006 Lin ..... D14/126

\* cited by examiner

*Primary Examiner*—Raphael Barkai

*Assistant Examiner*—Randall H. Gholson

(74) *Attorney, Agent, or Firm*—Pearl Cohen Zedek Latzer, LLP

(57) **CLAIM**

The ornamental design for a television, as shown and described.

**DESCRIPTION**

FIG. 1 is a perspective view of a television showing our new design;

FIG. 2 is a front elevation view thereof;

FIG. 3 is a rear elevation view thereof;

FIG. 4 is a left side view thereof;

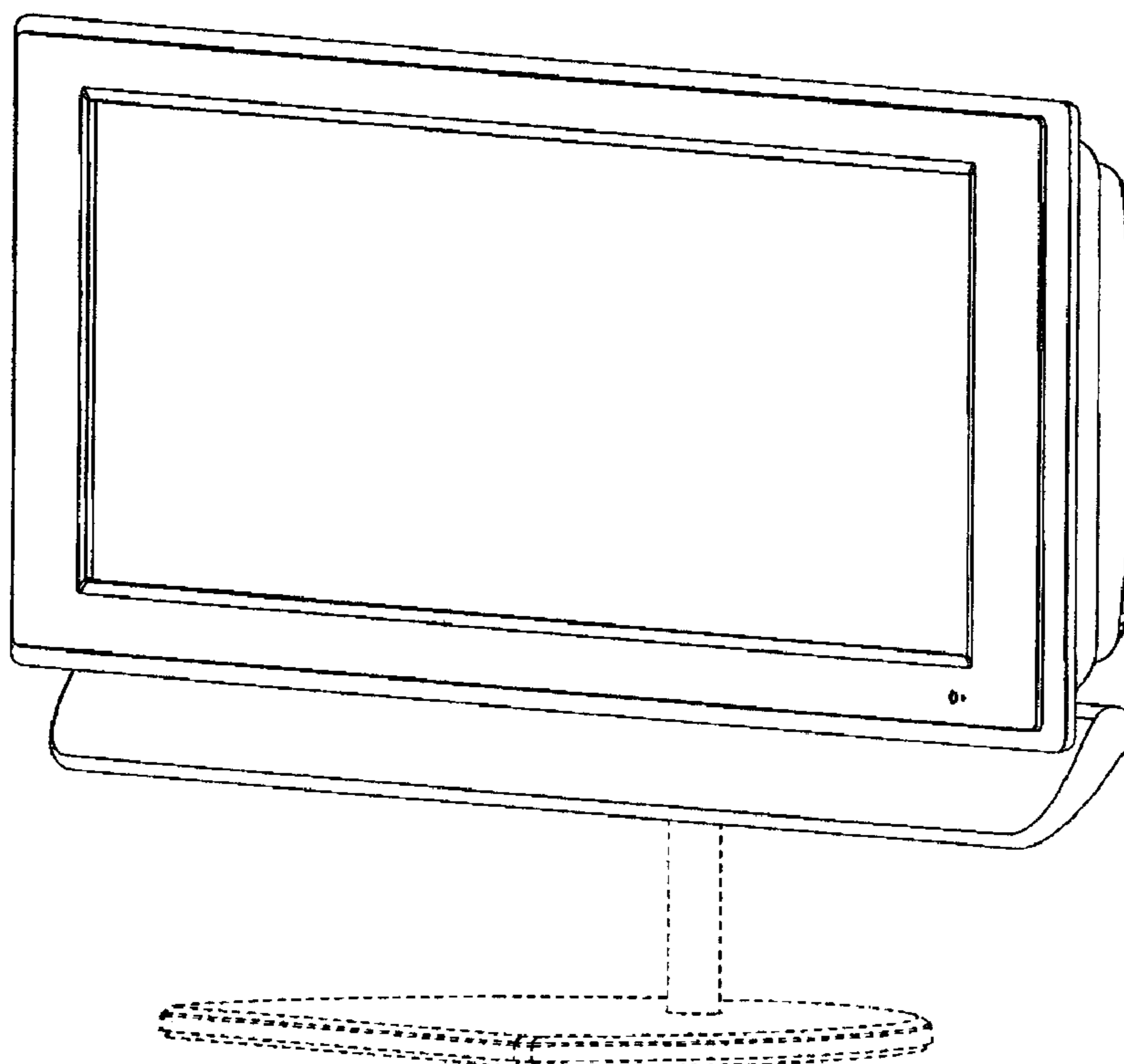
FIG. 5 is a right side view thereof;

FIG. 6 is a top plan view thereof; and,

FIG. 7 is a bottom plan view thereof.

FIG. 8 is a perspective view thereof shown in an alternate position.

**1 Claim, 5 Drawing Sheets**



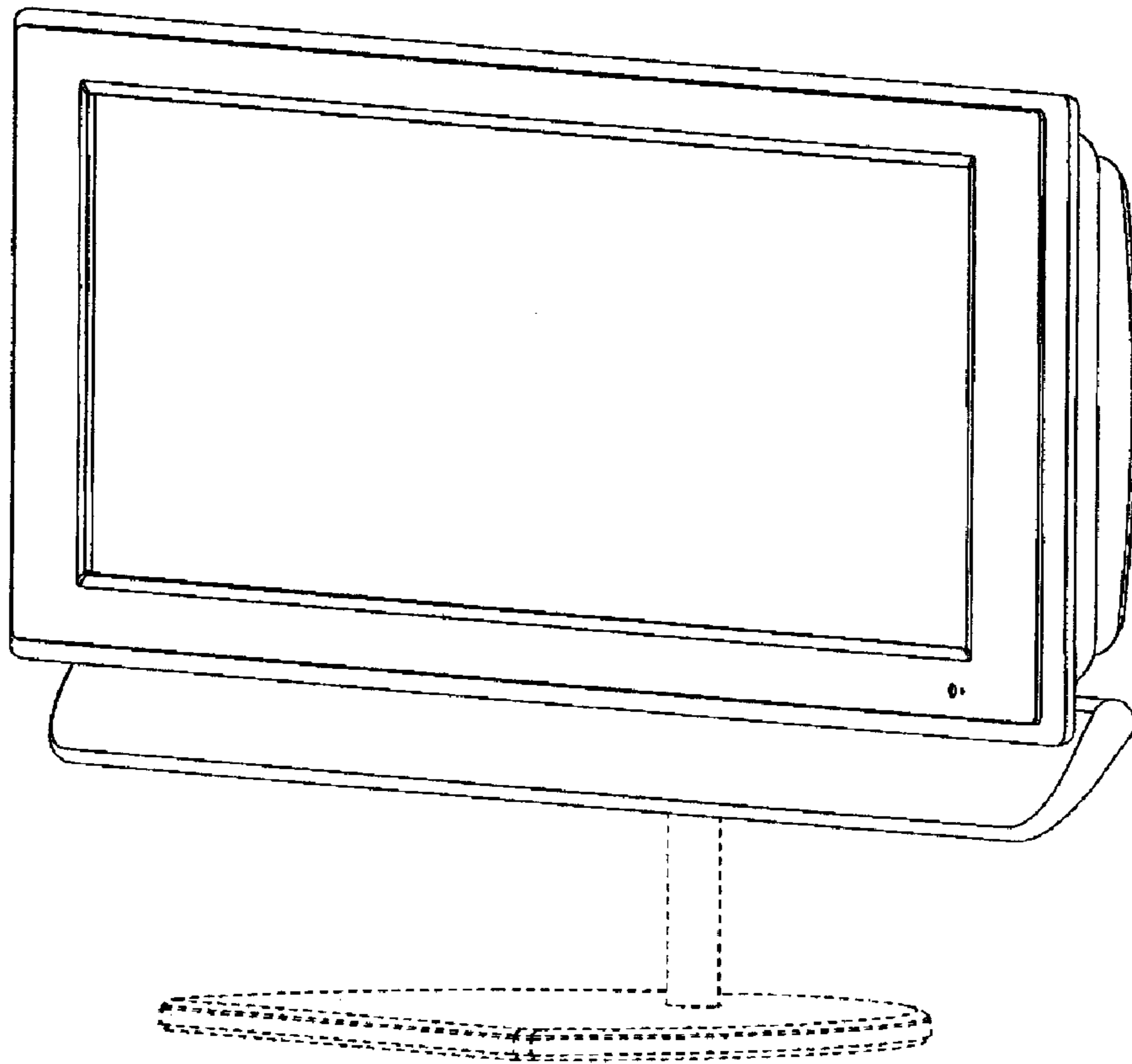


FIG. 1

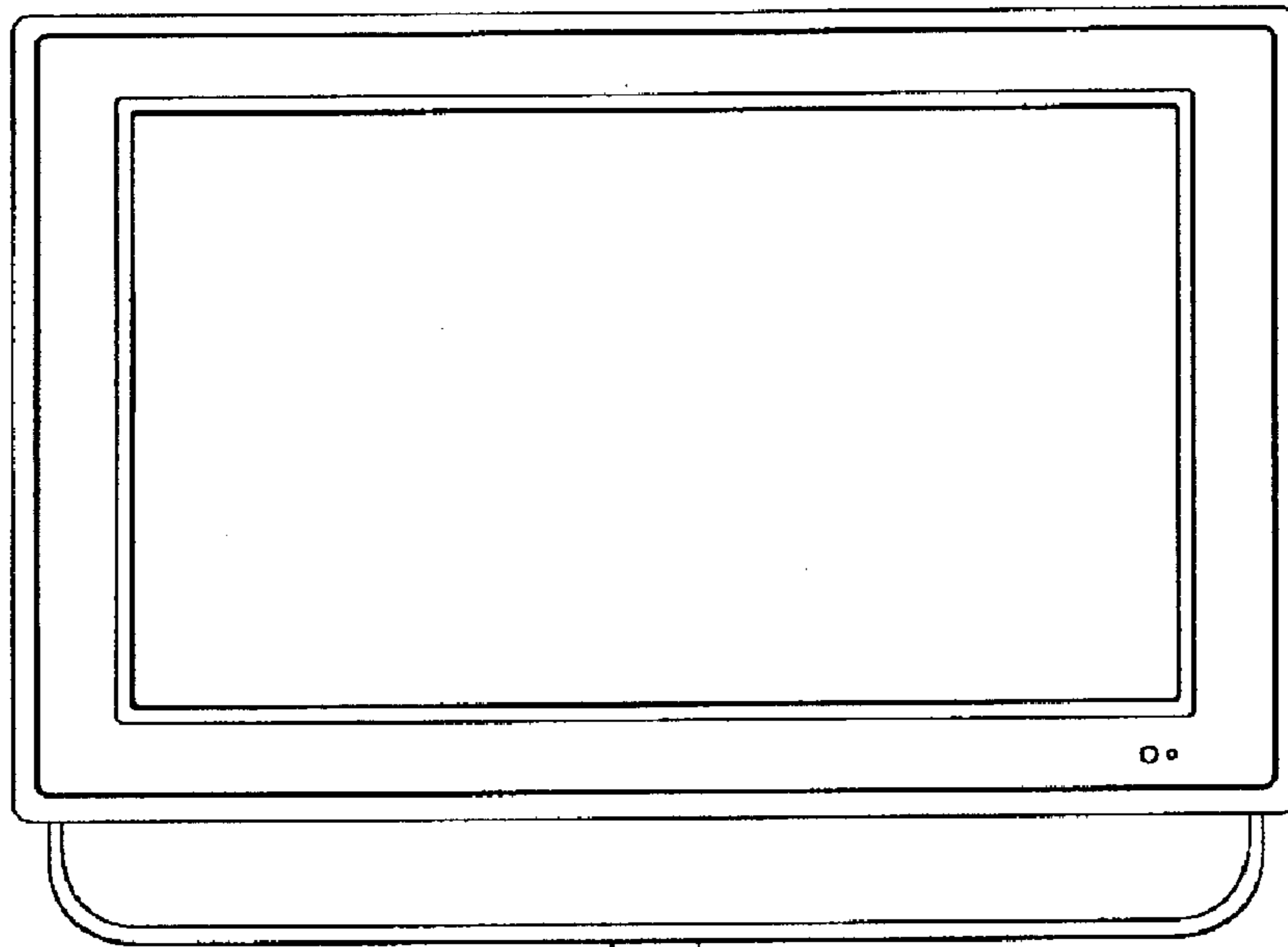


FIG. 2

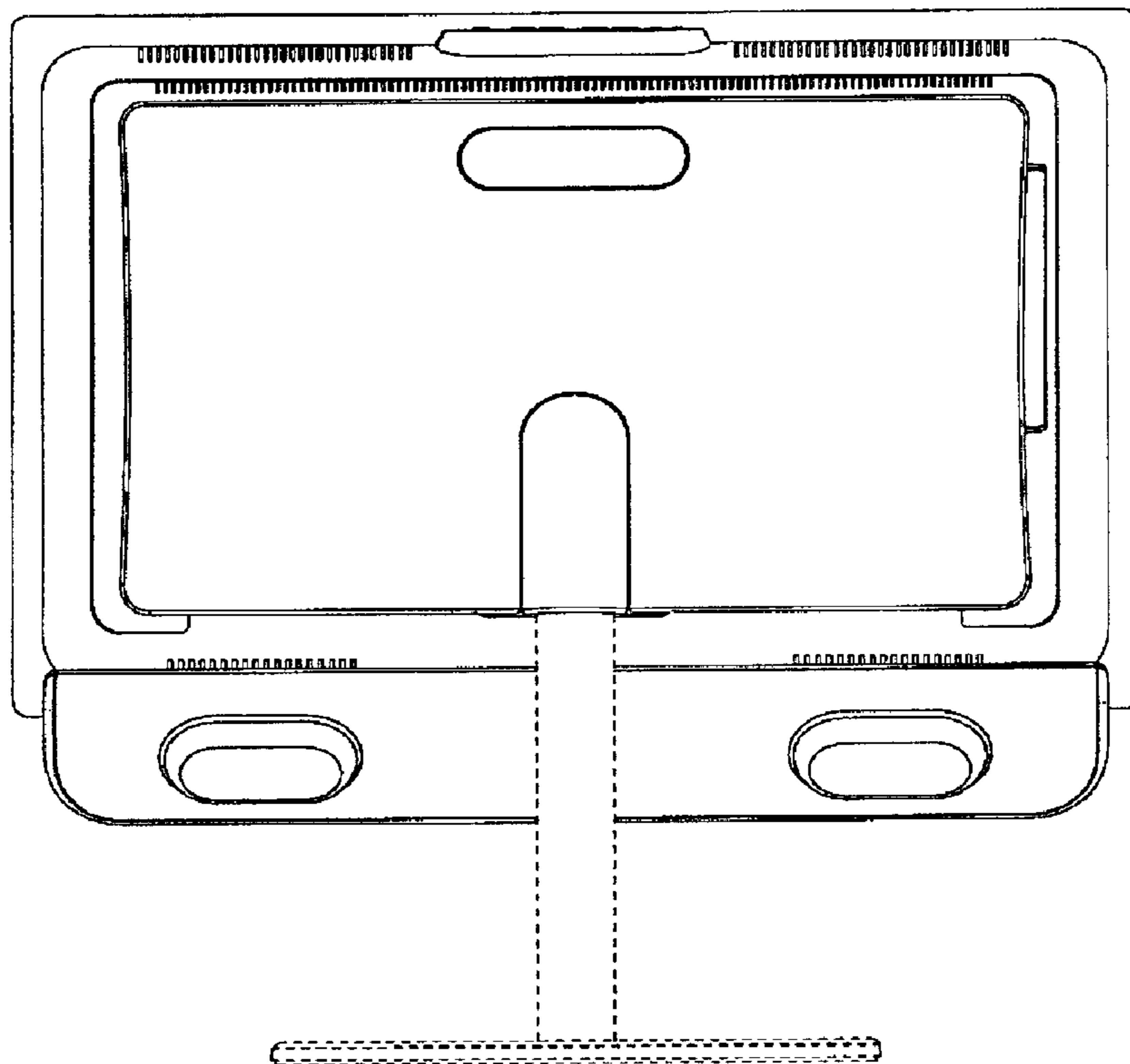


FIG. 3

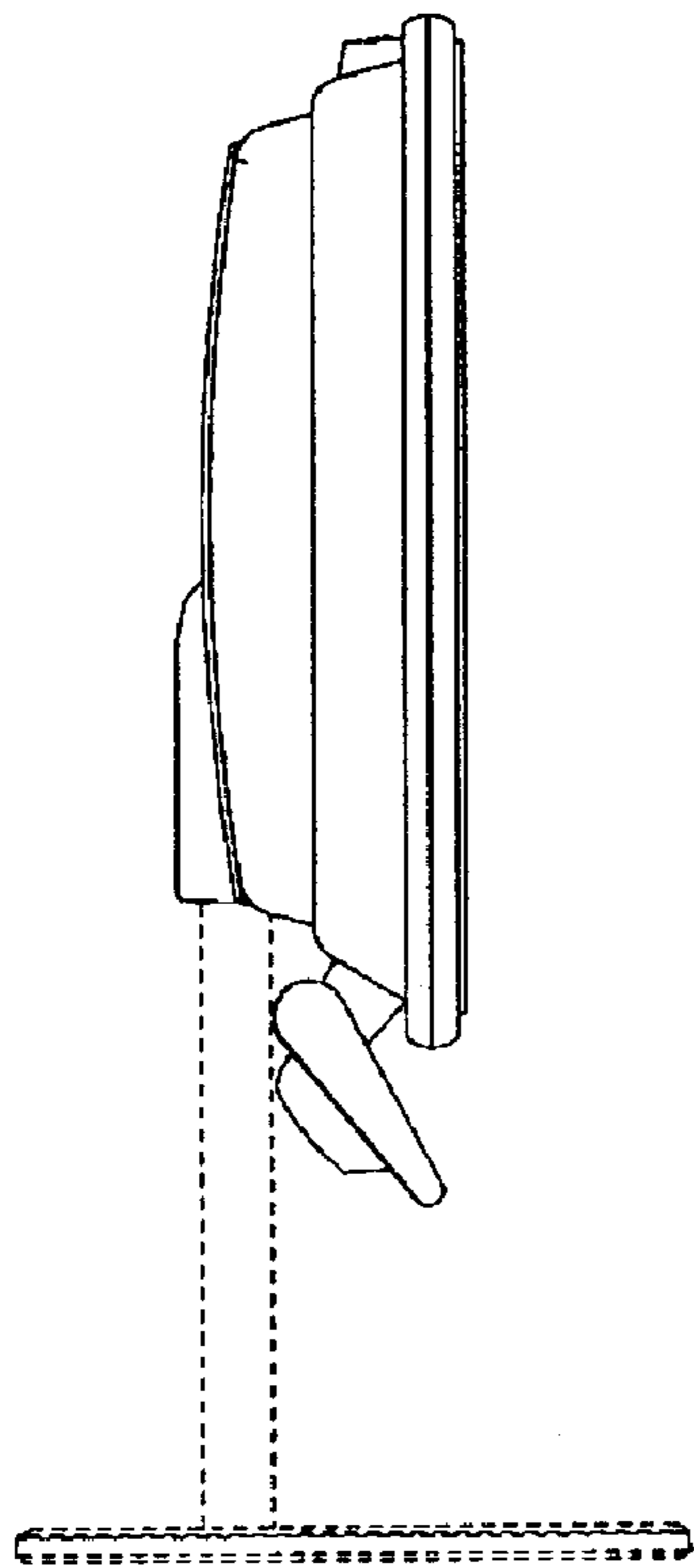


FIG. 4

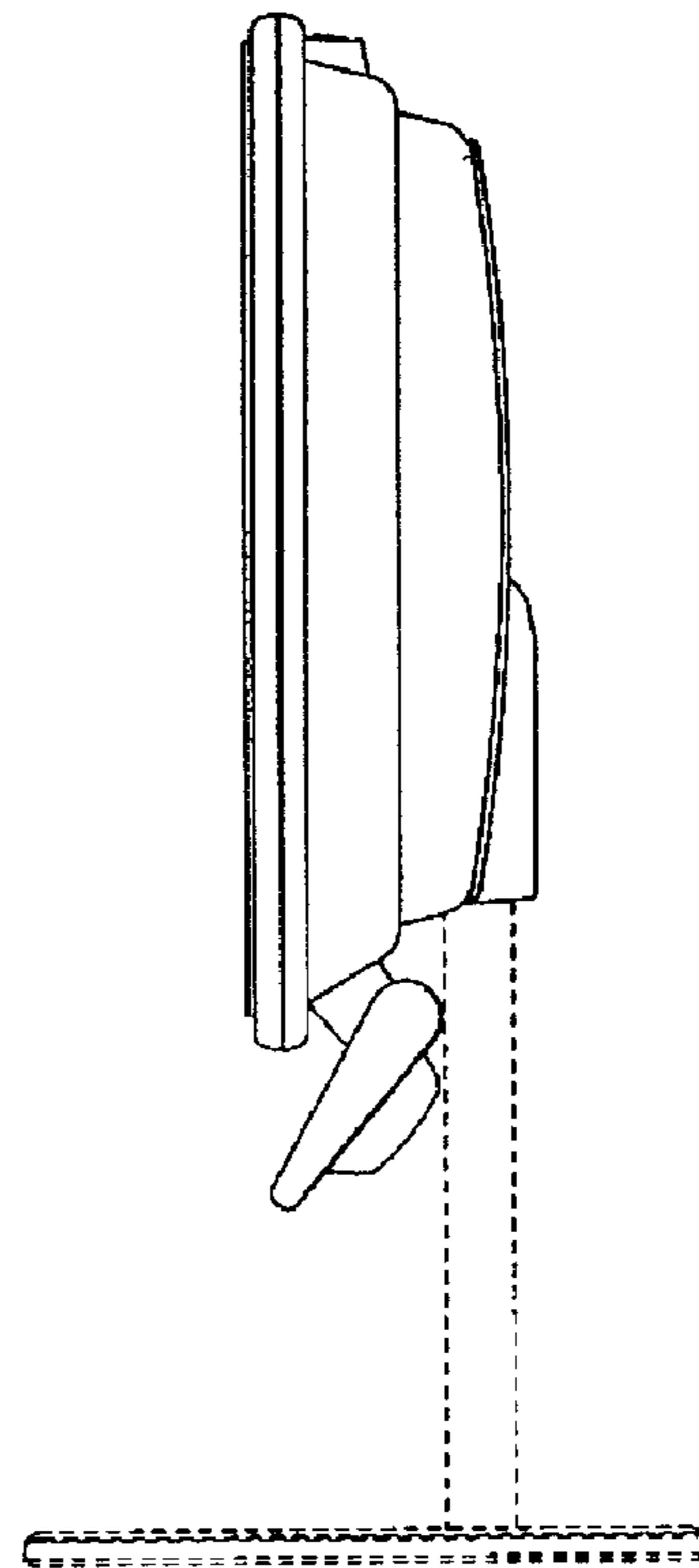


FIG. 5

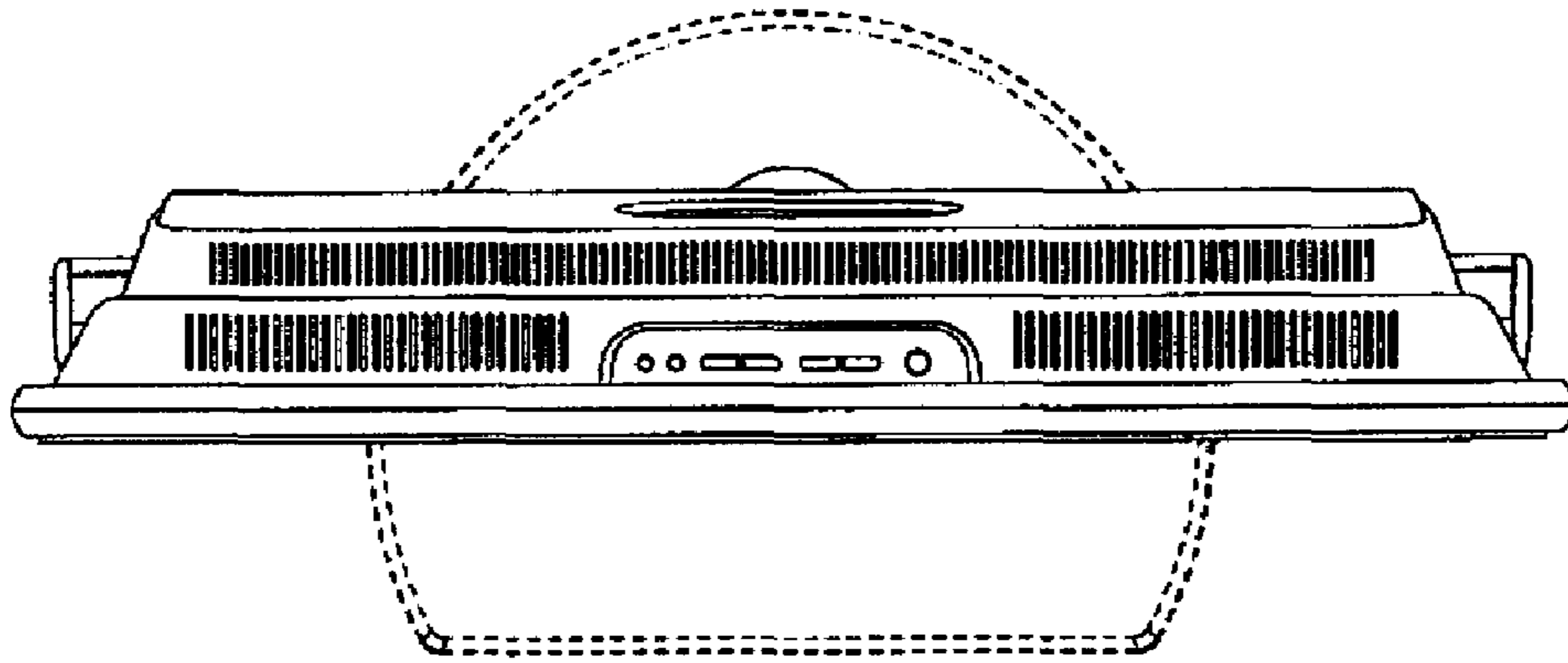


FIG. 6

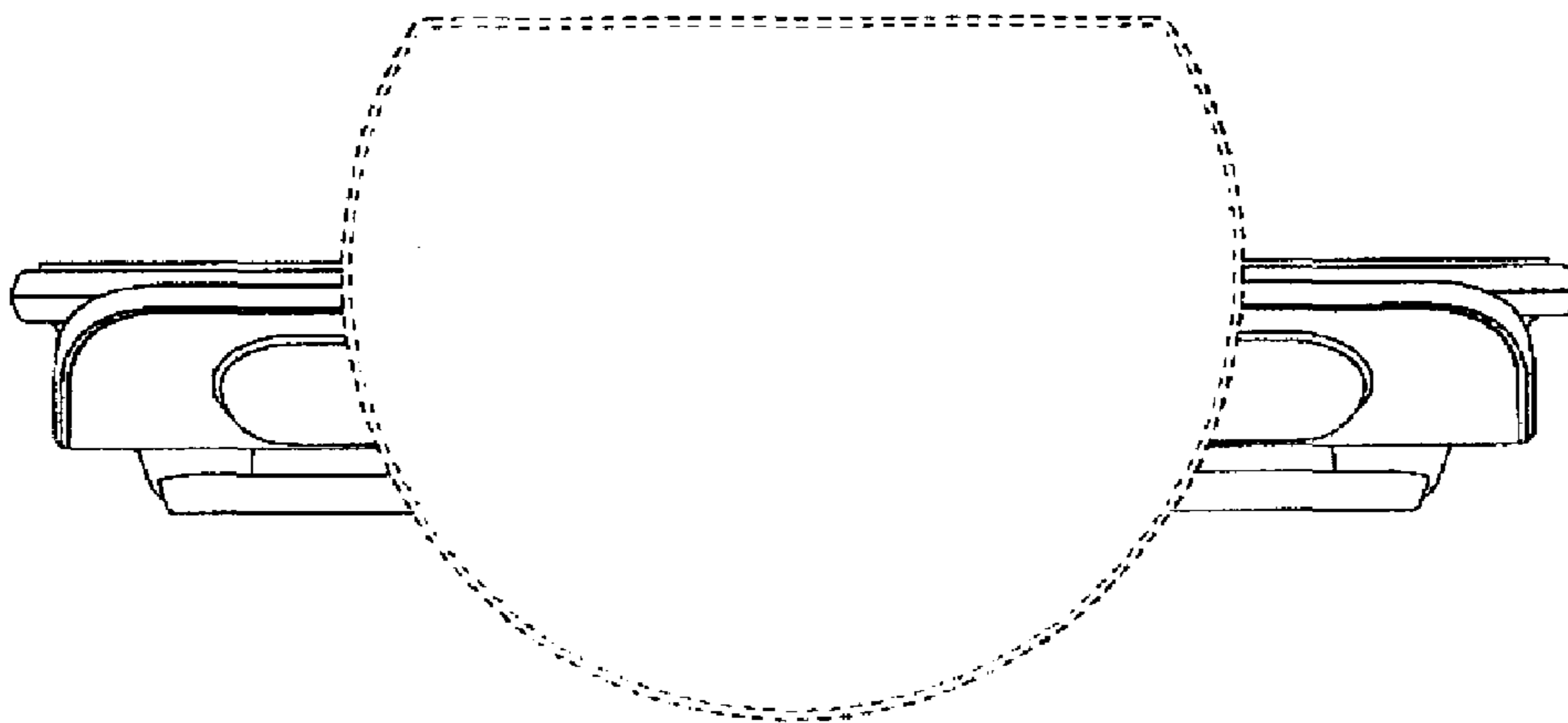


FIG. 7

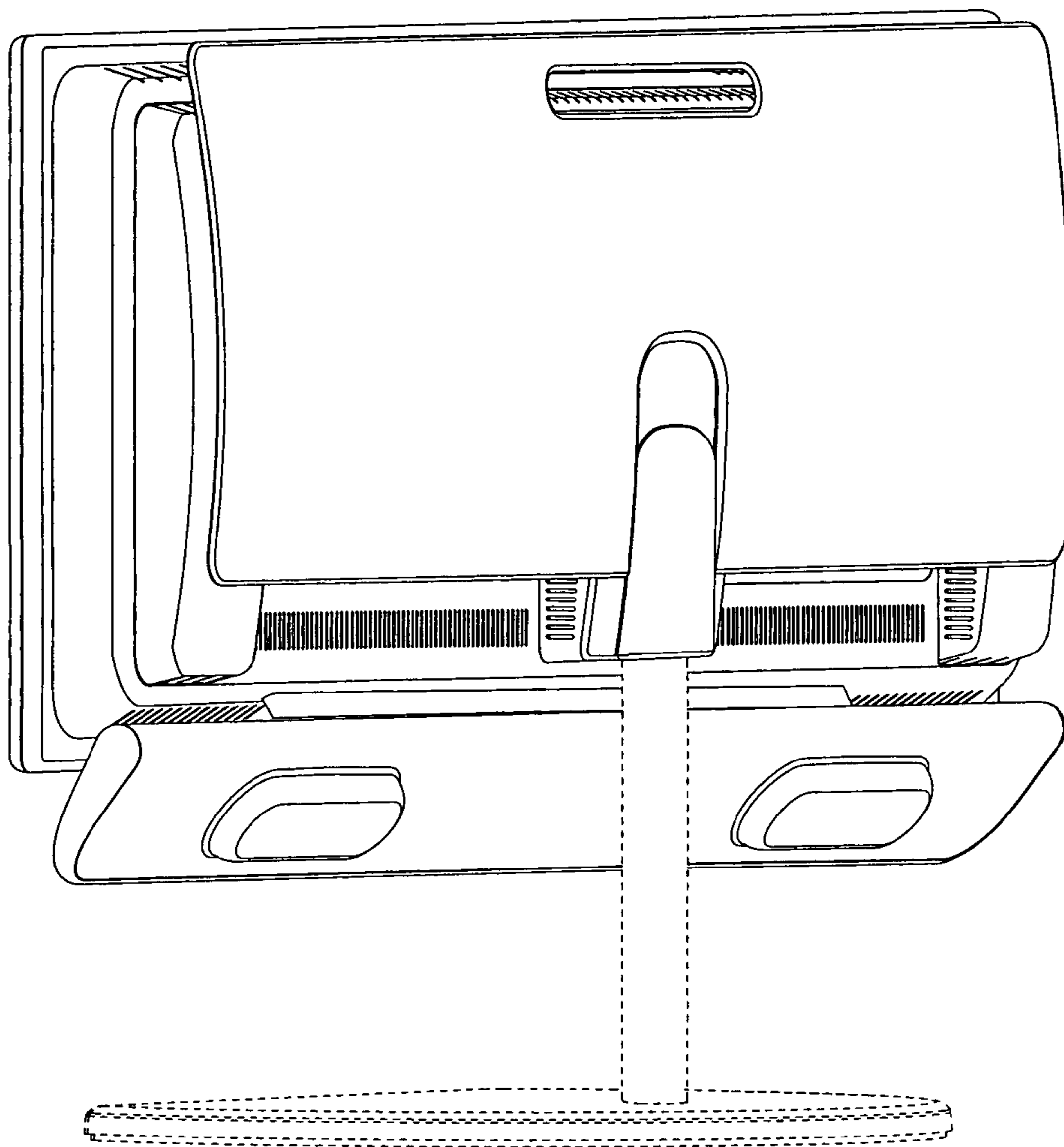


FIG. 8