

US00D549665S

(12) **United States Design Patent**
Chen

(10) **Patent No.:** **US D549,665 S**

(45) **Date of Patent:** **** Aug. 28, 2007**

(54) **REMOTE CONTROLLER FOR COMPUTER**

(75) Inventor: **William Chen**, Taichung (TW)

(73) Assignee: **Light-Art Technology Co., Ltd.**,
Taichung (TW)

(**) Term: **14 Years**

(21) Appl. No.: **29/250,738**

(22) Filed: **Nov. 30, 2006**

(51) **LOC (8) Cl.** **13-03**

(52) **U.S. Cl.** **D13/168**

(58) **Field of Classification Search** D13/168;
D10/104, 106; D14/218, 247; 340/825.22,
340/825.24, 825.25, 825.31, 825.36, 825.69,
340/825.72; 341/20, 23, 34, 176; 345/156,
345/169; 348/734; 455/92, 95, 100, 128,
455/151.1–151.4, 325–355; 463/39, 42;
700/17, 19, 20, 65, 83, 275

See application file for complete search history.

(56) **References Cited**

U.S. PATENT DOCUMENTS

- D411,539 S * 6/1999 Nagai et al. D14/218
- D451,076 S * 11/2001 Sommer et al. D13/168
- D451,891 S * 12/2001 Noonan et al. D13/168
- 6,680,673 B1 * 1/2004 Wong 340/825.69
- 7,046,230 B2 * 5/2006 Zadesky et al. 345/156

- D531,137 S * 10/2006 Wu D13/168
- D533,514 S * 12/2006 Hidalgo D13/168
- 2004/0125078 A1 * 7/2004 Nishimori et al. 345/156
- 2005/0128180 A1 * 6/2005 Wang 345/156
- 2006/0017857 A1 * 1/2006 Sata et al. 348/734

* cited by examiner

Primary Examiner—Selina Sikder

(74) *Attorney, Agent, or Firm*—Pai Patent & Trademark
Law Firm; Chao-Chang David Pai

(57) **CLAIM**

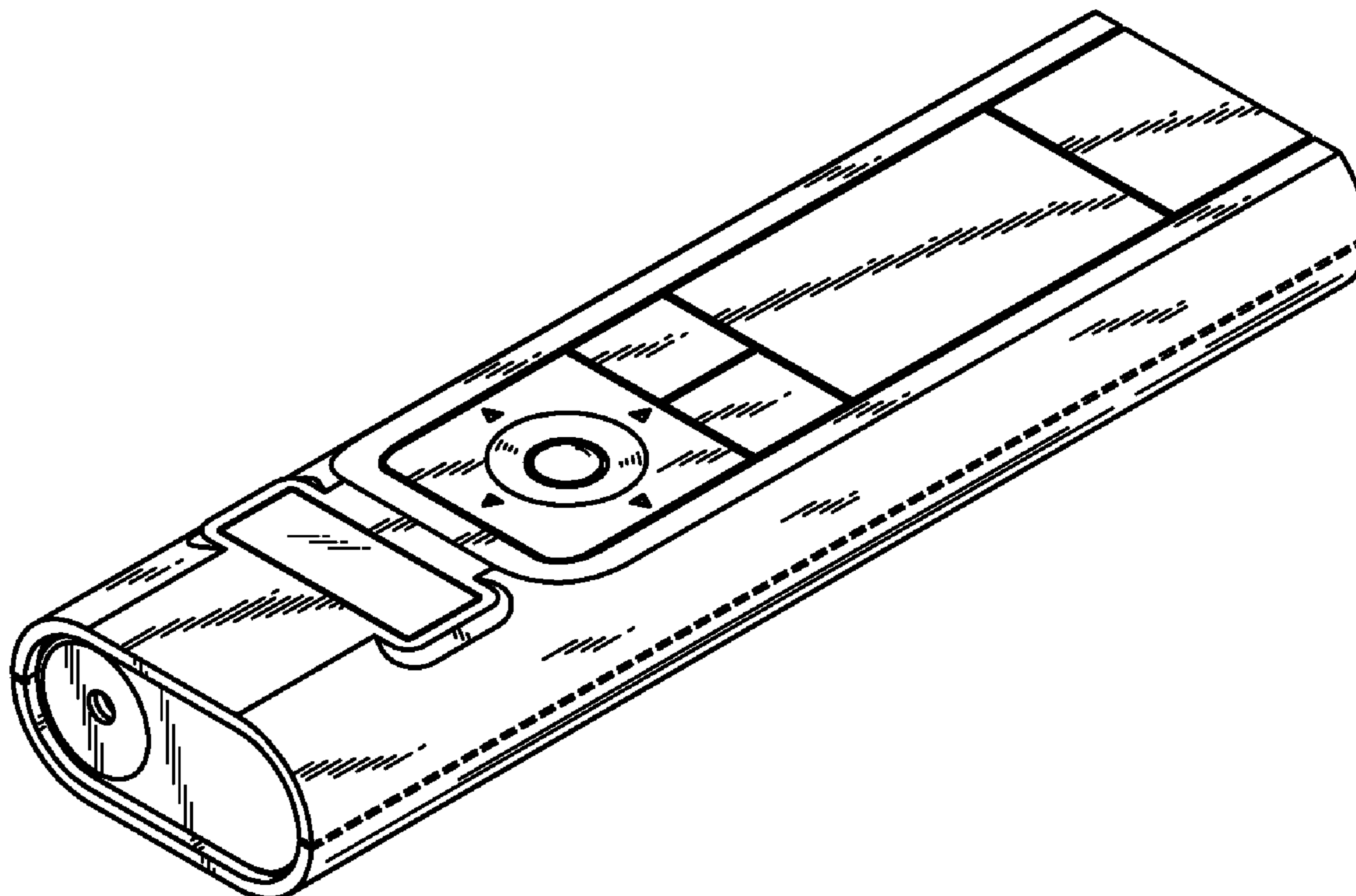
The ornamental design for a remote controller for computer,
as shown and described.

DESCRIPTION

- FIG. 1 shows a perspective view of a remote controller for computer showing the present design;
- FIG. 2 shows a right side elevational view thereof;
- FIG. 3 shows a top plan view thereof;
- FIG. 4 shows a front elevational view thereof;
- FIG. 5 shows a bottom plan view thereof;
- FIG. 6 shows a left side elevational view thereof; and,
- FIG. 7 shows a rear elevational view thereof.

The broken line illustration in the drawing is for illustrative purposes only and forms no part of the claimed design.

1 Claim, 3 Drawing Sheets



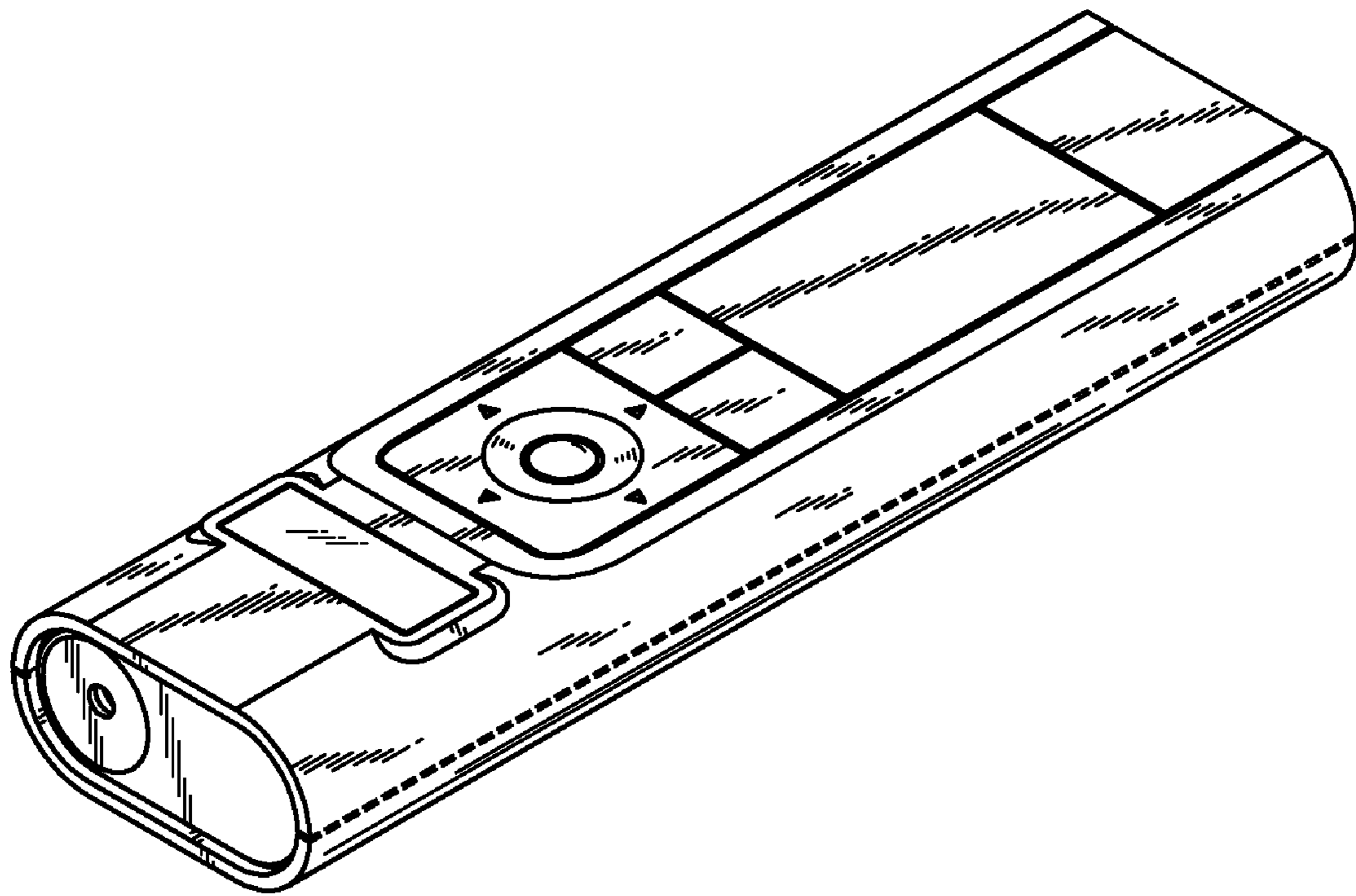


FIG. 1

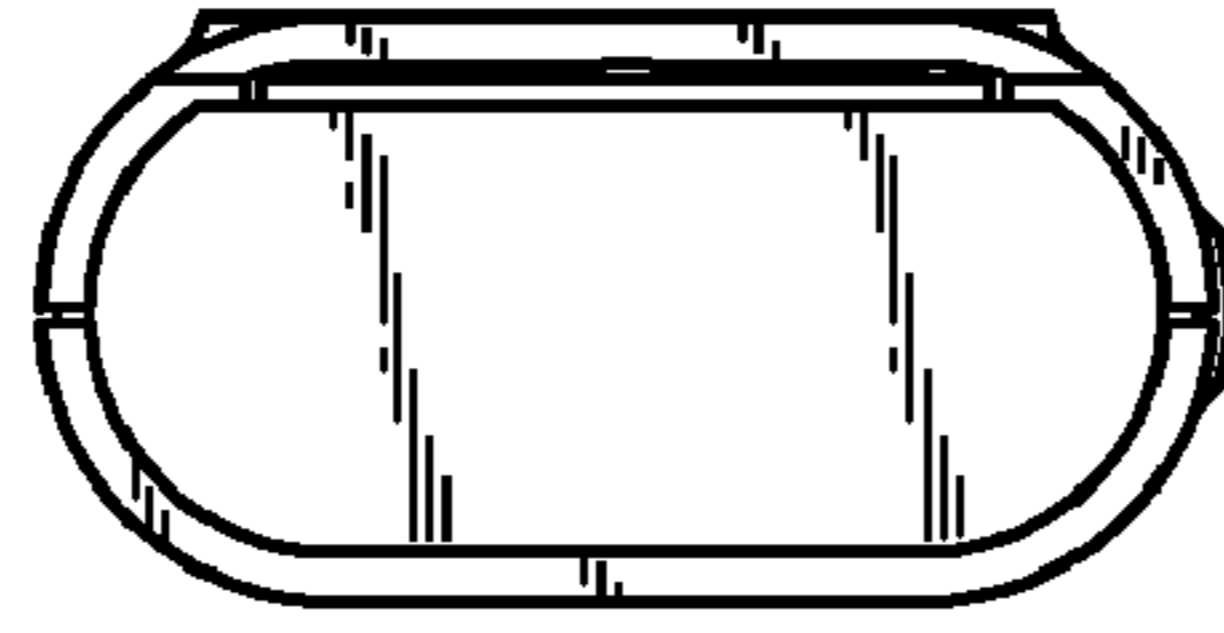


FIG. 2

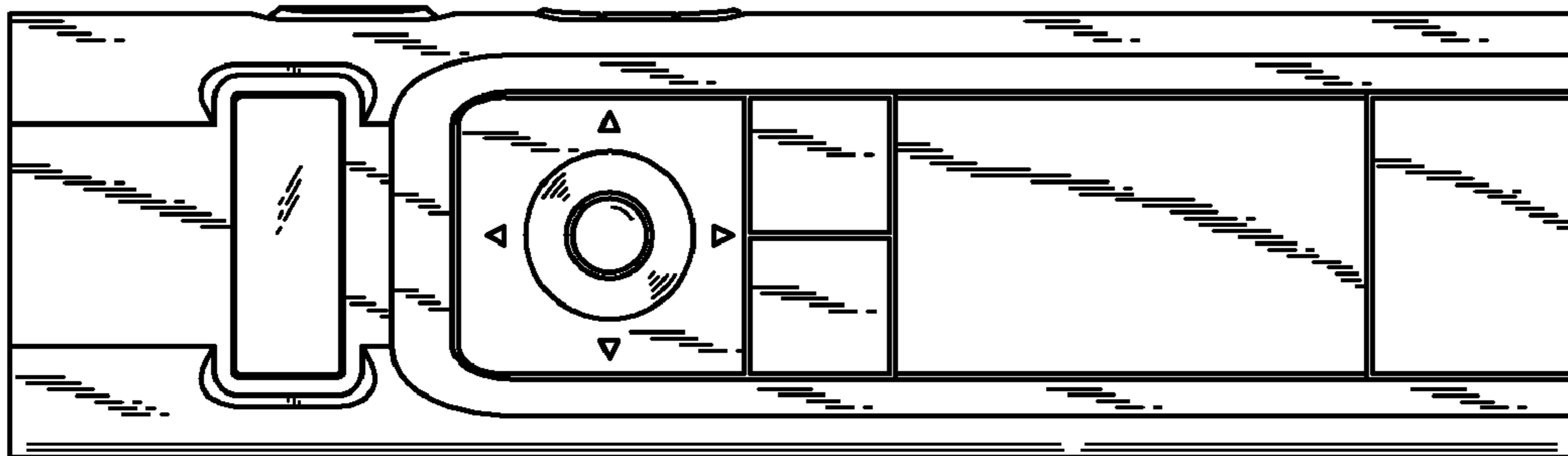


FIG. 3

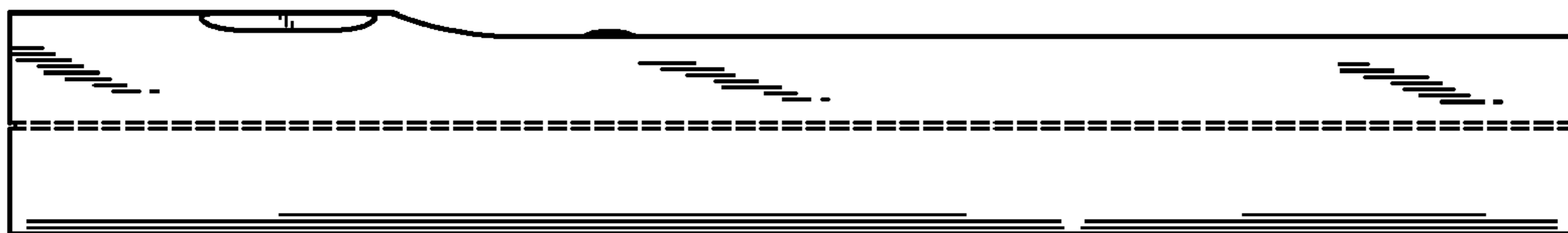


FIG. 4

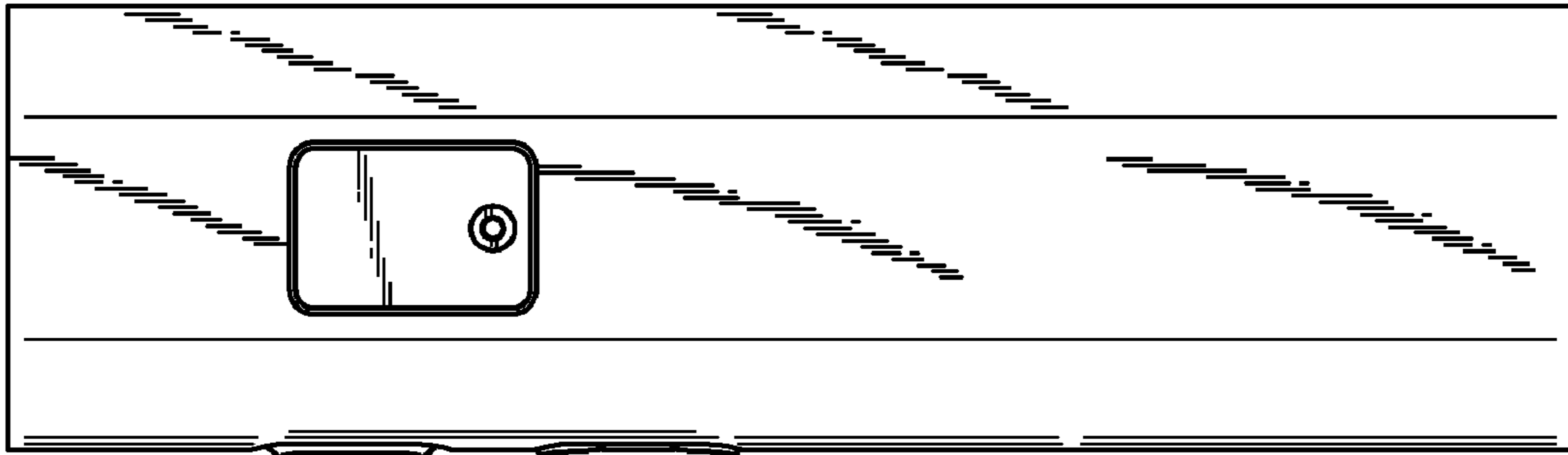


FIG. 5

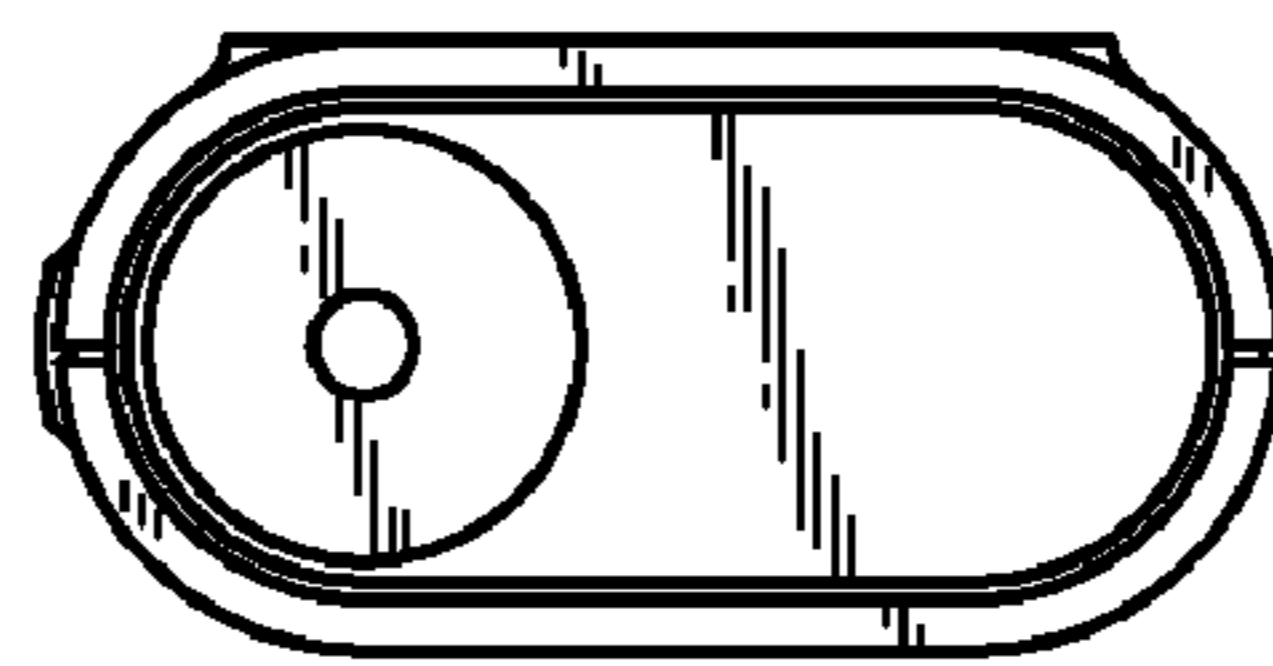


FIG. 6

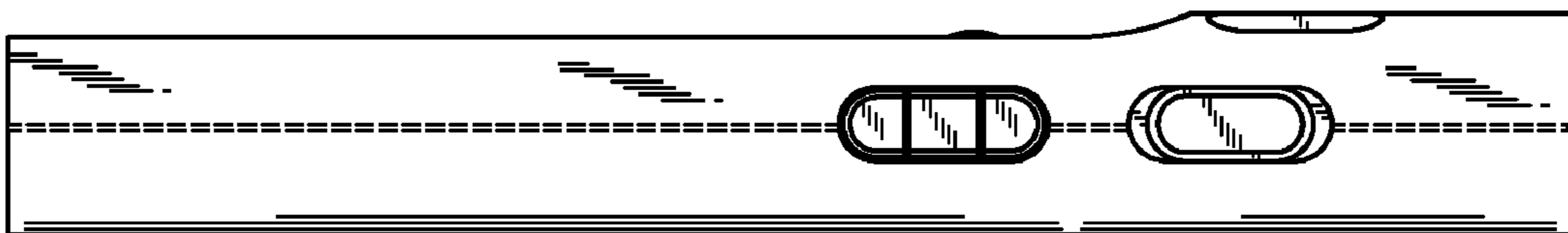


FIG. 7