

US00D549663S

(12) **United States Design Patent**  
**Tsou et al.**

(10) **Patent No.:** **US D549,663 S**

(45) **Date of Patent:** **\*\* Aug. 28, 2007**

(54) **CONTROL BOX OF ACTUATOR**

(75) Inventors: **Wen-Chia Tsou**, Taichung (TW);  
**Li-Shua Sun**, Taichung (TW)

(73) Assignee: **Hiwin Mikrosystem Corp.**, Taichung  
(TW)

(\*\*) Term: **14 Years**

(21) Appl. No.: **29/250,488**

(22) Filed: **Nov. 16, 2006**

(51) **LOC (8) Cl.** ..... **13-03**

(52) **U.S. Cl.** ..... **D13/158; D15/143; D13/147;**  
D13/164

(58) **Field of Classification Search** ..... D13/158,  
D13/159, 160, 161, 162, 164, 199, 174, 147;  
D15/143, 199; 74/73.12, 89.15, 335, 411.5,  
74/490.09; 91/61, 136, 451; 310/20, 80  
See application file for complete search history.

(56) **References Cited**

U.S. PATENT DOCUMENTS

D333,122 S *	2/1993	Kamakura et al. ....	D13/123
D378,214 S *	2/1997	Ikumi .....	D15/7
D408,364 S *	4/1999	Hsiang .....	D13/151
D452,681 S *	1/2002	Inoue .....	D13/151
D452,682 S *	1/2002	Inoue .....	D13/151
D452,850 S *	1/2002	Inoue .....	D13/151
D465,796 S *	11/2002	Kaneko et al. ....	D15/143

D465,797 S *	11/2002	Landerholm et al. ....	D15/143
D490,378 S *	5/2004	Chung .....	D13/147
D533,137 S *	12/2006	Henriksson et al. ....	D13/147
D542,816 S *	5/2007	Yajima et al. ....	D15/143
2006/0141867 A1 *	6/2006	Liu et al. ....	439/660

\* cited by examiner

*Primary Examiner*—Selina Sikder

*Assistant Examiner*—Thomas J Johannes

(74) *Attorney, Agent, or Firm*—Banger Shia

(57) **CLAIM**

The ornamental design for a control box of actuator, as shown and described.

**DESCRIPTION**

FIG. 1 is a perspective view of a control box of actuator showing my new design;

FIG. 2 is a front elevational view thereof;

FIG. 3 is a rear elevational view thereof,

FIG. 4 is a left side elevational view thereof,

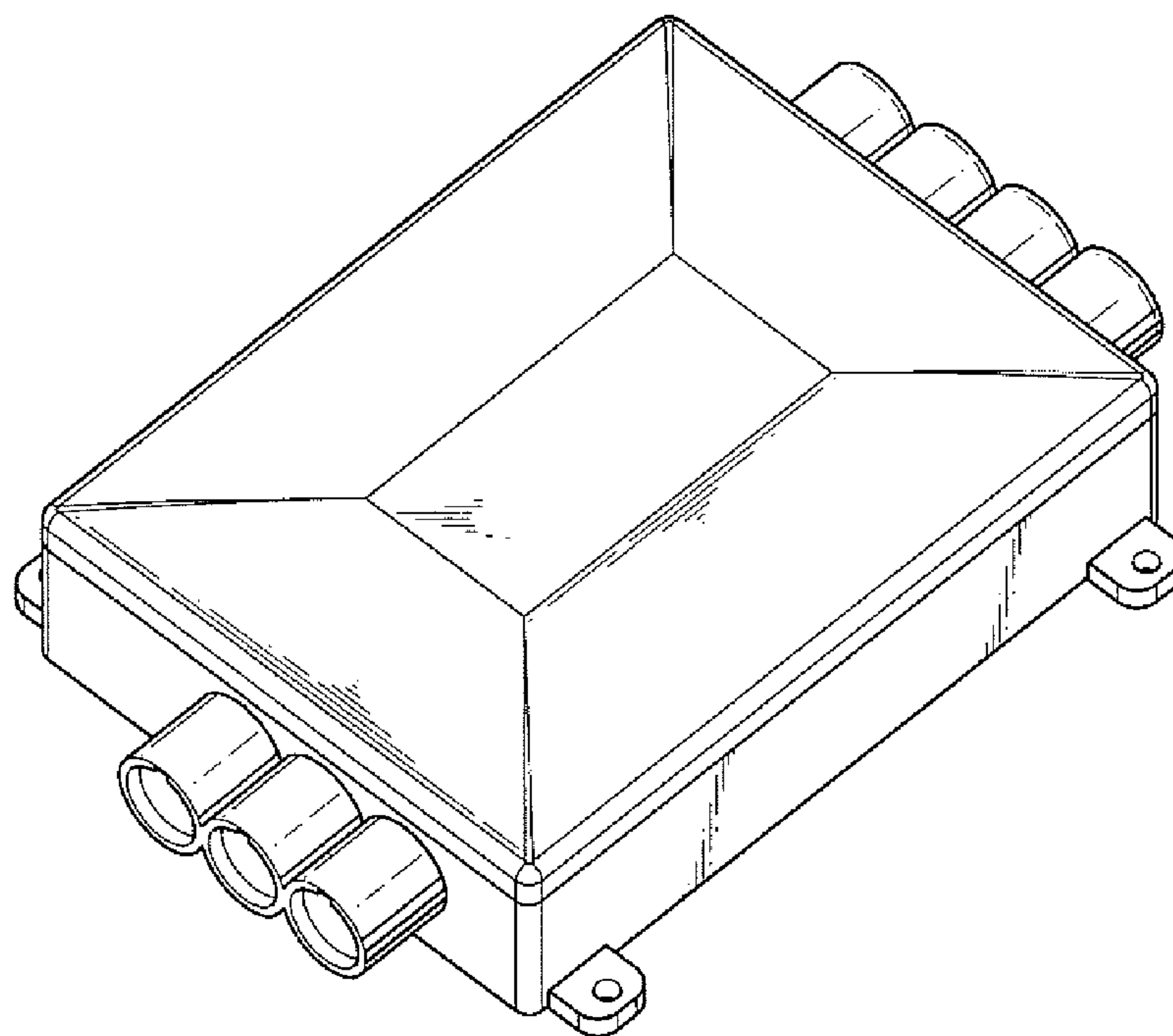
FIG. 5 is a right side elevational view thereof,

FIG. 6 is a top plan view thereof; and

FIG. 7 is a bottom plan view to that shown; and,

FIG. 8 is a perspective view of a control box of actuator, the broken lines shown are for illustrative purposes only and from no part of the claimed design.

**1 Claim, 6 Drawing Sheets**



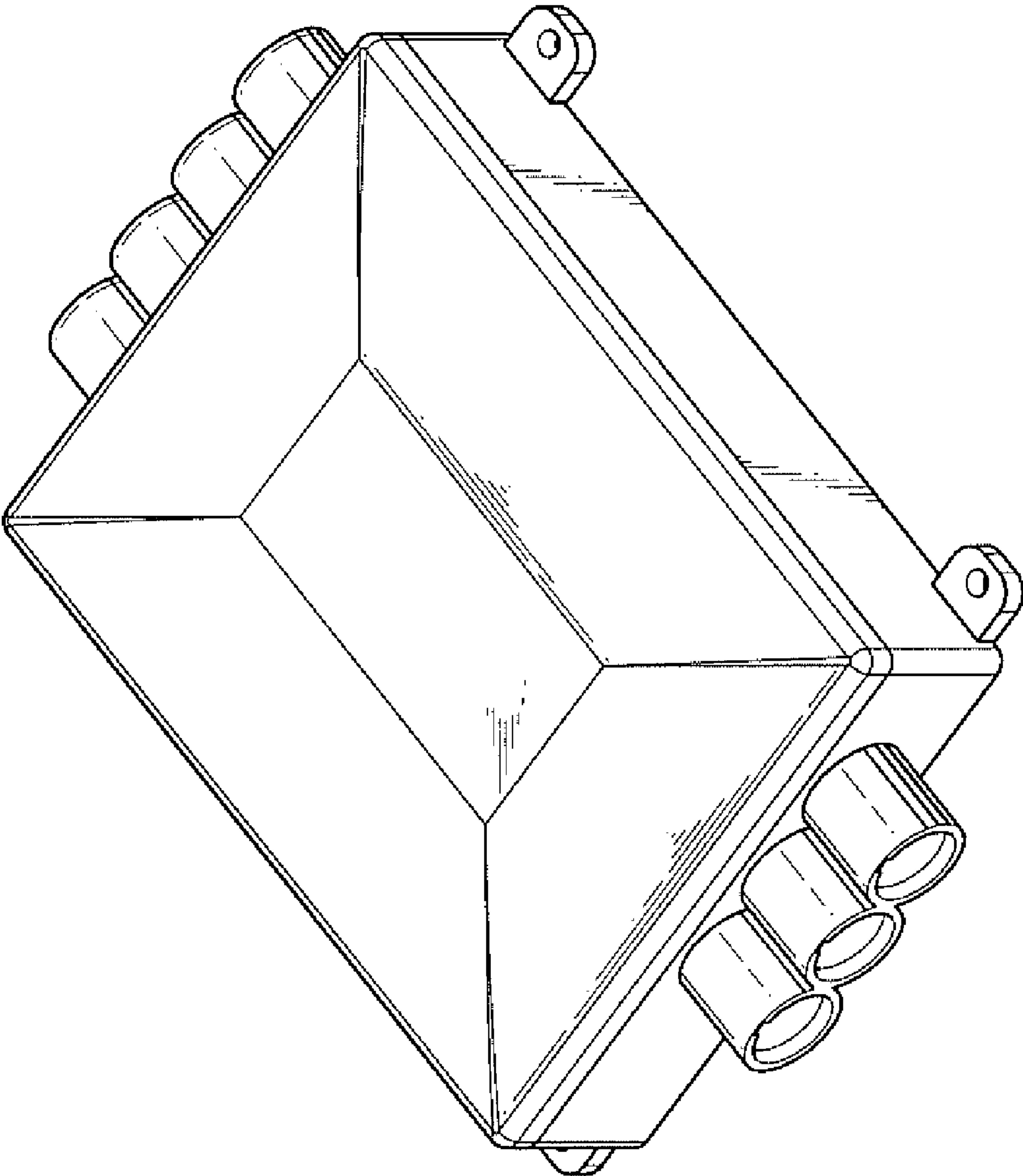


FIG. 1

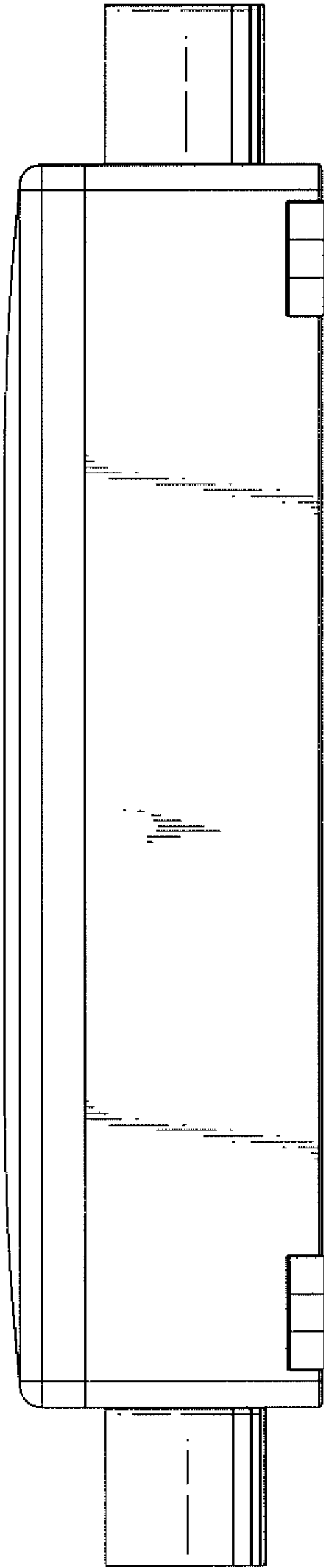


FIG. 2

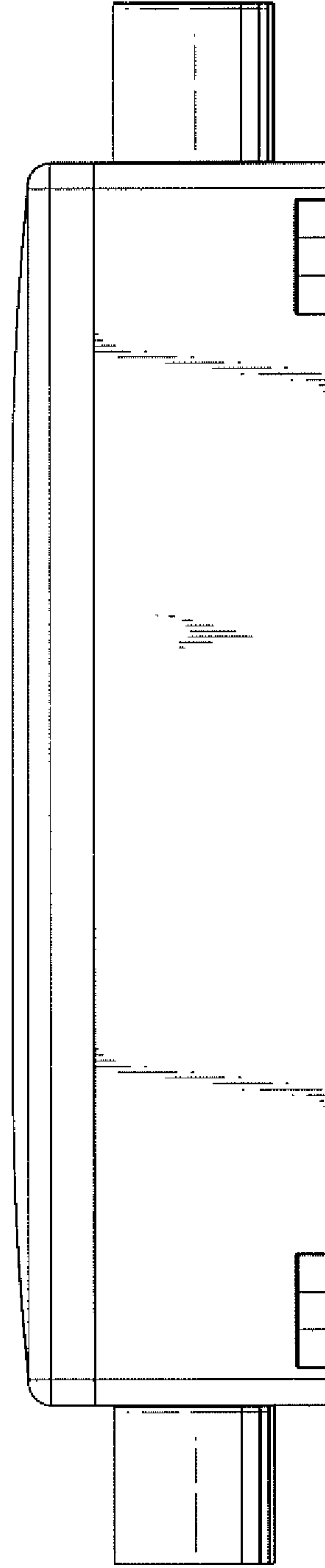


FIG. 3

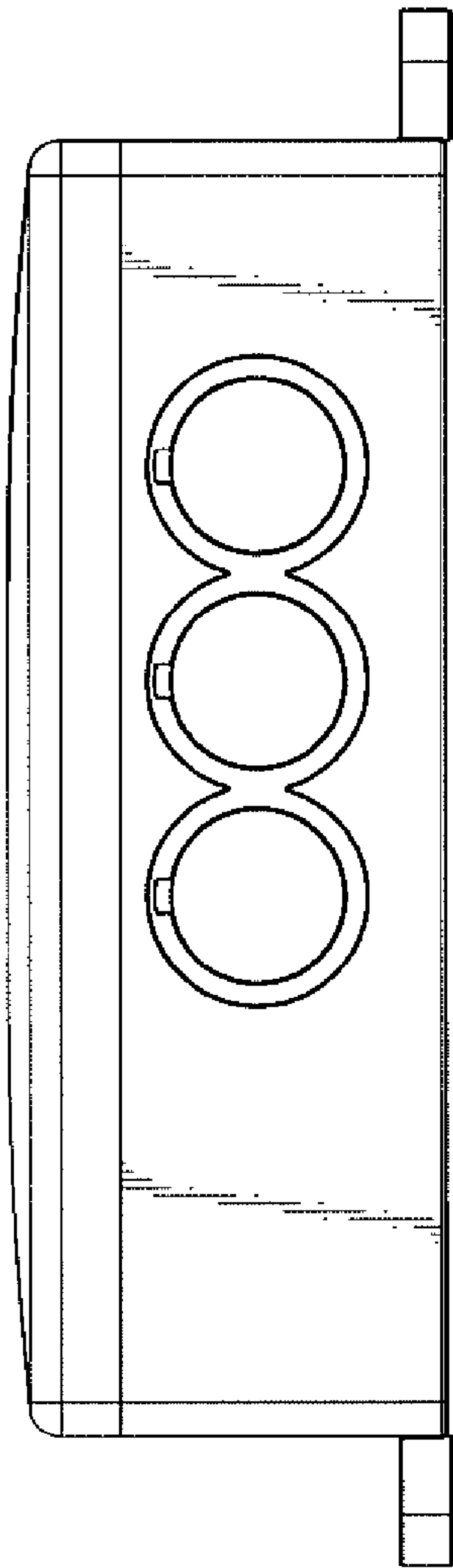


FIG. 4

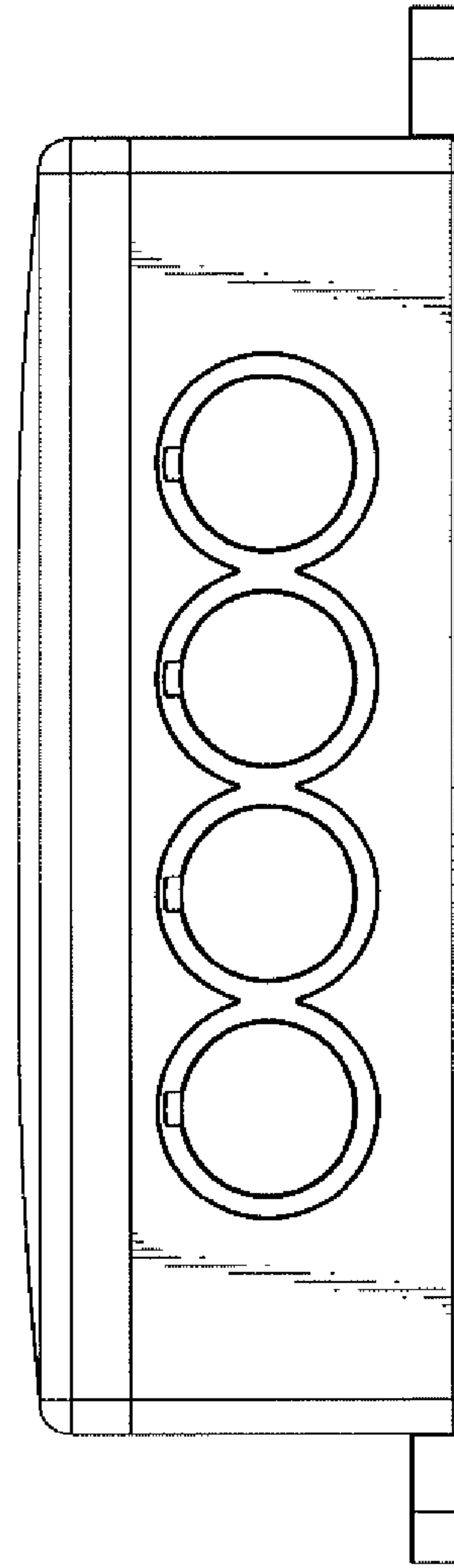


FIG. 5

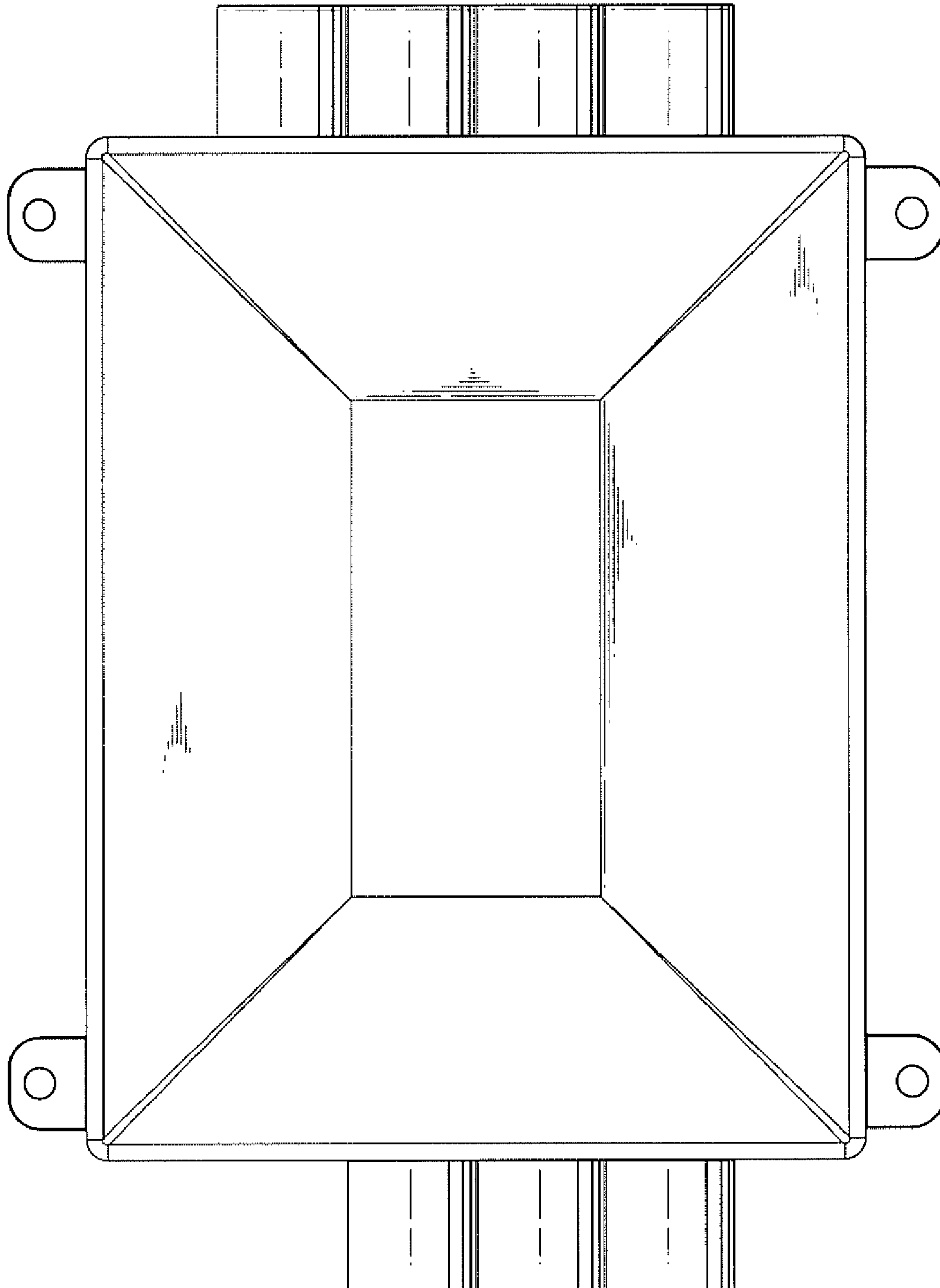


FIG. 6

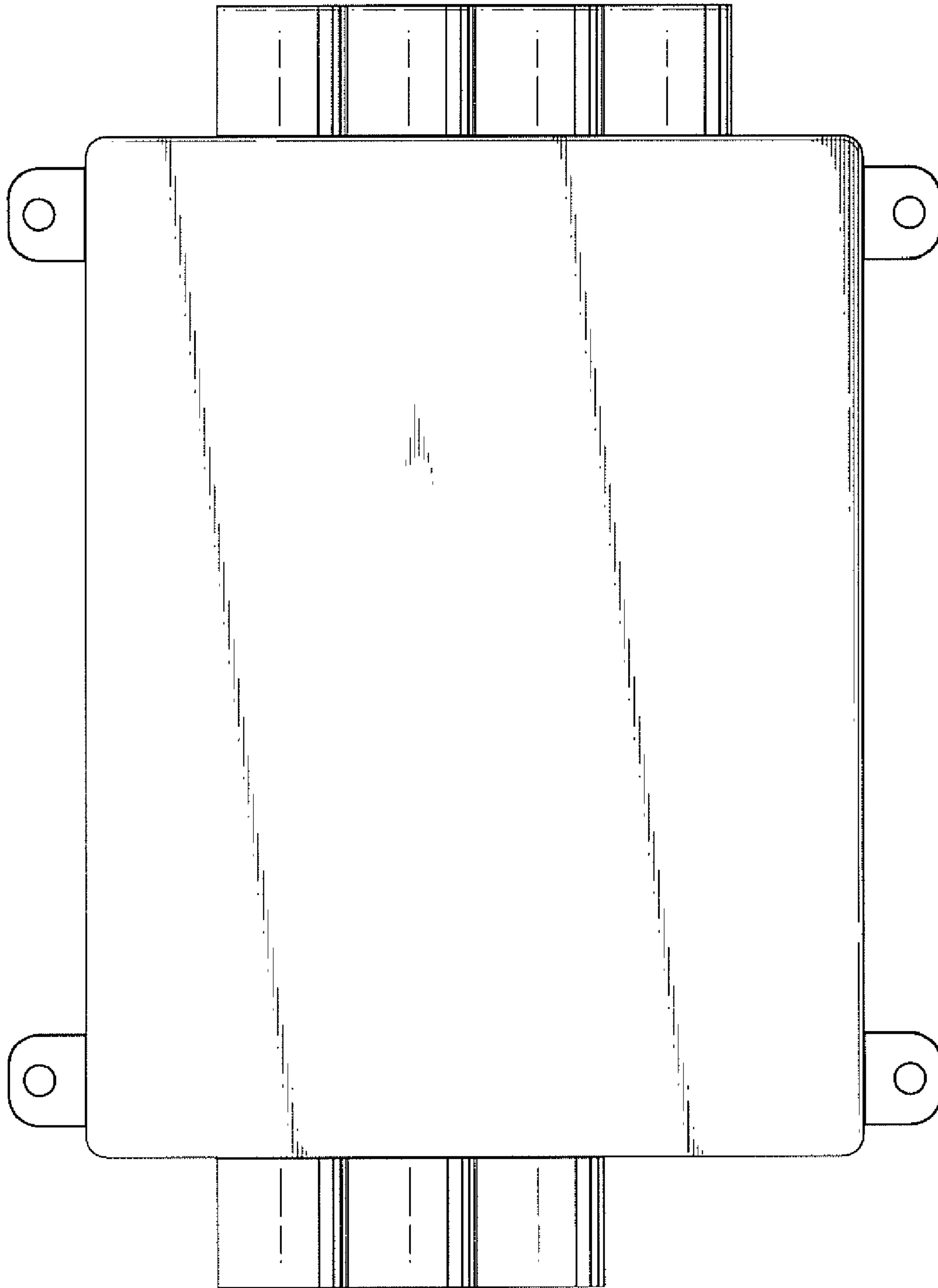


FIG. 7

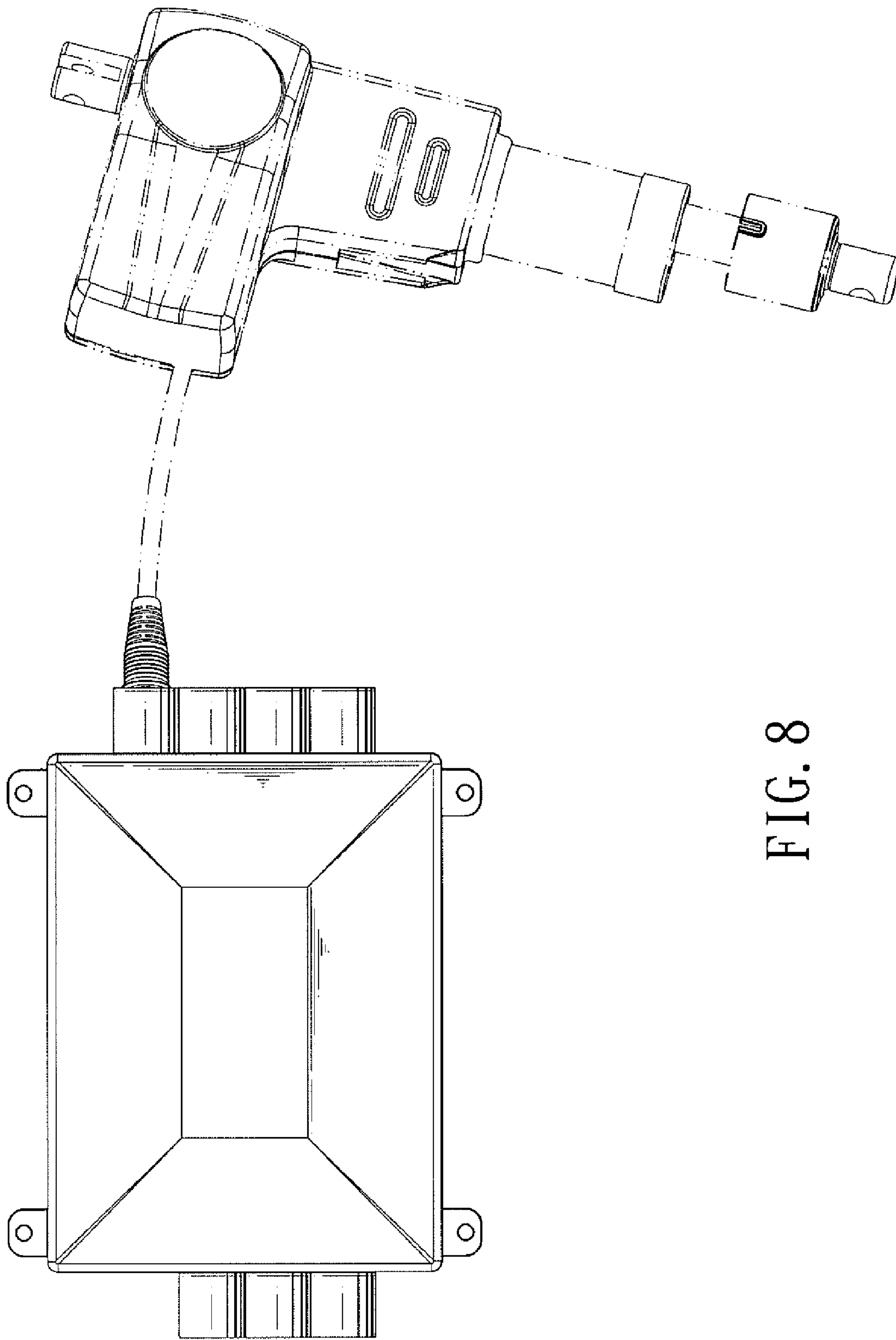


FIG. 8