

US00D549662S

(12) **United States Design Patent** (10) **Patent No.:** **US D549,662 S**
Lee et al. (45) **Date of Patent:** **** Aug. 28, 2007**

(54) **HDMI CONNECTOR**

(75) Inventors: **Noel Lee**, Las Vegas, NV (US);
Kendrew Lee, Fremont, CA (US)

(73) Assignee: **Monster Cable Products, Inc.**,
Brisbane, CA (US)

(**) Term: **14 Years**

(21) Appl. No.: **29/212,666**

(22) Filed: **Sep. 3, 2004**

(51) **LOC (8) Cl.** **13-03**

(52) **U.S. Cl.** **D13/154**

(58) **Field of Classification Search** D13/133,
D13/146, 147, 154, 156, 184, 199; D14/433;
439/447, 483, 606-610, 668, 669, 675, 676,
439/680, 687, 750

See application file for complete search history.

(56) **References Cited**

U.S. PATENT DOCUMENTS

D411,175 S *	6/1999	Doren et al.	D13/154
D444,772 S *	7/2001	Milan	D13/154
D451,480 S *	12/2001	Milan	D13/154
D470,819 S *	2/2003	Sass et al.	D13/133
D491,894 S *	6/2004	Jiang	D13/147
D511,501 S *	11/2005	Lee et al.	D13/156
D512,381 S *	12/2005	Sirichai et al.	D13/154
D516,032 S *	2/2006	Suckle et al.	D13/147
D519,464 S *	4/2006	Suckle et al.	D13/156
D519,465 S *	4/2006	Sirichai et al.	D13/156
D520,457 S *	5/2006	Wada et al.	D13/156
D520,458 S *	5/2006	Wada et al.	D13/156
D520,459 S *	5/2006	Kent et al.	D13/156

* cited by examiner

Primary Examiner—M. H. Tung

Assistant Examiner—Rosemary K. Tarca

(74) *Attorney, Agent, or Firm*—LaRiviere, Grubman & Payne, LLP

(57) **CLAIM**

The ornamental design for an HDMI connector, as herein shown and described.

DESCRIPTION

A portion of the disclosure of this design patent document contains material to which a claim of copyright protection is made. The copyright owner has no objection to the facsimile reproduction of the patent document or the patent disclosure as it appears in the United States Patent and Trademark Office file or records, but reserves all other copyrights.

FIG. 1 is a perspective view of an HDMI connector, in accordance with the present invention, shown on an enlarged scale.

FIG. 2 is a top view of an HDMI connector, in accordance with the present invention, shown on an enlarged scale.

FIG. 3 is a bottom view of an HDMI connector, in accordance with the present invention, shown on an enlarged scale.

FIG. 4 is a side view of an HDMI connector, in accordance with the present invention.

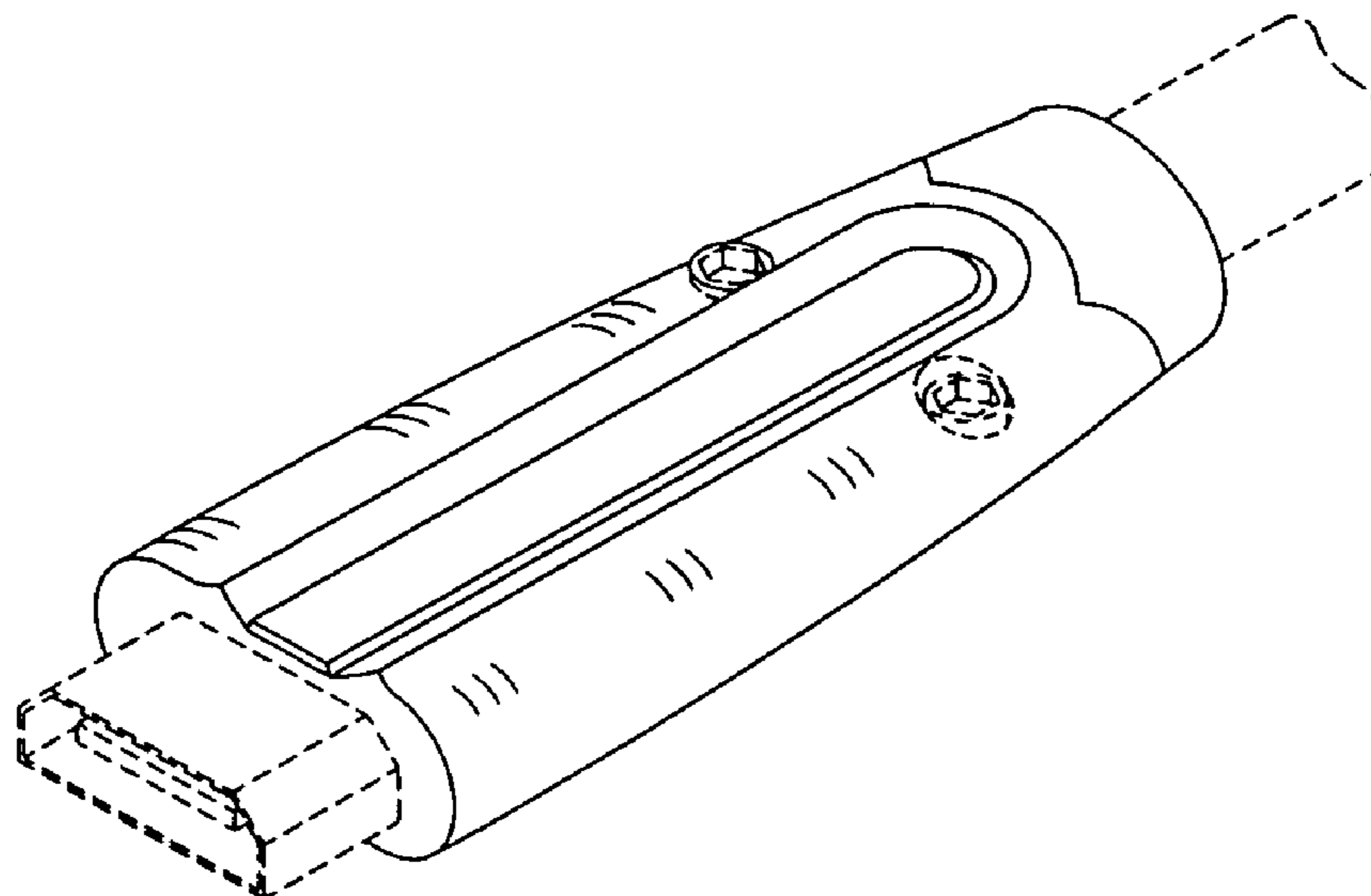
FIG. 5 is an opposing side view of an HDMI connector, in accordance with the present invention.

FIG. 6 is a rear view, i.e., proximal end view; of an HDMI connector, in accordance with the present invention; and,

FIG. 7 is a front view, i.e., opposing distal end view, of an HDMI connector, in accordance with the present invention.

Broken lines shown in any of the foregoing figures represent the environment only and do not constitute any part of the invention.

1 Claim, 2 Drawing Sheets



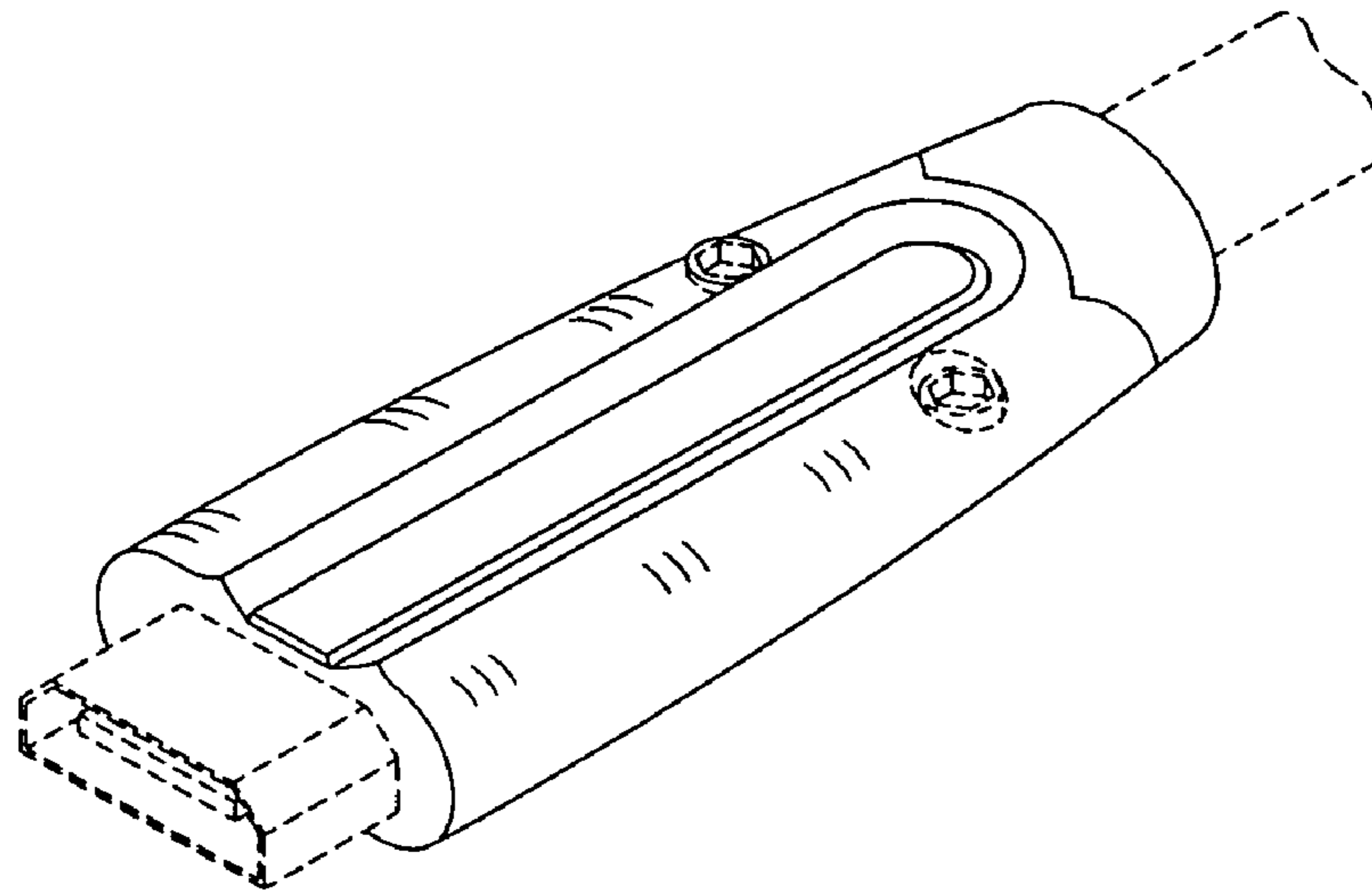


FIG. 1

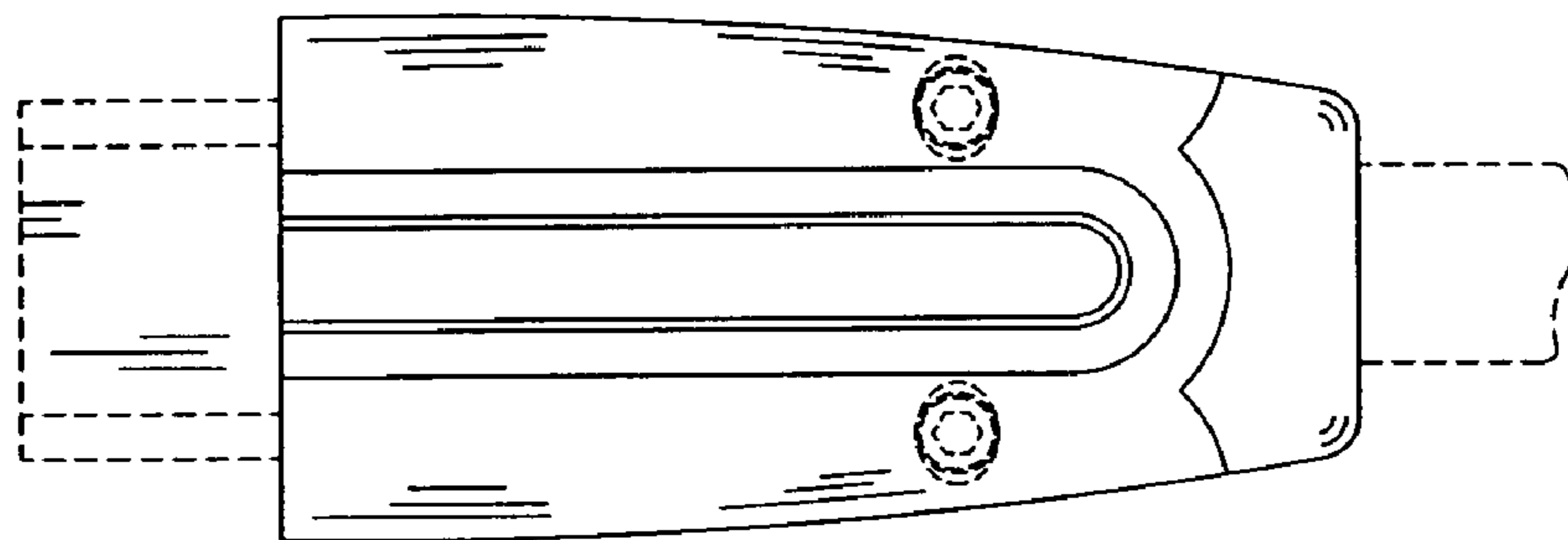


FIG. 2

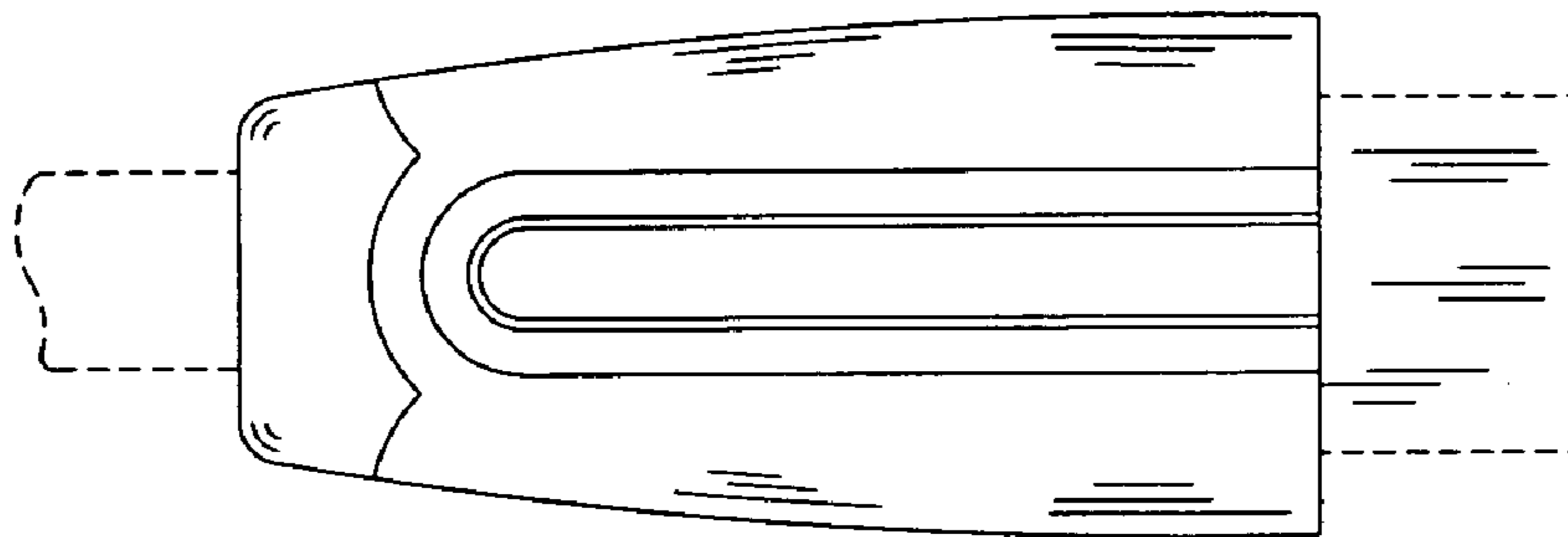


FIG. 3

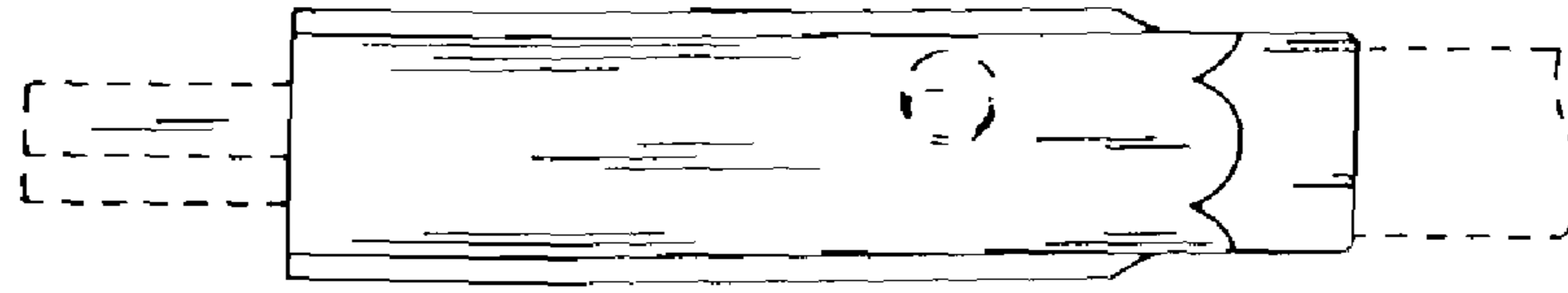


FIG. 4

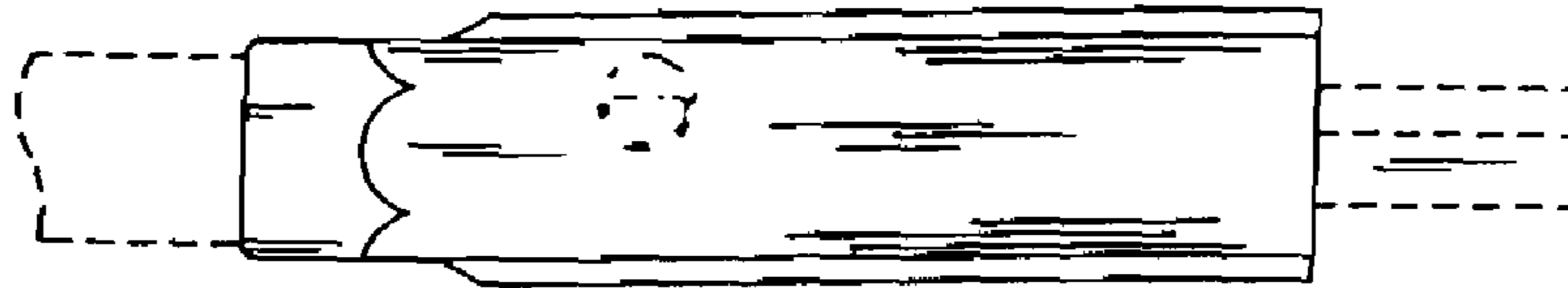


FIG. 5



FIG. 6

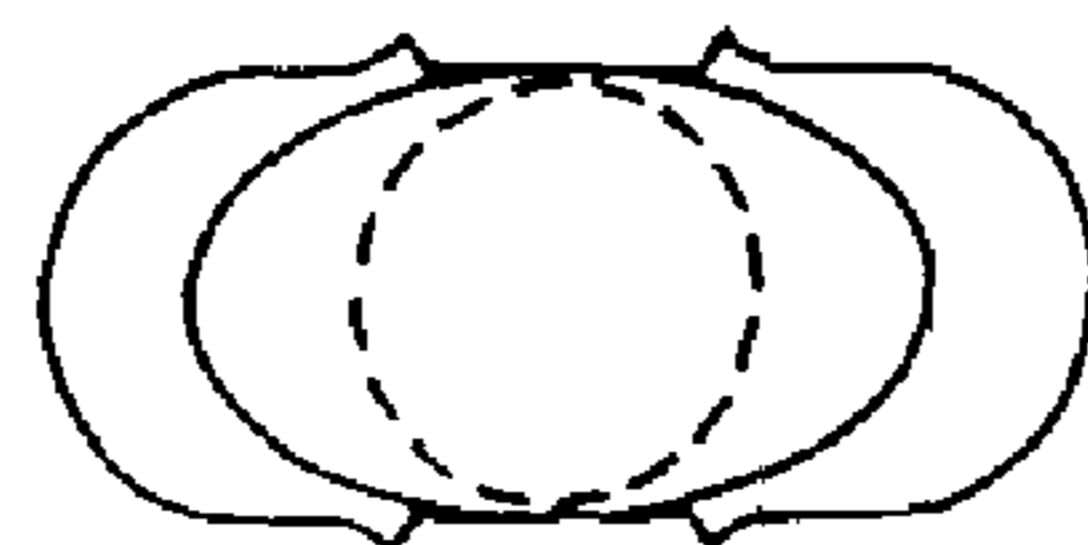


FIG. 7