

US00D549661S

(12) **United States Design Patent**  
**Hull et al.**

(10) **Patent No.: US D549,661 S**

(45) **Date of Patent: \*\* Aug. 28, 2007**

(54) **TRANSITION ADAPTER FOR ELECTRICAL CONDUIT**

(75) Inventors: **Eric G. Hull**, Madison, OH (US);  
**Gregory D. Turcovsky**, Mentor, OH (US); **Dennis P. Revlock, Sr.**, Medina, OH (US)

(73) Assignee: **The Lamson & Sessions Co.**,  
Cleveland, OH (US)

(\*\*) Term: **14 Years**

(21) Appl. No.: **29/267,713**

(22) Filed: **Oct. 19, 2006**

**Related U.S. Application Data**

(60) Division of application No. 29/261,080, filed on Jun. 7, 2006, which is a continuation of application No. 10/903,196, filed on Jul. 30, 2004, now abandoned.

(51) **LOC (8) Cl.** ..... **13-03**

(52) **U.S. Cl.** ..... **D13/151**

(58) **Field of Classification Search** ..... D13/133-134,  
D13/151-156, 184, 199; D8/349, 354, 382;  
D23/259-262; 285/56, 61, 141.1, 175, 179,  
285/207; 439/207

See application file for complete search history.

(56) **References Cited**

**U.S. PATENT DOCUMENTS**

D52,953 S	2/1919	Hubbard et al.	.....	D13/155
D52,954 S	2/1919	Hubbard et al.	.....	D13/155
D152,275 S	1/1949	Ludwig	.....	D13/146
2,788,385 A	4/1957	Doering et al.	.....	174/92
4,822,078 A	4/1989	Snelling	.....	285/423

4,919,462 A	4/1990	Matsui et al.	.....	285/149.1
D332,481 S	1/1993	Petty et al.	.....	D23/262
D397,413 S	8/1998	Sapp	.....	D23/262
5,951,062 A	9/1999	Miller	.....	285/189
6,123,366 A	9/2000	Kiriakopolos et al.	.....	285/179
6,386,888 B1	5/2002	Skopic et al.	.....	439/63
D478,872 S	8/2003	Heggem	.....	D13/152
D484,097 S	12/2003	Drane et al.	.....	D13/139.4
D515,521 S	2/2006	Stewart et al.	.....	D13/184

**OTHER PUBLICATIONS**

Thomas & Betts, Red-Dot Zinc Concrete Slab Inserts, Elbows and Plugs, H9-H10, 2003 (2 pp.).

O-Z/Gedney, Rigid Conduit Fittings, Concrete Slab Electroform Inserts, Nov. 2005 (1 pg).

Undated Kwikon Product Catalog, ENT Form Stubbies (1 pg).

*Primary Examiner*—Daniel Bui

(74) *Attorney, Agent, or Firm*—Jones Day

(57) **CLAIM**

The ornamental design for a transition adapter for electrical conduit, as shown and described.

**DESCRIPTION**

FIG. 1 is a top perspective view of a transition adapter for electrical conduit, showing our new design;

FIG. 2 is a bottom perspective view thereof;

FIG. 3 is a side elevation view thereof, the opposite side being a mirror image thereto;

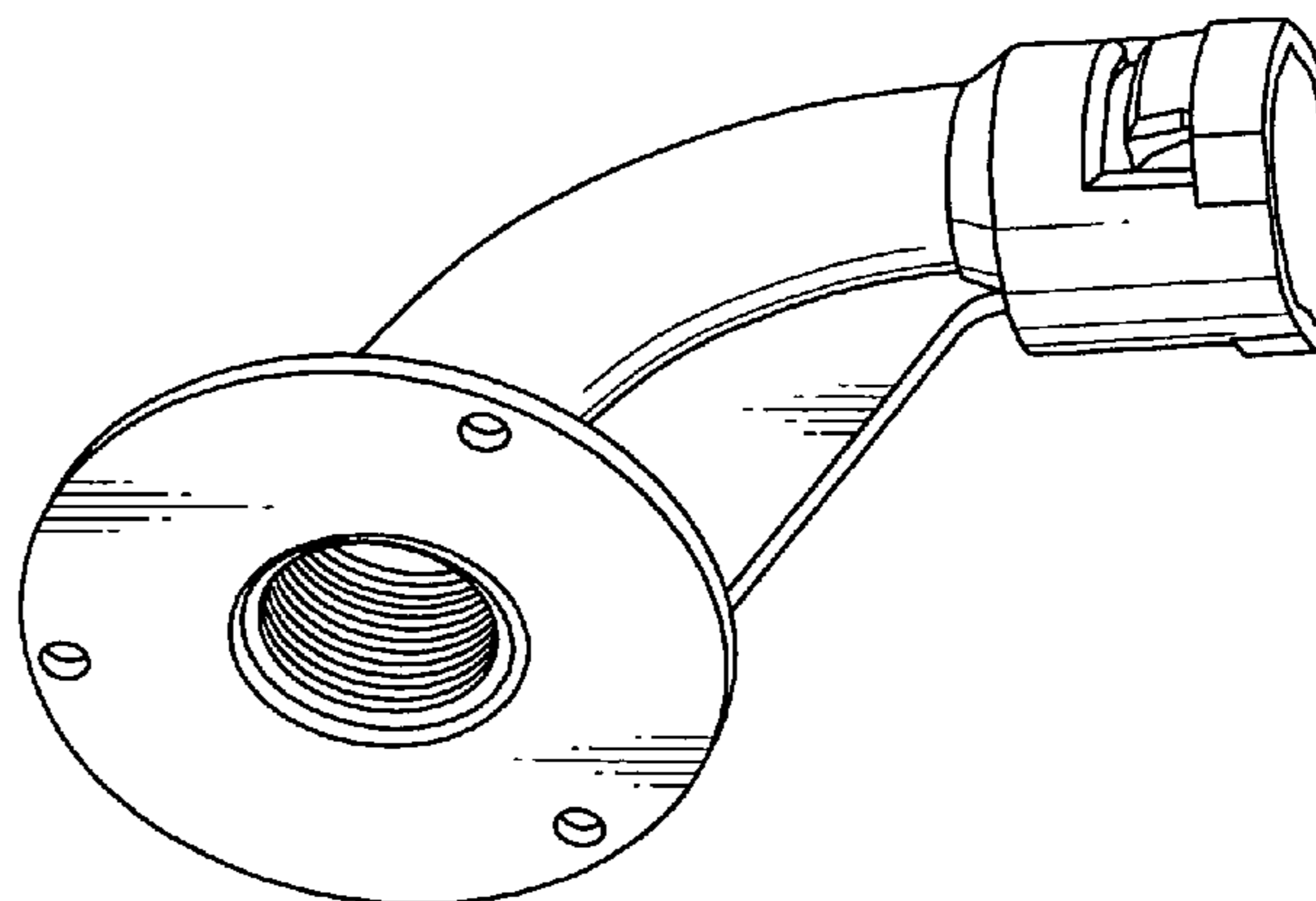
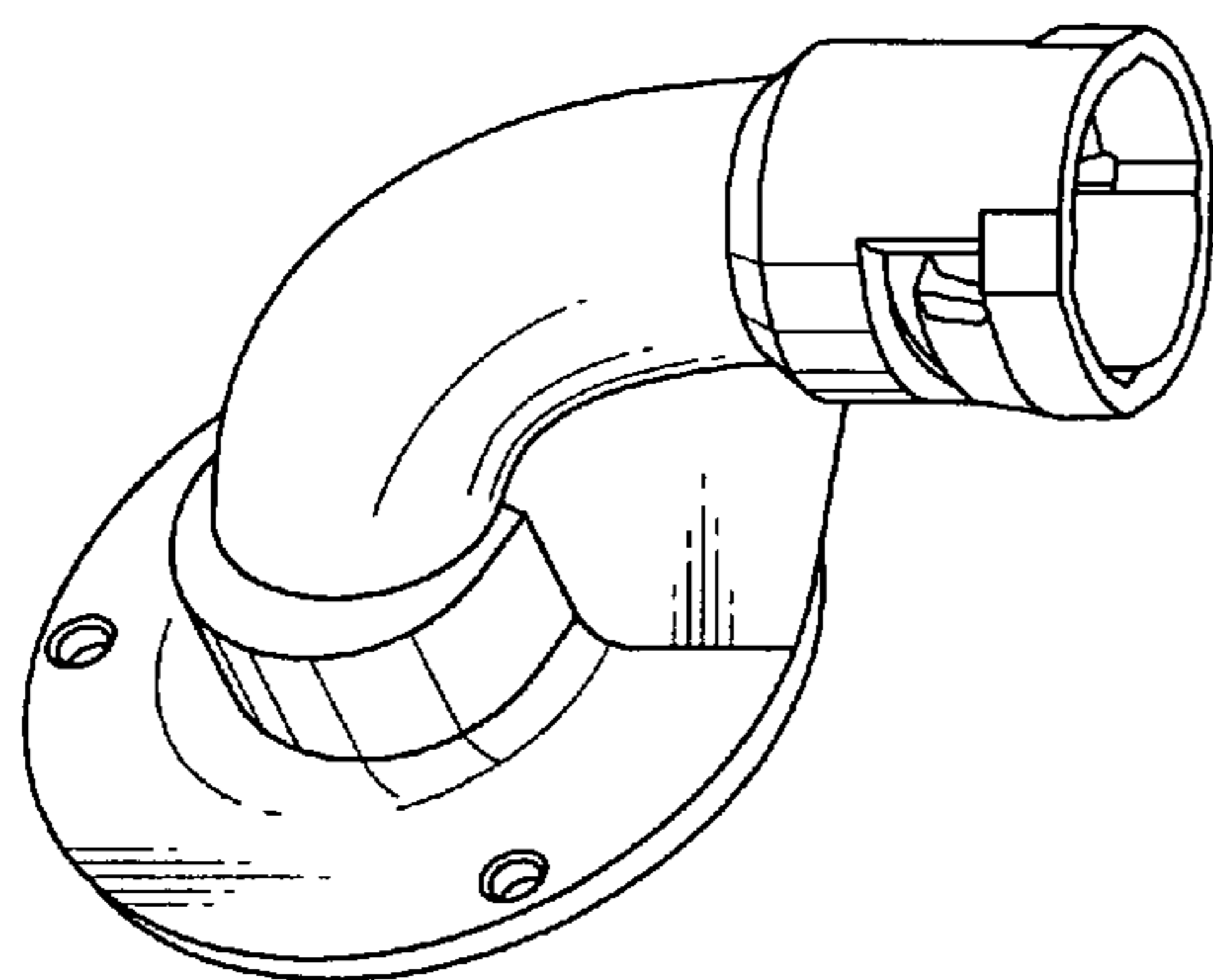
FIG. 4 is a top plan view thereof;

FIG. 5 is a bottom plan view thereof;

FIG. 6 is a front elevation view thereof; and,

FIG. 7 is a rear elevation view thereof.

**1 Claim, 3 Drawing Sheets**



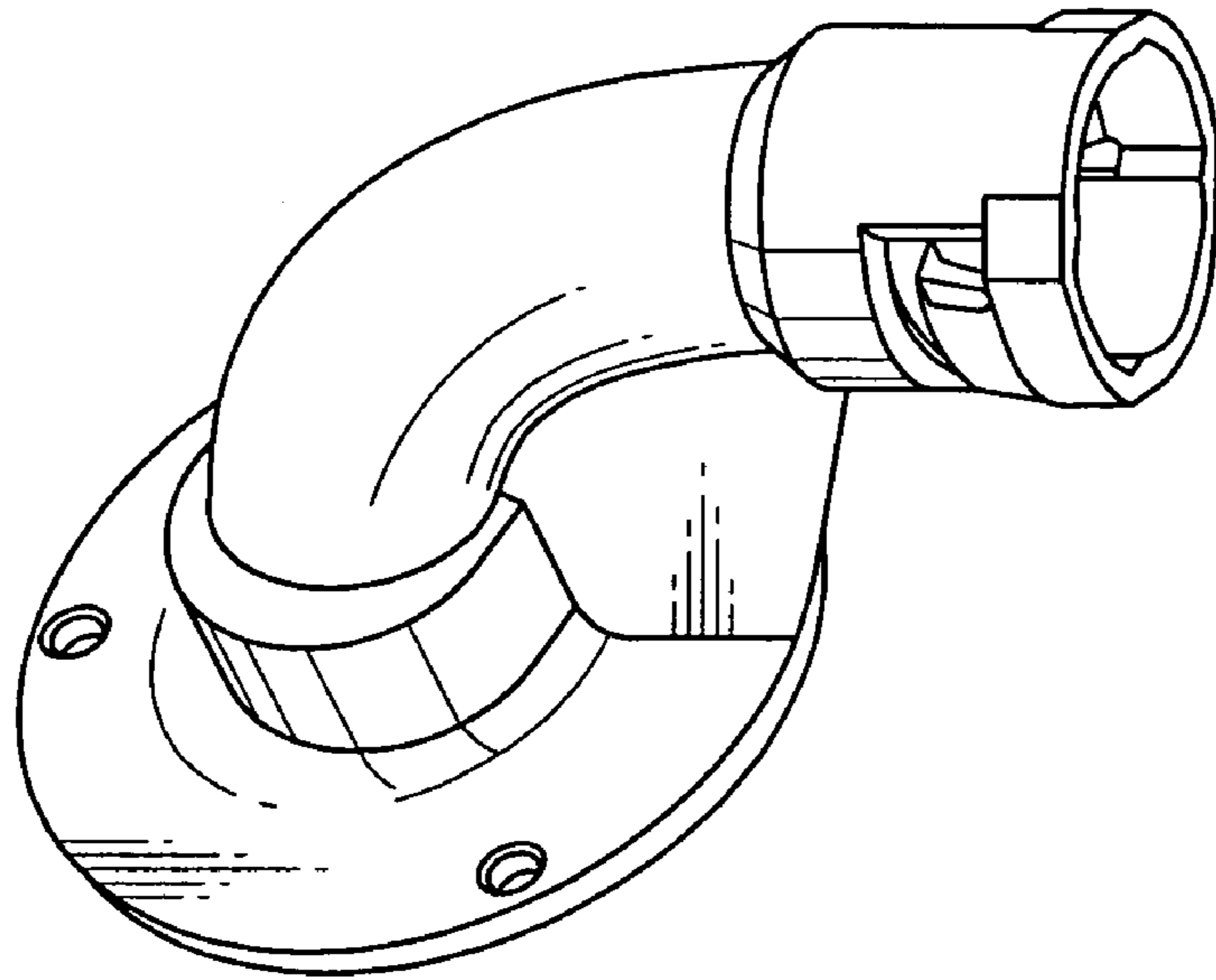


FIG. 1

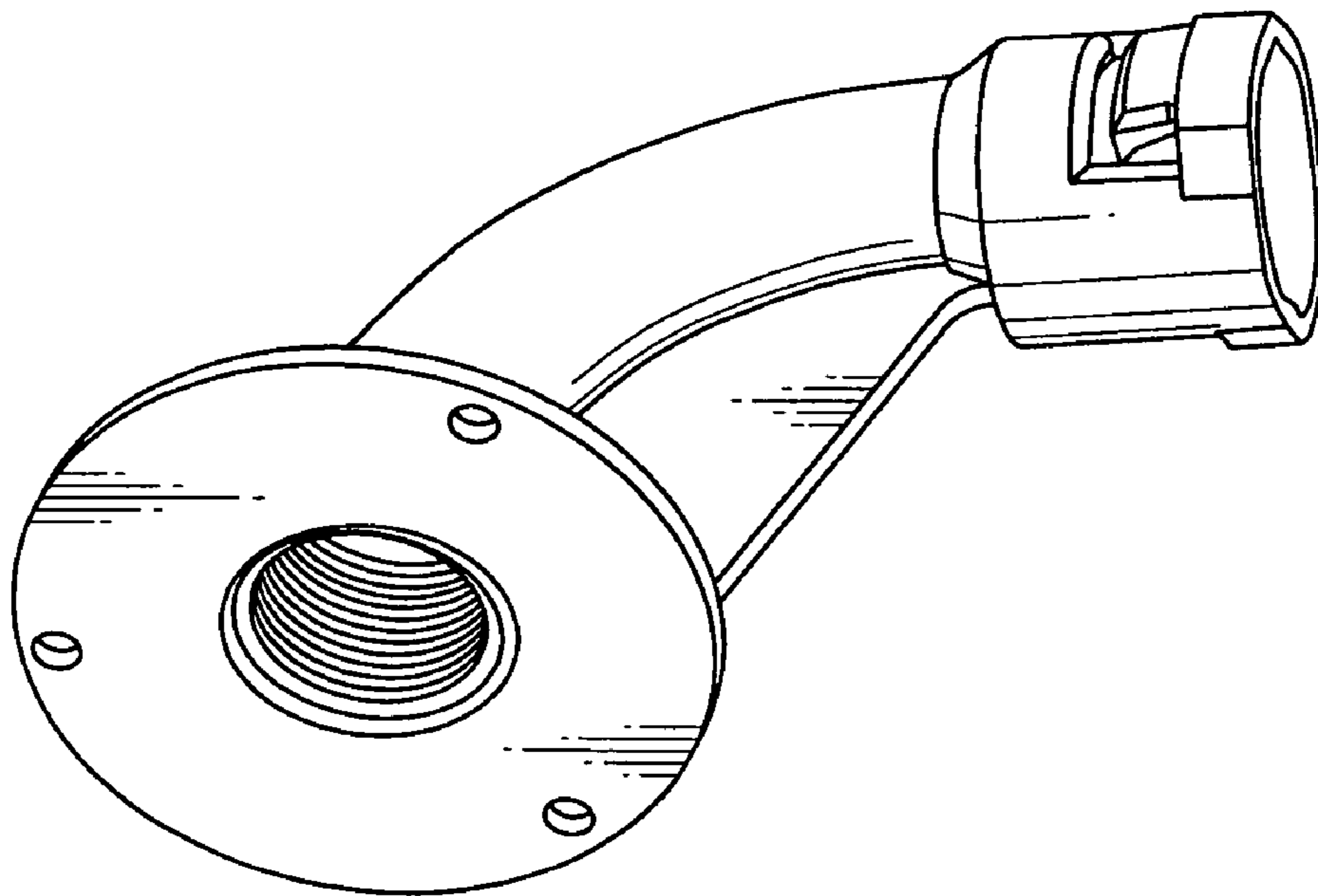


FIG. 2

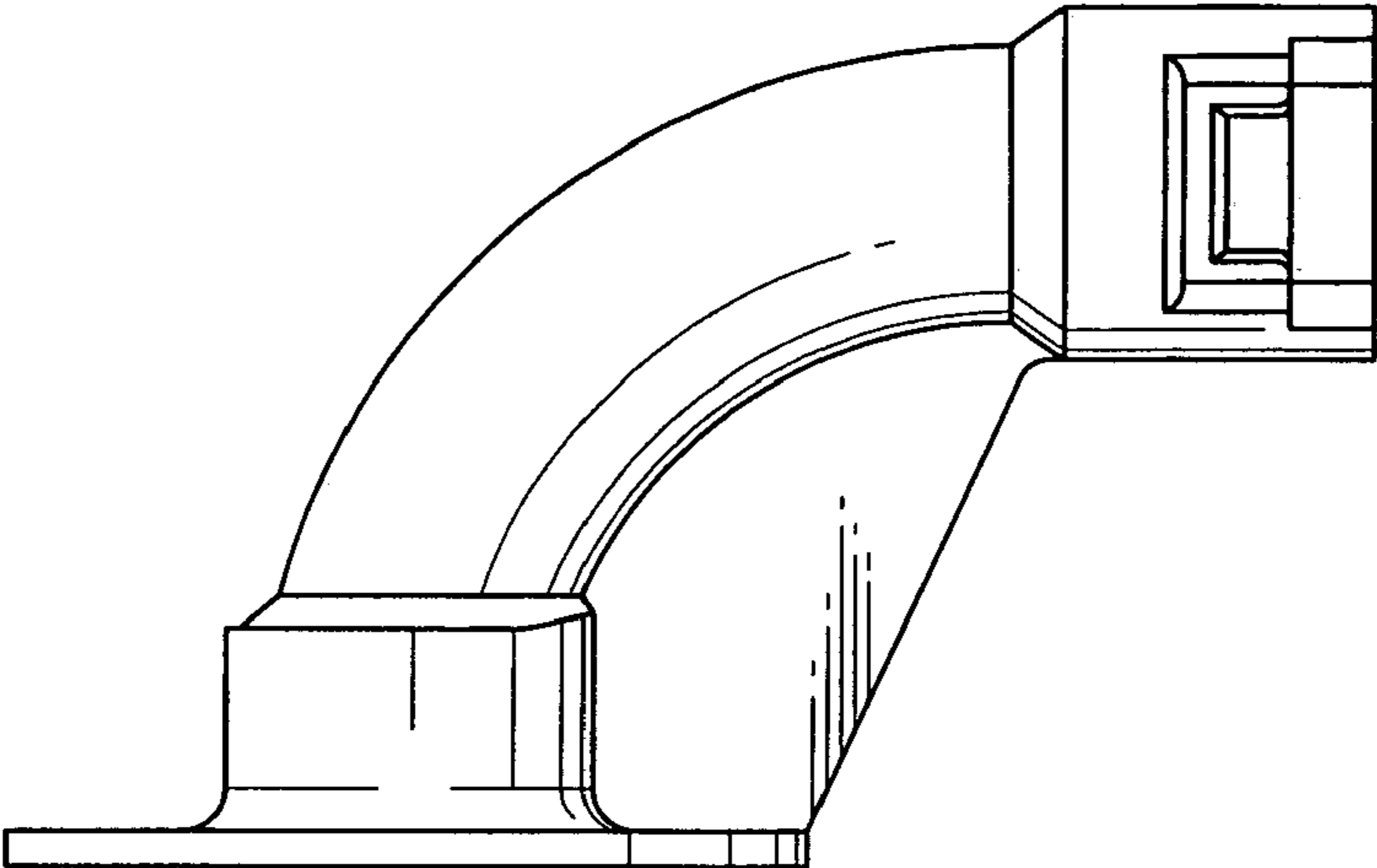


FIG. 3

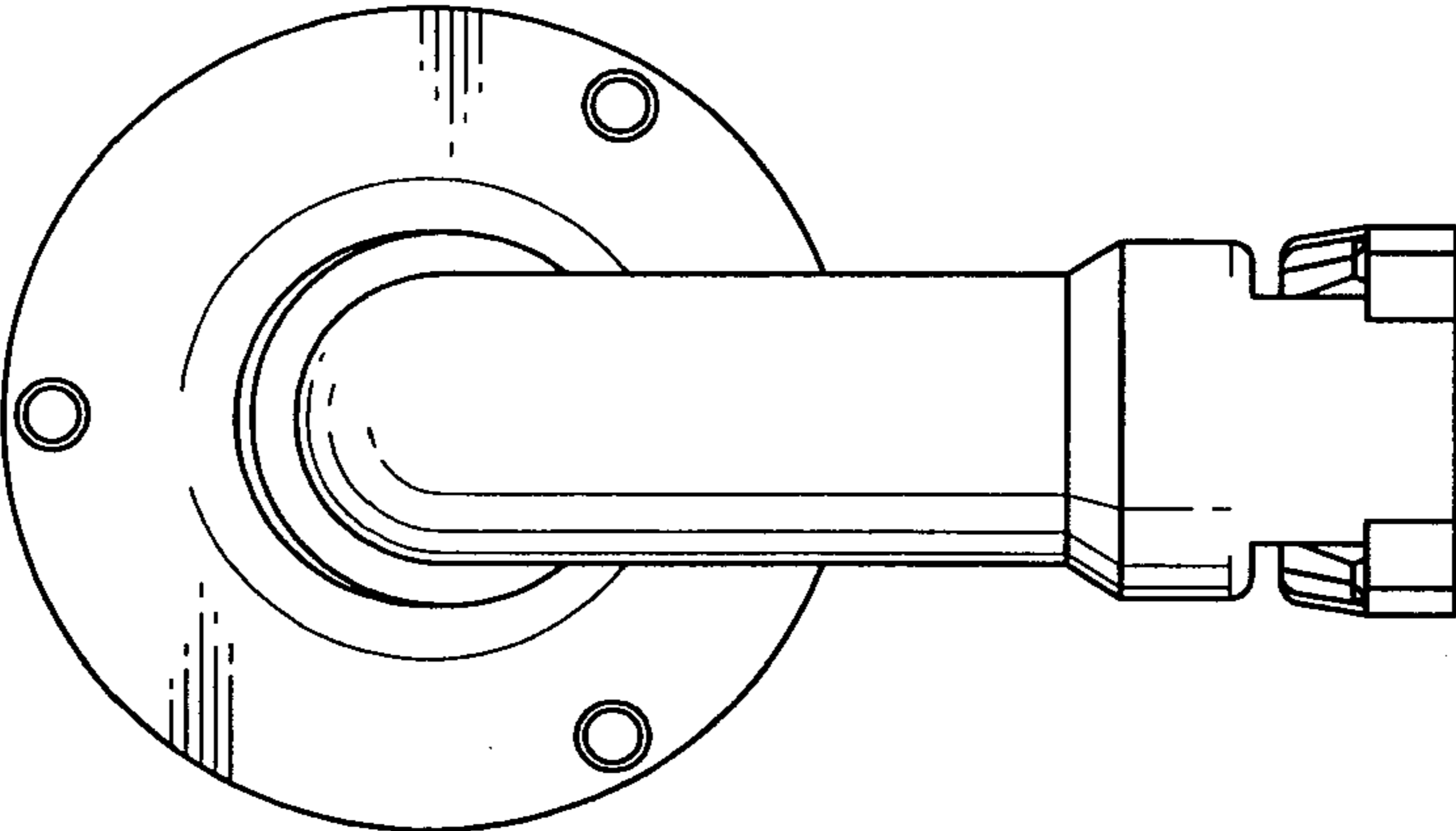


FIG. 4

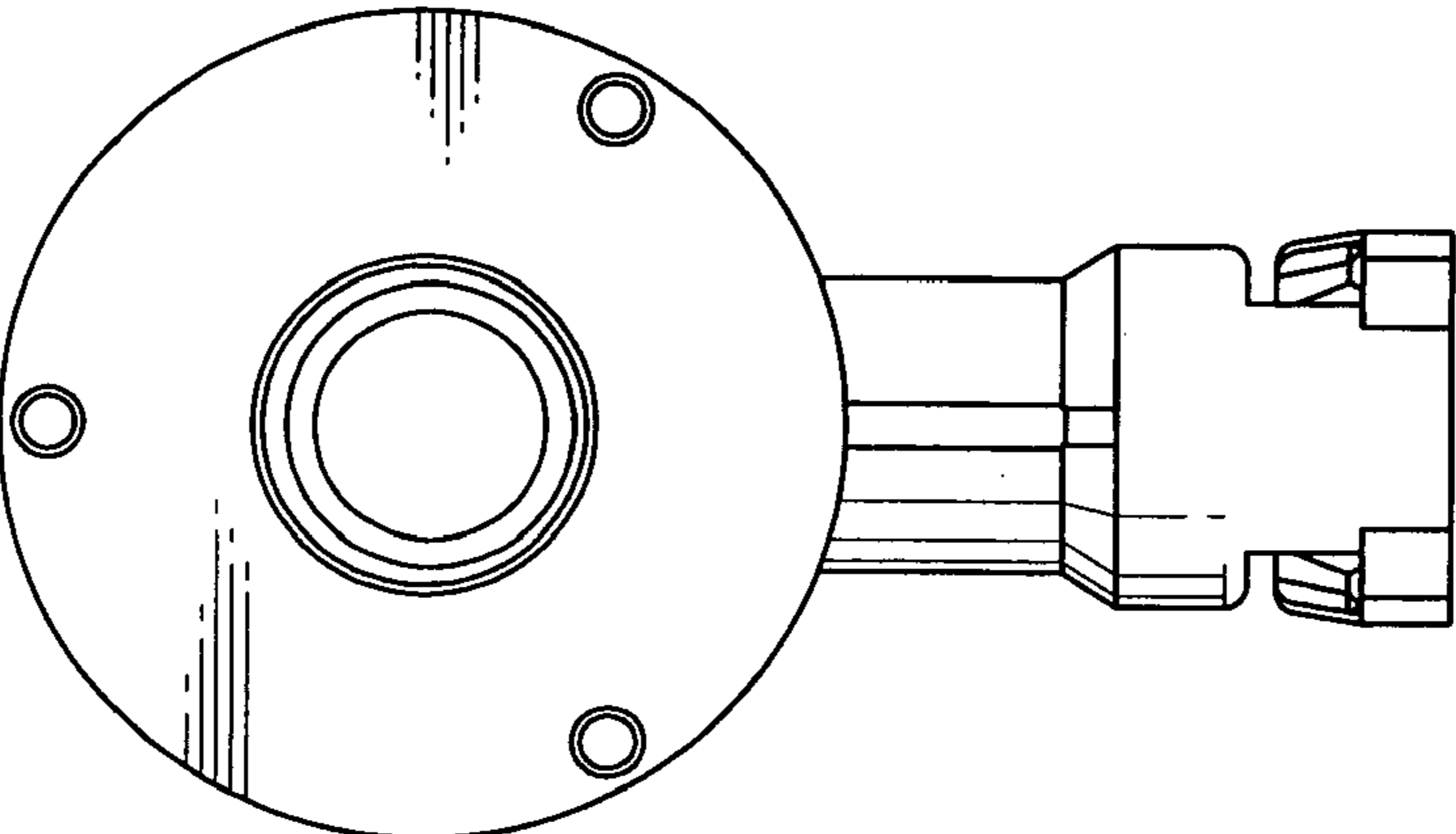


FIG. 5

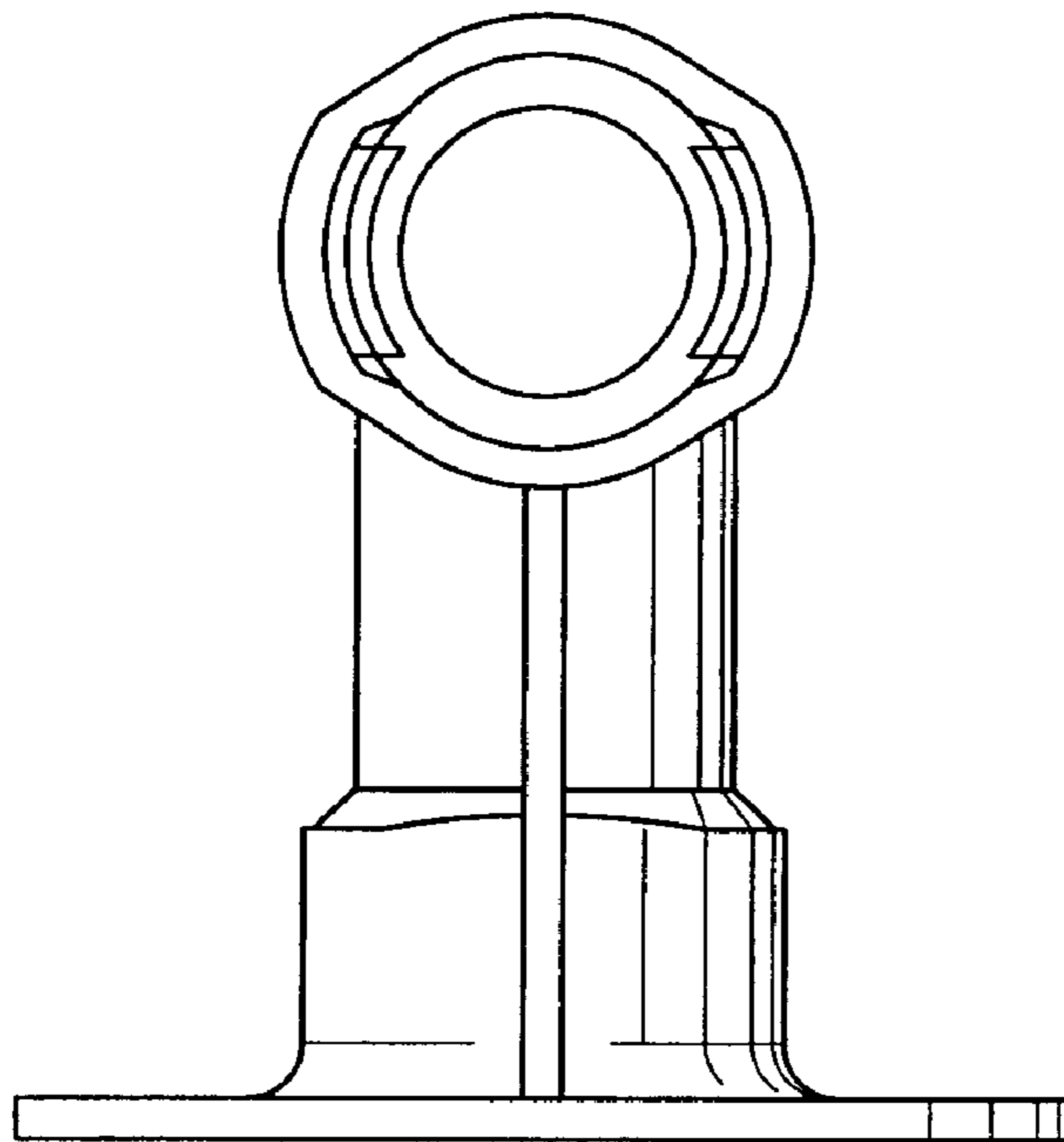


FIG. 6

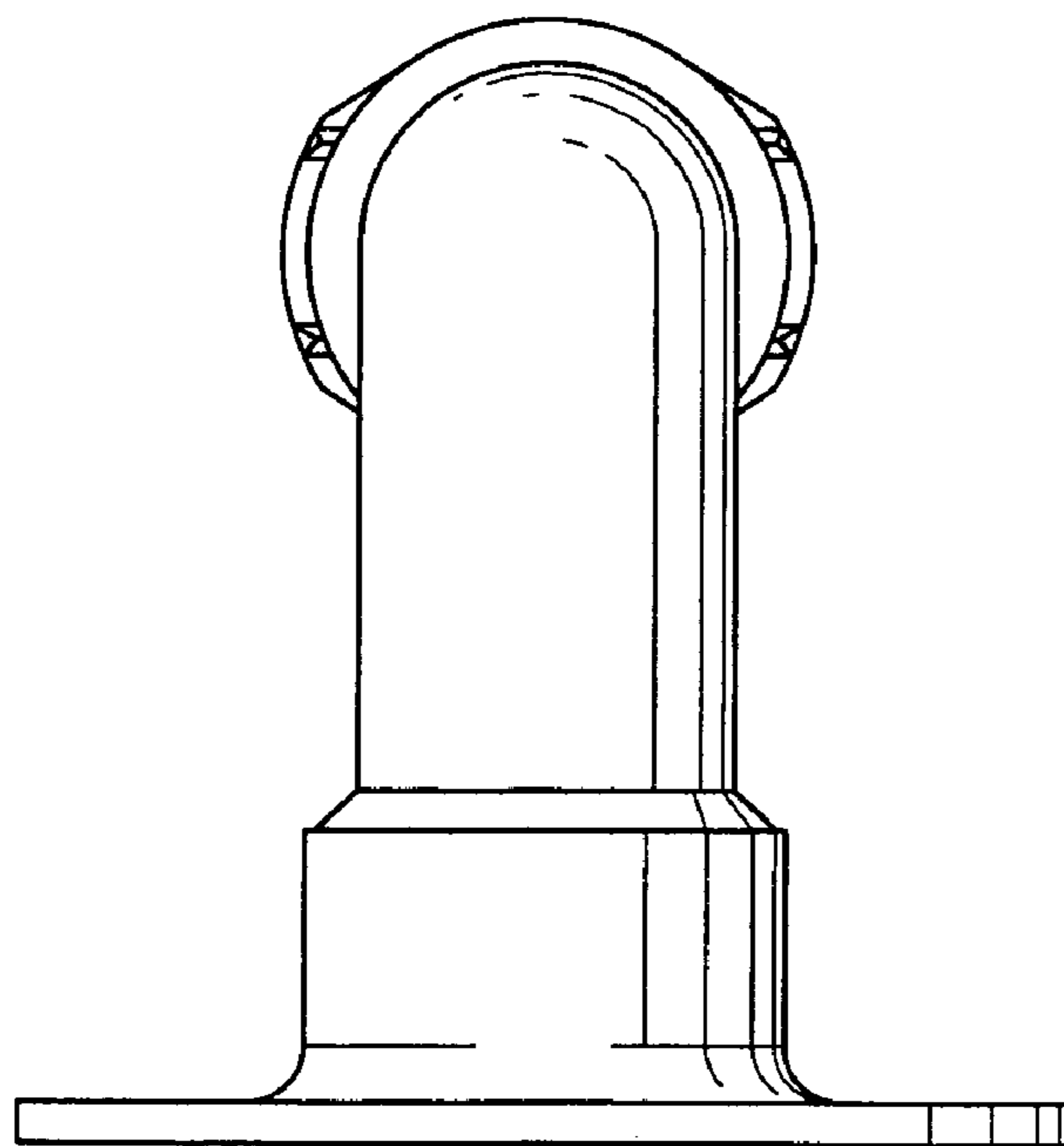


FIG. 7