



(12) **United States Design Patent**
Zenri et al.

(10) **Patent No.:** **US D549,660 S**
(45) **Date of Patent:** **** Aug. 28, 2007**

(54) **CABLE COMPONENTS FOR ELECTRONIC GAME MACHINE**

(75) Inventors: **Yuko Zenri**, Kyoto (JP); **Masaki Amano**, Kyoto (JP)

(73) Assignee: **Nintendo Co., Ltd.**, Kyoto (JP)

(**) Term: **14 Years**

(21) Appl. No.: **29/258,747**

(22) Filed: **Apr. 27, 2006**

(51) **LOC (8) Cl.** **13-03**

(52) **U.S. Cl.** **D13/147; D13/154**

(58) **Field of Classification Search** D13/133,
D13/146-147, 153-154, 184, 199; D14/496;
D21/333, 324, 385; 439/352, 358, 502, 607-610,
439/680

See application file for complete search history.

(56) **References Cited**

U.S. PATENT DOCUMENTS

D381,628 S 7/1997 Ashida

(Continued)

Primary Examiner—Daniel Bui

(74) *Attorney, Agent, or Firm*—Nixon & Vanderhye, P.C.

(57) **CLAIM**

The ornamental design for cable components for electronic game machine, as shown and described.

DESCRIPTION

FIG. 1 is a front, top and left side perspective view of the first component of a cable components for electronic game machine, showing our new design;

FIG. 2 is a rear, bottom and right perspective view thereof;

FIG. 3 is a top plan view thereof;

FIG. 4 is a bottom plan view thereof;

FIG. 5 is a front elevation view thereof, a rear elevation view being a mirror image thereof;

FIG. 6 is a left side elevation view thereof;

FIG. 7 is a right side elevation view thereof;

FIG. 8 is a top, rear and right side perspective view of the second component of cable components for electronic game machine, showing our new design;

FIG. 9 is a bottom, front and left perspective view thereof;

FIG. 10 is a top plan view thereof;

FIG. 11 is a bottom plan view thereof;

FIG. 12 is a front elevation view thereof, a rear elevation view being a mirror image thereof;

FIG. 13 is a left side elevation view thereof;

FIG. 14 is a right side elevation view thereof;

FIG. 15 is a front, top, and left side perspective view of cable components for electronic game machine, showing our new design;

FIG. 16 is a rear, bottom and right perspective view thereof;

FIG. 17 is a top plan view thereof;

FIG. 18 is a bottom plan view thereof;

FIG. 19 is a front elevation view thereof,

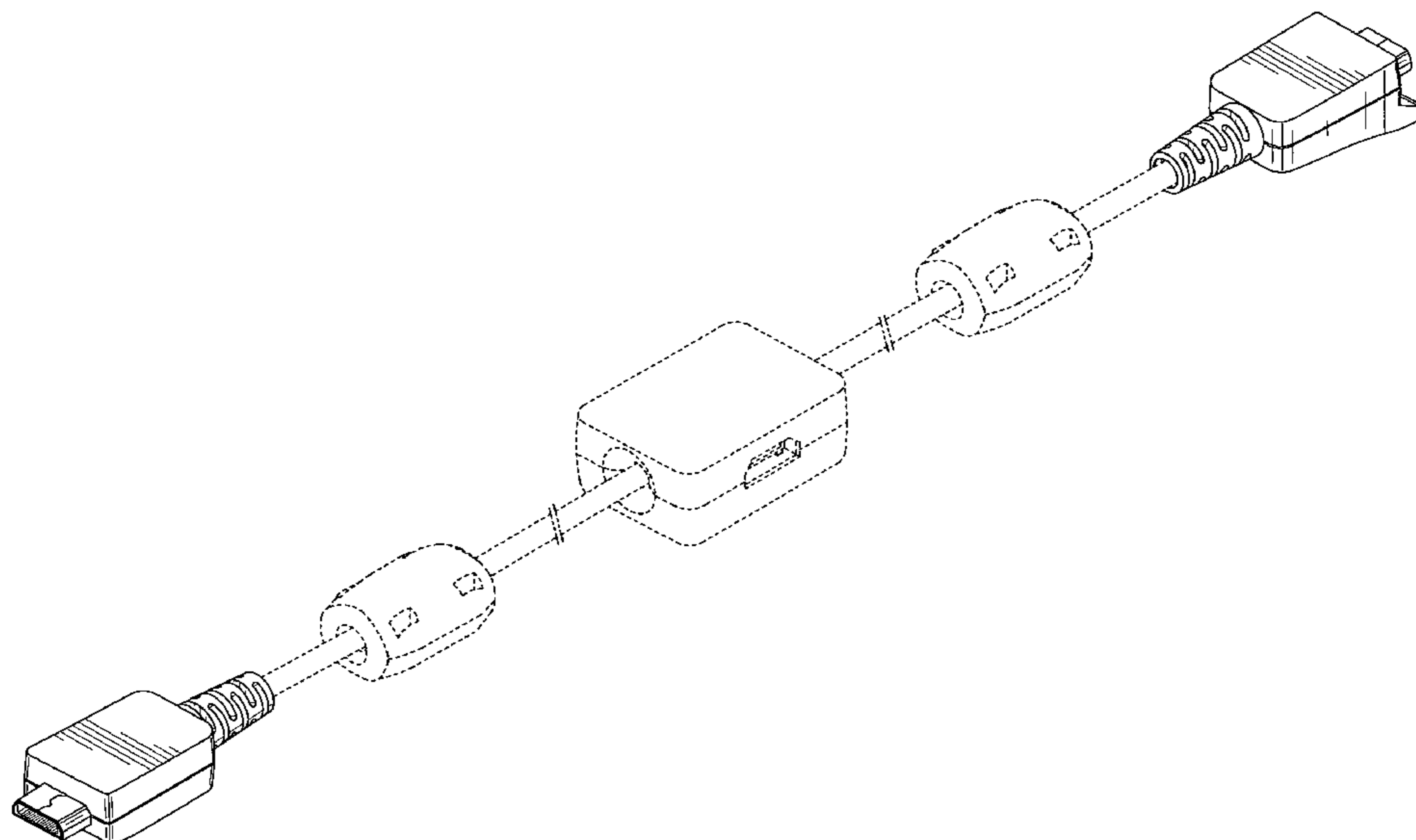
FIG. 20 is a rear elevation view thereof,

FIG. 21 is a left side elevation view thereof; and,

FIG. 22 is a right side elevation view thereof.

Subject matter in FIGS. 15-22 shown in broken lines is for illustrative purposes only and forms no part of the claimed design.

1 Claim, 6 Drawing Sheets



US D549,660 S

Page 2

U.S. PATENT DOCUMENTS

D381,629 S	*	7/1997	Goto	D13/147	D454,837 S	3/2002	Ibuki et al.	
D409,149 S	*	5/1999	Oikawa	D13/153	D456,008 S	4/2002	Kawanobe et al.	
D416,869 S	*	11/1999	Tsai	D13/153	D468,264 S	1/2003	Sugino	
D425,860 S	*	5/2000	Goto	D13/133	D468,692 S	1/2003	Ashida et al.	
D447,734 S	*	9/2001	Nakashima et al.	D13/153	D475,018 S	5/2003	Ashida et al.	
D451,473 S	*	12/2001	Goto	D13/147	2005/0070154 A1*	3/2005	Milan	439/502
D453,320 S		2/2002	Sugino		2005/0215108 A1*	9/2005	Chen	439/409
D453,498 S		2/2002	Fujita					

* cited by examiner

FIG. 1

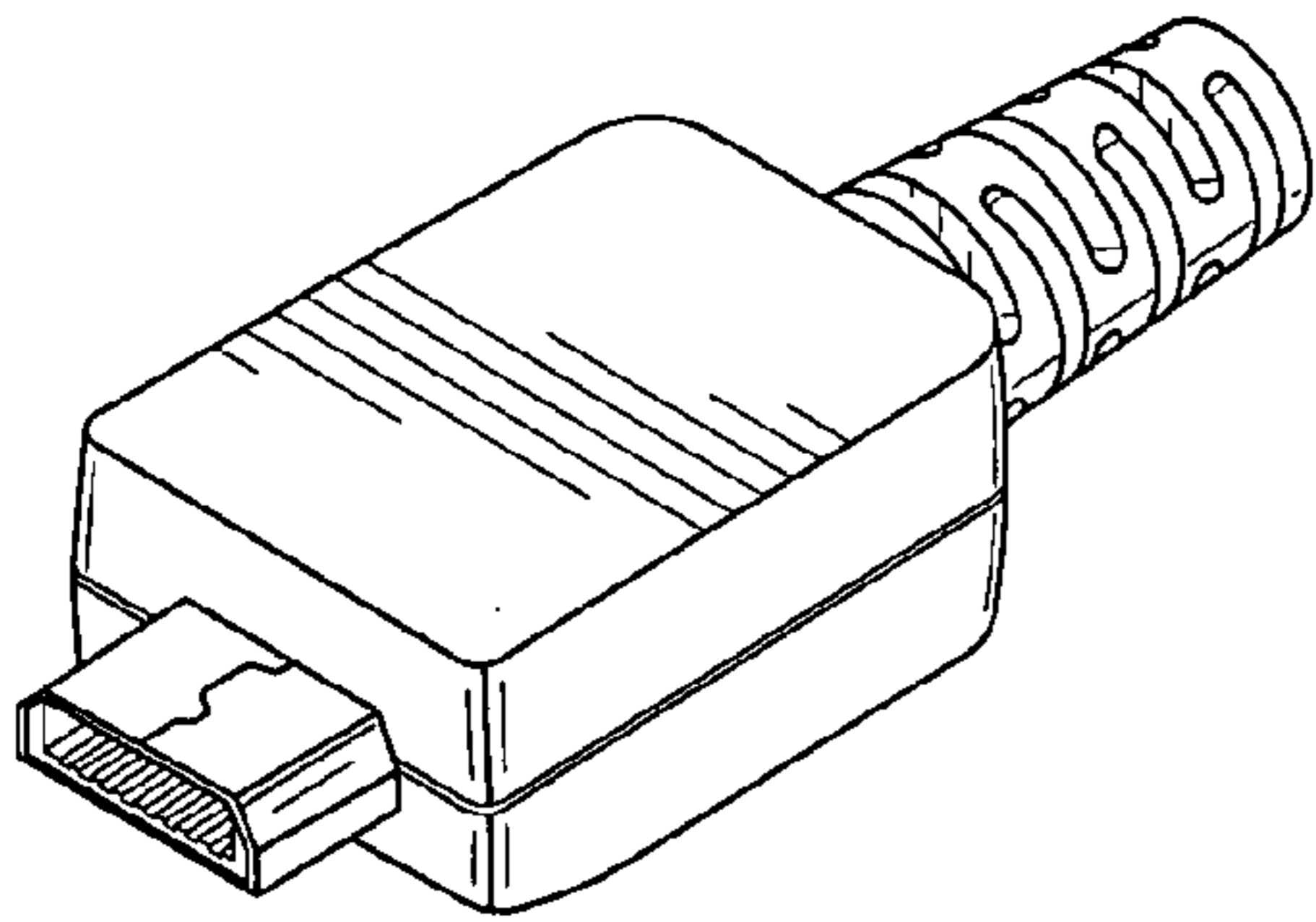


FIG. 2

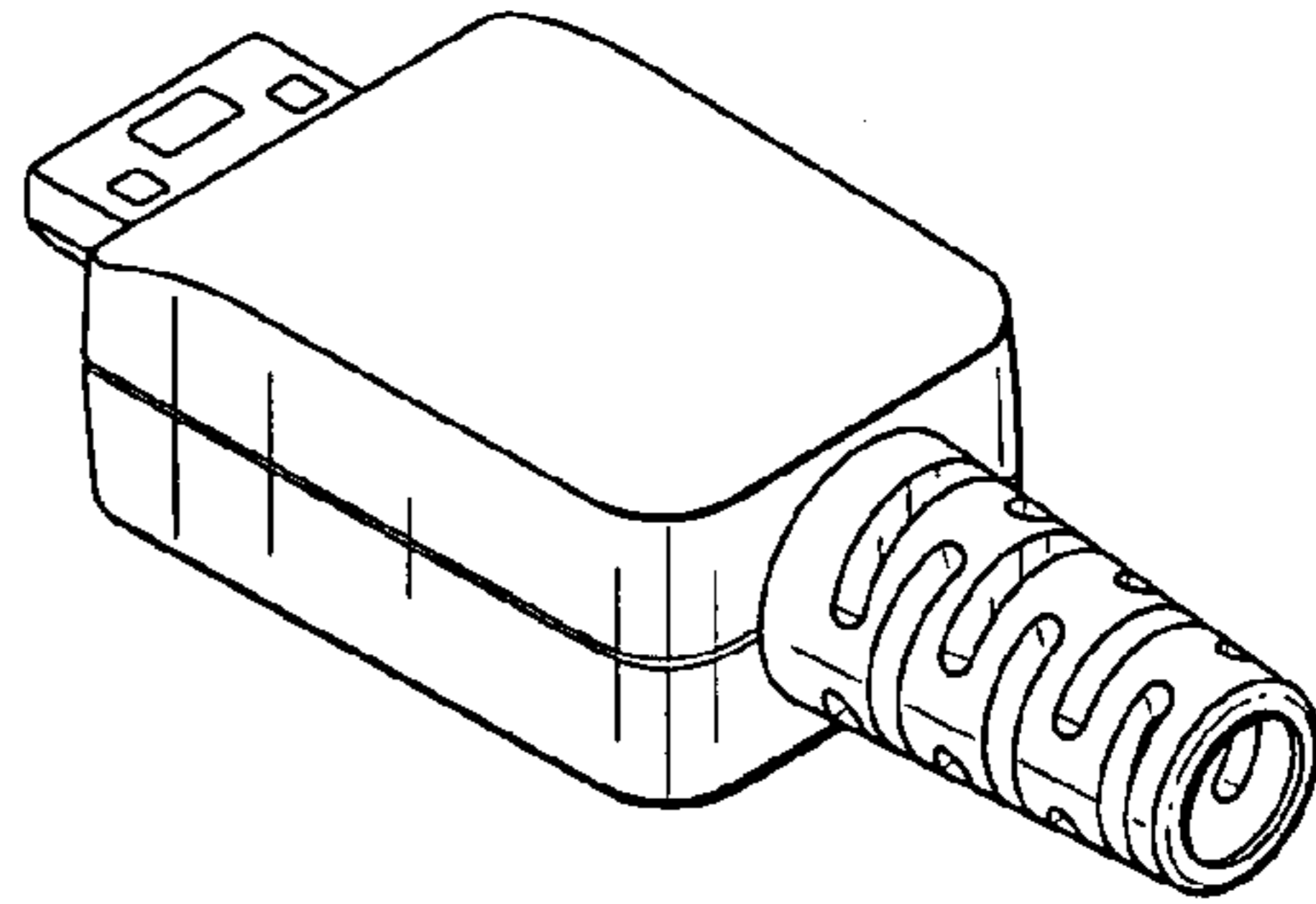


FIG. 3

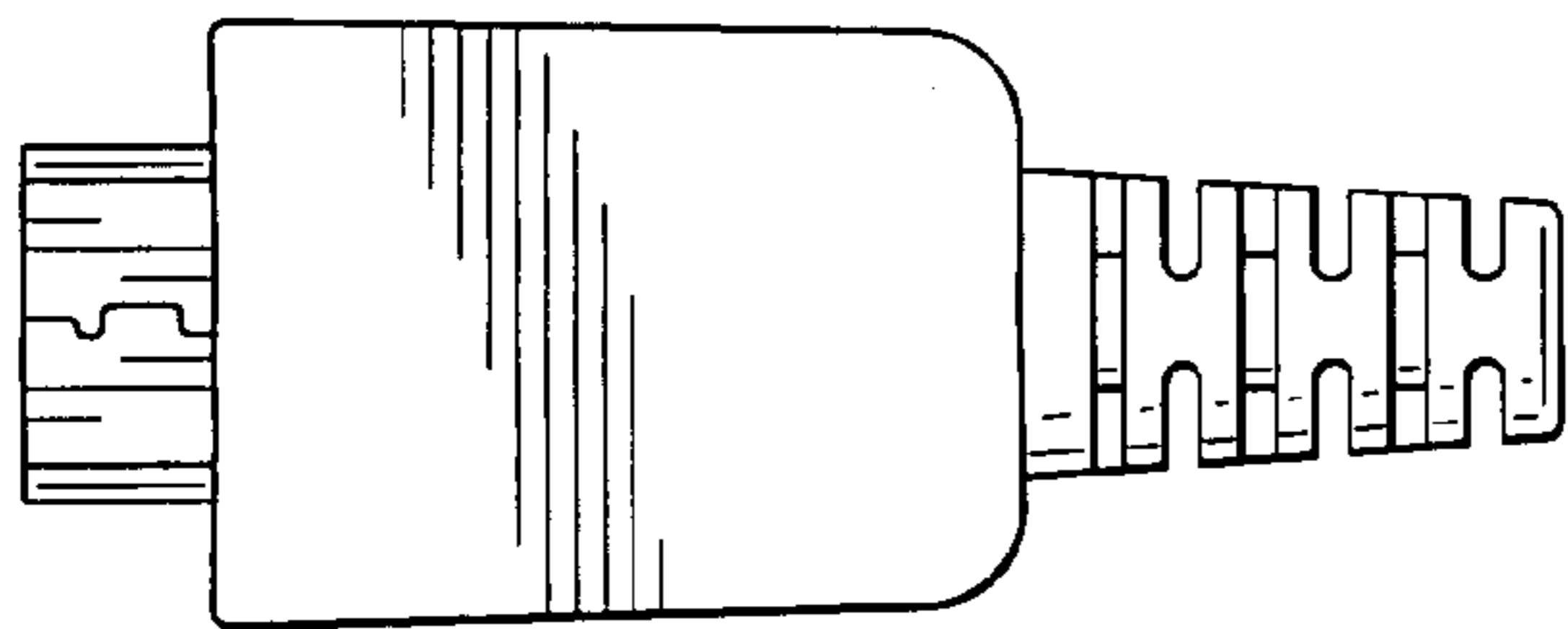


FIG. 4

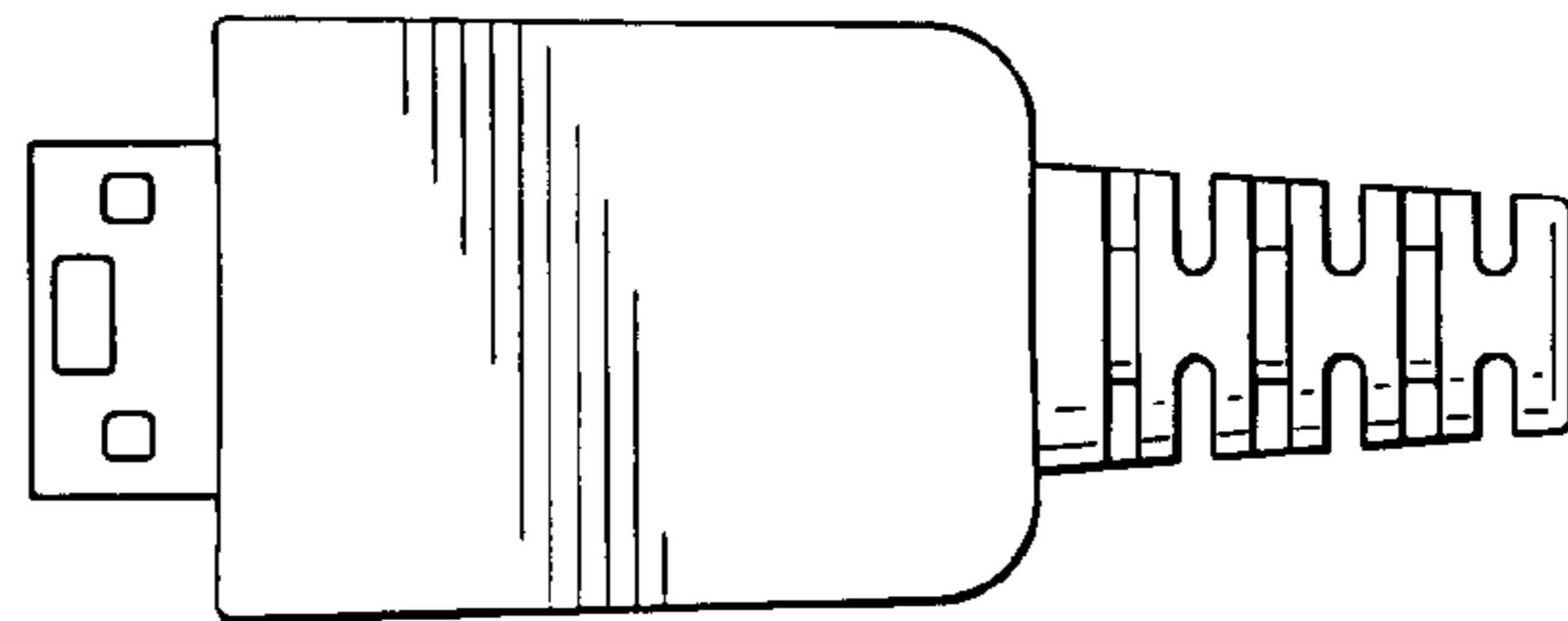


FIG. 5

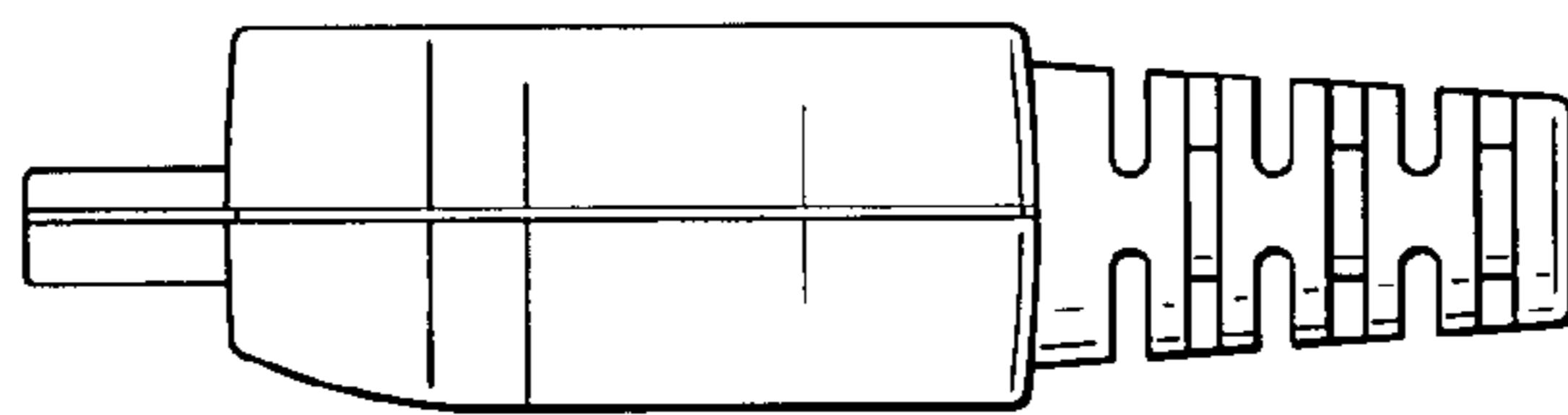


FIG. 6

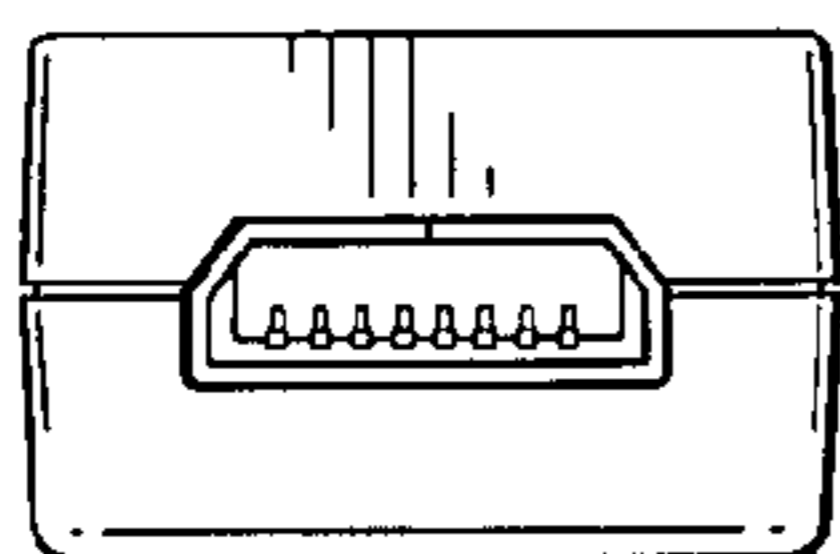


FIG. 7

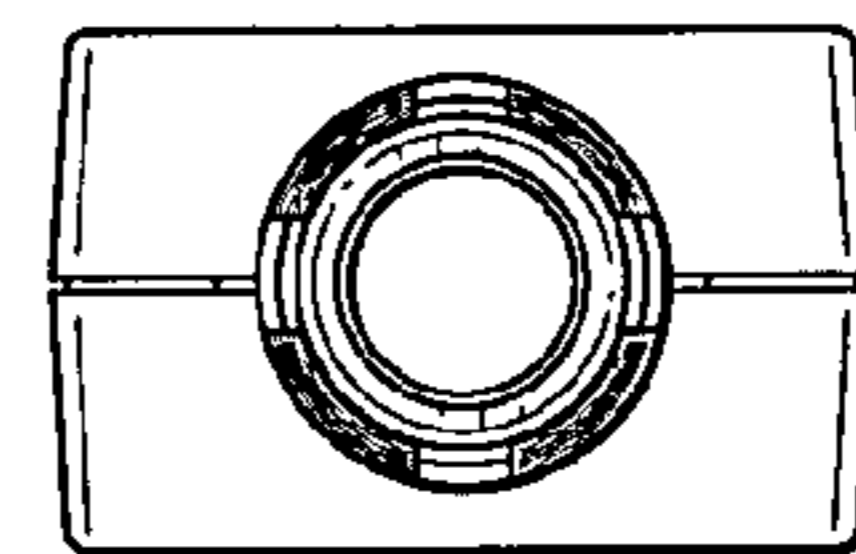


FIG. 8

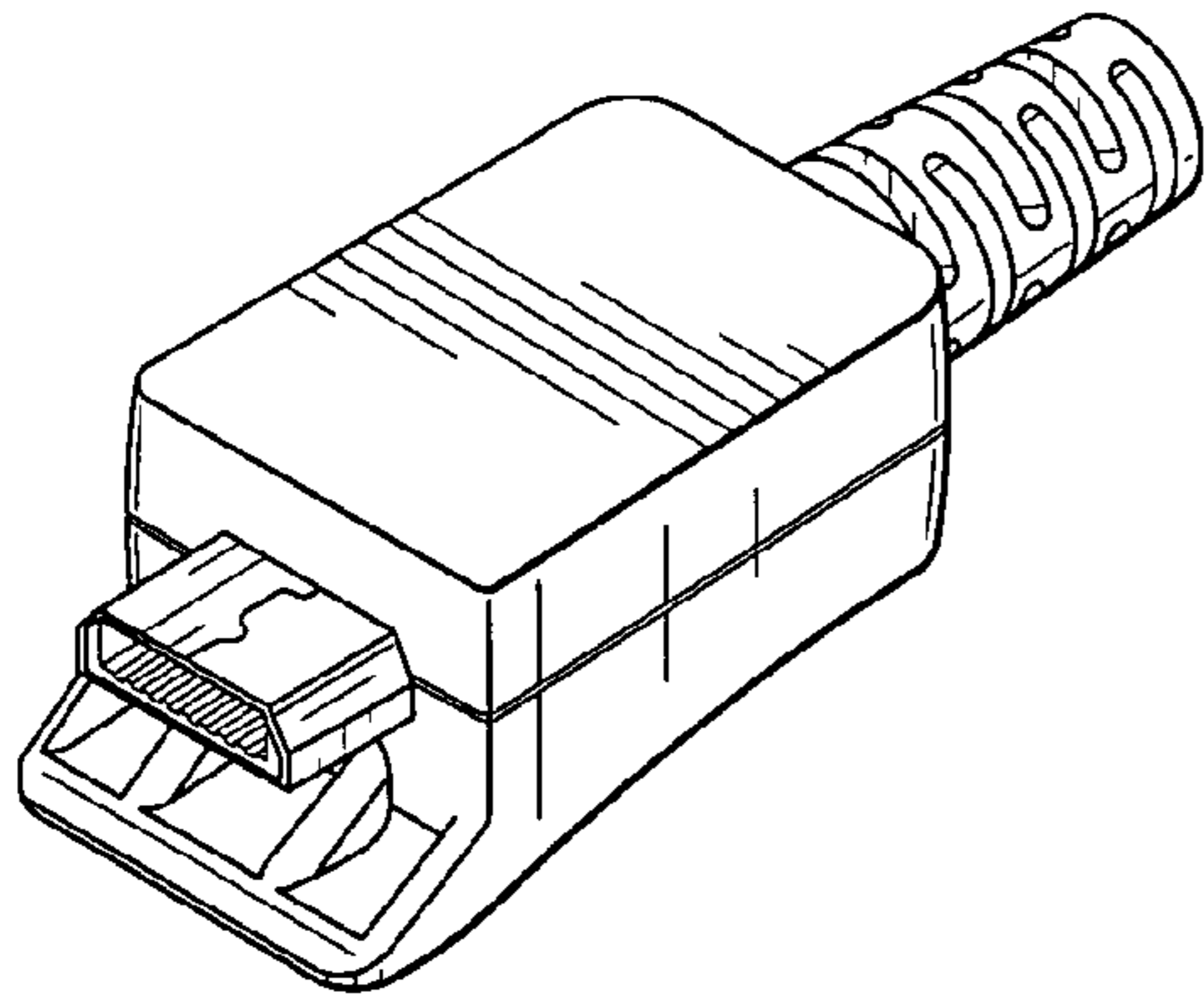


FIG. 9

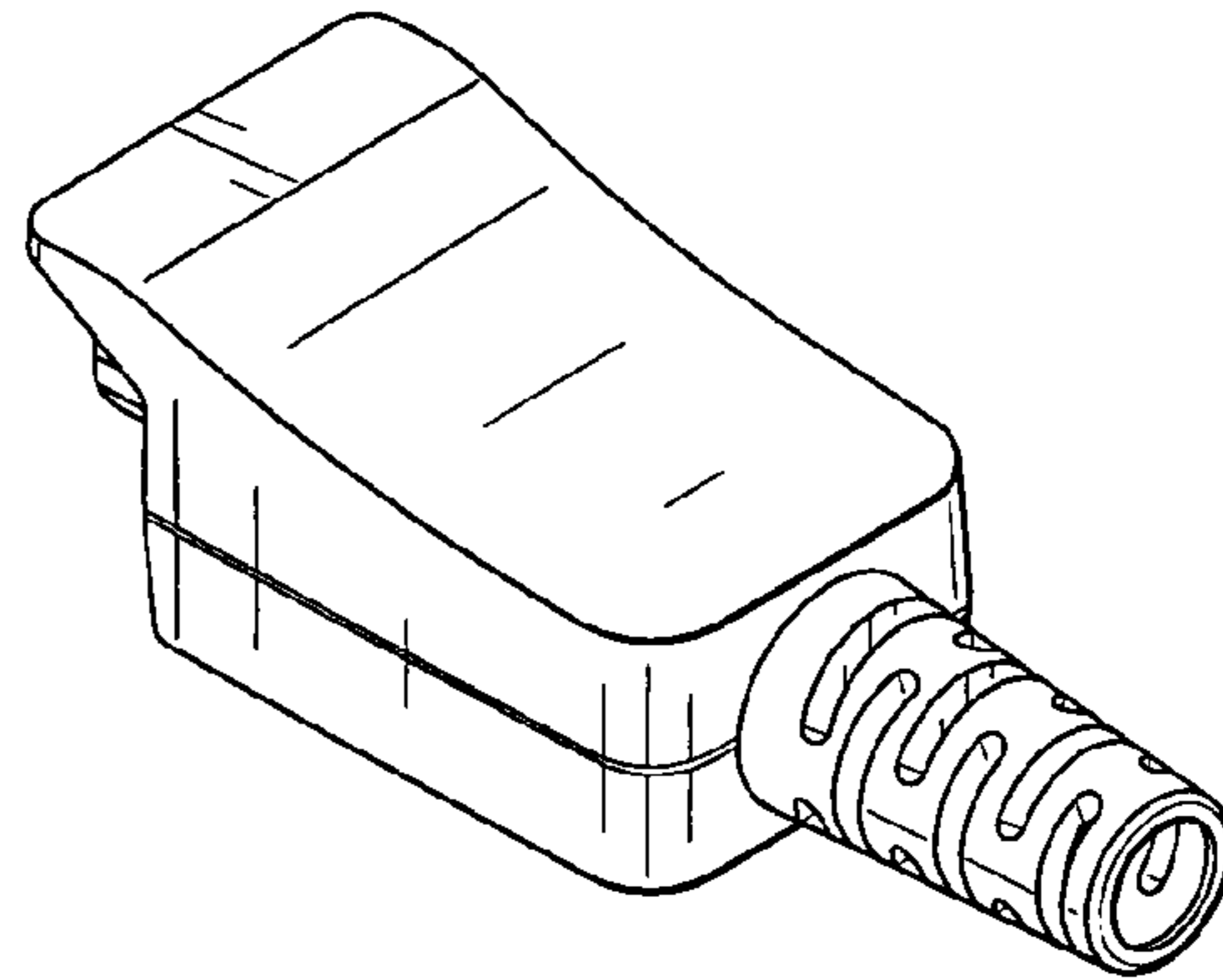


FIG. 10

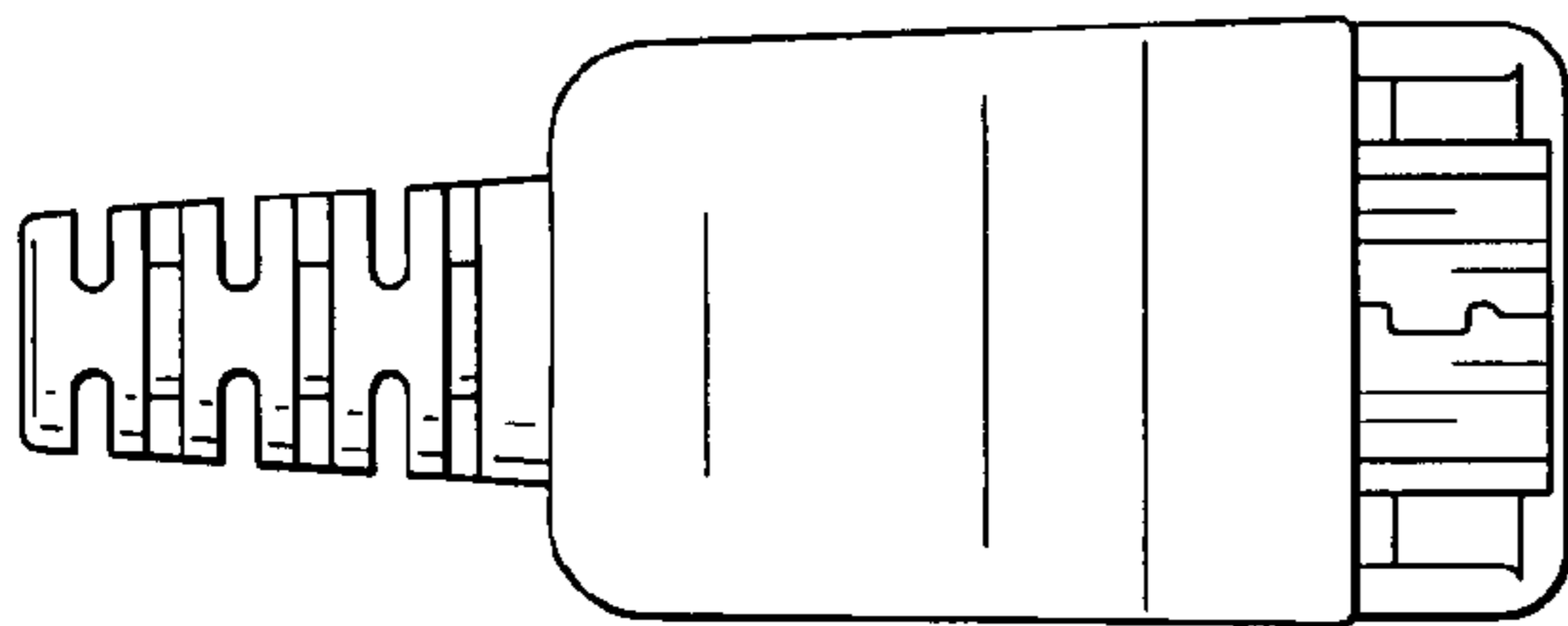


FIG. 11

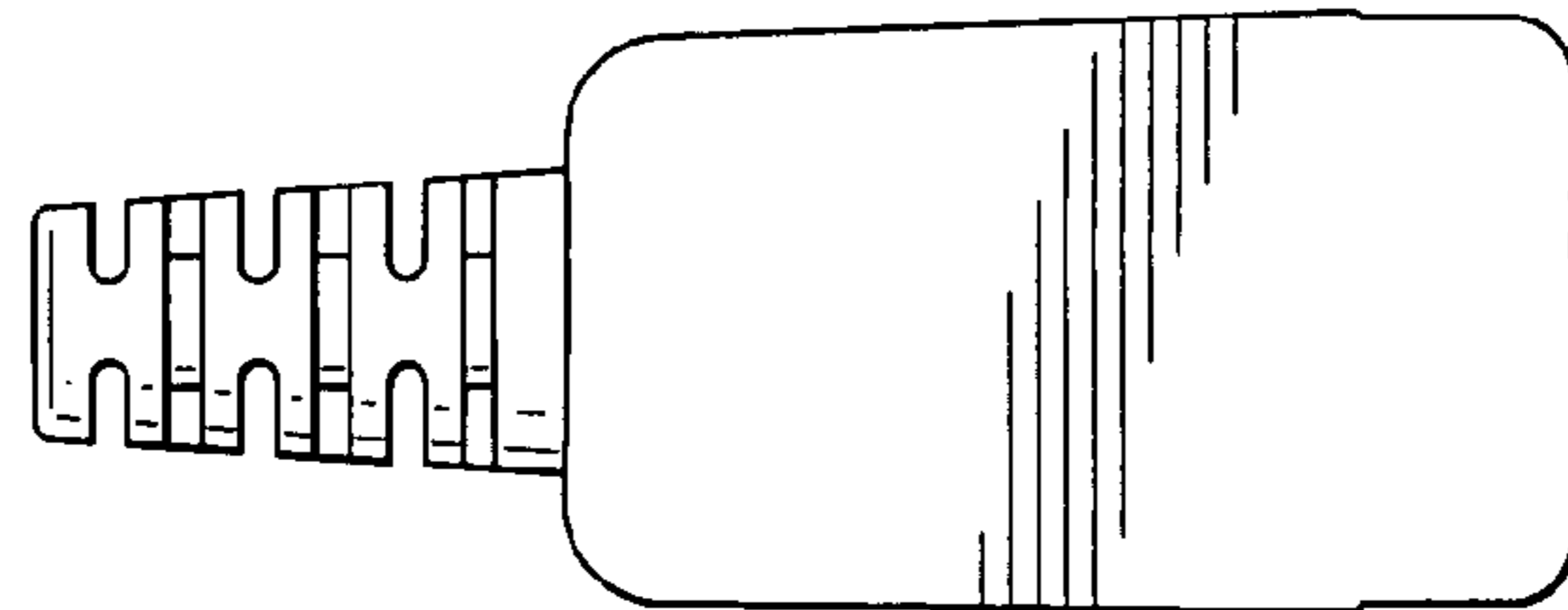


FIG. 12

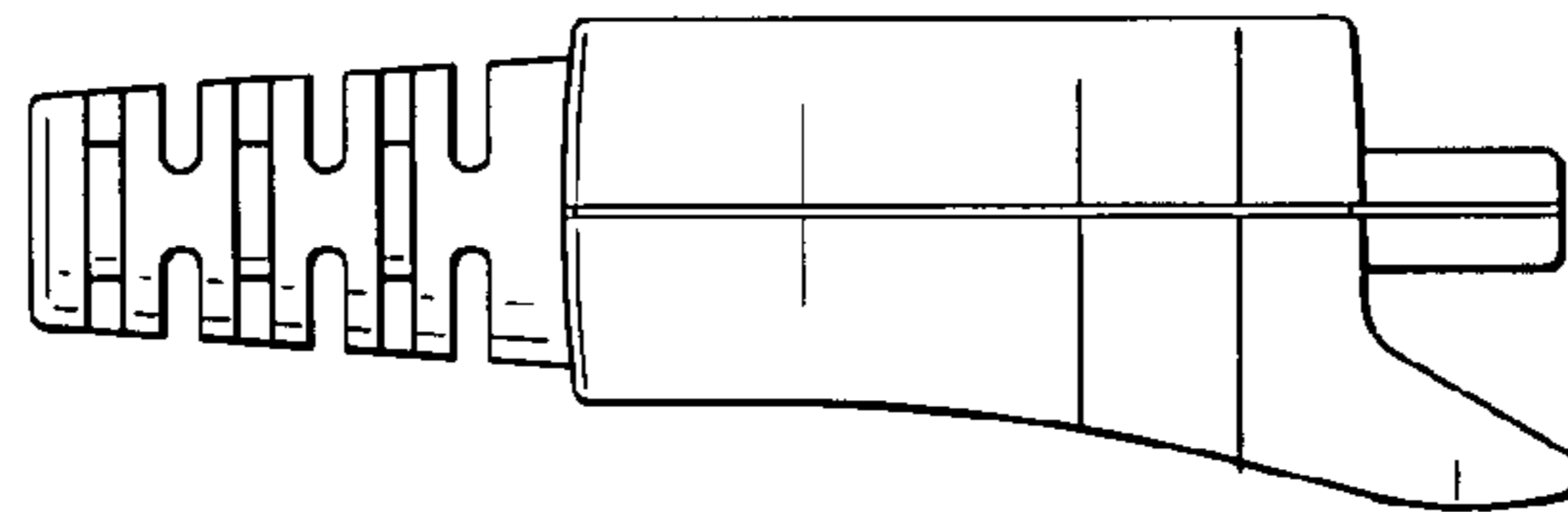


FIG. 13

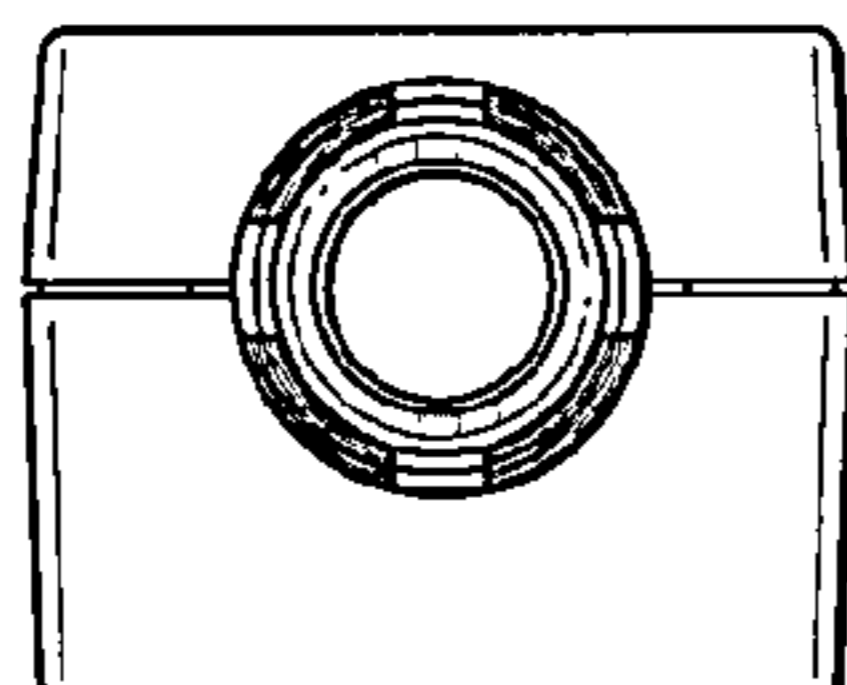
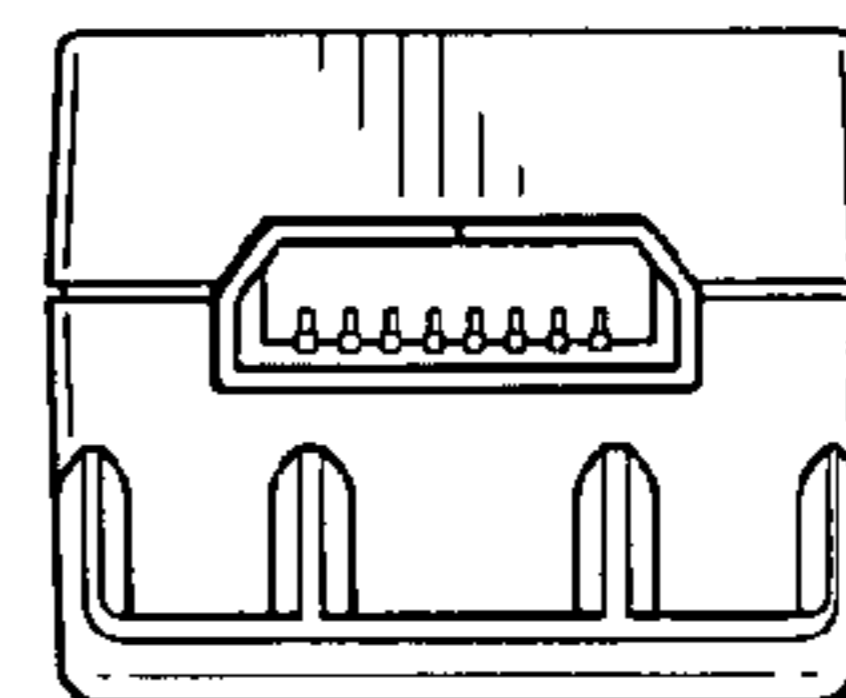


FIG. 14



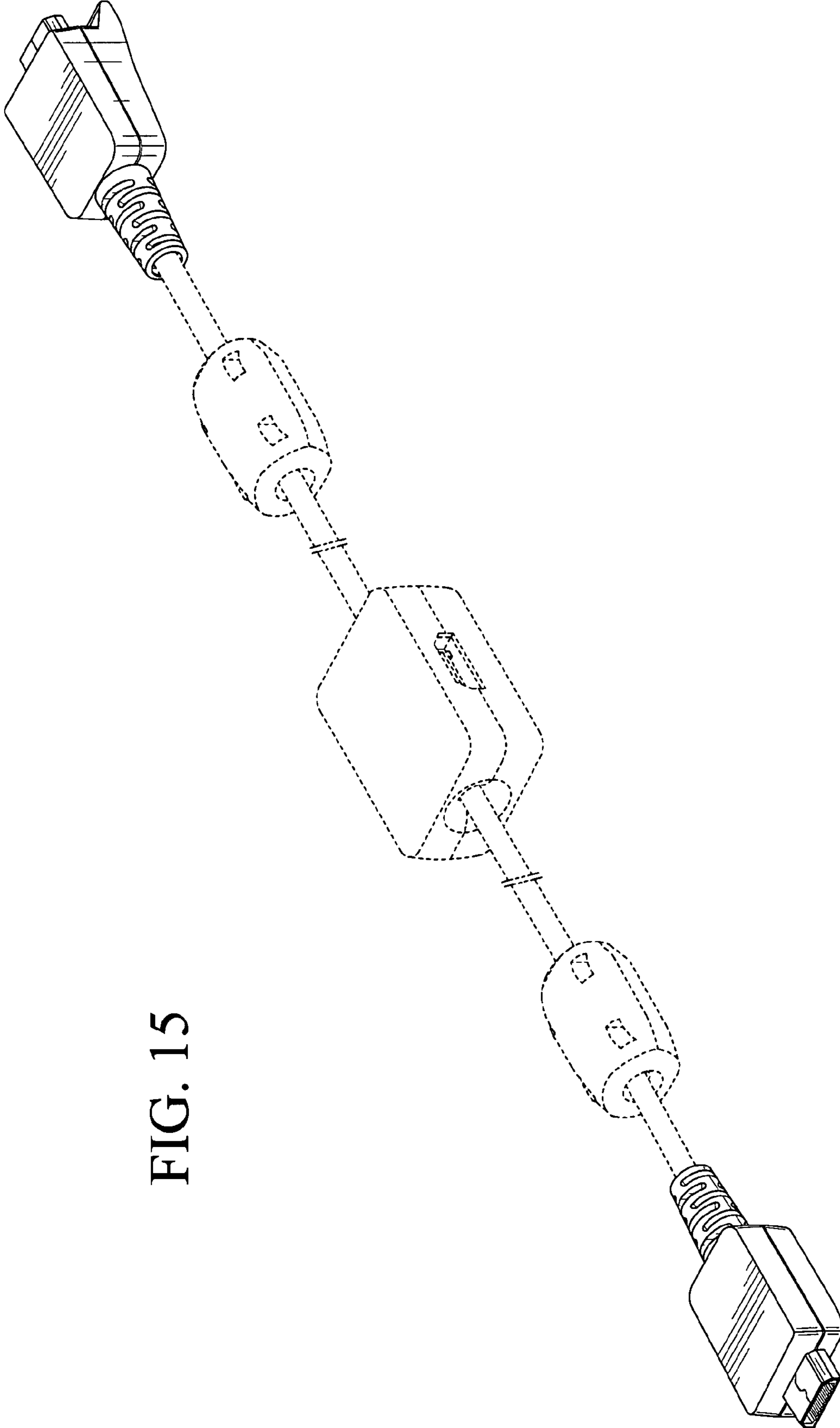
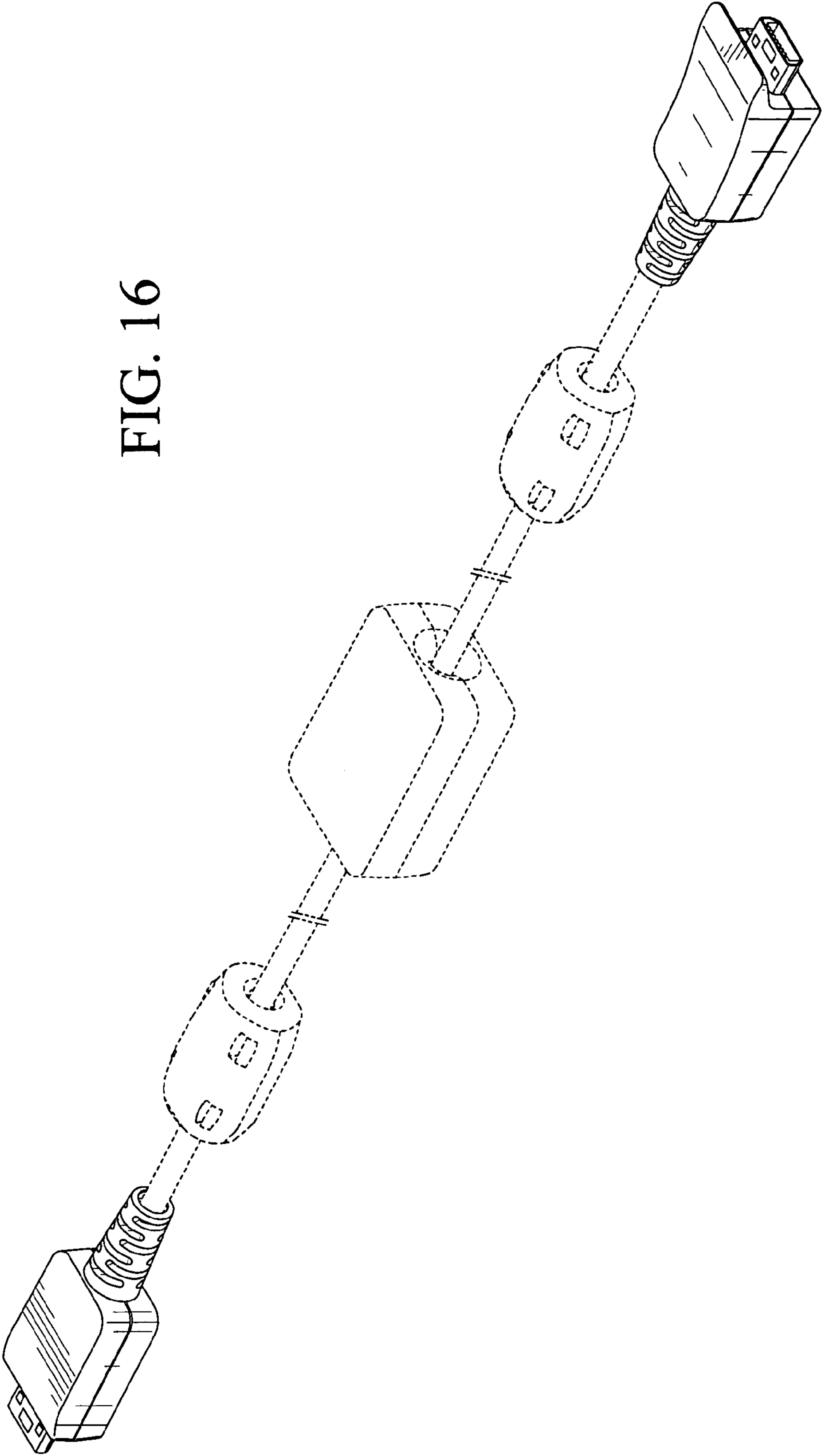


FIG. 15

FIG. 16



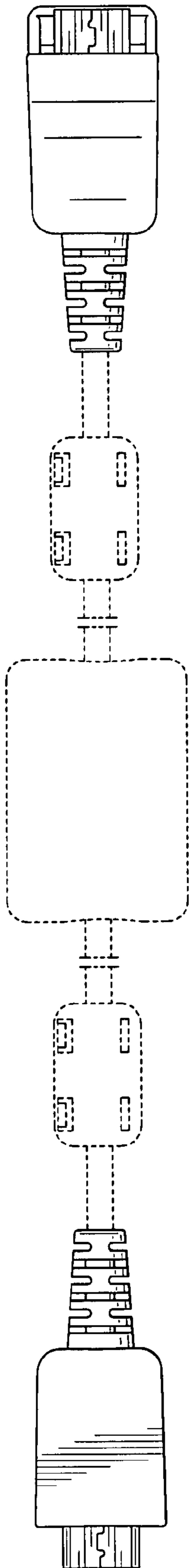


FIG. 17

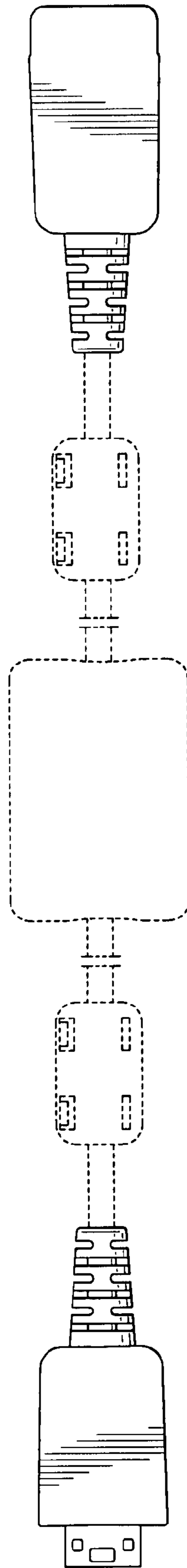


FIG. 18

FIG. 19

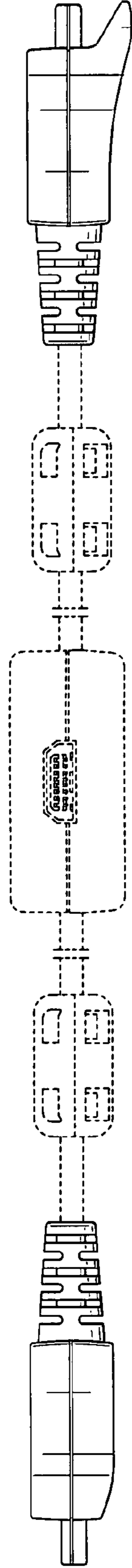


FIG. 20

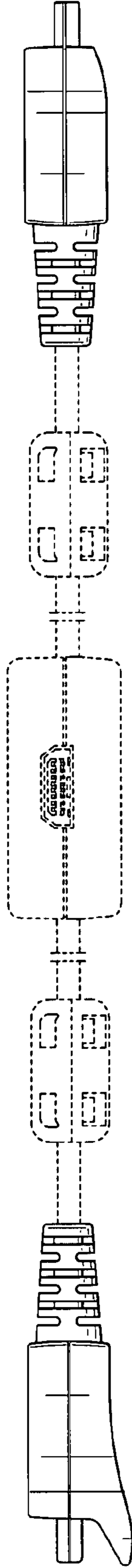


FIG. 21

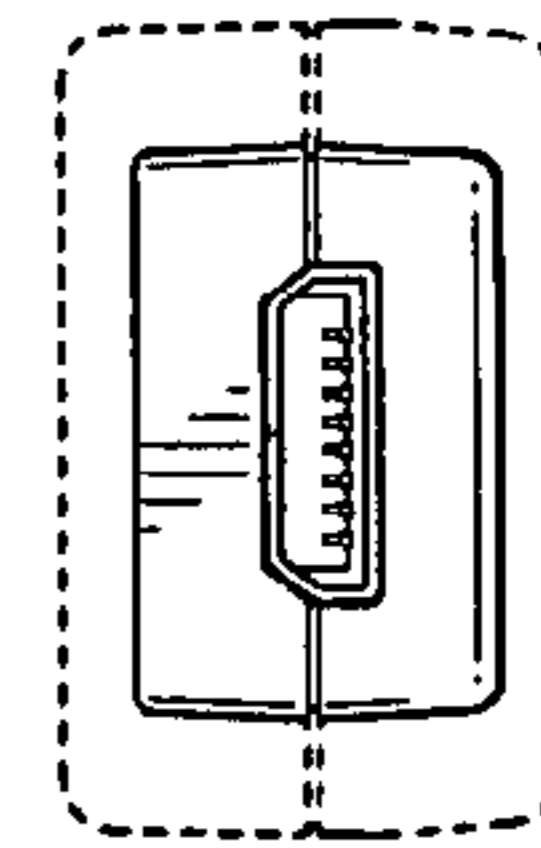


FIG. 22

