



US00D549659S

(12) **United States Design Patent**
Dever

(10) **Patent No.:** **US D549,659 S**

(45) **Date of Patent:** **** Aug. 28, 2007**

(54) **ELECTRICAL CONNECTOR**

(75) Inventor: **Neil Patrick Dever**, Phoenix, AZ (US)

(73) Assignee: **Airborn, Inc.**, Addison, TX (US)

(**) Term: **14 Years**

(21) Appl. No.: **29/252,966**

(22) Filed: **Jan. 31, 2006**

(51) **LOC (8) Cl.** **13-03**

(52) **U.S. Cl.** **D13/147**

(58) **Field of Classification Search** D13/123,
D13/133, 146-147, 154, 184, 199; D14/256;
439/344, 378, 395, 409, 606-610, 676

See application file for complete search history.

(56) **References Cited**

U.S. PATENT DOCUMENTS

D403,303 S *	12/1998	Lai et al.	D13/147
D420,645 S *	2/2000	Chang et al.	D13/146
D453,500 S *	2/2002	Nakatomi	D13/147
D468,693 S *	1/2003	Kuo	D13/147
D488,132 S *	4/2004	Tanaka	D13/147
D505,116 S *	5/2005	Tanaka	D13/147
D508,464 S *	8/2005	Tanaka	D13/147

OTHER PUBLICATIONS

“Detail Specification Sheet” MIL-DTL-32139/1, Dec. 16, 2003, pp. 1-5.

“Detail Specification Sheet” MIL-DTL-32139/3, Dec. 16, 2003, pp. 1-5.

* cited by examiner

Primary Examiner—Daniel Bui

(74) *Attorney, Agent, or Firm*—Locke Liddell & Sapp, LLP

(57) **CLAIM**

The ornamental design for an electrical connector, as shown and described.

DESCRIPTION

FIG. 1 is a front, top and right side perspective view of an electrical connector, showing my new design;

FIG. 2 is a front elevation view thereof;

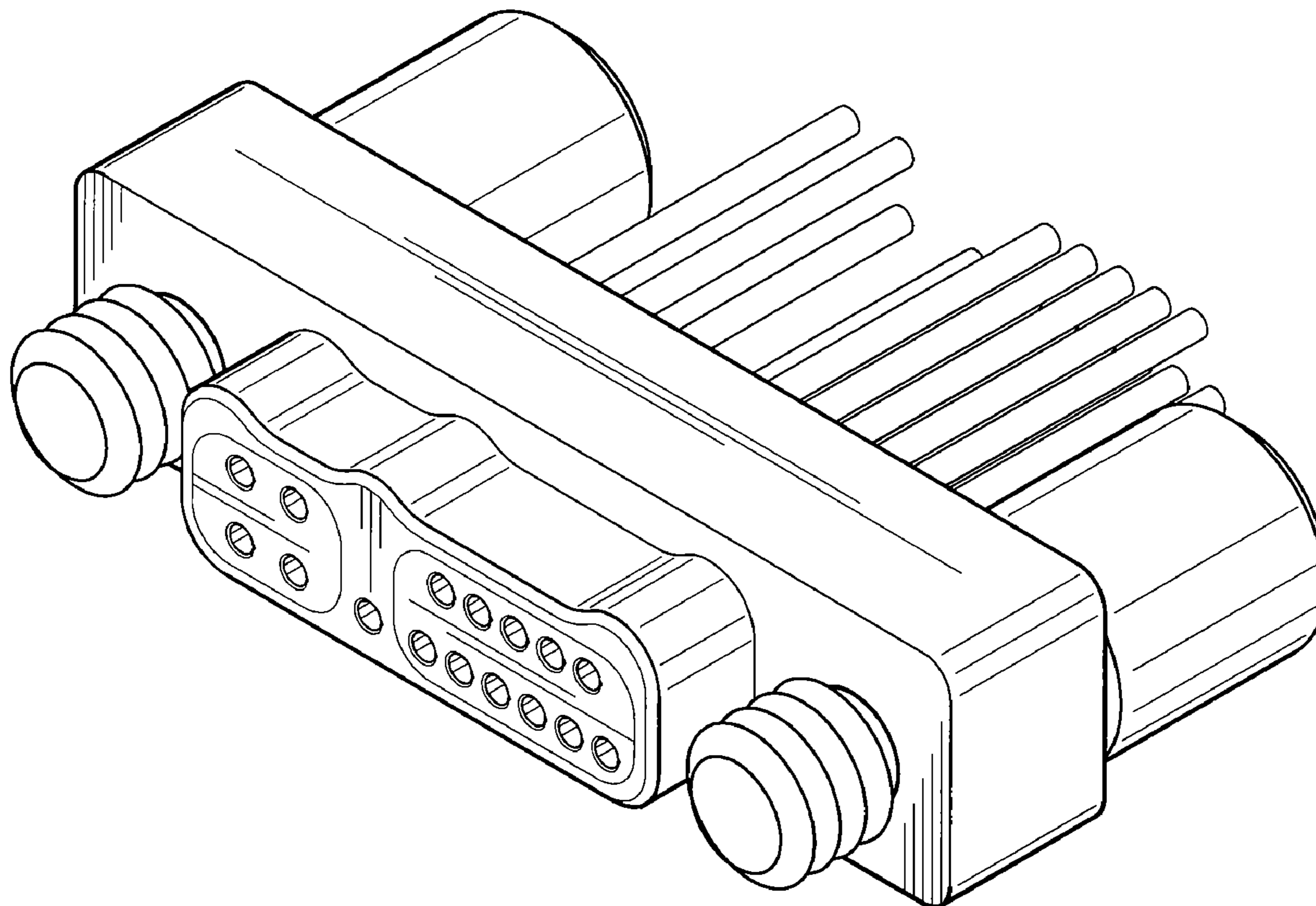
FIG. 3 is a right side elevation view thereof, the left side view is a mirror image thereto;

FIG. 4 is a top plan view thereof;

FIG. 5 is a rear view thereof; and,

FIG. 6 is a bottom plan view thereof.

1 Claim, 2 Drawing Sheets



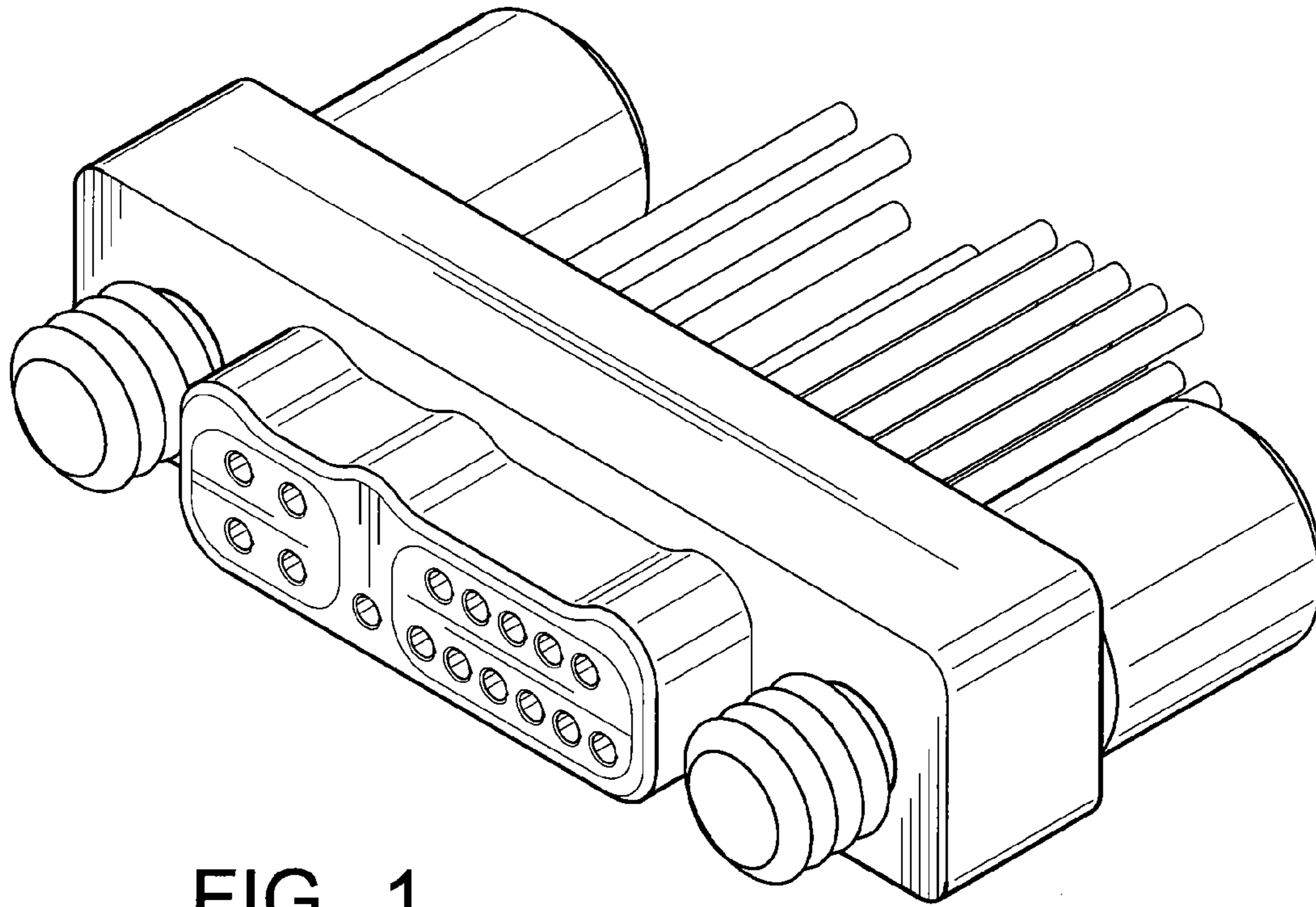


FIG. 1

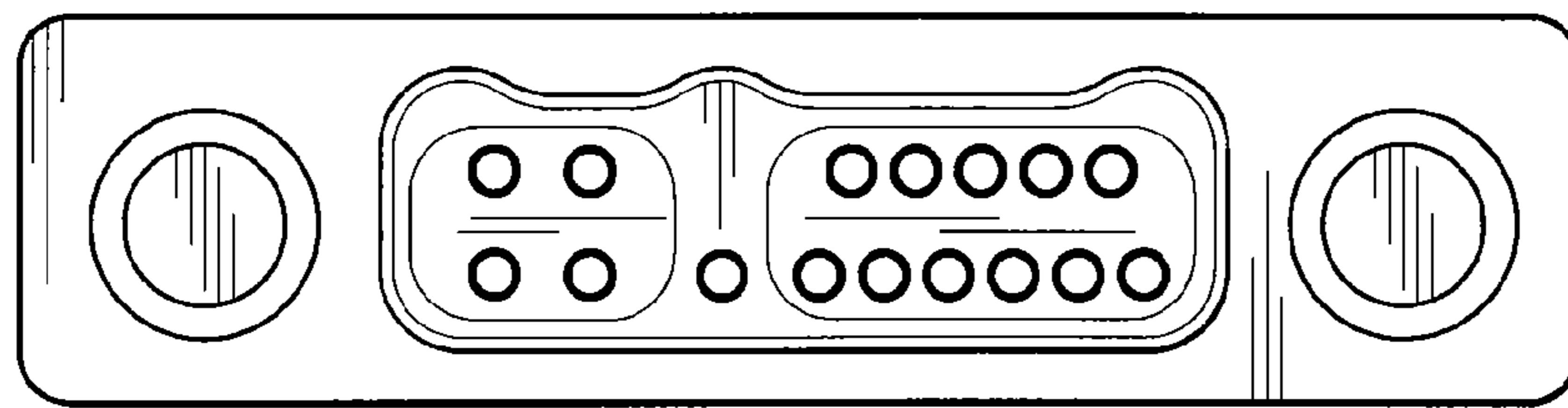


FIG. 2

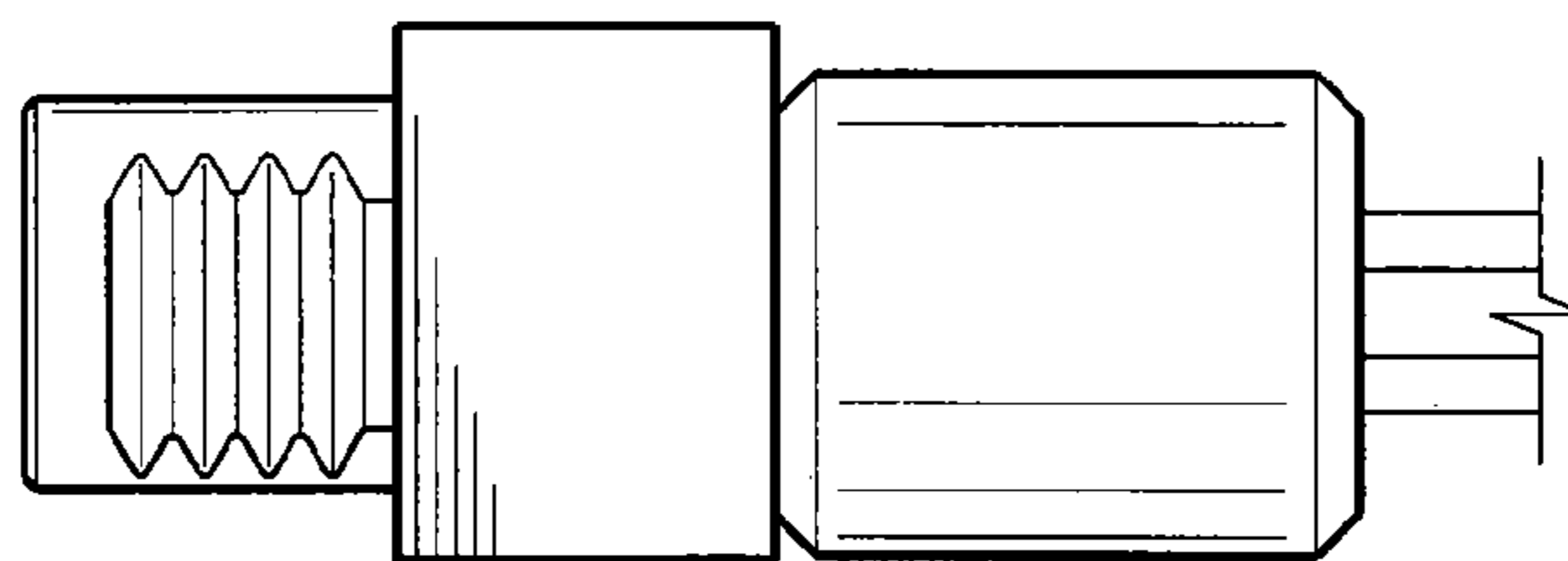


FIG. 3

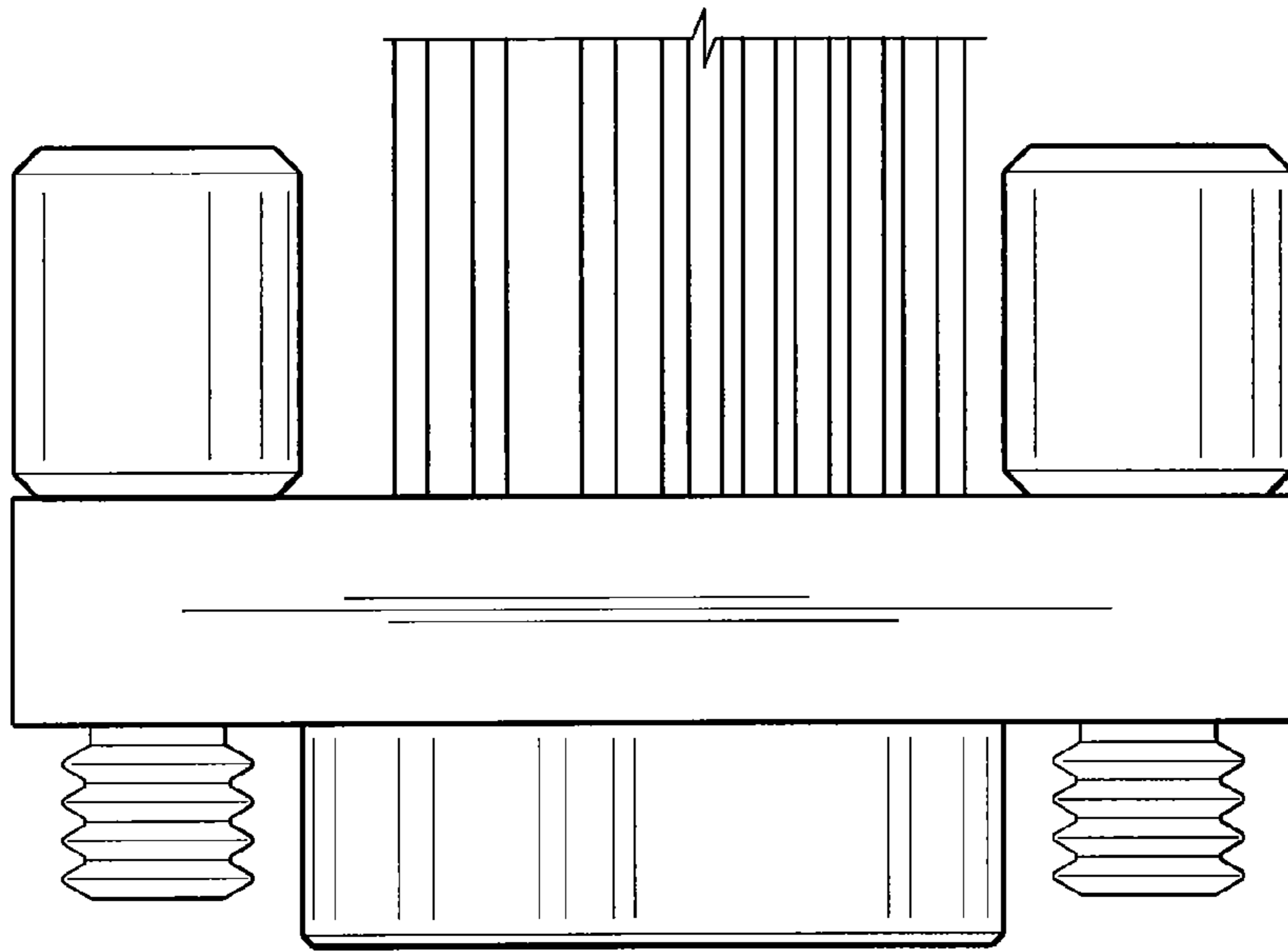


FIG. 4

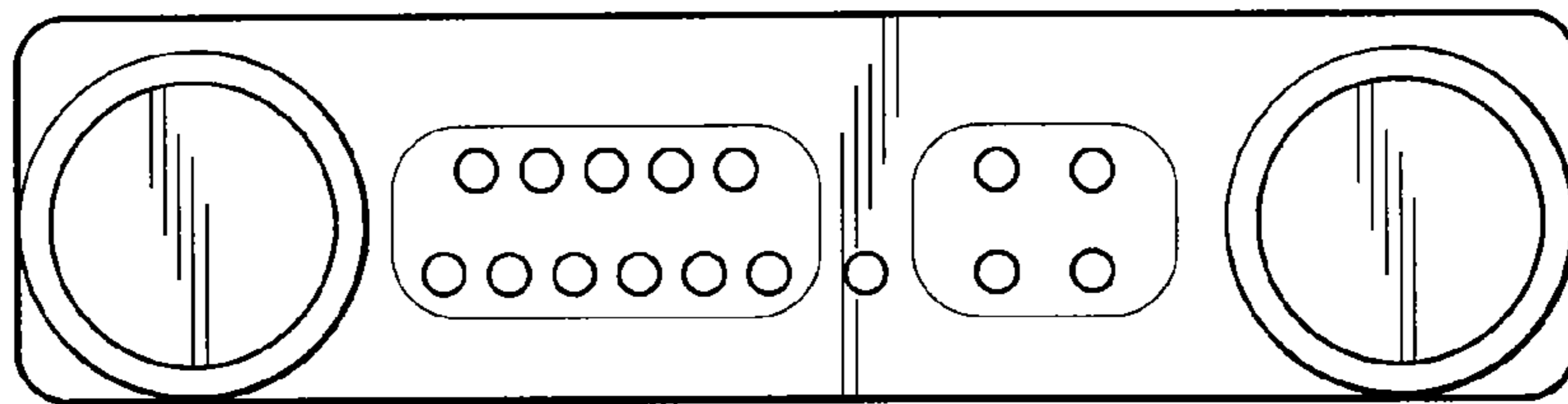


FIG. 5

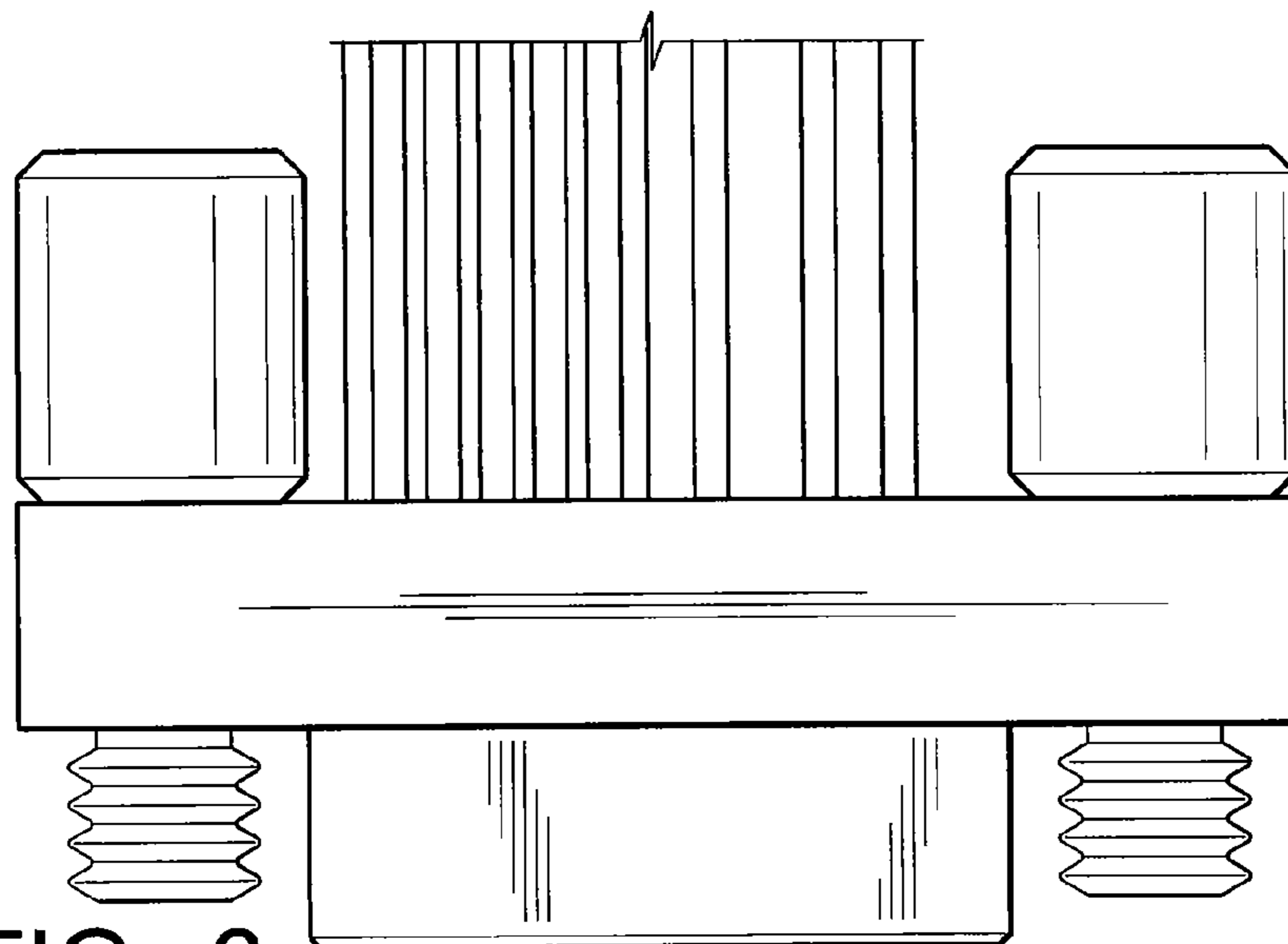


FIG. 6