



US00D549657S

(12) **United States Design Patent**
Ng

(10) **Patent No.:** **US D549,657 S**

(45) **Date of Patent:** **** Aug. 28, 2007**

(54) **SURGE PROTECTOR WITH EXTENDABLE CORD MANAGEMENT**

(76) Inventor: **Kenneth Yat Chung Ng**, 1111 Corporate Center Dr., #304A, Monterey Park, CA (US) 91754

(**) Term: **14 Years**

(21) Appl. No.: **29/262,320**

(22) Filed: **Jun. 28, 2006**

(51) **LOC (8) Cl.** **13-03**

(52) **U.S. Cl.** **D13/139.8**

(58) **Field of Classification Search** D13/137.1, D13/137.3, 137.4, 139.1, 139.4, 139.6-139.8, D13/124, 160, 162, 164, 178, 184; 361/118, 361/119; 439/106-108, 188, 535, 650-654
See application file for complete search history.

(56) **References Cited**

U.S. PATENT DOCUMENTS

D350,940 S *	9/1994	Rossman et al.	D13/139.8
D356,544 S *	3/1995	Fladung	D13/139.8
D411,511 S *	6/1999	Rossman et al.	D13/139.6
D436,923 S *	1/2001	Stekelenburg	D13/139.8
6,179,665 B1 *	1/2001	Rossman et al.	439/654
D443,591 S *	6/2001	Tong et al.	D13/139.8
D444,770 S *	7/2001	Tong et al.	D13/139.8
D445,091 S *	7/2001	Tong et al.	D13/139.8
D458,590 S *	6/2002	Wilson et al.	D13/139.8
6,764,322 B1 *	7/2004	Yu	439/137
D508,230 S *	8/2005	Loftus et al.	D13/139.1
D521,452 S *	5/2006	Mori et al.	D13/139.8
D528,509 S *	9/2006	Chesebro et al.	D13/139.8

* cited by examiner

Primary Examiner—Alan P. Douglas
Assistant Examiner—Rosemary K. Tarcza

(57) **CLAIM**

The ornamental design for a surge protector with extendable cord management, as shown and described.

DESCRIPTION

FIG. 1 is a perspective view of a surge protector with extendable cord management showing my new design;

FIG. 2 is a top view thereof;

FIG. 3 is a bottom view thereof;

FIG. 4 is an enlarged front view thereof;

FIG. 5 is an enlarged rear view thereof;

FIG. 6 is a left side view thereof;

FIG. 7 is a right side view thereof;

FIG. 8 is a perspective view thereof showing the cord management in an extended position;

FIG. 9 is a top view thereof showing the cord management in an extended position;

FIG. 10 is a bottom view thereof showing the cord management in an extended position;

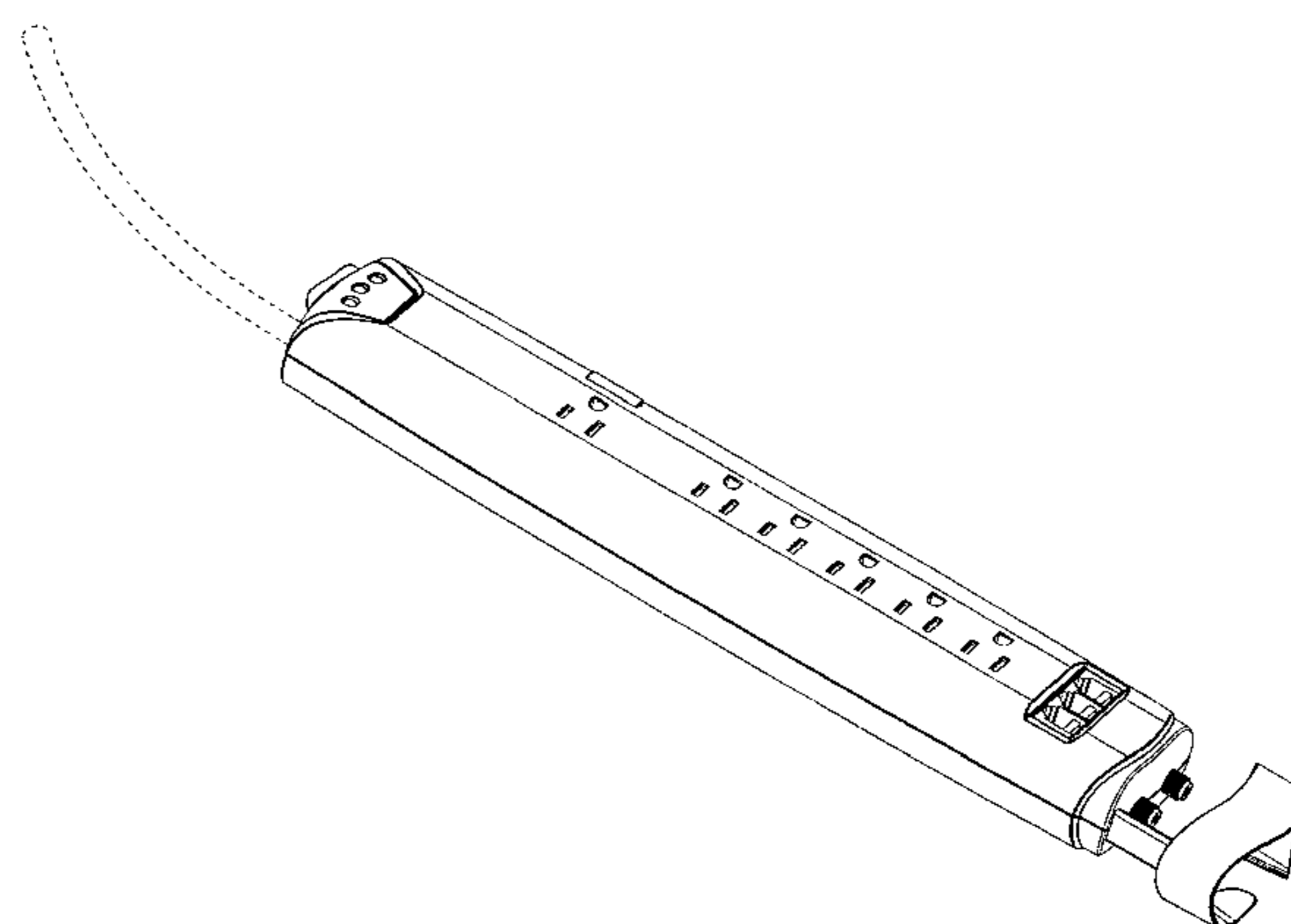
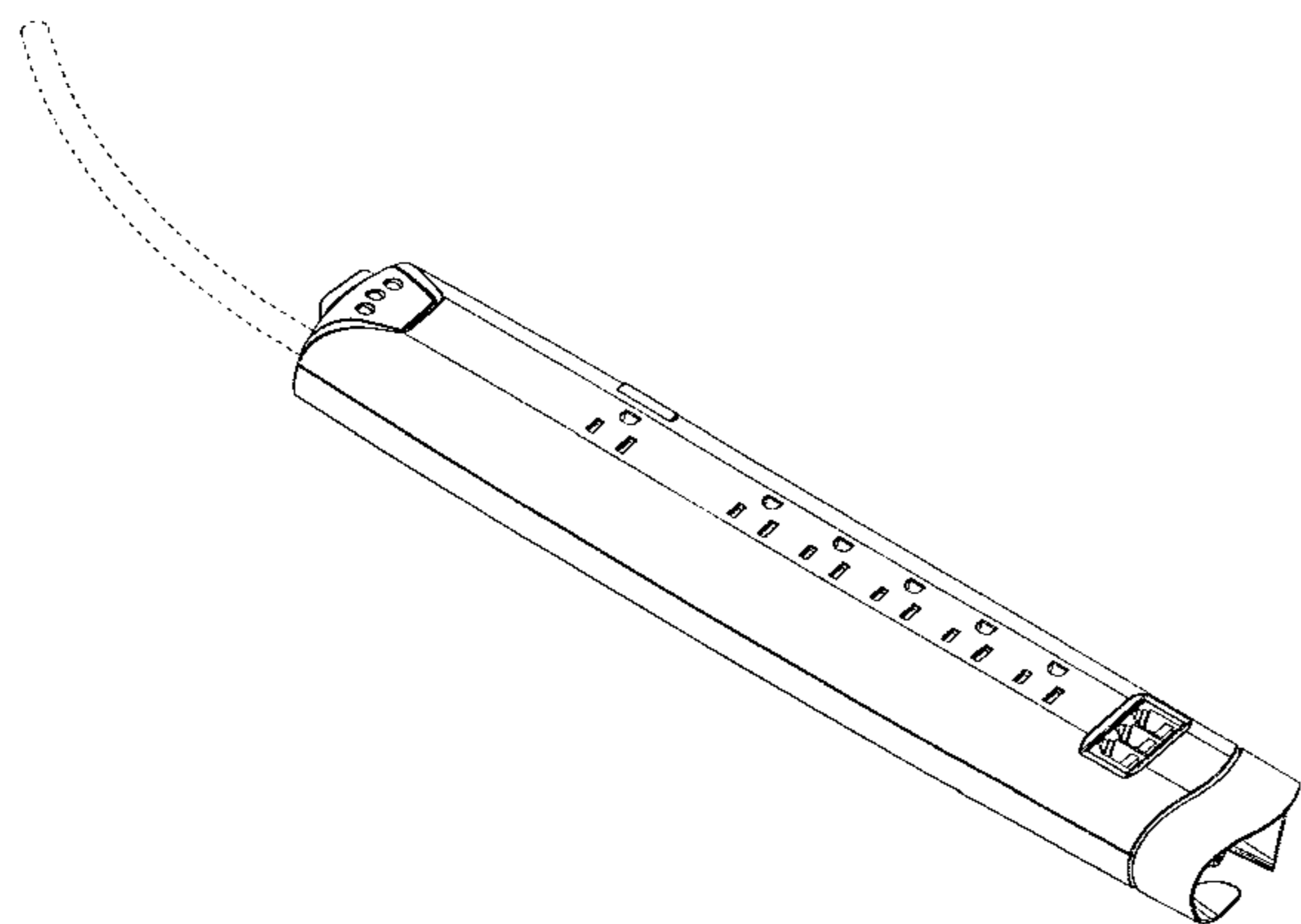
FIG. 11 is a left view thereof showing the cord management in an extended position;

FIG. 12 is a right view thereof showing the cord management in an extended position; and,

FIG. 13 is an enlarged partial view showing the top, front, and right side portion thereof.

The portion of the drawing shown in dashed lines is for illustrative purposes only and forms no part of the claimed design.

1 Claim, 8 Drawing Sheets



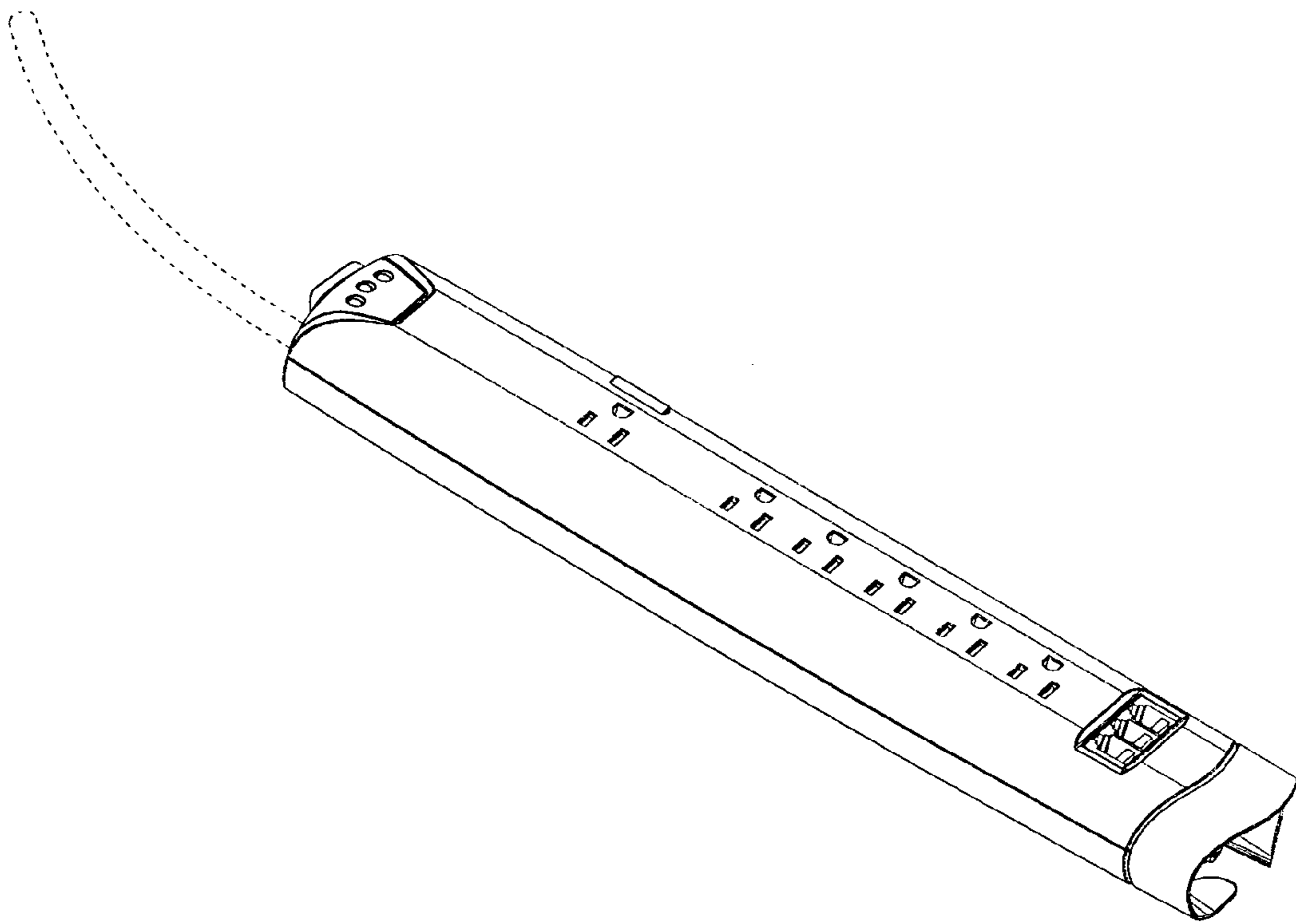


Fig. 1

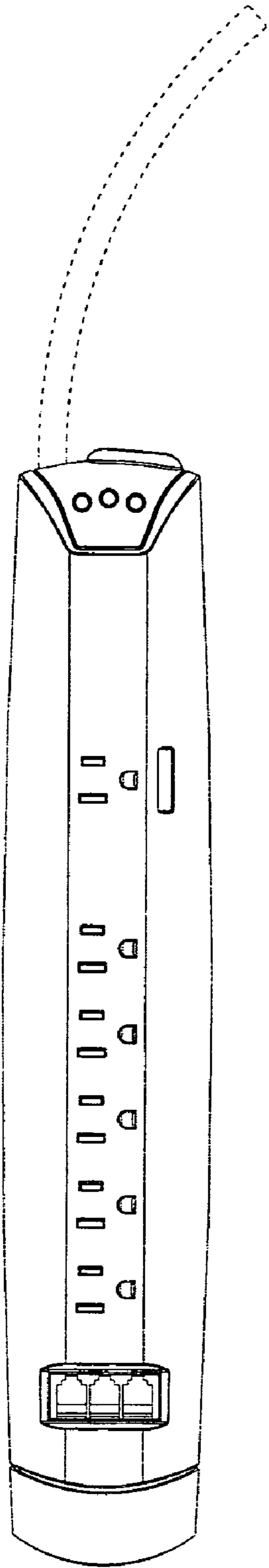


Fig. 2

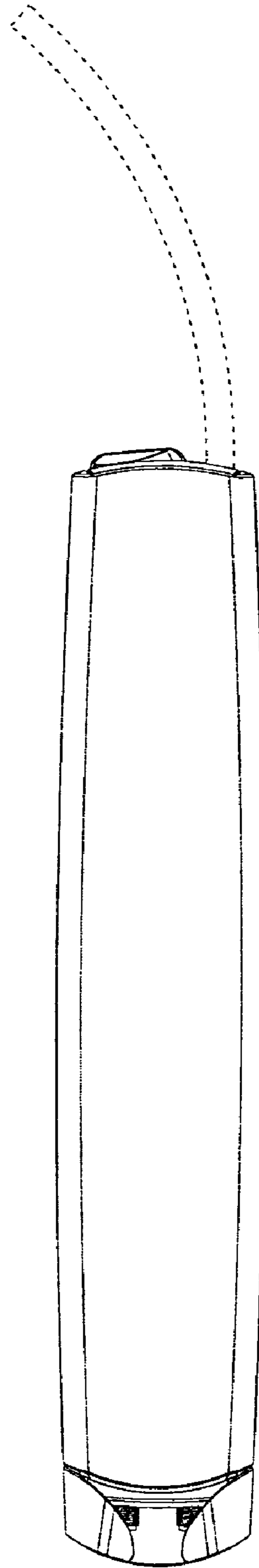


Fig. 3

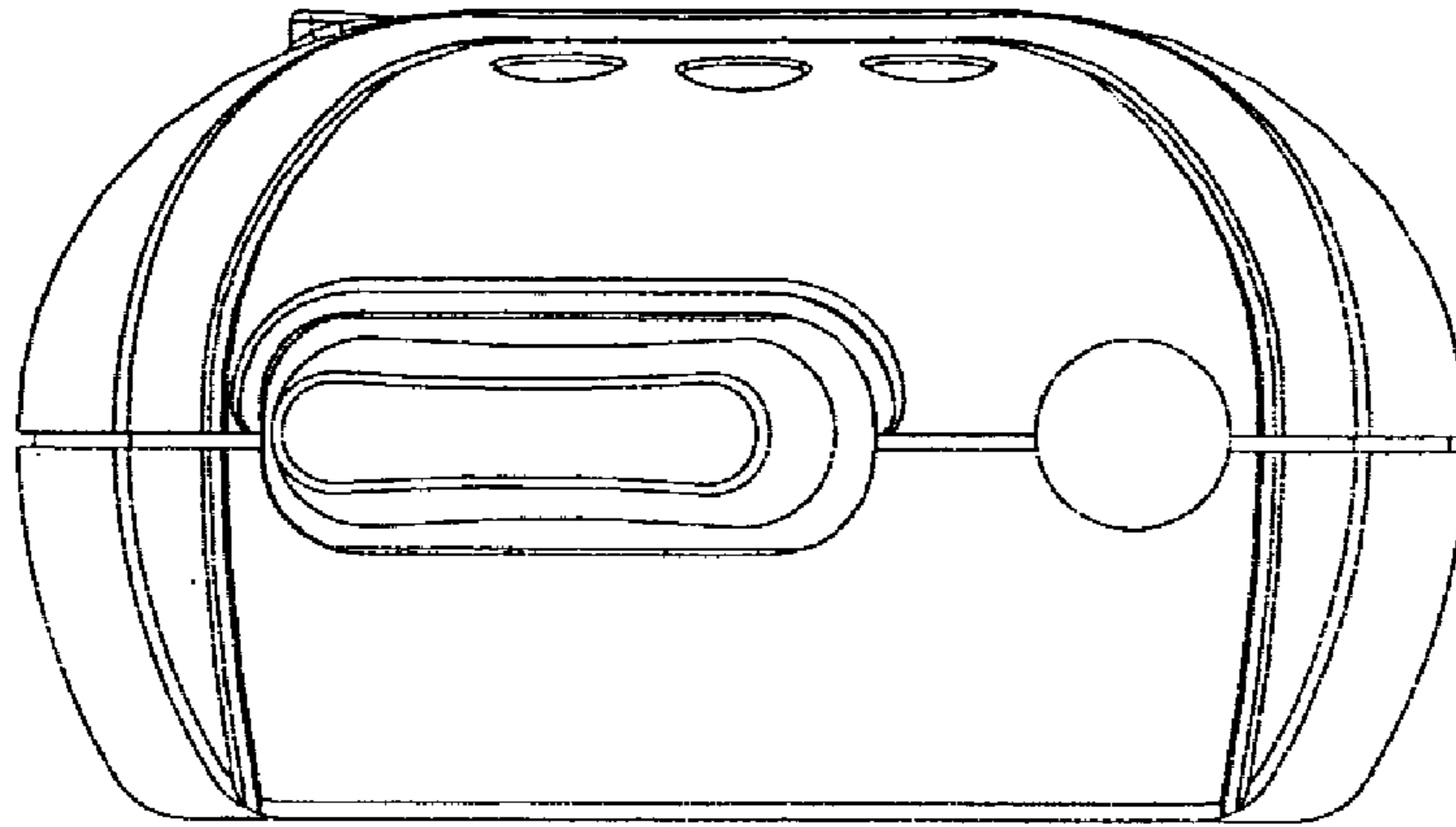


Fig. 4

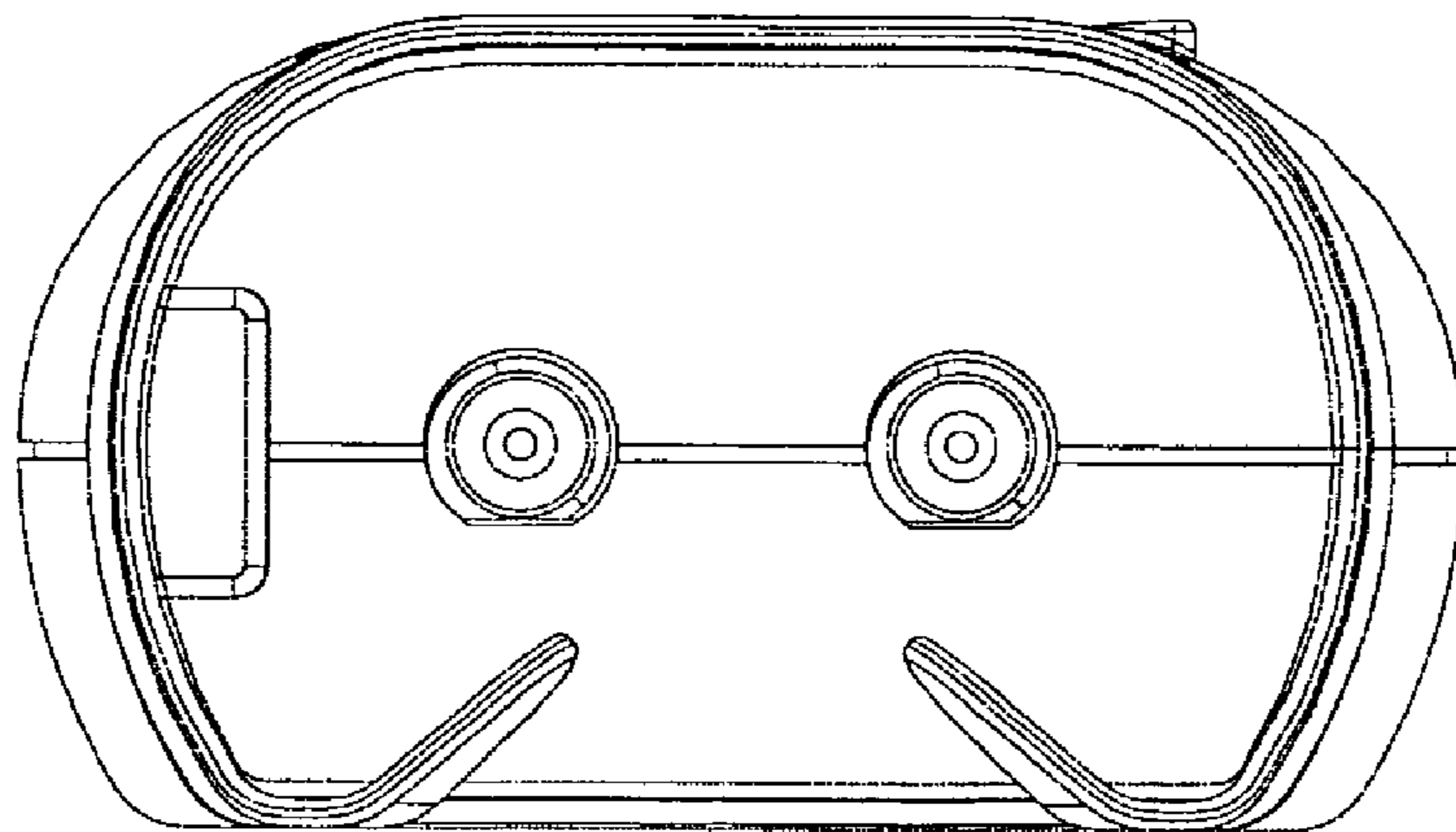


Fig. 5

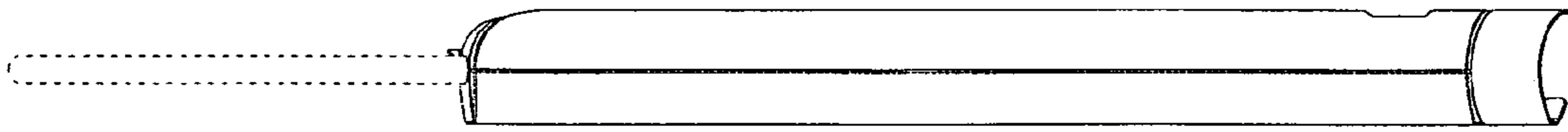


Fig. 6

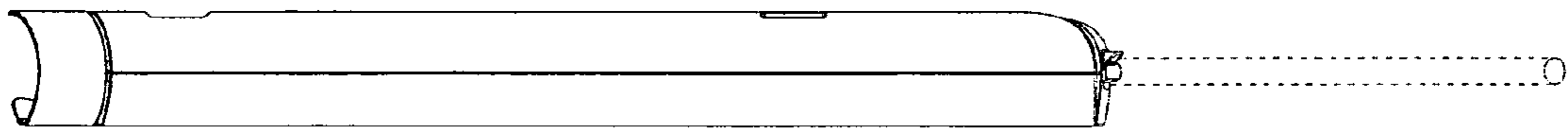


Fig. 7

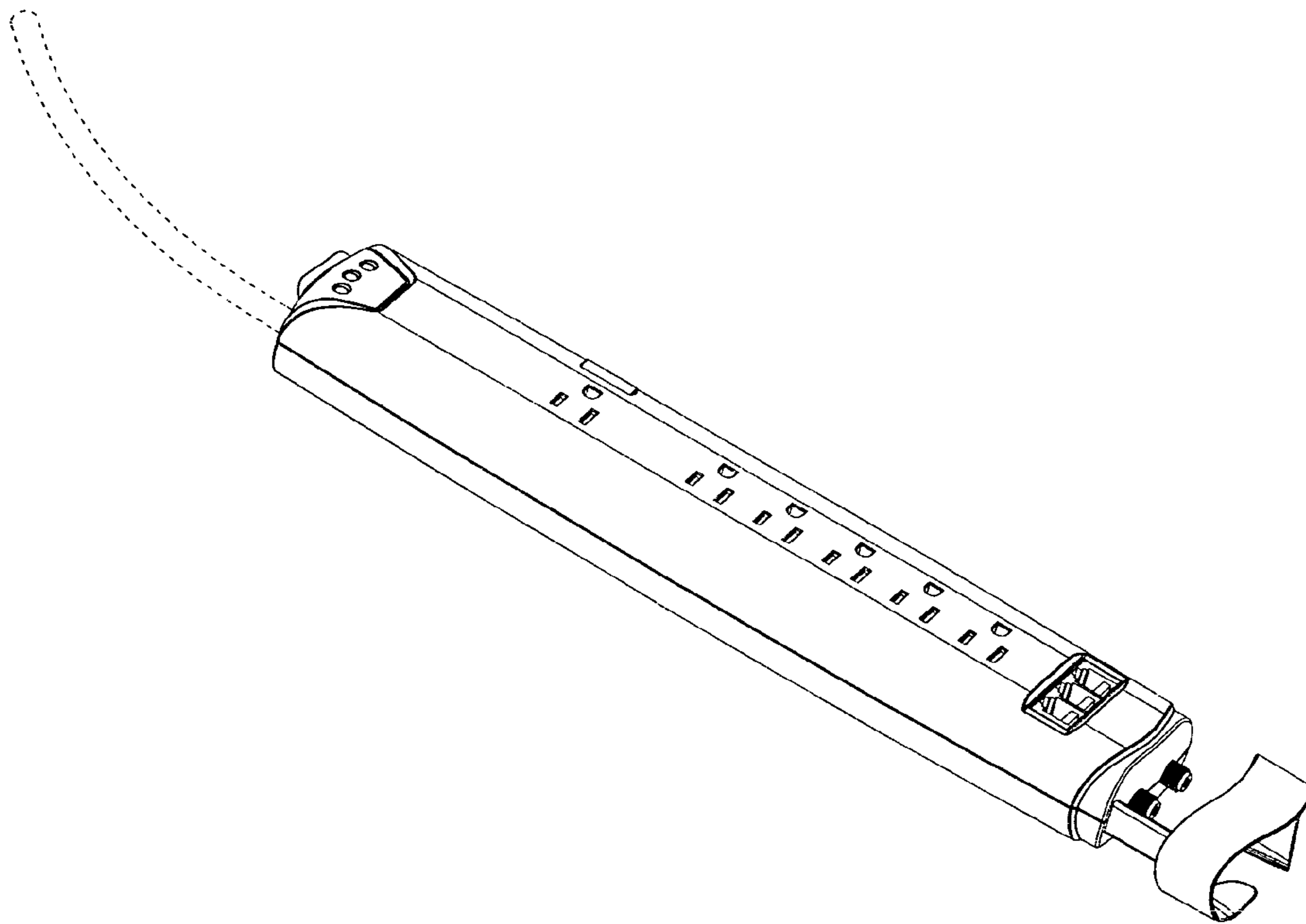


Fig. 8

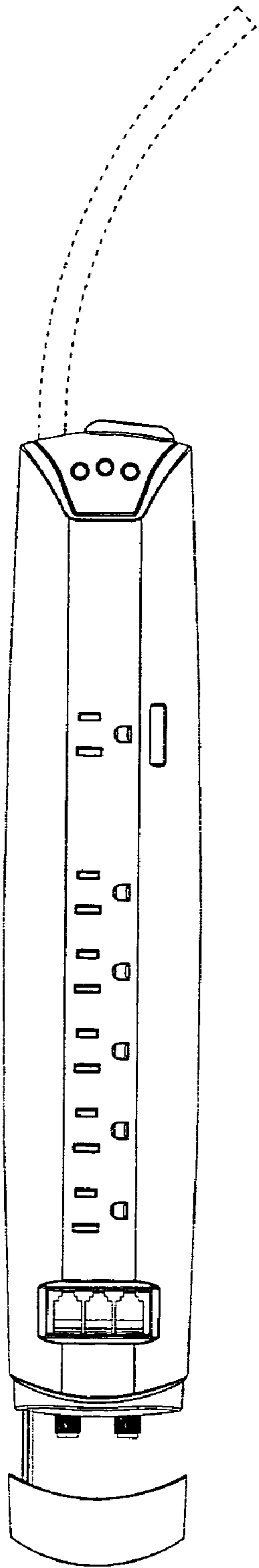


Fig. 9

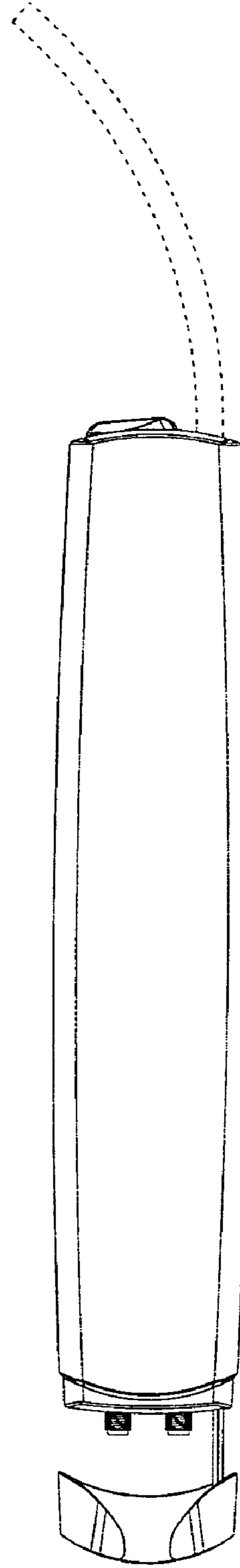


Fig. 10

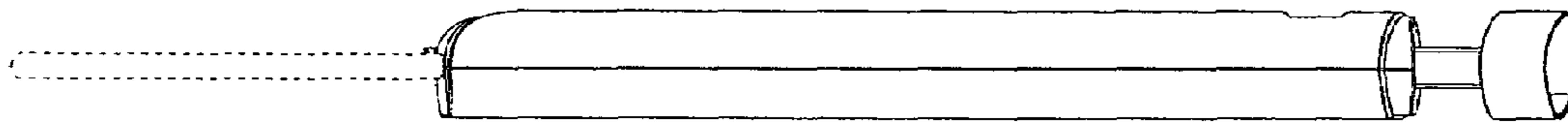


Fig. 11

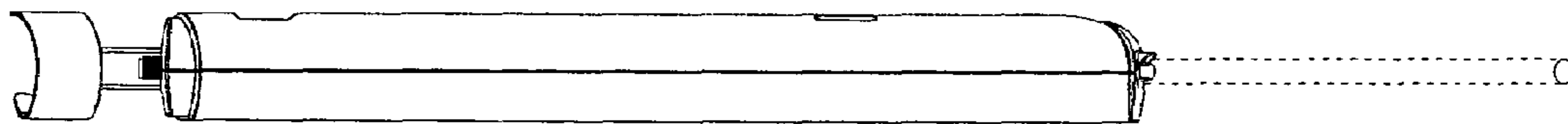


Fig. 12

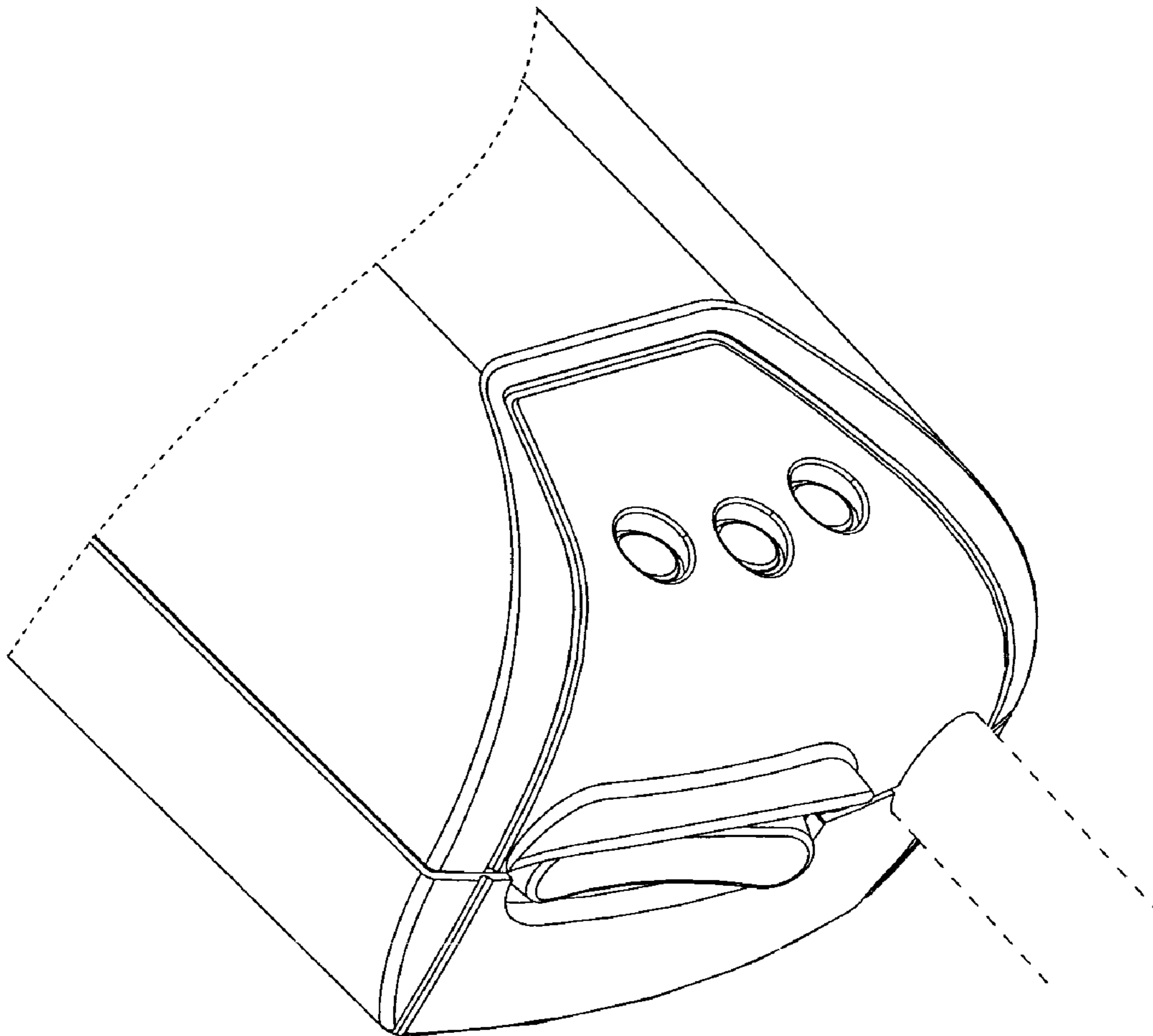


Fig. 13