

US00D549656S

(12) **United States Design Patent**
Hsiao

(10) **Patent No.:** **US D549,656 S**

(45) **Date of Patent:** **** Aug. 28, 2007**

(54) **SOCKET ASSEMBLY**

(76) Inventor: **Feng-Shen Hsiao**, 10th Fl., No. 5, Sec. 1, Tun Hua S, Rd., Taipei (TW)

(**) Term: **14 Years**

(21) Appl. No.: **29/258,735**

(22) Filed: **Apr. 26, 2006**

(51) **LOC (8) Cl.** **13-03**

(52) **U.S. Cl.** **D13/139.8**

(58) **Field of Classification Search** D13/137.1, D13/137.3, 137.4, 139.1, 139.4, 139.6-139.8, D13/124, 160, 162, 164, 178, 184; 361/118, 361/119; 439/106-108, 188, 535, 650-654
See application file for complete search history.

(56) **References Cited**

U.S. PATENT DOCUMENTS

D301,576 S *	6/1989	Wang	D13/139.8
D350,939 S *	9/1994	Rossman et al.	D13/139.8
D350,940 S *	9/1994	Rossman et al.	D13/139.8
D368,893 S *	4/1996	Harwood et al.	D13/139.8
D382,855 S *	8/1997	Salmond et al.	D13/139.8
D431,529 S *	10/2000	Giese	D13/139.6
D444,126 S *	6/2001	Chura et al.	D13/139.8
D446,189 S *	8/2001	Lee	D13/139.8
D446,503 S *	8/2001	Lee	D13/139.8

D458,225 S *	6/2002	Stekelenburg	D13/139.8
D467,875 S *	12/2002	Barger et al.	D13/139.8
D484,098 S *	12/2003	Lee	D13/139.8
D484,099 S *	12/2003	Bettencourt	D13/139.8

* cited by examiner

Primary Examiner—Alan P. Douglas

Assistant Examiner—Rosemary K. Tarcza

(74) *Attorney, Agent, or Firm*—William E. Pelton, Esq.;
Cooper & Dunham LLP

(57) **CLAIM**

The ornamental design for a socket assembly, as shown and described.

DESCRIPTION

FIG. 1 is a perspective view of a socket assembly, showing my new design;

FIG. 2 is a front view thereof;

FIG. 3 is a rear view thereof;

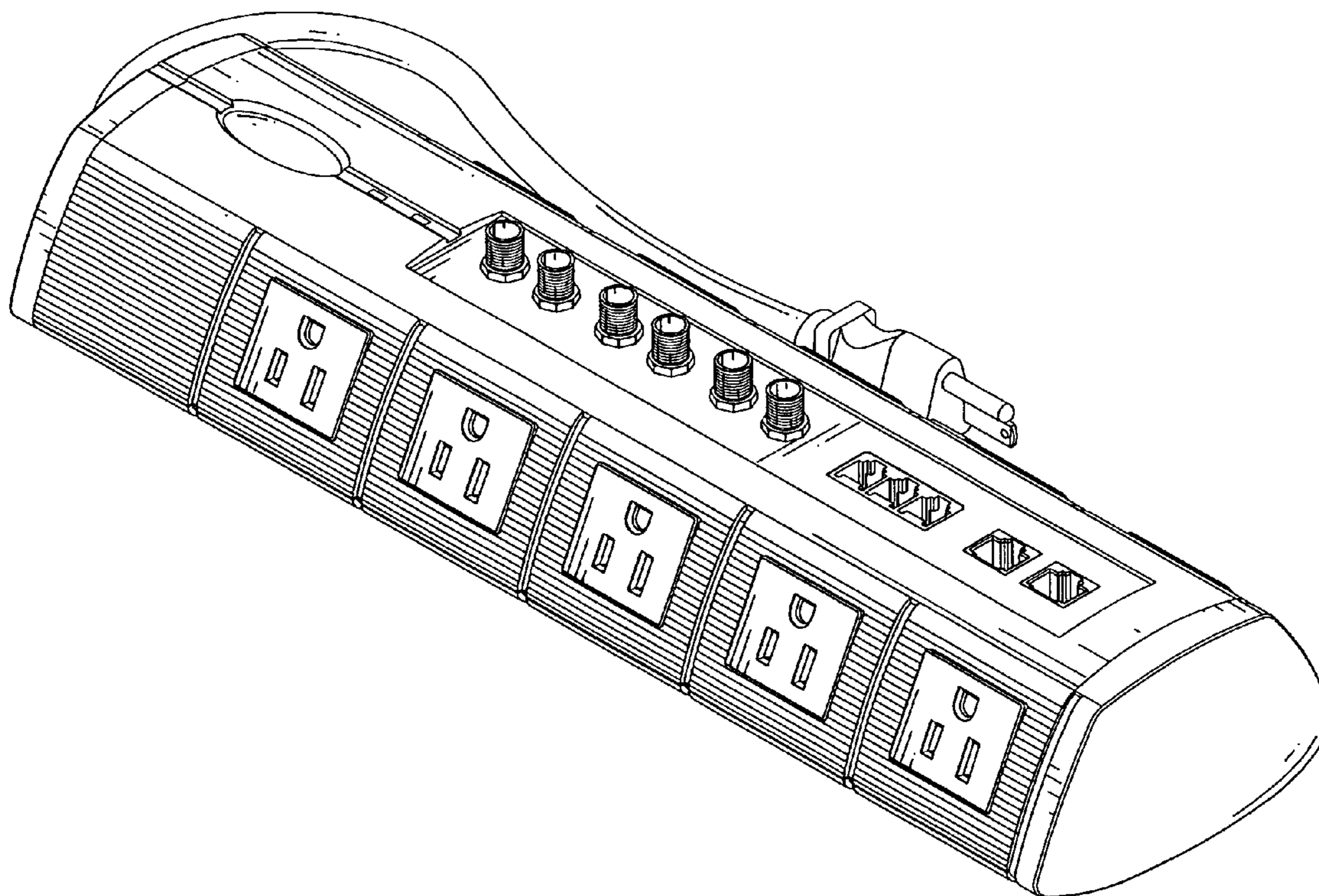
FIG. 4 is a left view thereof;

FIG. 5 is a right view thereof;

FIG. 6 is top view thereof; and,

FIG. 7 is a bottom view thereof.

1 Claim, 6 Drawing Sheets



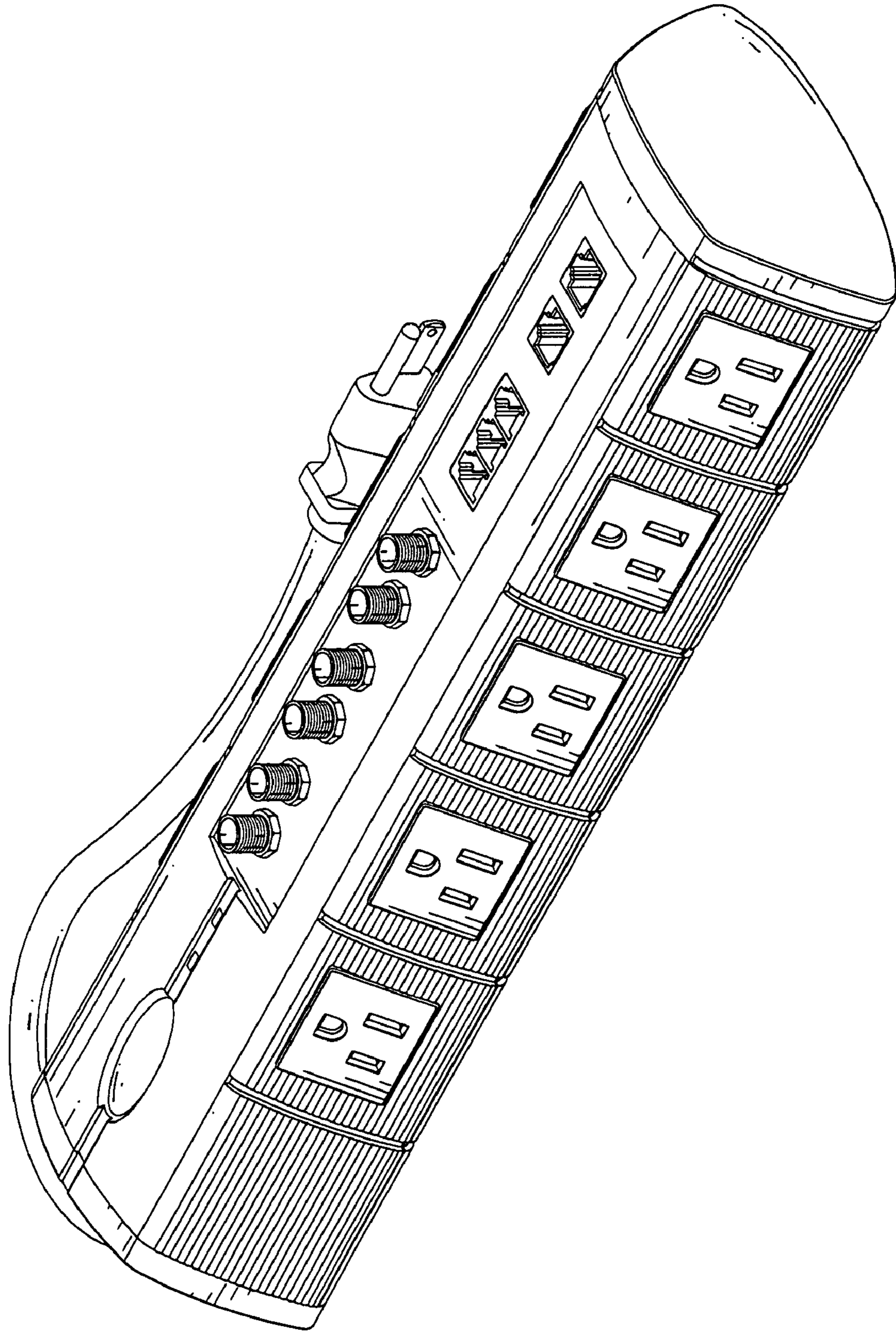


FIG. 1

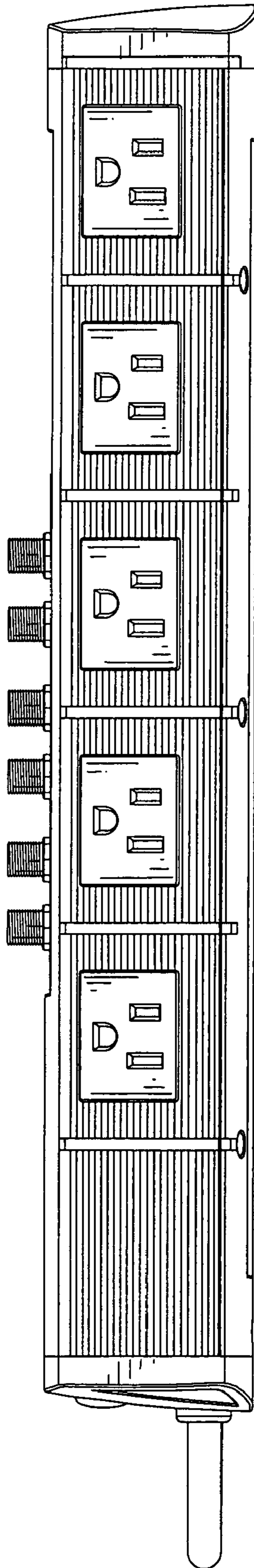


FIG. 2

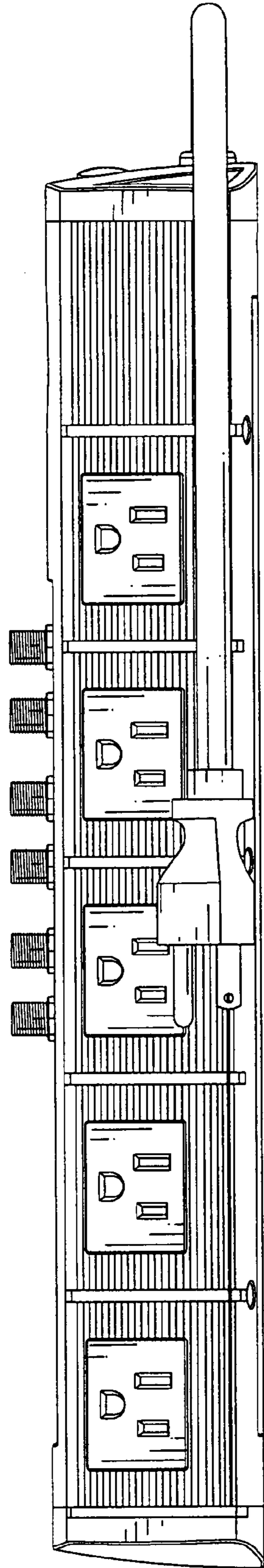


FIG. 3

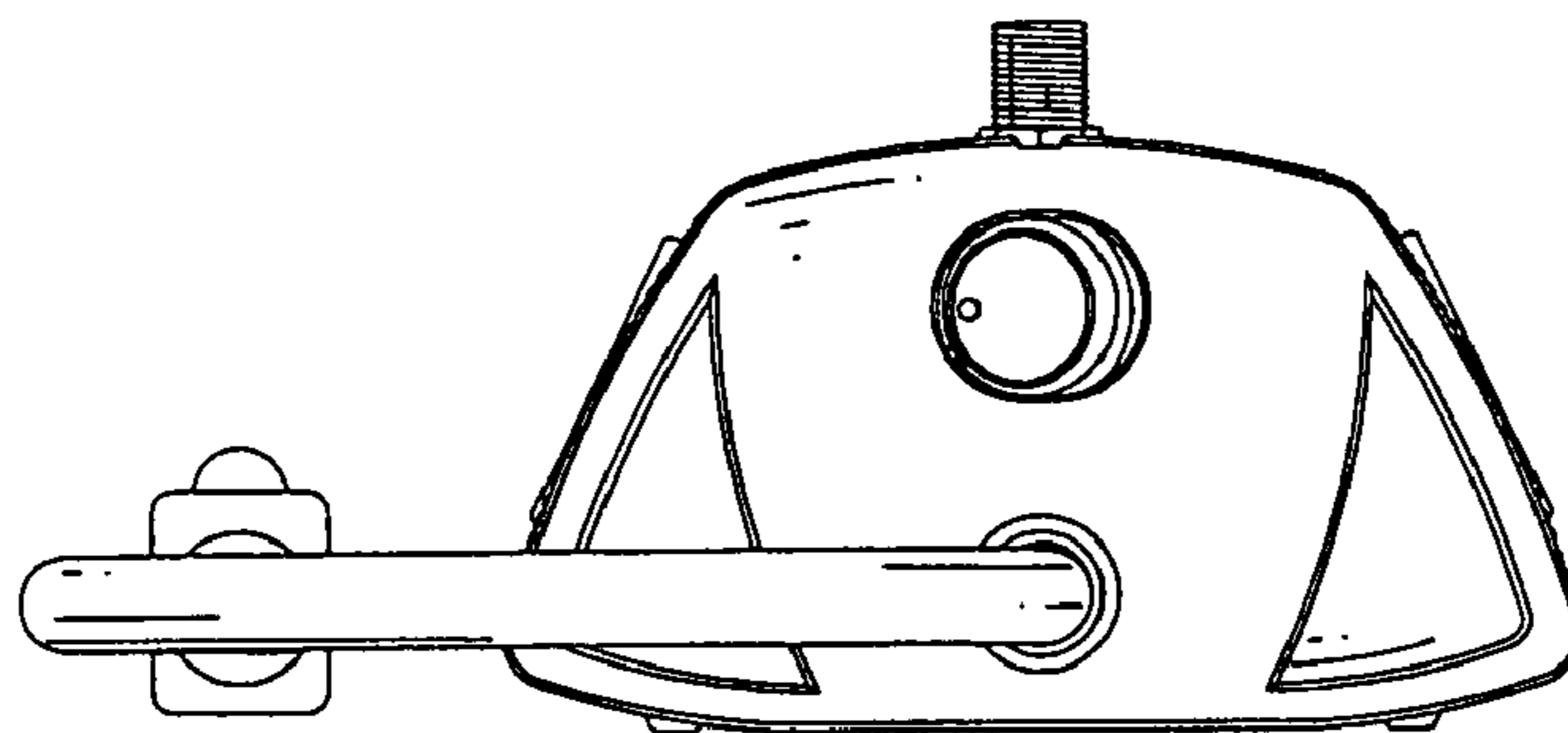


FIG. 4

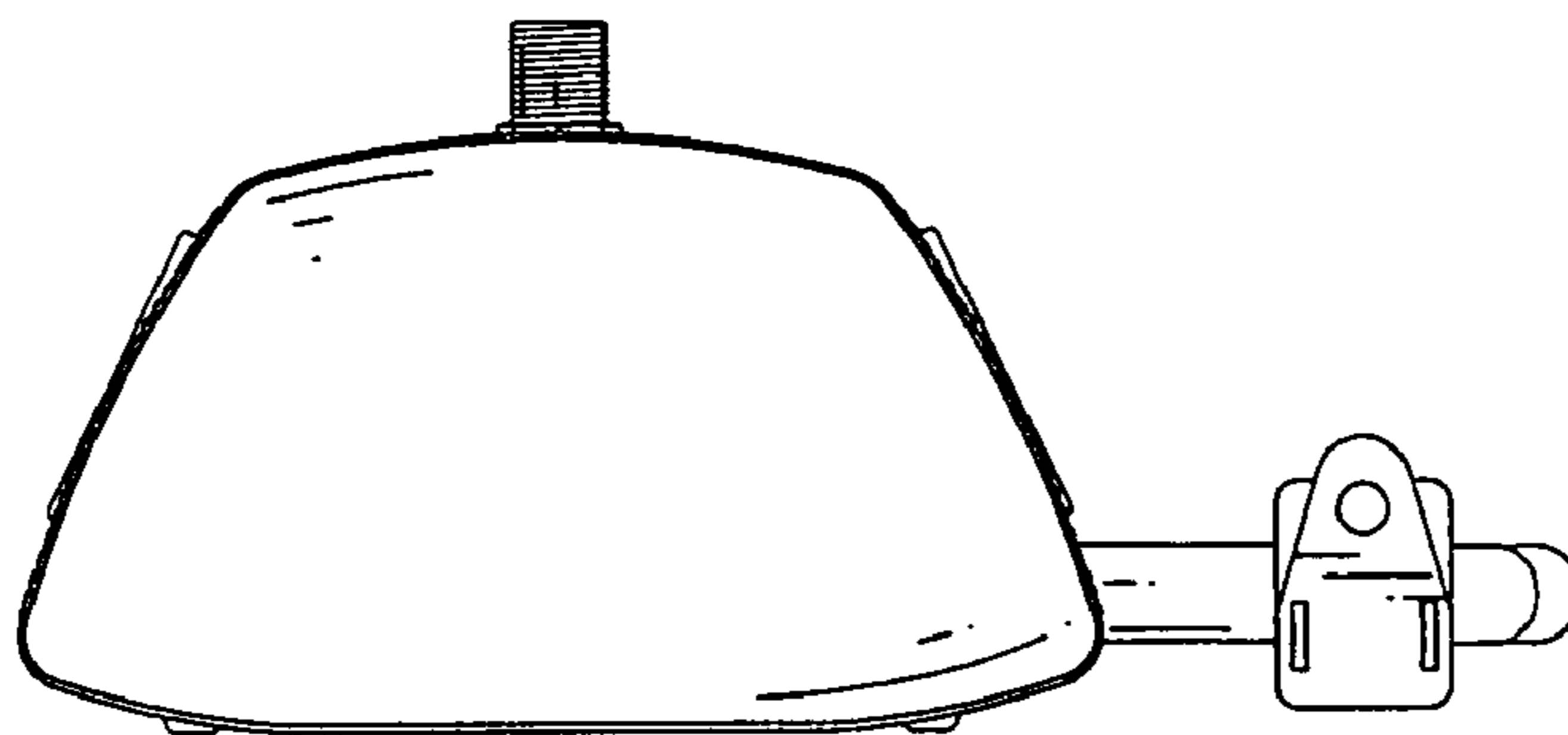


FIG. 5

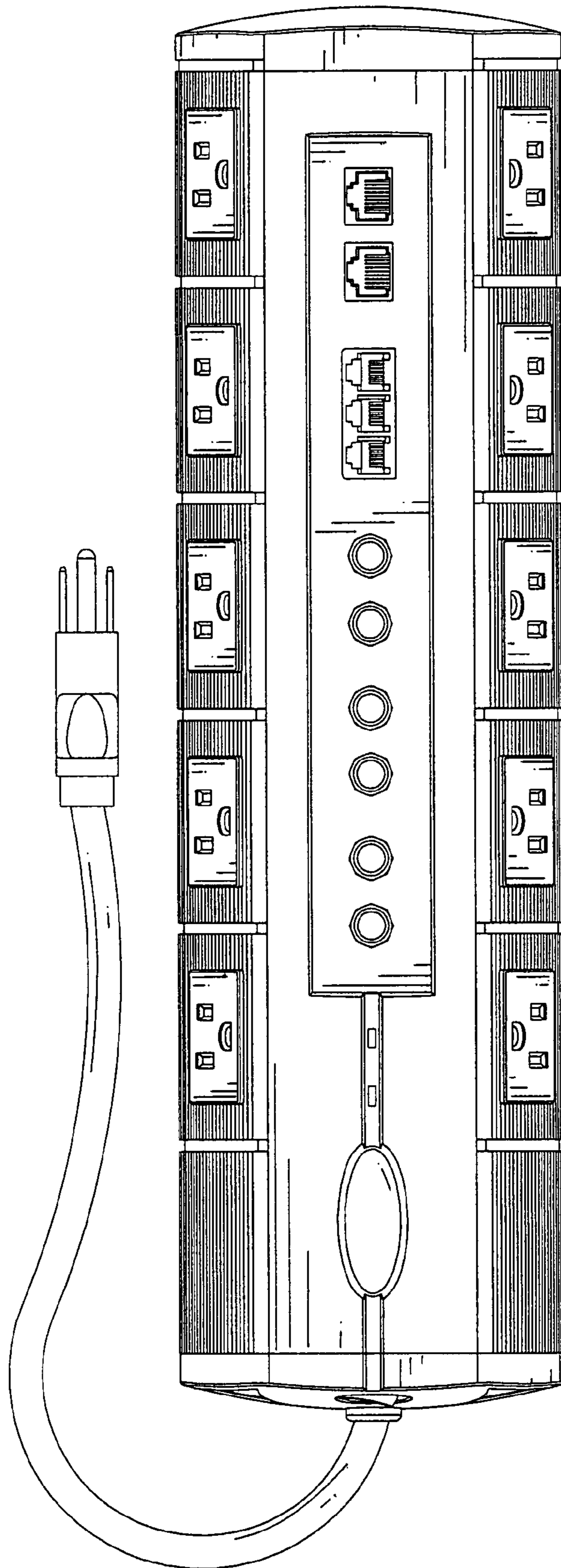


FIG. 6

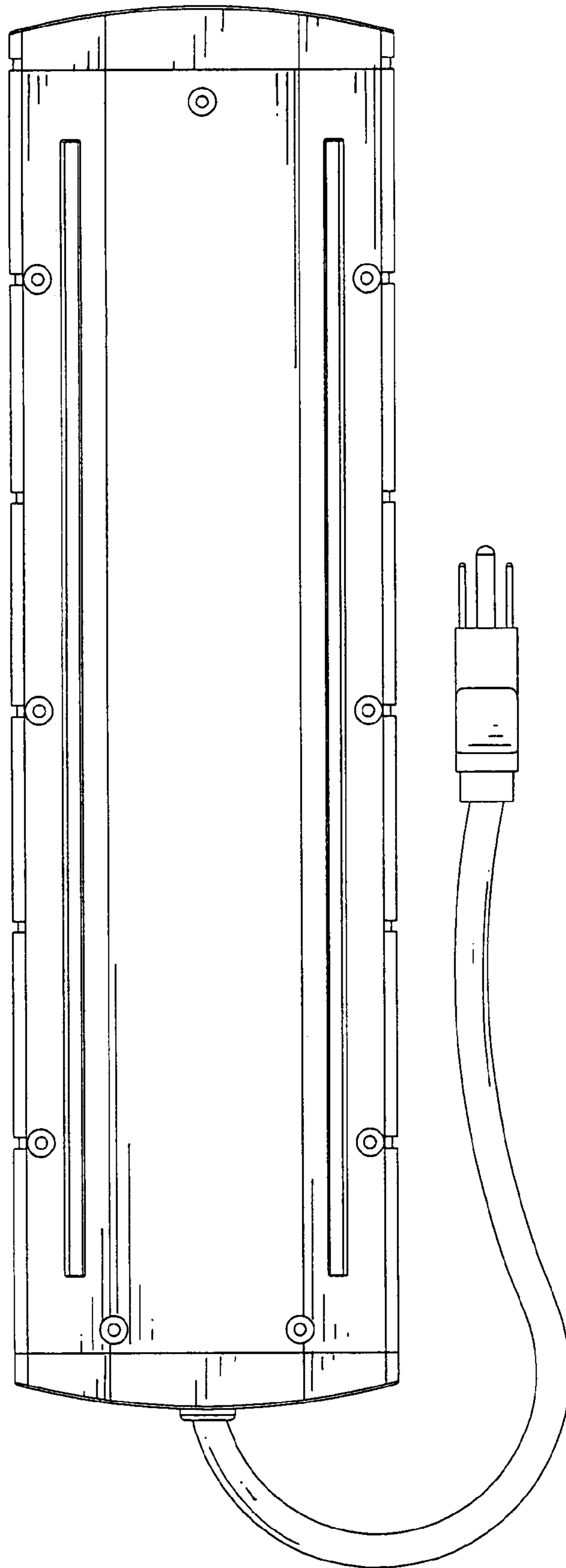


FIG. 7